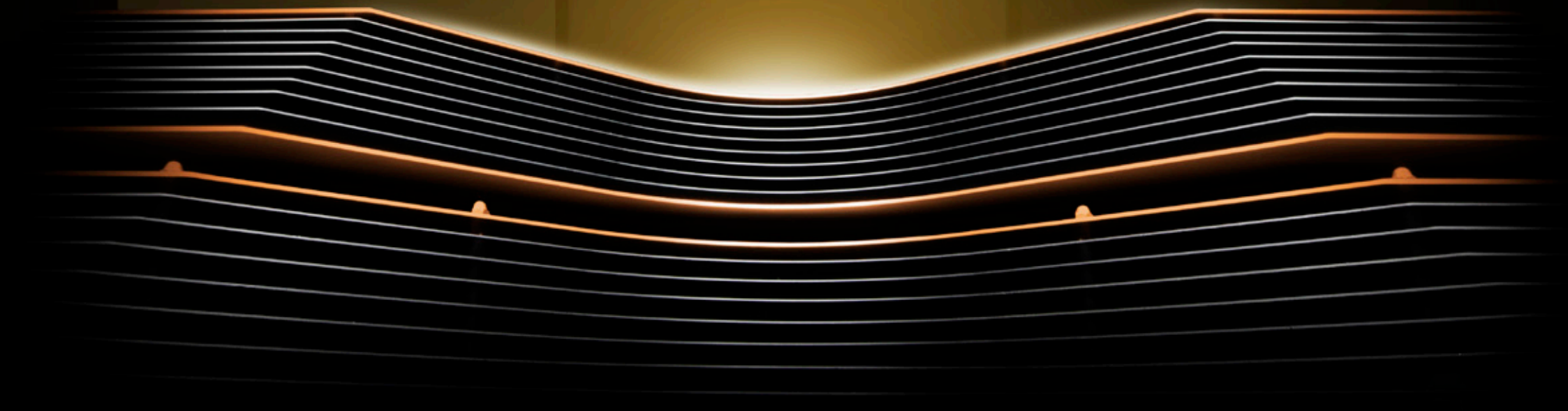


*Pioneer*

**PROFESSIONAL AUDIO**  
**GS-WAVE AND XY SERIES**

**SONIC  
IMMERSION**



## ORIGINS

---

Pioneer was founded in 1938 as a speaker manufacturer and we have focused on high quality sound ever since. Our consumer speakers and sub-brand TAD Labs' professional systems have delivered clear, powerful sound reproduction to generations of music lovers, theatregoers and producers all over the world.

## DEVELOPMENT TEAM

---

### GARY STEWART AND GARY STEWART AUDIO

We wanted to team up with a boutique sound genius to complement our R&D expertise and scale. So we established a partnership with the late, legendary Gary Stewart of Gary Stewart Audio (GSA), whose sound systems have moved clubbers all over the world for decades.

### PIONEER'S ALEX BARRAND

Veteran sound engineer Alex Barrand led the development of the Pioneer flagship club system. Barrand's experience includes updating Ministry of Sound London's sound system in 2008, a project that won IDMA Best Club Sound System Design awards for four consecutive years.

### POWERED BY POWERSOFT

The Pioneer Pro Audio team selected Powersoft K-Series DSP amplifiers with Armonia Pro Audio Suite™ software to power the new club system. The compact Powersoft K-Series combines industry leading energy efficiency, high power output, and advanced technologies for functionality and ease-of-use.

## NATURAL PROGRESSION

---

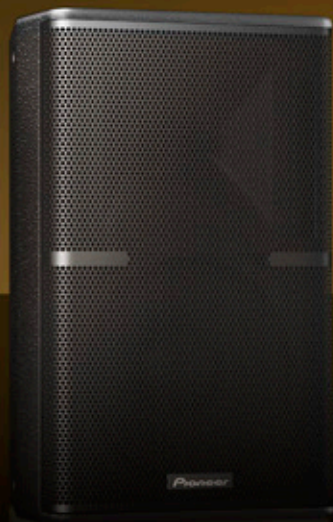
Pioneer DJ professional equipment has long been the lifeblood of DJ booths in Ibiza and around the world. We decided to combine Pioneer's heritage of sound reproduction with Pioneer DJ's unrivalled expertise in the dance music industry to offer a 360-degree club solution.



# SONIC IMMERSION

---

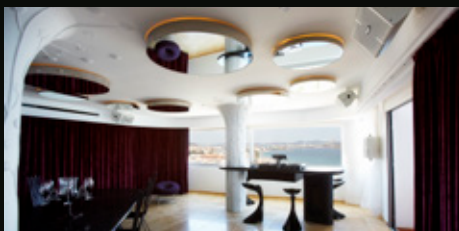
Our flagship club speaker system reproduces a sensory bass and a low to mid range that delivers a tight kick. This is balanced with a crystal clear high frequency response with wide dispersion. The result is the ultimate club speaker system, providing clubbers with a powerful, warm and immersive sound that galvanises the body to dance - without overwhelming the senses.





## CASE STUDY: USHUAÏA, IBIZA

Ushuaïa Tower chooses a Pioneer Pro Audio sound system for its prestigious presidential suite.



Ibiza's five-star party hotel Ushuaïa Tower needed a new sound system for its opulent, state-of-the-art, *I'm On Top Of The World* presidential suite. With guests able to book international DJs to perform in the suite, it needed a club-quality sound system with a powerful, deep bass – but where guests could talk comfortably too.

Working closely with the Ushuaïa team of architects and designers, Pioneer Pro Audio created a sound system that fitted this stylish, high-tech vision and looked as good as it sounded. The resulting speaker configuration comprised four Pioneer Pro Audio XY-81 8-inch two-way PA speakers and one XY-118 reflex loaded 18-inch subwoofer. An additional 8-inch PA monitor speaker was installed in the DJ booth.

The trapezoid shape of the 8-inch speakers meant they could be mounted close to the ceiling, horizontally, to keep the clean lines of the room. The system is powered by two Powersoft K3 amplifiers

with inbuilt DSP and Pioneer pre-sets loaded. Barrand used Smaart software from Rational Accoustics to time align the system perfectly to the room.

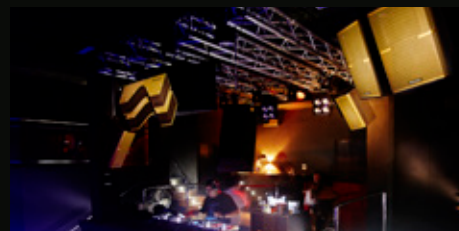
To complement the suite's contemporary design, all the speakers were custom-made in classic white and mounted using brackets provided by Pioneer Pro Audio.

**"The system is fit for a club; it delivers a clean, deep sound that's comfortable and warm at the same time. DJs are very happy to play here because it is such a unique place with the best equipment, and guests have given us amazing feedback. We wanted to take guests to another dimension in terms of lifestyle and technology, and Pioneer Pro Audio have helped us achieve that."**

**Danny Gomez**, brand ambassador for Ushuaïa, Palladium Hotel Group

## CASE STUDY: BOOOM! IBIZA

Booom! Ibiza specifies a bespoke Pioneer club sound system to take the island by storm.



Ibiza's hottest new club, Booom! Ibiza, was looking for a bespoke club sound system to epitomise the venue's ethos of high quality and excellent service. Booom wanted a powerful system with an immersive sound that would enable people to dance all night and hold comfortable conversations.

Having been "blown away" by the system at demonstration in Tokyo, the team commissioned Pioneer Pro Audio to design and install the system for the entire club: the dancefloor, DJ booth, bars and VIP areas.

Pioneer's Alex Barrand worked with Booom and local installers The Shop to design a bespoke sound system to deliver best-in-class sound. The team installed four three-metre-high GS-WAVE stacks in each corner of the dancefloor.

The stacks are balanced by the XY Series in-fill speakers, including four XY-122 12-inch monitors and a pair of XY-215S 15-inch quasi-bandpass subwoofers in the DJ booth. In-fill is supplied across the club by a further thirty-nine XY-122 speakers, ten XY-81 8-inch ultra compact loud speakers, and fifteen XY-118S 18-inch bass reflex subwoofers.

The whole system is powered by Powersoft K-Series amplifiers – seven K-6s, eleven K-2s and twenty-four K-3s – all with inbuilt DSP and Pioneer pre-sets.

**"There are some great sound systems out there. But I actually think Pioneer have made a better one: they've brought back a warmer, bassier sound, which gives you a hug rather than slapping you in the face. It's probably the best sound system in the world."**

**Giuseppe Cipriani**, owner, Booom! Ibiza

# GS-WAVE SERIES

A 3-metre high dancefloor stack with wide dispersion and a high SPL across a broad frequency range; delivers a powerful, warm sound that combines a resonant bass and tight chest kick with crystal clear high frequencies.



# WAV-SUB

Multi-fold hyperbolic horn subwoofer

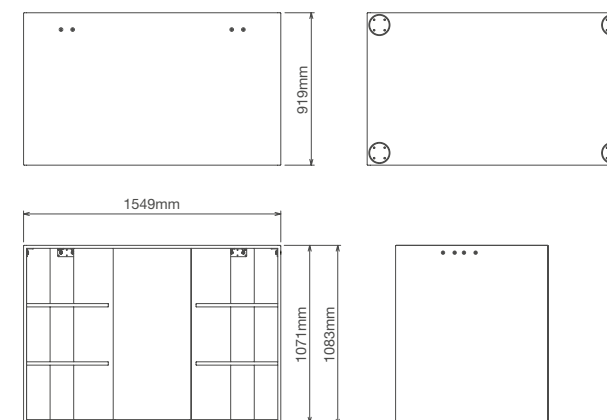


## FEATURES

- Hyperbolic subwoofer
- Dual 18 inch LF drivers
- 3 metre folded horn
- Robust polyurethane matt finish
- High SPL output
- 35 Hz to 300 Hz

## SPECIFICATION

|                       |   |
|-----------------------|---|
| Enclosure Type:       | Hyperbolic folded horn subwoofer              |
| Frequency Response:   | 35 Hz to 150 Hz                               |
| Sensitivity (1w/1m):  | 108 dB  |
| Nominal Impedance:    | 2 x 8 Ω                                       |
| Power Handling:       | 1600 W RMS, 3200 W program                    |
| Maximum SPL:          | 140 dB cont., 146 dB peak                     |
| Driver Configuration: | 2 x 18 inch (457 mm) ferrite LF drivers       |
| Connectors:           | 1 x Neutrik SpeakON™ NL4MPR                   |
| Dimensions (WxDxH):   | 1549 x 1083 x 919 mm (61 x 42.6 x 36.2 inch)  |
| Weight:               | 213 kg (469.7 lb)                             |
| Enclosure:            | 18 mm (0.7 inch) birch plywood                |
| Finish:               | Impact-resistant, black textured polyurethane |



# WAV-HORN

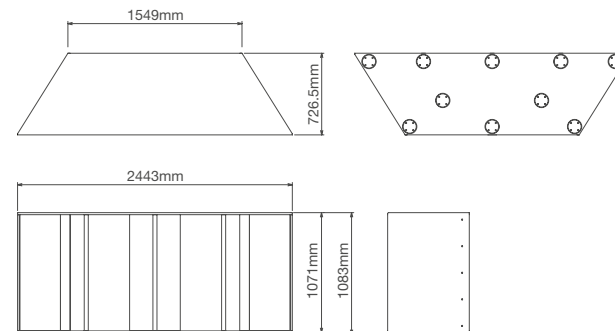
Large horn extension for WAV-SUB

## FEATURES

- Extension for WAV-SUB
- Delivers increased SPL

## SPECIFICATION

**Enclosure Type:** Extended horn for WAV-SUB  
**Sensitivity (1w/1m):** Increased sensitivity using a pair of WAV-SUB subwoofers (producing an extra 5 dB at 50 Hz)  
**Dimensions (WxDxH):** 2443 x 1083 x 726.5 mm (96.2 x 42.6 x 28.6 inch)  
**Weight:** 125 kg (275.6 lb)  
**Enclosure:** 18 mm (0.7 inch) birch plywood  
**Finish:** Impact-resistant, black textured polyurethane





# WAV-LOW

Dual 15 inch high-power upper bass box

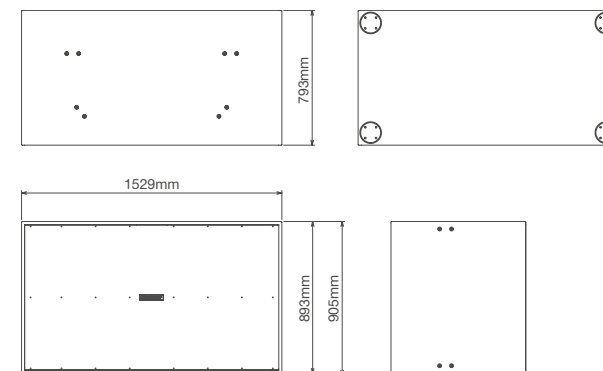


## FEATURES

- Low to mid frequency enclosure
- Rear-loaded transmission line design
- 2 x high-powered 15 inch drivers
- Reproduces low, tight and responsive bass

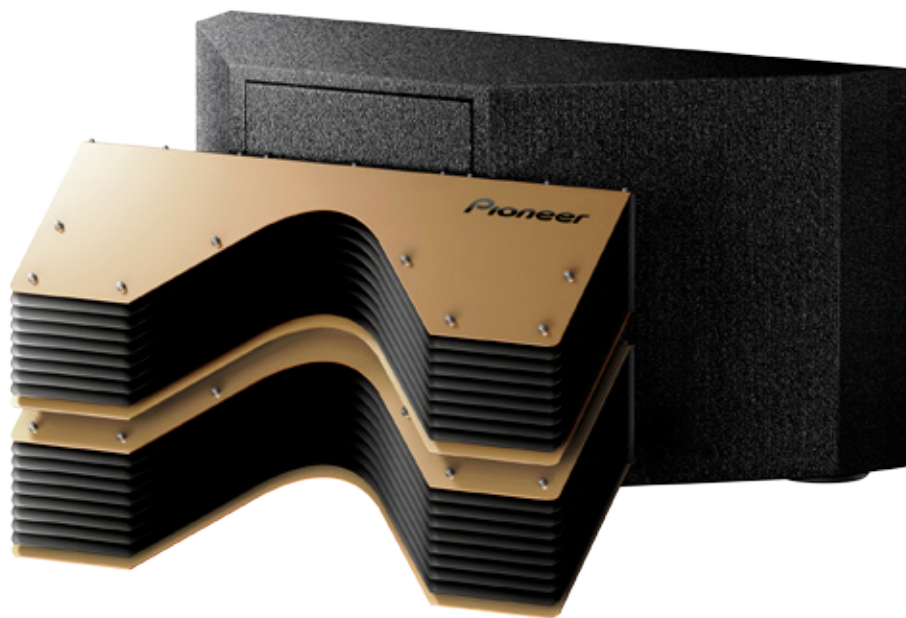
## SPECIFICATION

|                       |   |
|-----------------------|---|
| Enclosure Type:       | Back-loaded horn, low-mid box                 |
| Frequency Response:   | 50 Hz to 2 kHz                                |
| Sensitivity (1w/1m):  | 103 dB  |
| Nominal Impedance:    | 2 x 8 Ω                                       |
| Power Handling:       | 1200 W RMS, 2400 W program                    |
| Maximum SPL:          | 134 dB cont., 140 dB peak                     |
| Driver Configuration: | 2 x 15 inch (381 mm) ferrite LF drivers       |
| Connectors:           | 1 x Neutrik SpeakON™ NL4MPR                   |
| Dimensions (WxDxH):   | 1529 x 905 x 793 mm (60.2 x 35.6 x 31.2 inch) |
| Weight:               | 179 kg (394.7 lb)                             |
| Enclosure:            | 18 mm (0.7 inch) birch plywood                |
| Finish:               | Impact-resistant, black textured polyurethane |



# WAV-LENS

Acoustic Lens with coaxial compression drivers

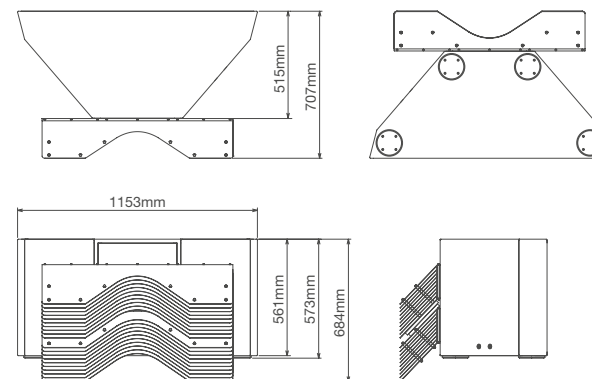


## FEATURES

- Mid-high to high frequency response range
- 2 x coaxial neodymium compression drivers
- Delivers a wide even dispersion
- Exclusive Pioneer horn design
- The lens array helps reduce fatigue of audience area
- Easy adjustment design enables perfect alignment

## SPECIFICATION

|                              |   |
|------------------------------|---|
| <b>Enclosure Type:</b>       | Mid-high box with Acoustic Lens   |
| <b>Frequency Response:</b>   | MF: 1 kHz to 6 kHz/HF: 6 kHz to 16 kHz  |
| <b>Sensitivity (1w/1m):</b>  | MF: 115 dB/HF: 113 dB   |
| <b>Nominal Impedance:</b>    | MF: 4 Ω/HF: 4 Ω   |
| <b>Power Handling:</b>       | MF: 250 W RMS, 500 W program<br>HF: 160 W RMS, 320 W program  |
| <b>Maximum SPL:</b>          | MF: 139 dB cont., 145 dB peak<br>HF: 135 dB cont., 145 dB peak  |
| <b>Dispersion:</b>           | 110°H x 50°V<br>(variable range of the lens in the vertical direction: 20°)                                 |
| <b>Driver Configuration:</b> | 2 x 2 inch (51 mm) exit coaxial neodymium compression drivers   |
| <b>Connectors:</b>           | 1 x Neutrik SpeakON™ NL4MPR   |
| <b>Dimensions (WxDxH):</b>   | Cabinet: 1153 x 573 x 515 mm (45.4 x 22.6 x 20.3 inch)<br>Depth incl. the acoustic lens: 707 mm (27.8 inch) |
| <b>Weight:</b>               | 71 kg (156.6 lb) with the Acoustic Lens   |
| <b>Enclosure:</b>            | 18 mm (0.7 inch) birch plywood  |
| <b>Finish:</b>               | Impact-resistant, black textured polyurethane   |



# WAV-TWPOD

Omnidirectional super tweeter pod

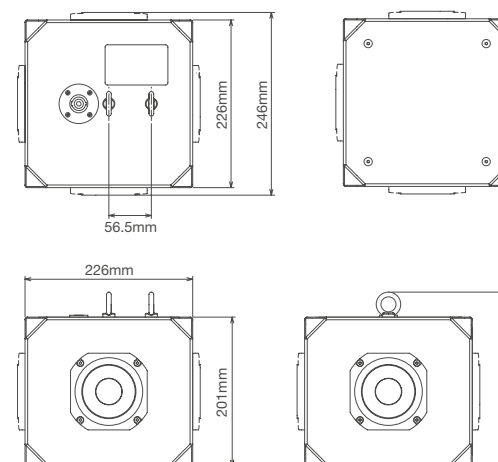


## FEATURES

- Super tweeter pod
- Reproduces UHF from overhead
- Expands the depth of the system

## SPECIFICATION

|                       |   |
|-----------------------|---|
| Enclosure Type:       | Omnidirectional tweeter array                                       |
| Frequency Response:   | 5 kHz to 20 kHz   |
| Sensitivity (1w/1m):  | 100 dB  |
| Nominal Impedance:    | 8 Ω   |
| Power Handling:       | 100 W RMS, 200 W program  |
| Maximum SPL:          | 120 dB cont., 126 dB peak   |
| Dispersion:           | Omnidirectional   |
| Driver Configuration: | 4 x 1.5 inch (38 mm) exit ferrite compression bullet tweeters       |
| Connectors:           | 1 x Neutrik SpeakON™ NL4MPR   |
| Dimensions (WxDxH):   | 226 x 201 x 226 mm<br>(8.9 x 7.9 x 8.9 inch) not including eyebolts |
| Weight:               | 10 kg (22 lb)   |
| Enclosure:            | 18 mm (0.7 inch) birch plywood                                      |
| Finish:               | Impact-resistant, black textured polyurethane                       |



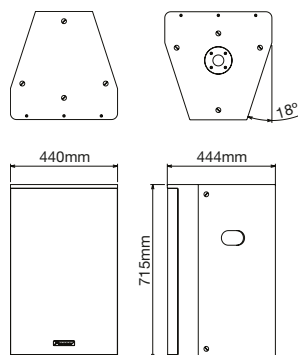
# XY SERIES

A versatile speaker system designed to deliver incredible sound quality and durability. Perfect for near-field monitoring, yet delivers high quality sound to every corner of the room.



# XY-152

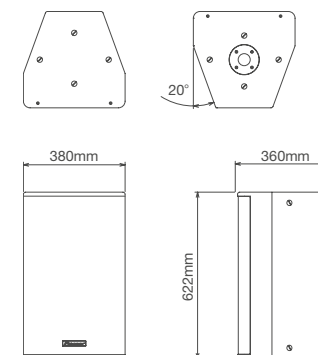
15 inch two-way loudspeaker



Available in

# XY-122

12 inch two-way loudspeaker



Available in

## FEATURES

- Two-way full range enclosure
- 15 inch neodymium LF driver
- 1.4 inch neodymium compression driver
- User rotatable waveguide
- High output and even response
- Asymmetric passive crossover network

- Robust multi-laminated birch ply construction
- Flush handles
- Wide range of fixing options and dual cluster plates
- 35 mm polemount
- Available in black or white

## SPECIFICATION

**Enclosure Type:** Two-way passive, reflex-loaded  
**Frequency Response:** 50 Hz to 20 kHz  
**Sensitivity (1w/1m):** 98 dB  
**Nominal Impedance:** 8 Ω  
**Power Handling:** 650 W RMS, 1300 W program  
**Maximum SPL:** 126 dB cont., 132 dB peak  
**Dispersion:** 90°H x 60°V, Rotatable  
**Driver Configuration:** 15 inch (380 mm) neodymium LF cone driver, 1.4 inch (36 mm) exit neodymium HF compression driver  
**Crossover:** Asymmetric internal passive crossover  
**Connectors:** 2 x Neutrik SpeakON™ NL4MP  
**Power Amplifier:** Recommended: K3D5P  
 Minimum: M30DHDS

**Dimensions (WxDxH):** 440 x 715 x 444 mm  
 (17.3 x 28.1 x 17.5 inch)  
**Weight:** 29 kg (63.9 lb)  
**Rigging and Hardware:** 8 x M10 threaded mounting points (4 top/4 bottom), 3 x M10 threaded mounting points on rear, 4 x M10 threaded mounting points on side (2 left/2 right), 4 x M8 threaded points on rear (for wall mount bracket), 2 x flush handles (1 left/1 right), 1 x 35 mm polemount socket  
**Grille:** Hex punched steel  
**Enclosure:** 15 mm (0.6 inch) birch plywood  
**Finish:** Impact-resistant, black semi-matt textured  
**Accessories:** Polemount socket cover (-W model only)

## FEATURES

- Two-way full range enclosure
- 12 inch neodymium LF driver
- 1.4 inch neodymium compression driver
- Wide dispersion 60 x 90 degree constant directivity horn
- User rotatable waveguide
- High output and even response

- Asymmetric passive crossover network
- Robust multi-laminated birch ply construction
- Wide range of fixing options and dual cluster plates
- 35 mm polemount
- Available in black or white

## SPECIFICATION

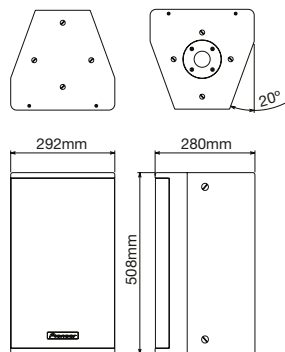
**Enclosure Type:** Two-way passive, reflex-loaded  
**Frequency Response:** 70 Hz to 20 kHz  
**Sensitivity (1w/1m):** 101 dB  
**Nominal Impedance:** 8 Ω  
**Power Handling:** 400 W RMS, 800 W program  
**Maximum SPL:** 127 dB cont., 133 dB peak  
**Dispersion:** 90°H x 60°V, Rotatable  
**Driver Configuration:** 12 inch (305 mm) neodymium LF cone driver, 1.4 inch (36 mm) exit neodymium HF compression driver  
**Crossover:** Asymmetric internal passive crossover  
**Connectors:** 2 x Neutrik SpeakON™ NL4MP

**Dimensions (WxDxH):** 380 x 622 x 360 mm  
 (15 x 24.5 x 14.2 inch)  
**Weight:** 23 kg (50.7 lb)  
**Rigging and Hardware:** 8 x M10 threaded mounting points (4 top/4 bottom), 2 x M10 threaded mounting points on rear, 4 x M10 threaded mounting points on side (2 left/2 right), 4 x M8 threaded points on rear (for wall mount bracket), 1 x flush handle on rear, 1 x 35 mm polemount socket  
**Grille:** Hex punched steel  
**Enclosure:** 15 mm (0.6 inch) birch plywood  
**Finish:** Impact-resistant, black semi-matt textured

XY SERIES

# XY-101

10 inch two-way loudspeaker



## FEATURES

Available in

- Two-way full range enclosure
- 10 inch LF neodymium driver
- 1 inch neodymium compression driver
- Wide dispersion 60 x 90 degree constant directivity horn
- User rotatable waveguide
- High output for its compact size

- Asymmetric passive crossover network
- Robust multi-laminated birch ply construction
- Wide range of fixing options
- 35 mm polemount
- Available in black or white

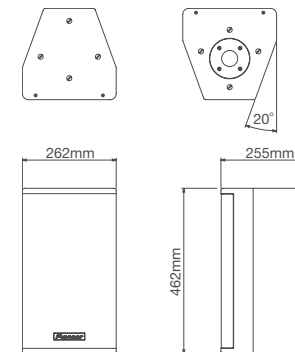
## SPECIFICATION

**Enclosure Type:** Two-way passive, reflex-loaded  
**Frequency Response:** 70 Hz to 20 kHz  
**Sensitivity (1w/1m):** 94 dB  
**Nominal Impedance:** 8 Ω  
**Power Handling:** 400 W RMS, 800 W program  
**Maximum SPL:** 120 dB cont., 126 dB peak  
**Dispersion:** 90°H x 60°V, Rotatable  
**Driver Configuration:** 10 inch (250 mm) neodymium LF cone driver, 1 inch (25 mm) exit neodymium HF compression driver  
**Crossover:** Asymmetric internal passive crossover  
**Connectors:** 2 x Neutrik SpeakON™ NL4  
**Power Amplifier:** Recommended: K2DSP  
 Minimum: M30DHDSP

**Dimensions (WxDxH):** 292 x 508 x 280 mm (11.5 x 20 x 11 inch)  
**Weight:** 14 kg (30.9 lb)  
**Rigging and Hardware:** 8 x M8 threaded mounting points (4 top/4 bottom), 3 x M8 threaded mounting points on rear, 4 x M8 threaded mounting points on side (2 left/2 right), 4 x M6 threaded points on rear (for wall mount bracket), 1 x flush handle on rear, 1 x 35 mm polemount socket  
**Grille:** Hex punched steel  
**Enclosure:** 15 mm (0.6 inch) birch plywood  
**Finish:** Impact-resistant, black semi-matt textured  
**Accessories:** Polemount socket cover (-W model only)

# XY-81

8 inch two-way full-range loudspeaker



## FEATURES

Available in

- Two-way full range enclosure
- 10 inch LF neodymium driver
- 1 inch neodymium compression driver
- Wide dispersion 60 x 90 constant directivity horn
- User rotatable waveguide
- High output for its compact size

- Asymmetric passive crossover network
- Robust multi-laminated birch ply-construction
- Wide range of fixing options
- 35 mm polemount
- Available in black or white

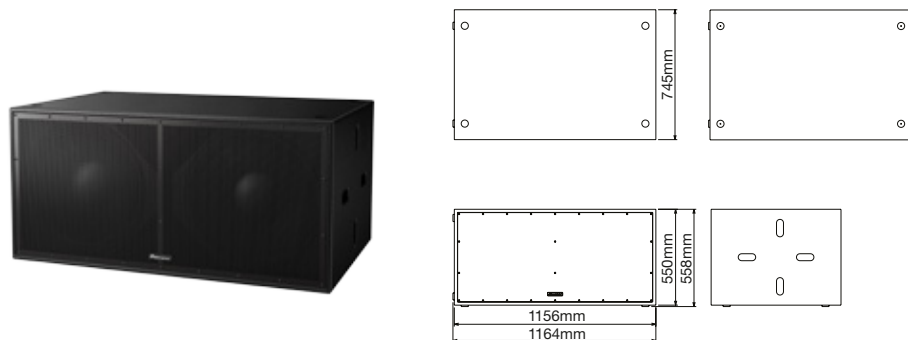
## SPECIFICATION

**Enclosure Type:** Two-way passive, reflex-loaded  
**Frequency Response:** 75 Hz to 20 kHz  
**Sensitivity (1w/1m):** 91 dB  
**Nominal Impedance:** 8 Ω  
**Power Handling:** 350 W RMS, 700 W program  
**Maximum SPL:** 116 dB cont., 122 dB peak  
**Dispersion:** 90°H x 60°V, Rotatable  
**Driver Configuration:** 8 inch (203 mm) ferrite LF cone driver, 1 inch (25 mm) exit neodymium HF compression driver  
**Crossover:** Asymmetric internal passive crossover  
**Connectors:** 2 x Neutrik SpeakON™ NL4MP

**Dimensions (WxDxH):** 262 x 462 x 255 mm (10.3 x 18.2 x 10 inch)  
**Weight:** 12 kg (26.5 lb)  
**Rigging and Hardware:** 8 x M8 threaded mounting points (4 top/4 bottom), 1 x M8 threaded mounting points on rear, 4 x M6 threaded points on rear (for wall mount bracket), 1 x flush handle on rear, 1 x 35 mm polemount socket  
**Grille:** Hex punched steel  
**Enclosure:** 15 mm (0.6 inch) birch plywood  
**Finish:** Impact-resistant, black semi-matt textured

# XY-218S

Reflex-loaded subwoofer with twin 18 inch drivers



## FEATURES

Available in

- High-power bass reflex subwoofer
- 2 x 18 inch LF drivers
- Highly rigid construction
- 8 x flush handles and castor location points
- Available in black or white

## SPECIFICATION

**Enclosure Type:** Dual driver, reflex-loaded subwoofer  
**Frequency Response:** 32 Hz to 150 kHz  
**Sensitivity (1w/1m):** 102 dB (half space)  
**Nominal Impedance:** 4 Ω  
**Power Handling:** 1600 W RMS, 3200 W program  
**Maximum SPL:** 134 dB cont., 140 dB peak  
**Driver Configuration:** 2 x 18 inch (460 mm) LF cone drivers  
**Connectors:** 2 x Neutrik SpeakON™ NL4  
**Power Amplifier:** Recommended: K6DSP

**Dimensions (WxDxH):** 1164 x 558 x 745 mm  
 (45.8 x 22 x 29.3 inch)  
**Weight:** 93 kg (205 lb)  
**Rigging and Hardware:** 8 x flush handles (4 left/4 right), 8 x rubber feet (bottom and left) and 4 x mating recesses (top), 16 x M8 holes with pre-inserted bolts for 4 x castors on rear  
**Grille:** Hex punched steel  
**Enclosure:** 18 mm (0.7 inch) birch plywood  
**Finish:** Impact-resistant, black semi-matt textured

# XY-118S

Bass reflex 18 inch subwoofer



## FEATURES

Available in

- High-power bass reflex subwoofer
- 18 inch LF driver
- Highly rigid construction
- 4 x flush handles and castor location points for ease of transport
- M20 threaded polemount
- Available in black or white

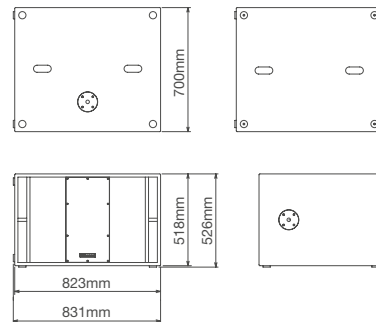
## SPECIFICATION

**Enclosure Type:** Single driver, reflex-loaded subwoofer  
**Frequency Response:** 35 Hz to 150 Hz  
**Sensitivity (1w/1m):** 97 dB  
**Nominal Impedance:** 8 Ω  
**Power Handling:** 1000 W RMS, 2000 W program  
**Maximum SPL:** 127 dB cont., 133 dB peak  
**Driver Configuration:** 18 inch (457 mm) ferrite LF cone driver  
**Connectors:** 2 x Neutrik SpeakON™ NL4MP  
**Dimensions (WxDxH):** 590 x 643 x 650 mm  
 (23.2 x 25.3 x 25.6 inch)

**Weight:** 52 kg (114.7 lb)  
**Rigging and Hardware:** 4 x flush handles (2 left/2 right), 1 x M20 polemount socket for mid/high enclosures, 4 x rubber feet (bottom) and 4 x mating recesses (top), 16 x M10 threaded points for 4 x castors on rear  
**Grille:** Hex punched steel  
**Enclosure:** 18 mm (0.7 inch) birch plywood  
**Finish:** Impact-resistant, black semi-matt textured

# XY-215S

Quasi-bandpass subwoofer with twin 15 inch drivers



## FEATURES

Available in

- Quasi-bandpass subwoofer
- 2 x 15 inch LF drivers
- Highly rigid construction
- 4 x flush handles and castor location points
- 2 x M20 thread polemounts
- Available in black or white

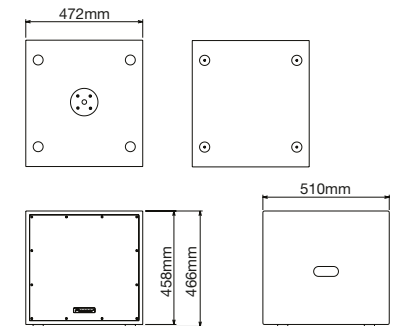
## SPECIFICATION

**Enclosure Type:** Dual driver, quasi-bandpass subwoofer  
**Frequency Response:** 42 Hz to 160 Hz  
**Sensitivity (1w/1m):** 102 dB  
**Nominal Impedance:** 4 Ω  
**Power Handling:** 800 W RMS, 1600 W program  
**Maximum SPL:** 131 dB cont., 137 dB peak  
**Driver Configuration:** 2 x 15 inch (381 mm) ferrite LF cone drivers  
**Connectors:** 2 x Neutrik SpeakON™ NL4MP  
**Dimensions (WxDxH):** 831 x 526 x 700 mm (32.7 x 20.7 x 27.6 inch)

**Weight:** 71 kg (156.6 lb)  
**Rigging and Hardware:** 4 x flush handles, 2 x M20 polemount sockets for mid/high enclosures, 8 x rubber feet (bottom and left) and 4 x mating recesses (top), 16 x M10 threaded points for 4 x castors on rear  
**Grille:** Hex punched steel  
**Enclosure:** 18 mm (0.7 inch) birch plywood  
**Finish:** Impact-resistant, black semi-matt textured

# XY-115S

15 inch bass reflex subwoofer



## FEATURES

Available in

- High-power subwoofer
- 15 inch LF driver
- Highly rigid construction
- Flush handles and castor location points
- M20 threaded polemount
- Available in black or white

## SPECIFICATION

**Enclosure Type:** Single driver, reflex-loaded subwoofer  
**Frequency Response:** 45 Hz to 150 Hz  
**Sensitivity (1w/1m):** 96 dB (half space)  
**Nominal Impedance:** 8 Ω  
**Power Handling:** 700 W RMS, 1400 W program  
**Maximum SPL:** 124 dB cont., 130 dB peak  
**Driver Configuration:** 15 inch (380 mm) neodymium LF cone driver  
**Connectors:** 2 x Neutrik SpeakON™ NL4  
**Power Amplifier:** Recommended: K3DSP  
**Dimensions (WxDxH):** 472 x 466 x 510 mm (18.6 x 18.3 x 20.1 inch)

**Weight:** 30 kg (66.1 lb)  
**Rigging and Hardware:** 2 x flush handles (1 left/1 right), 1 x M20 polemount socket for mid/high enclosures, 4 x rubber feet (bottom) and 4 x mating recesses (top)  
**Grille:** Hex punched steel  
**Enclosure:** 15 mm (0.6 inch) birch plywood  
**Finish:** Impact-resistant, black semi-matt textured  
**Accessories:** Polemount socket cover (-W model only)



# BRACKETS & MOUNTS

A selection of accessories for ease of installation and transportation



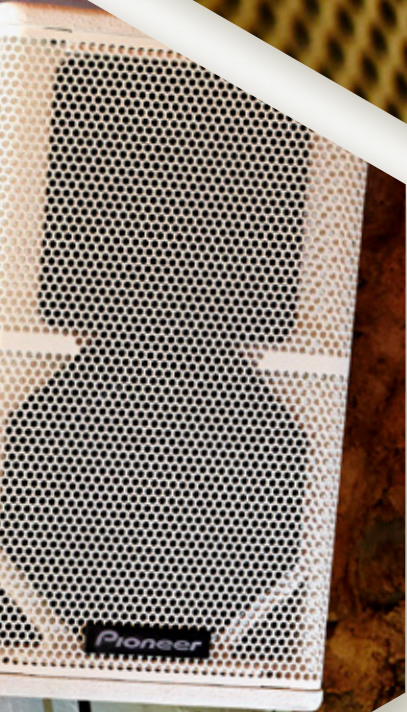
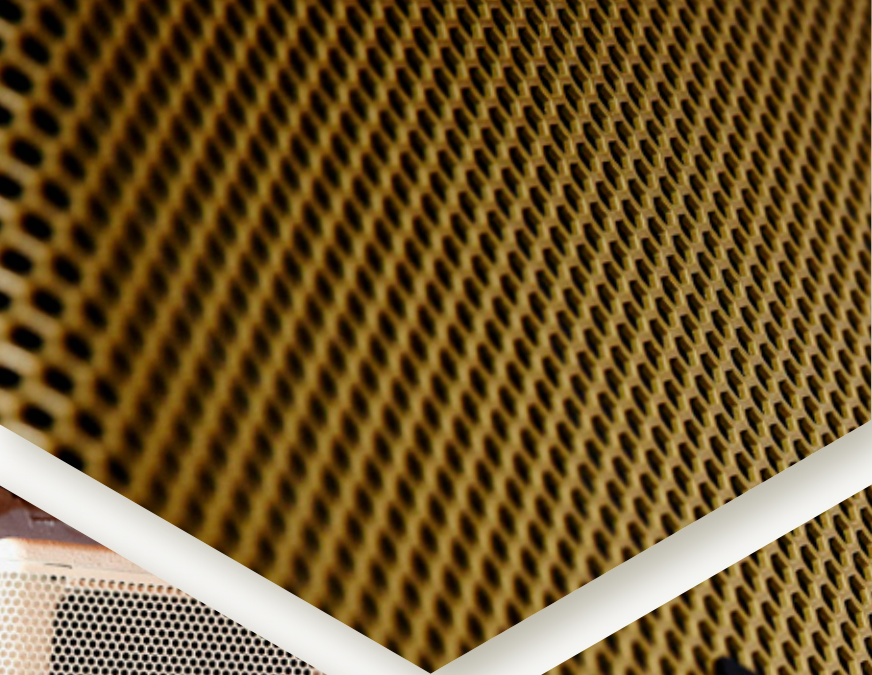
|        | VERTICAL FLYING CRADLE | HORIZONTAL FLYING CRADLE | VARIABLE ANGLE BRACKET | DUAL ENCLOSURE FLYING PLATE |
|--------|------------------------|--------------------------|------------------------|-----------------------------|
| XY-81  | CP-XY8VC1              | CP-XY8HC1                | (N/A)                  | (N/A)                       |
| XY-101 | CP-XY10VC1             | CP-XY10HC1               | (N/A)                  | (N/A)                       |
| XY-122 | CP-XY12VC1             | CP-XY12HC1               | CP-XY12AB1             | CP-XY12DF1                  |
| XY-152 | CP-XY15VC1             | CP-XY15HC1               | CP-XY15AB1             | CP-XY15DF1                  |



## XY CASTOR SET

Heavy-duty castors with excellent traction and stability.





# Pioneer

Specification and design are subject to change without notice.  
Due to colour reproduction in printing, the product colour may differ from the brochure.

Pioneer Europe N.V. Multimedia Division, Anteros Building, Odyssey Business Park,  
West End Road, South Ruislip, Middlesex, HA4 6QQ, UK Tel: +44 (0) 20 8836 3500

Pioneer Corporation

© 2014 PIONEER CORPORATION. All rights reserved.

For more information, call or write to:

Content current as of October 2014



PIONEERPROAUDIO

PIONEERPROAUDIO.COM