



S5.5-HCX-G1

WIRELESS MICROPHONE

The S5.5-HCX is a handheld wireless microphone. This features user-friendly operability, and employ an easy-to-read LCD display. Also, it is possible to perform the system settings through infrared communications.

Order no: S5.5-HCX-G1W
Alternative products: S5.3-HCX-B3, S5.3-HCX-C7, S5.3-HDX-B3, S5.3-HDX-C7, S4.04-HDX-EB, S4.10-HDX-EB, WM-5225 B01, WM-5225 C01, WM-5225 C07, WM-5225 D01, WM-5225 G01, WM-5225 H01, WM-5265 B01, WM-5265 C01, WM-5265 C07, WM-5265 D01, WM-5265 G01, WM-5265 H01, WM-5270 B01, WM-5270 C07, WM-5270 D01, WM-5270 G01, WM-5270 H01, WM-D5200 -C7, WM-D5200 -G1

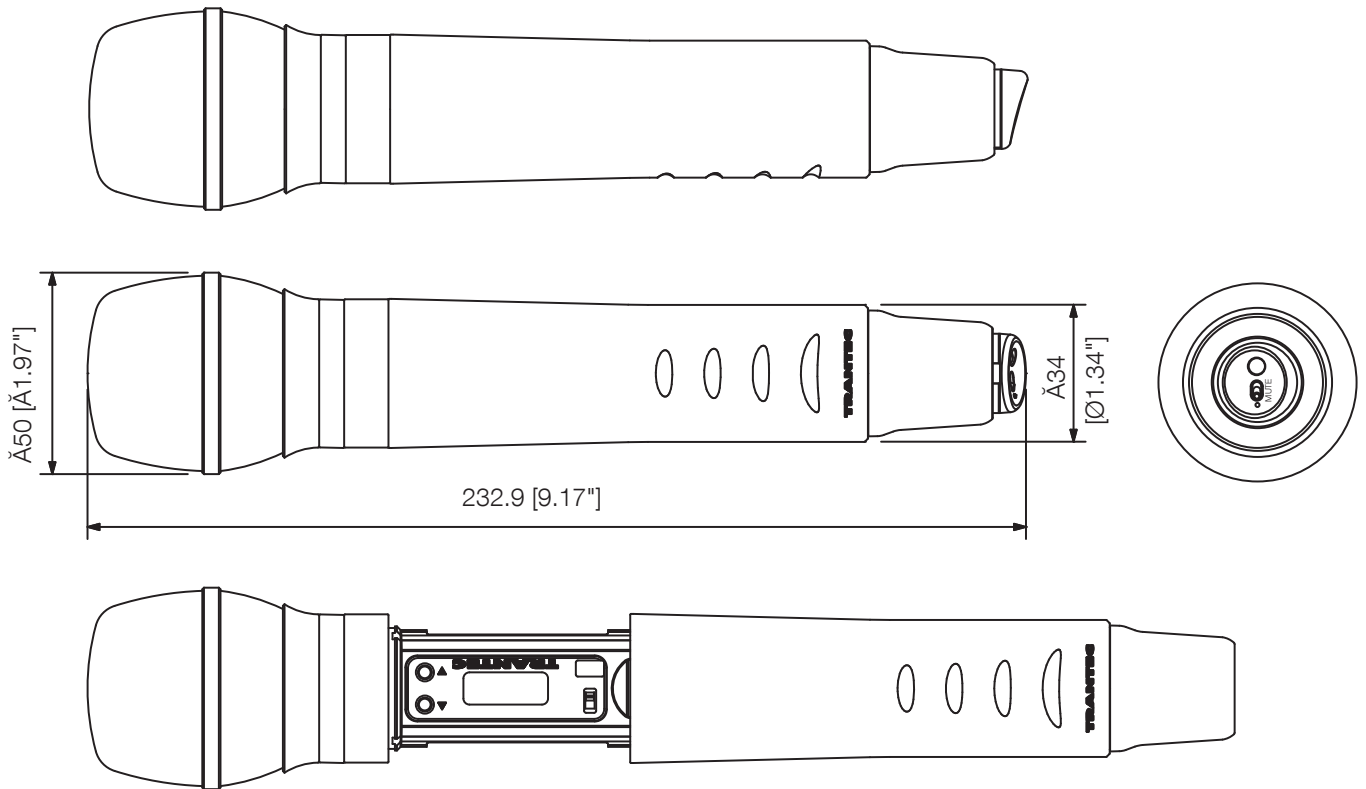
Specifications

Power source	Battery (1 AA size alkaline battery, 1.5 V)
Battery life	10 h
Type	Electret condenser
Directivity	Cardioid
Frequency range	606 - 638 MHz
Selectable frequencies	1281
Simultaneous channels	24
AF response	90 Hz - 20 kHz
RF output power	10 mW
Maximum SPL	142 dB
Dimensions (W x H x D)	x 232,9
Dimensions (ø x D)	50 x 232,9 mm
Finish	Metal, black
Operating temperature	-10°C ... +55°C

S5.5-HCX-G1

WIRELESS MICROPHONE

Appearance



UNIT:mm SCALE:1/2