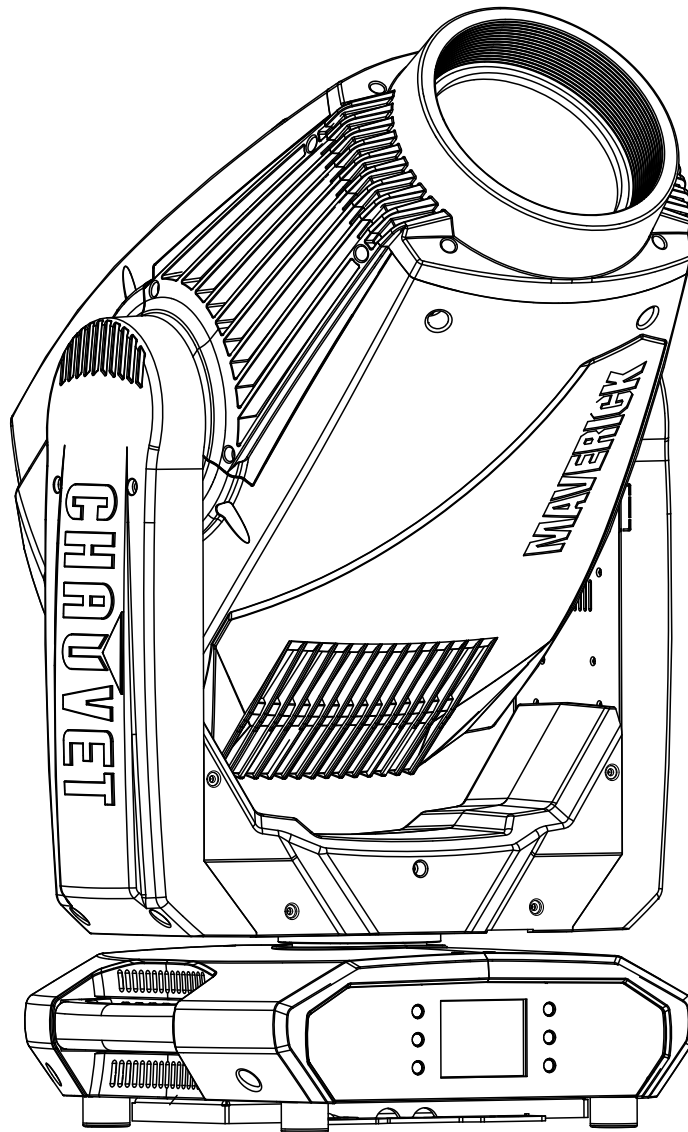


MAVERICK FORCE

3 PROFILE

Quick Reference Guide

English	EN
Español	ES
Français	FR
Deutsch	DE
Nederlands	NL



About This Guide

The Maverick Force 3 Profile Quick Reference Guide (QRG) has basic product information such as connection, mounting, menu options, and DMX values. Download the User Manual from www.chauvetprofessional.com for more details.

Disclaimer

The information and specifications contained in this QRG are subject to change without notice.

LIMITED WARRANTY

FOR WARRANTY REGISTRATION AND COMPLETE TERMS AND CONDITIONS PLEASE VISIT OUR WEBSITE.

For Customers in the United States and Mexico: www.chauvetlighting.com/warranty-registration.

For Customers in the United Kingdom, Republic of Ireland, Belgium, the Netherlands, Luxembourg, France, and Germany: www.chauvetlighting.eu/warranty-registration.

Chauvet warrants that this product shall be free from defects in material and workmanship under normal use, for the period specified in, and subject to the exclusions and limitations set forth in the full limited warranty on our website. This warranty extends only to the original purchaser of the product and is not transferable. To exercise rights under this warranty, you must provide proof of purchase in the form of an original sales receipt from an authorized dealer that shows the product name and date of purchase. THERE ARE NO OTHER EXPRESS OR IMPLIED WARRANTIES. This warranty gives you specific legal rights. You may also have other rights that vary from state to state and country to country. This warranty is valid only in the United States, United Kingdom, Republic of Ireland, Belgium, the Netherlands, Luxembourg, France, Germany and Mexico. For warranty terms in other countries, please consult your local distributor.

Safety Notes

These Safety Notes include important information about installation, use, and maintenance.

- DO NOT open this product. It contains no user-serviceable parts.
- DO NOT look at the light source when the product is on.
- CAUTION: Flashing light is known to trigger epileptic seizures. User must comply with local laws regarding notification of strobe use.
- To eliminate unnecessary wear and improve its lifespan, during periods of non-use completely disconnect the product from power via breaker or by unplugging it.
- CAUTION: When transferring product from extreme temperature environments, (e.g. cold truck to warm humid ballroom) condensation may form on the internal electronics of the product. To avoid causing a failure, allow product to fully acclimate to the surrounding environment before connecting it to power.
- CAUTION: This product's housing may be hot when lights are operating.
- Mount this product in a location with adequate ventilation, at least 20 in (50 cm) from adjacent surfaces.
- DO NOT leave any flammable material within 50 cm of this product while operating or connected to power.
- USE a safety cable when mounting this product overhead.
- DO NOT operate this product outdoors or in any location where dust, excessive heat, water, or humidity may affect it. (IP20)
- DO NOT operate this product if the housing, lenses, or cables appear damaged.
- DO NOT connect this product to a dimmer or rheostat.
- ONLY connect this product to a grounded and protected circuit.
- ONLY use the hanging/mounting bracket or the handles to carry this product.
- In the event of a serious operating problem, stop using immediately.
- The maximum ambient temperature is 113 °F (45 °C). Do not operate this product at higher temperatures.

FCC Compliance

This device complies with Part 15 Part B of the FCC Rules. Operation is subject to the following two conditions:

1. This device may not cause harmful interference, and
2. This device must accept any interference received, including interference that may cause undesired operation.

Any changes or modifications not expressly approved by the party responsible for compliance could void the user's authority to operate the equipment.

RF Exposure Warning for North America, and Australia

Warning! This equipment complies with FCC radiation exposure limits set forth for an uncontrolled environment. This equipment should be installed and operated with a minimum distance of 20cm between the radiator and your body. This transmitter must not be co-located or operating in conjunction with any other antenna or transmitter.

Contact

Outside the U.S., U.K., Ireland, Benelux, France, Germany, or Mexico, contact your distributor to request support or return a product. Refer to [Contact Us](#) at the end of this QRG for contact information.

What is Included

- Maverick Force 3 Profile
- Seetronic Powerkon IP65 power cord
- 2 Omega brackets with mounting hardware
- Quick Reference Guide

AC Power

This product has an auto-ranging power supply that can work with an input voltage range of 100–240 VAC, 50/60 Hz.

AC Plug

Connection	Wire (U.S.)	Wire (Europe)	Screw Color
AC Live	Black	Brown	Yellow/Brass
AC Neutral	White	Blue	Silver
AC Ground	Green/Yellow	Green/Yellow	Green



To eliminate unnecessary wear and improve its lifespan, during periods of non-use completely disconnect the product from power via breaker or by unplugging it.

Replacing the Fuse

1. Disconnect the product from power.
2. Using a flat head screwdriver, unscrew the fuse holder cap from the housing.
3. Remove blown fuse and replace with a good fuse of the same type and rating.
4. Screw the fuse holder cap back in place and reconnect power.

DMX Linking

The Maverick Force 3 Profile will work with a DMX controller using a 3- or 5-pin DMX serial connection or a wireless DMX connection. A DMX Primer is available from www.chauvetprofessional.com.

DMX Connection

The Maverick Force 3 Profile uses a 3- or 5-pin DMX data connection or a wireless DMX connection for its DMX personalities: **38Ch** and **54Ch**. See the User Manual for information about connecting and configuring the product for DMX operation.

RDM (Remote Device Management)

Remote Device Management, or RDM, is a standard for allowing DMX-enabled devices to communicate bi-directionally along existing DMX cabling. Check the DMX controller's User Manual or with the manufacturer, as not all DMX controllers have this capability. The Maverick Force 3 Profile supports RDM protocol that allows feedback to make changes to menu map options. Download the User Manual from www.chauvetprofessional.com for more details.

Signal Connection

The Maverick Force 3 Profile can link to controller software using an Ethernet connection. If using other Art-Net™ or sACN-compatible products with the Maverick Force 3 Profile, you can control each individually on a single network. See the User Manual for information about how to connect and configure the product for these signals.

Art-Net™ Connection

Art-Net™ is an Ethernet protocol that uses TCP/IP which transfers a large amount of DMX512 data using a Neutrik® etherCON® RJ45 connection over a large network. An Art-Net™ protocol document is available from www.chauvetprofessional.com. Chauvet Professional recommends using unicast Art-Net™ for best results. Art-Net™ designed by and copyright Artistic Licence Holdings Ltd.

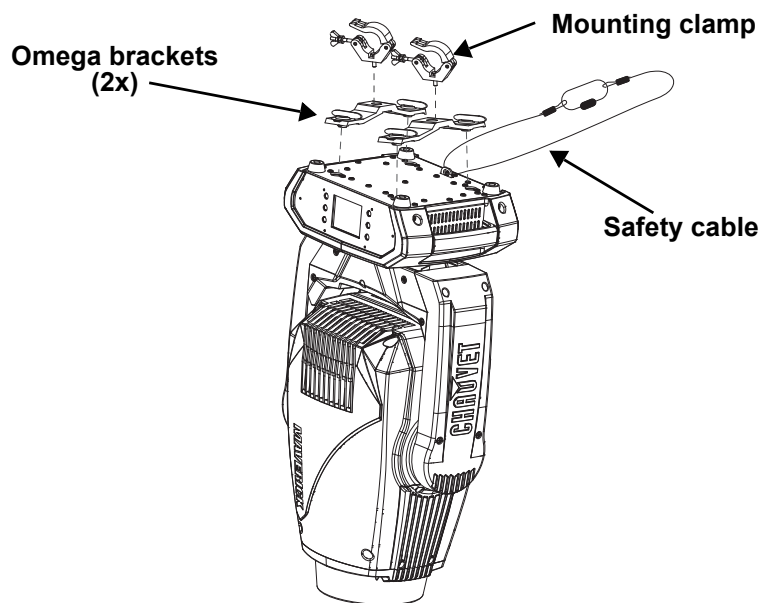
sACN Connection

Also known as ANSI E1.31, Streaming-ACN is an Ethernet protocol that uses the layering and formatting of Architecture for Control Networks to transport DMX512 data over IP or any other ACN compatible network.

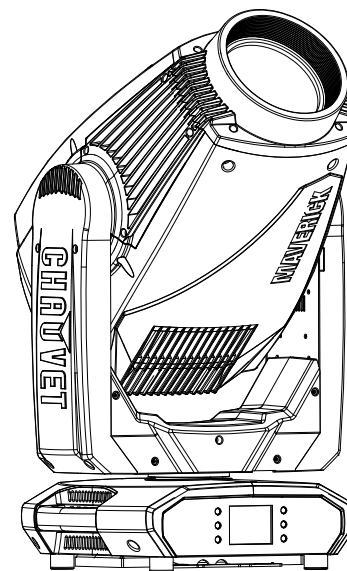
Mounting

Before mounting this product, read the [Safety Notes](#). Use at least two mounting points per product. Make sure the mounting clamps are capable of supporting the weight of the product. For our Chauvet line of mounting clamps, go to <http://trusst.com/productcategory/truss-clamps/>.

Mounting Diagram



Overhead Mounting



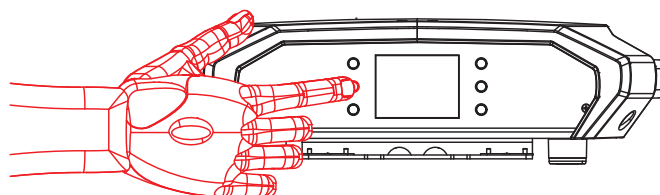
Floor Mounting

Control Panel Description

Button	Name	Function
< ↑ >	<UP>	Navigates upwards through the menu list or increases the numeric value when in a function
< ≡ >	<MENU>	Exits from the current menu or function
< ↓ >	<DOWN>	Navigates downwards through the menu list or decreases the numeric value when in a function
< ← >	<LEFT>	Navigates leftwards through the menu list
< ↵ >	<ENTER>	Enables the currently displayed menu or sets the currently selected value into the selected function
< → >	<RIGHT>	Navigates rightwards through the menu list

Battery-Powered Display

Press and hold until menu screen appears (approximately 15 seconds).



Menu Map

Main Level	Programming Levels		Description
Address	001-512		Sets the starting address
Network Setup	IP Mode	Manual	Manually set IP address
		DHCP	Network sets IP address
		Static	Product sets IP address
	Universe	000-255 (Art-Net™) 001-256 (sACN)	Sets the universe
	Ip	002.243.075.222	Sets the IP address in Manual mode
	SubMask	255.000.000.000	Sets the Subnet Mask in Manual mode
Personality	Dmx Mode 38CH	NO	Selects the 38-channel mode
		YES	
	Dmx Mode 54CH	NO	Selects the 54-channel mode
		YES	
ControlMode	DMX	Sets the control protocol	
	WDMX		
	ArtNet		
Pan Reverse	NO	Normal pan	
	YES	Reversed pan	
Tilt Reverse	NO	Normal tilt	
	YES	Reversed tilt	
Screen Reverse	NO	Normal display	
	YES	Inverted display	
	AUTO	Automatic display orientation	
Pan Angle	540	540° pan range	
	360	360° pan range	
	180	180° pan range	
Tilt Angle	270	270° tilt range	
	180	180° tilt range	
	90	90° tilt range	
BL. O. P/T Move	NO	Do not black out while panning/tilting	
	YES	Blackout while panning/tilting	
BL. O. Color Move	NO	Do not black out while color wheel moving	
	YES	Blackout while color wheel moving	
BL. O. Gobo Move	NO	Do not black out while gobo wheels moving	
	YES	Blackout while gobo wheels moving	
Calibration	NO	Calibration disabled	
	YES	Calibration enabled	
Touchscreen Lock	NO	Touch screen enabled	
	YES	Touch screen disabled	
Lock Screen	NO	Lock the buttons and touch screen	
	YES	Passcode: 0923	
Swap XY	NO	Do not swap pan and tilt	
	YES	Pan controls tilt, tilt controls pan	
WDMX Reset	NO	Do not reset WDMX	
	YES	Reset WDMX	

Main Level	Programming Levels		Description
Settings (cont.)	Backlight Timer	30S	Display turns off after 30 seconds
		1M	Display turns off after 1 minute
		5M	Display turns off after 5 minutes
		ON	Display stays on
	Loss of Data	Hold	Holds last signal received
		Close	Blacks out fixture
	Fans	Auto	Fan speed according to product temperature
		Full	Fan speed set on high
		ECO	Quiet mode
		FANTV25	Maintains LED output up to an ambient temperature of 77 °F (25 °C) (FANTV25) or 95 °F (35 °C) (FANTV35).
	Fans	FANTV35	When using these fan modes, please set the PWM Options to 6000Hz or 15000Hz to prevent any possible harmonization noise.
		Linear	Set the dimmer curve
	Square		
	I Squa		
	SCurve		
	Linear2		
	PWM Option	600Hz	Sets the Pulse Width Modulation frequency
		1200Hz	
		4000Hz	
		6000Hz	
Preset Select	15000Hz	Recorded preset menu options	
	PRESET A		
	PRESET B		
Preset Sync	PRESET C	Allows recorded preset menu options to be transferred to other Maverick Force 3 Profile fixtures in the DMX daisy chain	
	NO		
USB Update	YES	Enables/disables updating by USB	
	NO		
Reset Function	Pan/Tilt	NO/YES	Reset individual functions or all functions from start-up
	Iris/Prism		
	Color/CMY/Blade		
	Gobo/Gobo Rotate		
	Frost/Animation		
Factory Settings	All	Reset to factory default settings	
	NO		
	YES		

Main Level	Programming Levels		Description
	Auto Test		Auto test all functions
Test	Manual Test	Pan	000-255 Manually control and test all settings through the control panel
		Pan Fine	
		Tilt	
		Tilt Fine	
		P/T Speed	
		Dimmer	
		Dimmer Fine	
		Shutter	
		Virtual Shaking	
		Cyan	
		Magenta	
		Yellow	
		CTO	
		Color	
		Gobo	
		Gobo Rotate	
		Gobo Index	
		Gobo2	
		Animation	
		Animation Rotate	
		Blade1- 1	
		Blade1- 1 Fine	
		Blade1- 2	
		Blade1- 2 Fine	
		Blade2- 1	
		Blade2- 1 Fine	
		Blade2- 2	
		Blade2- 2 Fine	
		Blade3- 1	
		Blade3- 1 Fine	
		Blade3- 2	
		Blade3- 2 Fine	
Blade4- 1			
Blade4- 1 Fine			
Blade4- 2			
Blade4- 2 Fine			
Blade Rotate			
Blade. Rota Fine			

Main Level	Programming Levels		Description	
Test (cont.)	Manual Test (cont.)	Focus	000–255 Manually control and test all settings through the control panel	
		Focus Fine		
		Focus Auto		
		Zoom		
		Zoom Fine		
		Prism		
		Prism Rotate		
		Prism2		
		Prism2 Rotate		
		Iris		
		Frost		
		Frost2		
		CRI Filter		
		CMY Macro		
		CMY Macro Speed		
Special Function				
Information	Fixture Information	Ver	V_	Shows firmware version
		Running Mode	---	Shows current running mode
		DMX Address	---	Shows current starting address
		Temperature	---	Shows current product temperature in °C
		Fixture Hours	-----	Shows number of hours product has been powered on
		Ip	-----	Shows current IP address
		SubMask	-----	Shows current Subnet Mask
		MAC	-----	Shows current MAC address
	Fan Information	head Fan1 Speed	----	Shows speed of head fans in rpm
		head Fan2 Speed		
		head Fan3 Speed		
		head Fan4 Speed		
		head Fan5 Speed		
		head Fan6 Speed		
	Error Information	-----		Shows any errors, or No Error!
		Channel Information	Frequency	---
	Pan			
	Pan Fine			
	Tilt			
	Tilt Fine			
	P/T Speed			
	Dimmer			
	Dimmer Fine			
Shutter				
Virtual Shaking				
Cyan				
Magenta				
Yellow				
CTO				
Color				

Main Level	Programming Levels		Description
Information (cont.)	Channel Information (cont.)	Gobo	--- Shows all current values from input signals, 000–255
		Gobo Rotate	
		Gobo Index	
		Gobo2	
		Animation	
		Animation Rotate	
		Blade1- 1	
		Blade1- 1 Fine	
		Blade1- 2	
		Blade1- 2 Fine	
		Blade2- 1	
		Blade2- 1 Fine	
		Blade2- 2	
		Blade2- 2 Fine	
		Blade3- 1	
		Blade3- 1 Fine	
		Blade3- 2	
		Blade3- 2 Fine	
		Blade4- 1	
		Blade4- 1 Fine	
		Blade4- 2	
		Blade4- 2 Fine	
		Blade Rotate	
		Blade. Rota Fine	
		Focus	
		Focus Fine	
		Focus Auto	
		Zoom	
		Zoom Fine	
		Prism	
		Prism Rotate	
		Prism2	
		Prism2 Rotate	
Iris			
Frost			
Frost2			
CRI Filter			
CMY Macro			
CMY Macro Speed			
Special Function			

DMX Values
Dmx Mode 54CH

Channel	Function	Value	Percent/Setting
1	Pan	000 ⇄ 255	0–100%
2	Fine pan	000 ⇄ 255	Fine control (16-bit)
3	Tilt	000 ⇄ 255	0–100%
4	Fine tilt	000 ⇄ 255	Fine control (16-bit)
5	Pan/tilt speed	000 ⇄ 255	Fast to slow
6	Dimmer	000 ⇄ 255	0–100%
7	Fine dimmer	000 ⇄ 255	Fine control (16-bit)
8	Shutter	000 ⇄ 003	Closed
		004 ⇄ 007	Open
		008 ⇄ 076	Synchronized strobe, slow to fast
		077 ⇄ 145	Pulse strobe, slow to fast
		146 ⇄ 215	Random strobe, slow to fast
9	Virtual strobe	216 ⇄ 255	Open
		000 ⇄ 001	No function
		002 ⇄ 128	Shaking strobe, slow to fast
		129 ⇄ 255	Fading shake, slow to fast
		000 ⇄ 255	0–100%
10	Cyan	000 ⇄ 255	0–100%
11	Magenta	000 ⇄ 255	0–100%
12	Yellow	000 ⇄ 255	0–100%
13	CTO	000 ⇄ 255	0–100%
14	Color wheel	000 ⇄ 007	Open
		008 ⇄ 015	Red
		016 ⇄ 023	Orange
		024 ⇄ 031	Green
		032 ⇄ 039	Yellow
		040 ⇄ 047	Dark blue
		048 ⇄ 059	8000K CTB
		060 ⇄ 187	Color wheel indexing
		188 ⇄ 219	Color scroll, fast to slow
		220 ⇄ 223	Stop
224 ⇄ 255	Reverse color scroll, slow to fast		
15	Gobo wheel 1 (rotating) (see Gobo Designs)	000 ⇄ 007	Open
		008 ⇄ 015	Gobo 1 (sail boats)
		016 ⇄ 023	Gobo 2 (radial dot)
		024 ⇄ 031	Gobo 3 (mover blade)
		032 ⇄ 039	Gobo 4 (bolts)
		040 ⇄ 047	Gobo 5 (shower glass)
		048 ⇄ 055	Gobo 6 (ballistic clouds)
		056 ⇄ 063	Gobo 7 (four eyes)
		064 ⇄ 071	Gobo 7 shaking
		072 ⇄ 079	Gobo 6 shaking
		080 ⇄ 087	Gobo 5 shaking
		088 ⇄ 095	Gobo 4 shaking
		096 ⇄ 103	Gobo 3 shaking
		104 ⇄ 111	Gobo 2 shaking
		112 ⇄ 119	Gobo 1 shaking
		120 ⇄ 127	Open
		128 ⇄ 191	Gobo scroll, slow to fast
		192 ⇄ 255	Reverse gobo scroll, slow to fast

Channel	Function	Value	Percent/Setting
16	Gobo 1 rotation	000 ⇄ 063	Rotating gobo index
		064 ⇄ 145	Gobo rotation, fast to slow
		146 ⇄ 149	Stop
		150 ⇄ 231	Reverse gobo rotation, slow to fast
		232 ⇄ 255	Bounce effect, short to long
17	Gobo wheel 1 indexing	000 ⇄ 255	Fine control (16-bit)
18	Gobo wheel 2 (static) (see Gobo Designs)	000 ⇄ 005	Open
		006 ⇄ 011	Gobo 1 (beam)
		012 ⇄ 017	Gobo 2 (bars)
		018 ⇄ 023	Gobo 3 (circles)
		024 ⇄ 029	Gobo 4 (breakup)
		030 ⇄ 035	Gobo 5 (dots)
		036 ⇄ 041	Gobo 6 (circuits)
		042 ⇄ 047	Gobo 7 (triangles)
		048 ⇄ 053	Gobo 8 (forest)
		054 ⇄ 063	Gobo 9 (rainbows)
		064 ⇄ 069	Gobo 9 shaking
		070 ⇄ 075	Gobo 8 shaking
		076 ⇄ 081	Gobo 7 shaking
		082 ⇄ 087	Gobo 6 shaking
		088 ⇄ 093	Gobo 5 shaking
		094 ⇄ 099	Gobo 4 shaking
		100 ⇄ 105	Gobo 3 shaking
		106 ⇄ 111	Gobo 2 shaking
		112 ⇄ 117	Gobo 1 shaking
118 ⇄ 127	Open		
128 ⇄ 191	Gobo scroll, slow to fast		
192 ⇄ 255	Reverse gobo scroll, slow to fast		
19	Animation wheel	000 ⇄ 255	Animation effect, 0–100%
20	Animation wheel rotation	000 ⇄ 124	Animation wheel rotation, fast to slow
		125 ⇄ 130	Stop
		131 ⇄ 255	Reverse animation wheel, slow to fast
21	Blade 1-1	000 ⇄ 255	0–100%
22	Blade 1-1 fine	000 ⇄ 255	Fine control (16-bit)
23	Blade 1-2	000 ⇄ 255	0–100%
24	Blade 1-2 fine	000 ⇄ 255	Fine control (16-bit)
25	Blade 2-1	000 ⇄ 255	0–100%
26	Blade 2-1 fine	000 ⇄ 255	Fine control (16-bit)
27	Blade 2-2	000 ⇄ 255	0–100%
28	Blade 2-2 fine	000 ⇄ 255	Fine control (16-bit)
29	Blade 3-1	000 ⇄ 255	0–100%
30	Blade 3-1 fine	000 ⇄ 255	Fine control (16-bit)
31	Blade 3-2	000 ⇄ 255	0–100%
32	Blade 3-2 fine	000 ⇄ 255	Fine control (16-bit)
33	Blade 4-1	000 ⇄ 255	0–100%
34	Blade 4-1 fine	000 ⇄ 255	Fine control (16-bit)
35	Blade 4-2	000 ⇄ 255	0–100%
36	Blade 4-2 fine	000 ⇄ 255	Fine control (16-bit)
37	Framing shutter rotation	000 ⇄ 255	0–100%
38	Framing shutter rotation fine	000 ⇄ 255	Fine control (16-bit)
39	Focus	000 ⇄ 255	0–100%
40	Fine focus	000 ⇄ 255	Fine control (16-bit)

Channel	Function	Value	Percent/Setting
41	Auto focus	000 ⇔ 010	No function
		011 ⇔ 030	0–5 m auto focus
		031 ⇔ 050	6 m auto focus
		051 ⇔ 070	7 m auto focus
		071 ⇔ 090	8 m auto focus
		091 ⇔ 110	9 m auto focus
		111 ⇔ 130	10 m auto focus
		131 ⇔ 150	12.5 m auto focus
		151 ⇔ 170	15 m auto focus
		171 ⇔ 190	17.5 m auto focus
		191 ⇔ 210	20–60 m auto focus
211 ⇔ 255	Auto-detect distance		
42	Zoom	000 ⇔ 255	0–100%
43	Fine zoom	000 ⇔ 255	Fine control (16-bit)
44	Prism	000 ⇔ 004	No function
		005 ⇔ 255	Prism effect
45	Prism rotation	000 ⇔ 127	Rotating prism index
		128 ⇔ 189	Prism rotation, fast to slow
		190 ⇔ 193	Stop
		194 ⇔ 255	Reverse prism rotation, slow to fast
46	Prism 2	000 ⇔ 004	No function
		005 ⇔ 255	Prism effect
47	Prism 2 rotation	000 ⇔ 127	Rotating prism index
		128 ⇔ 189	Prism rotation, fast to slow
		190 ⇔ 193	Stop
		194 ⇔ 255	Reverse prism rotation, slow to fast
48	Iris	000 ⇔ 063	Large to small
		064 ⇔ 127	Auto change, slow to fast
		128 ⇔ 191	Slow expand, fast shrink (slow to fast)
		192 ⇔ 255	Slow shrink, fast expand (slow to fast)
49	Frost 1	000 ⇔ 255	0–100%
50	Frost 2	000 ⇔ 255	0–100%
51	CRI filter	000 ⇔ 004	No function
		005 ⇔ 255	CRI filter
52	CMY macro	000 ⇔ 009	No function
		010 ⇔ 255	CMY macro
53	CMY macro speed	000 ⇔ 255	CMY macro speed, fast to slow

Channel	Function	Value	Percent/Setting
54	Control	000 ⇔ 007	No function
		008 ⇔ 015	Pan tilt blackout
		016 ⇔ 023	Color blackout
		024 ⇔ 031	Gobo blackout
		032 ⇔ 039	Pan tilt/color blackout
		040 ⇔ 047	Pan tilt/gobo blackout
		048 ⇔ 055	Pan/tilt/color/gobo blackout
		056 ⇔ 095	No function
		096 ⇔ 103	Pan reset
		104 ⇔ 111	Tilt reset
		112 ⇔ 119	Color reset
		120 ⇔ 127	Gobo wheels and rotation reset
		128 ⇔ 135	No function
		136 ⇔ 143	Prisms reset
		144 ⇔ 151	Framing shutter reset
		152 ⇔ 159	All reset
		160 ⇔ 167	Iris reset
		168 ⇔ 175	Frost reset
		176 ⇔ 183	Zoom reset
		184 ⇔ 191	CMY reset
		192 ⇔ 199	Fan ECO mode
		200 ⇔ 207	Fan full speed
		208 ⇔ 215	Fan auto
		216 ⇔ 220	No function
		221 ⇔ 225	Iris fast mode
		226 ⇔ 230	Iris smooth mode
		231 ⇔ 235	Pan tilt swap on
		236 ⇔ 240	Pan tilt swap off
		241 ⇔ 246	FANTV25
		247 ⇔ 250	FANTV35
251 ⇔ 255	No function		

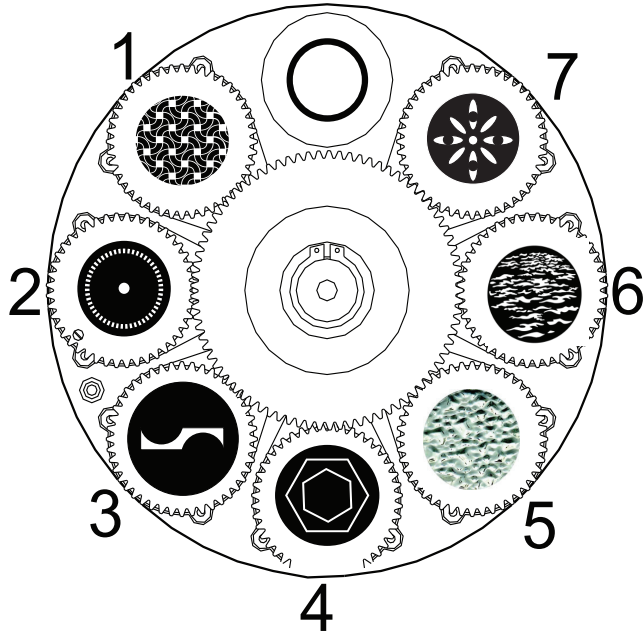
Dmx Mode 38CH

Channel	Function	Value	Percent/Setting
1	Pan	000 ⇔ 255	0–100%
2	Fine pan	000 ⇔ 255	Fine control (16-bit)
3	Tilt	000 ⇔ 255	0–100%
4	Fine tilt	000 ⇔ 255	Fine control (16-bit)
5	Pan/tilt speed	000 ⇔ 255	Fast to slow
6	Dimmer	000 ⇔ 255	0–100%
7	Shutter	000 ⇔ 003	Closed
		004 ⇔ 007	Open
		008 ⇔ 076	Synchronized strobe, slow to fast
		077 ⇔ 145	Pulse strobe, slow to fast
		146 ⇔ 215	Random strobe, slow to fast
		216 ⇔ 255	Open
8	Virtual strobe	000 ⇔ 001	No function
		002 ⇔ 128	Shaking strobe, slow to fast
		129 ⇔ 255	Fading shake, slow to fast
9	Cyan	000 ⇔ 255	0–100%
10	Magenta	000 ⇔ 255	0–100%
11	Yellow	000 ⇔ 255	0–100%
12	CTO	000 ⇔ 255	0–100%
13	Color wheel	000 ⇔ 007	Open
		008 ⇔ 015	Red
		016 ⇔ 023	Orange
		024 ⇔ 031	Green
		032 ⇔ 039	Yellow
		040 ⇔ 047	Dark blue
		048 ⇔ 059	8000K CTB
		060 ⇔ 187	Color wheel indexing
		188 ⇔ 219	Color scroll, fast to slow
		220 ⇔ 223	Stop
224 ⇔ 255	Reverse color scroll, slow to fast		
14	Gobo wheel 1 (rotating) (see Gobo Designs)	000 ⇔ 007	Open
		008 ⇔ 015	Gobo 1 (sail boats)
		016 ⇔ 023	Gobo 2 (radial dot)
		024 ⇔ 031	Gobo 3 (mover blade)
		032 ⇔ 039	Gobo 4 (bolts)
		040 ⇔ 047	Gobo 5 (shower glass)
		048 ⇔ 055	Gobo 6 (ballistic clouds)
		056 ⇔ 063	Gobo 7 (four eyes)
		064 ⇔ 071	Gobo 7 shaking
		072 ⇔ 079	Gobo 6 shaking
		080 ⇔ 087	Gobo 5 shaking
		088 ⇔ 095	Gobo 4 shaking
		096 ⇔ 103	Gobo 3 shaking
		104 ⇔ 111	Gobo 2 shaking
		112 ⇔ 119	Gobo 1 shaking
		120 ⇔ 127	Open
		128 ⇔ 191	Gobo scroll, slow to fast
192 ⇔ 255	Reverse gobo scroll, slow to fast		
15	Gobo 1 rotation	000 ⇔ 063	Rotating gobo index
		064 ⇔ 145	Gobo rotation, fast to slow
		146 ⇔ 149	Stop
		150 ⇔ 231	Reverse gobo rotation, slow to fast
		232 ⇔ 255	Bounce effect, short to long

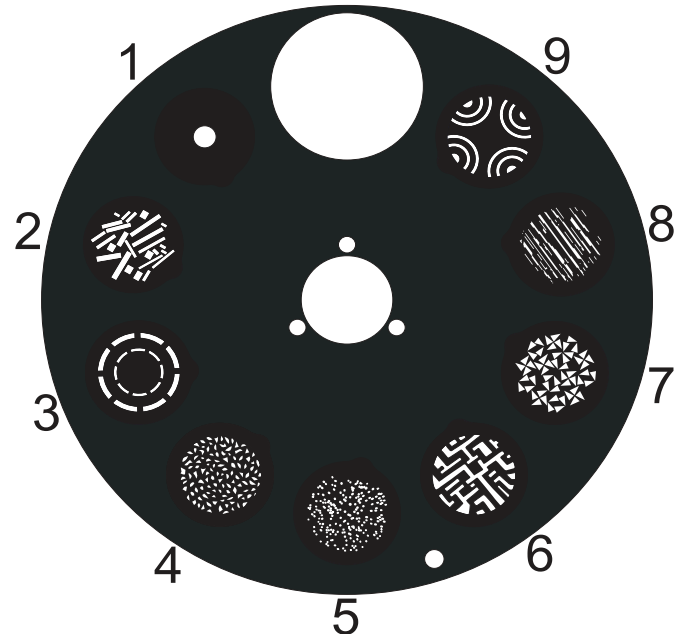
Channel	Function	Value	Percent/Setting
16	Gobo wheel 2 (static) (see Gobo Designs)	000 ⇄ 005	Open
		006 ⇄ 011	Gobo 1 (beam)
		012 ⇄ 017	Gobo 2 (bars)
		018 ⇄ 023	Gobo 3 (circles)
		024 ⇄ 029	Gobo 4 (breakup)
		030 ⇄ 035	Gobo 5 (dots)
		036 ⇄ 041	Gobo 6 (circuits)
		042 ⇄ 047	Gobo 7 (triangles)
		048 ⇄ 053	Gobo 8 (forest)
		054 ⇄ 063	Gobo 9 (rainbows)
		064 ⇄ 069	Gobo 9 shaking
		070 ⇄ 075	Gobo 8 shaking
		076 ⇄ 081	Gobo 7 shaking
		082 ⇄ 087	Gobo 6 shaking
		088 ⇄ 093	Gobo 5 shaking
		094 ⇄ 099	Gobo 4 shaking
		100 ⇄ 105	Gobo 3 shaking
106 ⇄ 111	Gobo 2 shaking		
112 ⇄ 117	Gobo 1 shaking		
118 ⇄ 127	Open		
128 ⇄ 191	Gobo scroll, slow to fast		
192 ⇄ 255	Reverse gobo scroll, slow to fast		
17	Animation wheel	000 ⇄ 255	Animation effect, 0–100%
18	Animation wheel rotation	000 ⇄ 124	Animation wheel rotation, fast to slow
		125 ⇄ 130	Stop
		131 ⇄ 255	Reverse animation wheel, slow to fast
19	Blade 1-1	000 ⇄ 255	0–100%
20	Blade 1-2	000 ⇄ 255	0–100%
21	Blade 2-1	000 ⇄ 255	0–100%
22	Blade 2-2	000 ⇄ 255	0–100%
23	Blade 3-1	000 ⇄ 255	0–100%
24	Blade 3-2	000 ⇄ 255	0–100%
25	Blade 4-1	000 ⇄ 255	0–100%
26	Blade 4-2	000 ⇄ 255	0–100%
27	Framing shutter rotation	000 ⇄ 255	0–100%
28	Focus	000 ⇄ 255	0–100%
29	Zoom	000 ⇄ 255	0–100%
30	Prism	000 ⇄ 004	No function
		005 ⇄ 255	Prism effect
31	Prism rotation	000 ⇄ 127	Rotating prism index
		128 ⇄ 189	Prism rotation, fast to slow
		190 ⇄ 193	Stop
		194 ⇄ 255	Reverse prism rotation, slow to fast
32	Prism 2	000 ⇄ 004	No function
		005 ⇄ 255	Prism effect
33	Prism 2 rotation	000 ⇄ 127	Rotating prism index
		128 ⇄ 189	Prism rotation, fast to slow
		190 ⇄ 193	Stop
		194 ⇄ 255	Reverse prism rotation, slow to fast
34	Iris	000 ⇄ 063	Large to small
		064 ⇄ 127	Auto change, slow to fast
		128 ⇄ 191	Slow expand, fast shrink (slow to fast)
		192 ⇄ 255	Slow shrink, fast expand (slow to fast)
35	Frost 1	000 ⇄ 255	0–100%
36	Frost 2	000 ⇄ 255	0–100%

Channel	Function	Value	Percent/Setting
37	CRI filter	000 ⇔ 004	No function
		005 ⇔ 255	CRI filter
38	Control	000 ⇔ 007	No function
		008 ⇔ 015	Pan tilt blackout
		016 ⇔ 023	Color blackout
		024 ⇔ 031	Gobo blackout
		032 ⇔ 039	Pan tilt/color blackout
		040 ⇔ 047	Pan tilt/gobo blackout
		048 ⇔ 055	Pan/tilt/color/gobo blackout
		056 ⇔ 095	No function
		096 ⇔ 103	Pan reset
		104 ⇔ 111	Tilt reset
		112 ⇔ 119	Color reset
		120 ⇔ 127	Gobo wheels and rotation reset
		128 ⇔ 135	No function
		136 ⇔ 143	Prisms reset
		144 ⇔ 151	Framing shutter reset
		152 ⇔ 159	All reset
		160 ⇔ 167	Iris reset
		168 ⇔ 175	Frost reset
		176 ⇔ 183	Zoom reset
		184 ⇔ 191	CMY reset
		192 ⇔ 199	Fan ECO mode
		200 ⇔ 207	Fan full speed
		208 ⇔ 215	Fan auto
		216 ⇔ 220	No function
		221 ⇔ 225	Iris fast mode
		226 ⇔ 230	Iris smooth mode
		231 ⇔ 235	Pan tilt swap on
		236 ⇔ 240	Pan tilt swap off
241 ⇔ 246	FANTV25		
247 ⇔ 250	FANTV35		
251 ⇔ 255	No function		

Gobo Designs



Gobo Wheel 1 (Rotating)



Gobo Wheel 2 (Static)

Gobo Wheel	Gobo #	Description
Gobo wheel 1 (rotating)	1	Sailboats
	2	Radial dot
	3	Mower blade
	4	Bolts
	5	Shower glass
	6	Ballistic clouds
	7	Four eyes
Gobo wheel 2 (static)	1	Beam
	2	Bars
	3	Circles
	4	Breakup
	5	Dots
	6	Circuits
	7	Triangles
	8	Forest
	9	Rainbows

Acerca de Esta Guía

La Guía de Referencia Rápida (GRR) del Maverick Force 3 Profile contiene información básica sobre el producto, como montaje, opciones de menú y valores DMX. Descargue el Manual de Usuario de www.chauvetprofessional.com para información más detallada.

Exención de Responsabilidad

La información y especificaciones contenidas en esta GRR están sujetas a cambio sin previo aviso.

GARANTÍA LIMITADA

PARA VER EL REGISTRO DE GARANTÍA Y LOS TÉRMINOS Y CONDICIONES COMPLETOS, VISITE NUESTRO SITIO WEB.

Para clientes en los Estados Unidos y México: www.chauvetlighting.com/warranty-registration.

Para clientes en Reino Unido, República de Irlanda, Bélgica, Países Bajos, Luxemburgo, Francia y Alemania: www.chauvetlighting.eu/warranty-registration.

Chauvet garantiza que este producto estará libre de defectos de material y mano de obra en condiciones de uso normales, durante el periodo especificado, sujeto siempre a las exclusiones y limitaciones establecidas en la garantía limitada completa de nuestro sitio web. Esta garantía se concede únicamente al comprador original del producto y no es transferible. Para ejercer los derechos que otorga esta garantía, usted debe proporcionar una prueba de compra en forma de un recibo de compra original, expedido por un distribuidor autorizado, donde figure el nombre del producto y la fecha de compra. **NO EXISTEN OTRAS GARANTÍAS EXPRESAS NI IMPLÍCITAS.** Esta garantía le otorga derechos legales específicos. Es posible que a usted le asistan otros derechos, que variarán dependiendo del estado o del país. Esta garantía solamente es válida en los Estados Unidos, Reino Unido, República de Irlanda, Bélgica, Países Bajos, Luxemburgo, Francia, Alemania y México. Para conocer los términos de garantía en otros países, consulte a su distribuidor local.

Notas de Seguridad

- NO abra este producto. No contiene piezas reparables por el usuario.
- NO mire a la fuente de luz cuando el producto esté encendido.
- CUIDADO: Se sabe que la luz parpadeante puede desencadenar ataques epilépticos. El usuario debe cumplir con la legislación local con respecto a la notificación del uso de estroboscopia.
- Para evitar un desgaste innecesario y alargar su vida útil, desconecte complementemente el producto de la alimentación, mediante el interruptor o desenchufándolo, durante los periodos en los que no se use.
- CUIDADO: La carcasa de este producto está caliente cuando las luces están en funcionamiento.
- Monte este producto en una ubicación con ventilación adecuada, al menos a 20" (50 cm) de superficies adyacentes.
- NO deje ningún material inflamable a menos de 50 cm de este producto mientras esté funcionando o conectado a la alimentación.
- Cuidado: cuando transfiera el producto desde ambientes con temperatura extrema (p. ej., del remolque frío de un camión a una sala de baile con calor y humedad), puede formarse condensación en la electrónica interna del producto. Para evitar que se produzca una avería, deje que el producto se aclimate completamente al ambiente antes de conectar la alimentación.
- USE un cable de seguridad cuando monte este producto en lo alto.
- NO ponga en funcionamiento este producto en el exterior o en cualquier ubicación en la que el polvo, calor excesivo, agua o humedad puedan afectarlo. (IP20)
- NO ponga en funcionamiento este producto si sospecha que la carcasa, lentes o cables están dañados.
- NO conecte este producto a un atenuador o reostato.
- Conecte este producto SOLO a un circuito con toma de tierra y protegido.
- Use SOLAMENTE los soportes de colgar/montar para mover este producto.
- En caso de un problema grave de funcionamiento, deje de usarlo inmediatamente.
- La máxima temperatura ambiente es de 113 °F (45 °C). No haga funcionar este producto a temperaturas más altas.

Cumplimiento de la FCC

Este dispositivo cumple la parte 15, parte B de las normas FCC. El funcionamiento está supeditado al cumplimiento de estas dos condiciones:

1. Este dispositivo no puede causar interferencias perjudiciales; y
2. Este dispositivo debe aceptar cualquier interferencia recibida, incluyendo las interferencias que puedan causar un funcionamiento no deseado.

Cualquier cambio o modificación que no haya sido expresamente autorizado por la parte responsable de conformidad puede anular la potestad del usuario para hacer funcionar el equipo.

Advertencia de exposición a RF para América del Norte y Australia

¡Advertencia! Este equipo cumple los límites FCC de exposición a radiación establecidos para un entorno no controlado. Este equipo debe instalarse y manejarse con una distancia mínima de 20 cm entre el radiador y su cuerpo. Este transmisor no se debe situar junto a ninguna otra antena o transmisor ni hacerse funcionar en combinación con ellos.

Contacto

Fuera de EE. UU., Reino Unido, Irlanda, Benelux, Francia, Alemania o México póngase en contacto con su distribuidor para solicitar asistencia o devolver un producto. Consulte [Contact Us](#) al final de este GRR para información de contacto.

Qué va Incluido

- Maverick Force 3 Profile
- Cable de alimentación Seetronic Powerkon IP65
- 2 soportes Omega con material de montaje
- Guía de Referencia Rápida

Corriente Alterna

Este producto tiene una fuente de alimentación con detección automática que puede funcionar con un rango de tensión de entrada de 100 a 240 VCA, 50/60 Hz.

Enchufe CA

Conexión	Cable (EE.UU.)	Cable (Europa)	Color del tornillo
CA Cargado	Negro	Marrón	Amarillo/Latón
CA Neutro	Blanco	Azul	Plata
CA Tierra	Verde/Amarillo	Verde/Amarillo	Verde



Para evitar un desgaste innecesario y alargar su vida útil, desconecte completamente el producto de la alimentación, mediante el interruptor o desenchufándolo, durante los periodos en los que no se use.

Sustitución del fusible

1. Desconecte este producto de la alimentación.
2. Utilizando un destornillador plano, desatornille la tapa del portafusibles de la carcasa.
3. Quite el fusible fundido del portafusibles y sustitúyalo con uno nuevo del mismo tipo y categoría.
4. Vuelva a atornillar la tapa del portafusibles en su sitio y conecte de nuevo la alimentación.

Enlace DMX

El Maverick Force 3 Profile funcionará con un controlador DMX usando una conexión serie DMX de 5 o 3 pines. Hay un Manual DMX disponible en www.chauvetprofessional.com.

Conexión DMX

El Maverick Force 3 Profile usa una conexión de serie DMX de 5 o 3 pines para sus personalidades: **38Ch** y **54Ch**. Vea el Manual de Usuario para conectar y configurar para funcionamiento DMX.

RDM (gestión remota del dispositivo)

Remote Device Management (gestión remota del dispositivo) o RDM, es un estándar que permite a los dispositivos con capacidad DMX una comunicación bidireccional por un cableado DMX existente. El Maverick Force 3 Profile admite protocolo RDM, que posibilita información para supervisar cambiar las opciones del mapa de menú. Descargue el manual de usuario de www.chauvetprofessional.com para una información más detallada.

Conexiones de Señal

Puede enlazar el Maverick Force 3 Profile a un controlador o software controlador usando una conexión DMX, una conexión Ethernet o ambas. Si está usando otros productos compatibles con Art-Net™ o sACN, el Maverick Force 3 Profile puede controlar cada uno individualmente en una sola red. Consulte el Manual de usuario para obtener información sobre cómo conectar y configurar el producto para estas señales.

Conexión Art-Net™

Art-Net™ es un protocolo Ethernet que utiliza TCP/IP para transferir gran cantidad de datos DMX512 usando una conexión etherCON RJ45 sobre una red de gran tamaño. Hay disponible un documento sobre el protocolo Art-Net™ desde www.chauvetprofessional.com. Chauvet Professional recomienda la utilización de modo Unicast para mejores resultados. Art-Net™ diseñado y copyright por Artistic Licence Holdings Ltd.

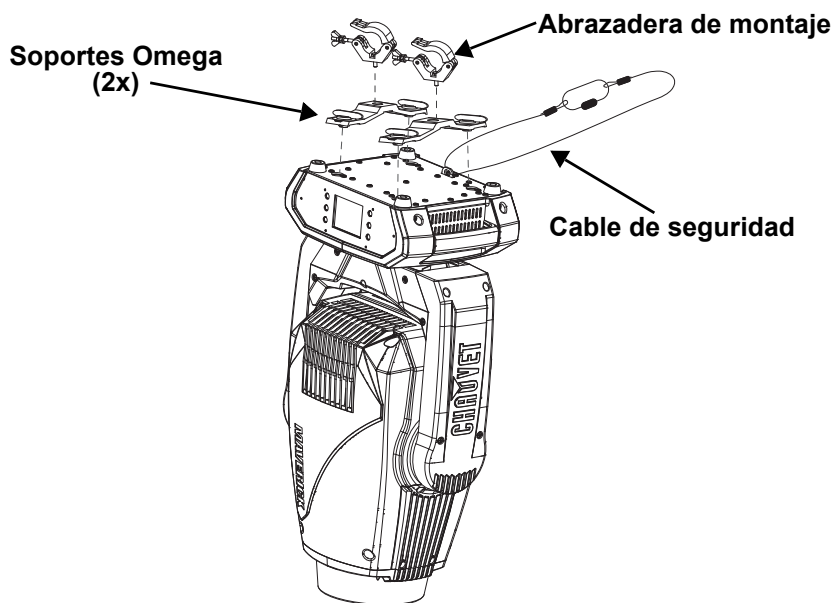
Conexión sACN

También conocido como ANSI E1.31, el streaming ACN es un protocolo Ethernet que usa las capas y formato de Architecture for Control Networks (arquitectura para redes de control) para transportar datos DMX512 sobre IP o cualquier otra red compatible con ACN.

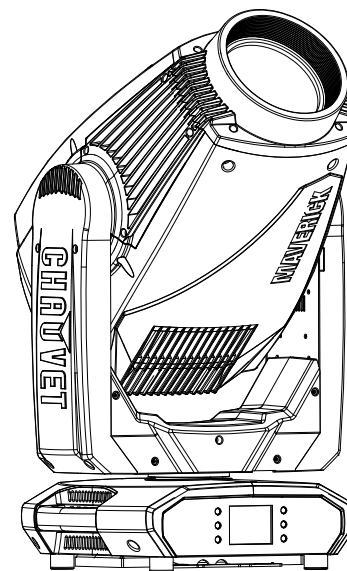
Montaje

Antes de montar este producto, lea las [Notas de Seguridad](#). Utilice al menos dos puntos de montaje por producto. Asegúrese de que las abrazaderas de montaje son capaces de soportar el peso del producto. Para nuestra línea Chauvet de abrazaderas de montaje, visite <http://trusst.com/productcategory/truss-clamps/>.

Diagrama de montaje del producto



Montaje en Altura



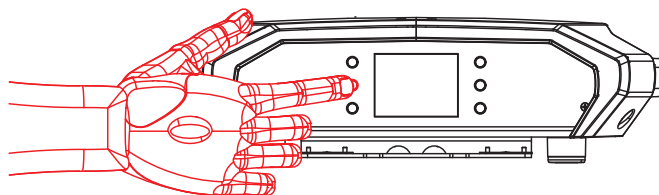
Montaje en el Suelo

Descripción del Panel de Control

Botón	Nombre	Función
< ↑ >	<UP>	Navega hacia arriba por la lista de menú o aumenta el valor numérico cuando está en una función
< ≡ >	<MENU>	Salte del menú o función actual
< ↓ >	<DOWN>	Navega hacia abajo por la lista de menú o disminuye el valor numérico cuando está en una función
< ← >	<LEFT>	Navega hacia la izquierda por la lista de menú
< ↵ >	<ENTER>	Habilita el menú actualmente en pantalla o configura el valor seleccionado actualmente dentro de la función seleccionada
< → >	<RIGHT>	Navega hacia la derecha por la lista de menú

Pantalla alimentada con batería

Pulse y mantenga pulsado hasta que aparezca la pantalla de menú (aproximadamente 15 segundos).



Mapa de Menú

Nivel principal	Niveles de Programación		Descripción
Address	001-512		Configura la dirección de inicio
Network Setup	IP Mode	Manual	Configurar la dirección IP manualmente
		DHCP	La red configura la dirección IP
		Static	El producto configura la dirección IP
	Universe	000-255 (Art-Net™) 001-256 (sACN)	Configura el universo
	Ip	002.243.075.222	Configurar la dirección IP en modo Manual
	SubMask	255.000.000.000	Configurar la máscara de subred en modo Manual
Personality	Dmx Mode 38CH	NO	Selecciona el modo 38 de canales
		YES	
	Dmx Mode 54CH	NO	Selecciona el modo 54 de canales
		YES	
ControlMode	DMX	Selecciona el protocolo de control	
	WDMX		
	ArtNet		
	sACN		
Pan Reverse	NO	Desplazamiento lateral normal	
	YES	Desplazamiento lateral inversa	
Tilt Reverse	NO	Inclinación normal	
	YES	Inclinación inversa	
Screen Reverse	NO	Pantalla normal	
	YES	Pantalla inversa	
	AUTO	Orientación de pantalla automático	
Pan Angle	540	Rango de desplazamiento lateral: 540°	
	360	Rango de desplazamiento lateral: 360°	
	180	Rango de desplazamiento lateral: 180°	
Tilt Angle	270	Rango de inclinación: 270°	
	180	Rango de inclinación: 180°	
	90	Rango de inclinación: 90°	
BL. O. P/T Move	NO	No blackout mientras se desliza/inclina	
	YES	Blackout mientras se desliza/inclina	
BL. O. Color Move	NO	No blackout mientras la rueda de color se mueve	
	YES	Blackout mientras la rueda de color se mueve	
BL. O. Gobo Move	NO	No blackout mientras las ruedas de gobo se mueven	
	YES	Blackout mientras las ruedas de gobo se mueven	
Calibration	NO	Calibración deshabilitada	
	YES	Calibración habilitada	
Touchscreen Lock	NO	Pantalla táctil habilitada	
	YES	Pantalla táctil deshabilitada	
Lock Screen	NO	Bloqueo los botones y pantalla táctil	
	YES	Contraseña: 0923	
Swap XY	NO	No intercambiar panorámica e inclinación	
	YES	Panorámica controla inclinación, y viceversa	
WDMX Reset	NO	No restablecer WDMX	
	YES	Restablecer WDMX	

Nivel principal	Niveles de Programación		Descripción
Settings (cont.)	Backlight Timer	30S	La pantalla se apaga a los 30 segundos
		1M	La pantalla se apaga al cabo de 1 minuto
		5M	La pantalla se apaga al cabo de 5 minutos
		ON	La pantalla permanece encendida
	Loss of Data	Hold	Mantiene la última señal recibida
		Close	Pone el dispositivo en blackout
	Fans	Auto	Velocidad del ventilador según la temperatura del producto
		Full	Velocidad del ventilador siempre alta
		ECO	Modo silencioso
		FANTV25	Mantiene la salida del LED hasta una temperatura ambiente de 77 °F (25 °C) (FANTV25) o 95 °F (35 °C) (FANTV35).
		FANTV35	Cuando utilice estos modos de ventilador, configure las PWM Options en 6000Hz o 15000Hz para evitar cualquier posible ruido de armonización.
	Dimmer Curve	Linear	Configura la curva del atenuador
		Square	
		I Squa	
		SCurve	
		Linear2	
	PWM Option	600Hz	Selecciona la frecuencia de emisión PWM
		1200Hz	
		4000Hz	
		6000Hz	
15000Hz			
Preset Select	PRESET A	Opciones de menú preconfiguradas grabadas	
	PRESET B		
	PRESET C		
Preset Sync	NO	Permite transferir las opciones de menú preconfiguradas grabadas a otros Maverick Force 3 Profile de la cadena DMX	
	YES		
USB Update	NO	Habilita/deshabilita la actualización por USB	
	YES		
Reset Function	Pan/Tilt	NO/YES	
	Iris/Prism		
	Color/CMY/Blade		
	Gobo/Gobo Rotate		
	Frost/Animation		
	All		
Factory Settings	NO	Restablece el dispositivo a la configuración de fábrica	
	YES		

Nivel principal	Niveles de Programación		Descripción
	Auto Test		Prueba automática de todas las funciones
Test	Manual Test	Pan	000-255 Controlar y probar todas las funciones a través del panel de control
		Pan Fine	
		Tilt	
		Tilt Fine	
		P/T Speed	
		Dimmer	
		Dimmer Fine	
		Shutter	
		Virtual Shaking	
		Cyan	
		Magenta	
		Yellow	
		CTO	
		Color	
		Gobo	
		Gobo Rotate	
		Gobo Index	
		Gobo2	
		Animation	
		Animation Rotate	
		Blade1- 1	
		Blade1- 1 Fine	
		Blade1- 2	
		Blade1- 2 Fine	
		Blade2- 1	
		Blade2- 1 Fine	
		Blade2- 2	
		Blade2- 2 Fine	
		Blade3- 1	
		Blade3- 1 Fine	
		Blade3- 2	
Blade3- 2 Fine			
Blade4- 1			
Blade4- 1 Fine			
Blade4- 2			
Blade4- 2 Fine			
Blade Rotate			
Blade. Rota Fine			

Nivel principal	Niveles de Programación		Descripción	
Test (cont.)	Manual Test (cont.)	Focus	000–255	Controlar y probar todas las funciones a través del panel de control
		Focus Fine		
		Focus Auto		
		Zoom		
		Zoom Fine		
		Prism		
		Prism Rotate		
		Prism2		
		Prism2 Rotate		
		Iris		
		Frost		
		Frost2		
		CRI Filter		
		CMY Macro		
		CMY Macro Speed		
Special Function				
Information	Fixture Information	CRI Filter	V_	Muestra la versión de firmware
		CMY Macro	---	Muestra el modo de ejecución actual
		CMY Macro Speed	---	Muestra la dirección de inicio actual
		Special Function	---	Muestra la temperatura del producto en °C
		Fixture Hours	-----	Muestra el número de horas que el producto ha estado encendido
		Ip	-----	Muestra la dirección IP actual
		SubMask	-----	Muestra la máscara de subred actual
		MAC	-----	Muestra la dirección MAC actual
	Fan Information	head Fan1 Speed	-----	Muestra la velocidad de los ventiladores de la cabeza en rpm
		head Fan2 Speed		
		head Fan3 Speed		
		head Fan4 Speed		
		head Fan5 Speed		
		head Fan6 Speed		
	Error Information	-----	Muestra cualquier error o "No Error!"	
		Channel Information		Frequency
	Pan			
	Pan Fine			
	Tilt			
	Tilt Fine			
	P/T Speed			
	Dimmer			
	Dimmer Fine			
Shutter				
Virtual Shaking				
Cyan				
Magenta				
Yellow				
CTO				
Color				

Nivel principal	Niveles de Programación		Descripción
Information (cont.)	Channel Information (cont.)	Gobo	---
		Gobo Rotate	
		Gobo Index	
		Gobo2	
		Animation	
		Animation Rotate	
		Blade1- 1	
		Blade1- 1 Fine	
		Blade1- 2	
		Blade1- 2 Fine	
		Blade2- 1	
		Blade2- 1 Fine	
		Blade2- 2	
		Blade2- 2 Fine	
		Blade3- 1	
		Blade3- 1 Fine	
		Blade3- 2	
		Blade3- 2 Fine	
		Blade4- 1	
		Blade4- 1 Fine	
		Blade4- 2	
		Blade4- 2 Fine	
		Blade Rotate	
		Blade. Rota Fine	
		Focus	
		Focus Fine	
		Focus Auto	
		Zoom	
		Zoom Fine	
		Prism	
		Prism Rotate	
		Prism2	
		Prism2 Rotate	
Iris			
Frost			
Frost2			
CRI Filter			
CMY Macro			
CMY Macro Speed			
Special Function			
			Muestra todos los valores actuales de las señales de entrada, 000–255

Valores DMX
Dmx Mode 54CH

Canal	Función	Valor	Porcentaje/Configuración
1	Desplazamiento lateral	000 ⇔ 255	0–100%
2	Desplazamiento lateral fino	000 ⇔ 255	Control fino (16 bits)
3	Inclinación	000 ⇔ 255	0–100%
4	Inclinación fino	000 ⇔ 255	Control fino (16 bits)
5	Velocidad de desplaza/inclina	000 ⇔ 255	Rápido a lento
6	Atenuador	000 ⇔ 255	0–100%
7	Atenuador fino	000 ⇔ 255	Control fino (16 bits)
8	Obturador	000 ⇔ 003	Cerrado
		004 ⇔ 007	Abierto
		008 ⇔ 076	Estroboscopio, lento a rápido
		077 ⇔ 145	Estroboscopio pulso, lento a rápido
		146 ⇔ 215	Estroboscopio aleatorio, lento a rápido
216 ⇔ 255	Abierto		
9	Estroboscópica virtual	000 ⇔ 001	Sin función
		002 ⇔ 128	Estroboscopio vibratorio, lento a rápido
		129 ⇔ 255	Vibración de desvanecimiento, lento a rápido
10	Cian	000 ⇔ 255	0–100%
11	Magenta	000 ⇔ 255	0–100%
12	Amarillo	000 ⇔ 255	0–100%
13	CTO	000 ⇔ 255	0–100%
14	Rueda de color	000 ⇔ 007	Abierto
		008 ⇔ 015	Rojo
		016 ⇔ 023	Naranja
		024 ⇔ 031	Verde
		032 ⇔ 039	Amarillo
		040 ⇔ 047	Azul oscuro
		048 ⇔ 059	8000K CTB
		060 ⇔ 187	Rueda de color indexación
		188 ⇔ 219	Desplazamiento de color, rápido a lento
		220 ⇔ 223	Parada
224 ⇔ 255	Desplazamiento inverso de color, lento a rápido.		
15	Rueda de gobo 1 (giratoria) (ver Diseños de Gobos)	000 ⇔ 007	Abierto
		008 ⇔ 015	Gobo 1 (veleros)
		016 ⇔ 023	Gobo 2 (punto radial)
		024 ⇔ 031	Gobo 3 (cuchilla de corte)
		032 ⇔ 039	Gobo 4 (tornillos)
		040 ⇔ 047	Gobo 5 (vidrio de ducha)
		048 ⇔ 055	Gobo 6 (nubes balísticas)
		056 ⇔ 063	Gobo 7 (cuatro ojos)
		064 ⇔ 071	Gobo 7 vibrando
		072 ⇔ 079	Gobo 6 vibrando
		080 ⇔ 087	Gobo 5 vibrando
		088 ⇔ 095	Gobo 4 vibrando
		096 ⇔ 103	Gobo 3 vibrando
		104 ⇔ 111	Gobo 2 vibrando
		112 ⇔ 119	Gobo 1 vibrando
		120 ⇔ 127	Abierto
		128 ⇔ 191	Desplazamiento de gobo, lento a rápido
		192 ⇔ 255	Desplazamiento inverso de gobo, lento a rápido

Canal	Función	Valor	Porcentaje/Configuración
16	Rotación de gobo 1	000 ⇔ 063	Índice de gobo giratorio
		064 ⇔ 145	Rotación de gobo, lento a rápido
		146 ⇔ 149	Parada
		150 ⇔ 231	Rotación inversa de gobos, lento a rápido
		232 ⇔ 255	Efecto rebote, corto a largo
17	Rueda de gobo 1 indexación	000 ⇔ 255	Control fino (16 bits)
18	Rueda de gobo 2 (estática) (ver Diseños de Gobos)	000 ⇔ 005	Open
		006 ⇔ 011	Gobo 1 (haz)
		012 ⇔ 017	Gobo 2 (barras)
		018 ⇔ 023	Gobo 3 (círculos)
		024 ⇔ 029	Gobo 4 (ruptura)
		030 ⇔ 035	Gobo 5 (puntos)
		036 ⇔ 041	Gobo 6 (circuitos)
		042 ⇔ 047	Gobo 7 (triángulos)
		048 ⇔ 053	Gobo 8 (bosque)
		054 ⇔ 063	Gobo 9 (arcoiris)
		064 ⇔ 069	Gobo 9 vibrando
		070 ⇔ 075	Gobo 8 vibrando
		076 ⇔ 081	Gobo 7 vibrando
		082 ⇔ 087	Gobo 6 vibrando
		088 ⇔ 093	Gobo 5 vibrando
		094 ⇔ 099	Gobo 4 vibrando
		100 ⇔ 105	Gobo 3 vibrando
		106 ⇔ 111	Gobo 2 vibrando
112 ⇔ 117	Gobo 1 vibrando		
118 ⇔ 127	Abierto		
128 ⇔ 191	Desplazamiento de gobo, lento a rápido		
192 ⇔ 255	Desplazamiento inverso de gobo, lento a rápido		
19	Rueda de animación	000 ⇔ 255	Efecto animación, 0–100%
20	Rotación de rueda de animación	000 ⇔ 124	Rotación de rueda de animación, rápido a lento
		125 ⇔ 130	Parada
		131 ⇔ 255	Rotación inversa de rueda de animación, lento a rápido
21	Cuchilla 1-1	000 ⇔ 255	0–100%
22	Cuchilla 1-1 fino	000 ⇔ 255	Control fino (16 bits)
23	Cuchilla 1-2	000 ⇔ 255	0–100%
24	Cuchilla 1-2 fino	000 ⇔ 255	Control fino (16 bits)
25	Cuchilla 2-1	000 ⇔ 255	0–100%
26	Cuchilla 2-1 fino	000 ⇔ 255	Control fino (16 bits)
27	Cuchilla 2-2	000 ⇔ 255	0–100%
28	Cuchilla 2-2 fino	000 ⇔ 255	Control fino (16 bits)
29	Cuchilla 3-1	000 ⇔ 255	0–100%
30	Cuchilla 3-1 fino	000 ⇔ 255	Control fino (16 bits)
31	Cuchilla 3-2	000 ⇔ 255	0–100%
32	Cuchilla 3-2 fino	000 ⇔ 255	Control fino (16 bits)
33	Cuchilla 4-1	000 ⇔ 255	0–100%
34	Cuchilla 4-1 fino	000 ⇔ 255	Control fino (16 bits)
35	Cuchilla 4-2	000 ⇔ 255	0–100%
36	Cuchilla 4-2 fino	000 ⇔ 255	Control fino (16 bits)
37	Rotación de marco	000 ⇔ 255	0–100%
38	Rotación fino de marco	000 ⇔ 255	Control fino (16 bits)
39	Foco	000 ⇔ 255	0–100%
40	Foco fino	000 ⇔ 255	Control fino (16 bits)

Canal	Función	Valor	Porcentaje/Configuración
41	Foco automático	000 ⇔ 010	Sin función
		011 ⇔ 030	0–5 m foco automático
		031 ⇔ 050	6 m foco automático
		051 ⇔ 070	7 m foco automático
		071 ⇔ 090	8 m foco automático
		091 ⇔ 110	9 m foco automático
		111 ⇔ 130	10 m foco automático
		131 ⇔ 150	12,5 m foco automático
		151 ⇔ 170	15 m foco automático
		171 ⇔ 190	17,5 m foco automático
		191 ⇔ 210	20–60 m foco automático
	211 ⇔ 255	Detectar automáticamente la distancia	
42	Zoom	000 ⇔ 255	0–100%
43	Zoom fino	000 ⇔ 255	Control fino (16 bits)
44	Prisma 1	000 ⇔ 004	Sin función
		005 ⇔ 255	Efecto prisma 1
45	Rotación de prisma 1	000 ⇔ 127	Prisma 1 giratorio indexación
		128 ⇔ 189	Rotación de prisma 1, rápido a lento
		190 ⇔ 193	Parada
		194 ⇔ 255	Rotación inverso de prisma 1, lento a rápido
46	Prisma 2	000 ⇔ 004	Sin función
		005 ⇔ 255	Efecto prisma 2
47	Rotación de prisma 2	000 ⇔ 127	Prisma 2 giratorio indexación
		128 ⇔ 189	Rotación de prisma 2, rápido a lento
		190 ⇔ 193	Parada
		194 ⇔ 255	Rotación inverso de prisma 2, lento a rápido
48	Iris	000 ⇔ 063	Grande a pequeño
		064 ⇔ 127	Cambio automático, lento a rápido
		128 ⇔ 191	Encogimiento lento, expandir rápido (lento a rápido)
		192 ⇔ 255	Expandir lento, encogimiento rápido (lento a rápido)
49	Difusor 1	000 ⇔ 255	0–100%
50	Difusor 2	000 ⇔ 255	0–100%
51	Filtro CRI	000 ⇔ 004	Sin función
		005 ⇔ 255	Filtro CRI
52	Macro de CMY	000 ⇔ 009	Sin función
		010 ⇔ 255	CMY macro
53	Velocidad de macro de CMY	000 ⇔ 255	Velocidad de CMY macro, rápido a lento

Canal	Función	Valor	Porcentaje/Configuración
54	Control	000 ⇔ 007	Sin función
		008 ⇔ 015	Oscuro panorámica/inclinación
		016 ⇔ 023	Oscuro color
		024 ⇔ 031	Oscuro gobo
		032 ⇔ 039	Oscuro panorámica/inclinación/color
		040 ⇔ 047	Oscuro panorámica/inclinación/gobo
		048 ⇔ 055	Oscuro panorámica/inclinación/color/gobo
		056 ⇔ 095	Sin función
		096 ⇔ 103	Restablecer panorámica
		104 ⇔ 111	Restablecer inclinación
		112 ⇔ 119	Restablecer color
		120 ⇔ 127	Restablecer gobo y gobo giratorio
		128 ⇔ 135	Sin función
		136 ⇔ 143	Restablecer prismas
		144 ⇔ 151	Restablecer marco obturador
		152 ⇔ 159	Restablecer todos
		160 ⇔ 167	Restablecer iris
		168 ⇔ 175	Restablecer difusor
		176 ⇔ 183	Restablecer zoom
		184 ⇔ 191	Restablecer CMY
		192 ⇔ 199	Modo de ventilador ECO
		200 ⇔ 207	Velocidad de ventilador máxima
		208 ⇔ 215	Ventilador automático
		216 ⇔ 220	Sin función
		221 ⇔ 225	Modo iris rápido
		226 ⇔ 230	Modo iris suave
		231 ⇔ 235	Intercambio panorámica/inclinación activado
		236 ⇔ 240	Intercambio panorámica/inclinación desactivado
		241 ⇔ 246	FANTV25
		247 ⇔ 250	FANTV35
251 ⇔ 255	Sin función		

Dmx Mode 38CH

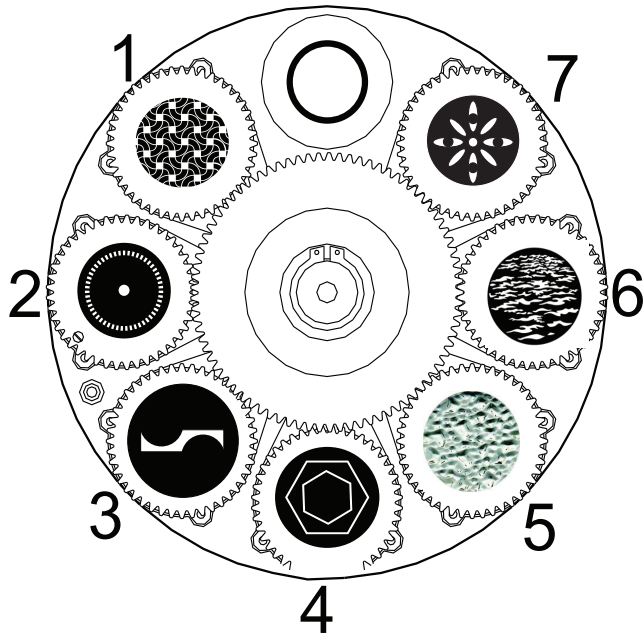
Canal	Función	Valor	Porcentaje/Configuración
1	Desplazamiento lateral	000 ⇔ 255	0–100%
2	Desplazamiento lateral fino	000 ⇔ 255	Control fino (16 bits)
3	Inclinación	000 ⇔ 255	0–100%
4	Inclinación fino	000 ⇔ 255	Control fino (16 bits)
5	Velocidad de desplaza/inclina	000 ⇔ 255	Rápido a lento
6	Atenuador	000 ⇔ 255	0–100%
7	Obturador	000 ⇔ 003	Cerrado
		004 ⇔ 007	Abierto
		008 ⇔ 076	Estroboscopia, lento a rápido
		077 ⇔ 145	Estroboscopia pulso, lento a rápido
		146 ⇔ 215	Estroboscopia aleatorio, lento a rápido
216 ⇔ 255	Abierto		
8	Estroboscópica virtual	000 ⇔ 001	Sin función
		002 ⇔ 128	Estroboscopia vibratorio, lento a rápido
		129 ⇔ 255	Vibración de desvanecimiento, lento a rápido
9	Cian	000 ⇔ 255	0–100%
10	Magenta	000 ⇔ 255	0–100%
11	Amarillo	000 ⇔ 255	0–100%
12	CTO	000 ⇔ 255	0–100%
13	Rueda de color	000 ⇔ 007	Abierto
		008 ⇔ 015	Rojo
		016 ⇔ 023	Naranja
		024 ⇔ 031	Verde
		032 ⇔ 039	Amarillo
		040 ⇔ 047	Azul oscuro
		048 ⇔ 059	8000K CTB
		060 ⇔ 187	Rueda de color indexación
		188 ⇔ 219	Desplazamiento de color, rápido a lento
220 ⇔ 223	Parada		
224 ⇔ 255	Desplazamiento inverso de color, lento a rápido.		
14	Rueda de gobo 1 (giratoria) (ver Diseños de Gobos)	000 ⇔ 007	Abierto
		008 ⇔ 015	Gobo 1 (veleros)
		016 ⇔ 023	Gobo 2 (punto radial)
		024 ⇔ 031	Gobo 3 (cuchilla de corte)
		032 ⇔ 039	Gobo 4 (tornillos)
		040 ⇔ 047	Gobo 5 (vidrio de ducha)
		048 ⇔ 055	Gobo 6 (nubes balísticas)
		056 ⇔ 063	Gobo 7 (cuatro ojos)
		064 ⇔ 071	Gobo 7 vibrando
		072 ⇔ 079	Gobo 6 vibrando
		080 ⇔ 087	Gobo 5 vibrando
		088 ⇔ 095	Gobo 4 vibrando
		096 ⇔ 103	Gobo 3 vibrando
		104 ⇔ 111	Gobo 2 vibrando
		112 ⇔ 119	Gobo 1 vibrando
		120 ⇔ 127	Abierto
128 ⇔ 191	Desplazamiento de gobo, lento a rápido		
192 ⇔ 255	Desplazamiento inverso de gobo, lento a rápido		
15	Rotación de gobo 1	000 ⇔ 063	Índice de gobo giratorio
		064 ⇔ 145	Rotación de gobo, lento a rápido
		146 ⇔ 149	Parada
		150 ⇔ 231	Rotación inversa de gobos, lento a rápido
		232 ⇔ 255	Efecto rebote, corto a largo

Canal	Función	Valor	Porcentaje/Configuración
16	Rueda de gobo 2 (estática) (ver Diseños de Gobos)	000 ⇄ 005	Open
		006 ⇄ 011	Gobo 1 (haz)
		012 ⇄ 017	Gobo 2 (barras)
		018 ⇄ 023	Gobo 3 (círculos)
		024 ⇄ 029	Gobo 4 (ruptura)
		030 ⇄ 035	Gobo 5 (puntos)
		036 ⇄ 041	Gobo 6 (circuitos)
		042 ⇄ 047	Gobo 7 (triángulos)
		048 ⇄ 053	Gobo 8 (bosque)
		054 ⇄ 063	Gobo 9 (arcoiris)
		064 ⇄ 069	Gobo 9 vibrando
		070 ⇄ 075	Gobo 8 vibrando
		076 ⇄ 081	Gobo 7 vibrando
		082 ⇄ 087	Gobo 6 vibrando
		088 ⇄ 093	Gobo 5 vibrando
		094 ⇄ 099	Gobo 4 vibrando
		100 ⇄ 105	Gobo 3 vibrando
106 ⇄ 111	Gobo 2 vibrando		
112 ⇄ 117	Gobo 1 vibrando		
118 ⇄ 127	Abierto		
128 ⇄ 191	Desplazamiento de gobo, lento a rápido		
192 ⇄ 255	Desplazamiento inverso de gobo, lento a rápido		
17	Rueda de animación	000 ⇄ 255	Efecto animación, 0–100%
18	Rotación de rueda de animación	000 ⇄ 124	Rotación de rueda de animación, rápido a lento
		125 ⇄ 130	Parada
		131 ⇄ 255	Rotación inversa de rueda de animación, lento a rápido
19	Cuchilla 1-1	000 ⇄ 255	0–100%
20	Cuchilla 1-2	000 ⇄ 255	0–100%
21	Cuchilla 2-1	000 ⇄ 255	0–100%
22	Cuchilla 2-2	000 ⇄ 255	0–100%
23	Cuchilla 3-1	000 ⇄ 255	0–100%
24	Cuchilla 3-2	000 ⇄ 255	0–100%
25	Cuchilla 4-1	000 ⇄ 255	0–100%
26	Cuchilla 4-2	000 ⇄ 255	0–100%
27	Rotación de marco	000 ⇄ 255	0–100%
28	Foco	000 ⇄ 255	0–100%
29	Zoom	000 ⇄ 255	0–100%
30	Prisma 1	000 ⇄ 004	Sin función
		005 ⇄ 255	Efecto prisma 1
31	Rotación de prisma 1	000 ⇄ 127	Prisma 1 giratorio indexación
		128 ⇄ 189	Rotación de prisma 1, rápido a lento
		190 ⇄ 193	Parada
		194 ⇄ 255	Rotación inverso de prisma 1, lento a rápido
32	Prisma 2	000 ⇄ 004	Sin función
		005 ⇄ 255	Efecto prisma 2
33	Rotación de prisma 2	000 ⇄ 127	Prisma 2 giratorio indexación
		128 ⇄ 189	Rotación de prisma 2, rápido a lento
		190 ⇄ 193	Parada
		194 ⇄ 255	Rotación inverso de prisma 2, lento a rápido
34	Iris	000 ⇄ 063	Grande a pequeño
		064 ⇄ 127	Cambio automático, lento a rápido
		128 ⇄ 191	Encogimiento lento, expandir rápido (lento a rápido)
		192 ⇄ 255	Expandir lento, encogimiento rápido (lento a rápido)
35	Difusor 1	000 ⇄ 255	0–100%
36	Difusor 2	000 ⇄ 255	0–100%

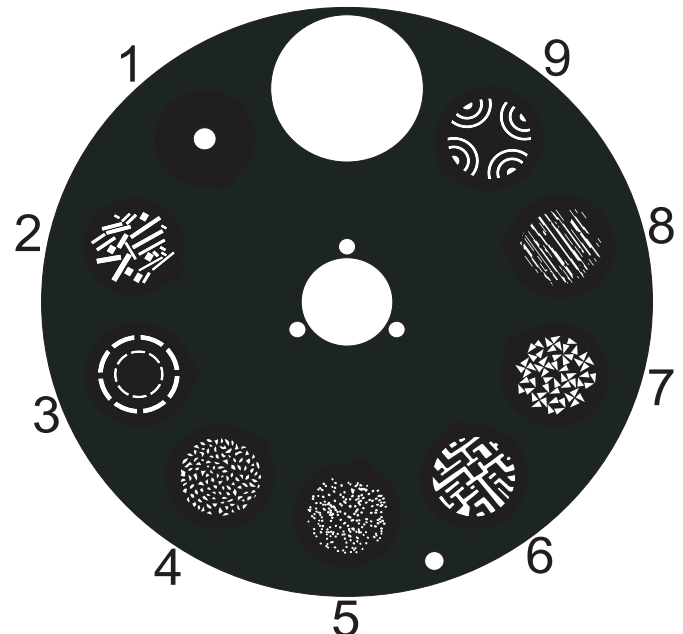
ES

Canal	Función	Valor	Porcentaje/Configuración
37	Filtro CRI	000 ⇔ 004	Sin función
		005 ⇔ 255	Filtro CRI
38	Control	000 ⇔ 007	Sin función
		008 ⇔ 015	Oscuro panorámica/inclinación
		016 ⇔ 023	Oscuro color
		024 ⇔ 031	Oscuro gobo
		032 ⇔ 039	Oscuro panorámica/inclinación/color
		040 ⇔ 047	Oscuro panorámica/inclinación/gobo
		048 ⇔ 055	Oscuro panorámica/inclinación/color/gobo
		056 ⇔ 095	Sin función
		096 ⇔ 103	Restablecer panorámica
		104 ⇔ 111	Restablecer inclinación
		112 ⇔ 119	Restablecer color
		120 ⇔ 127	Restablecer gobo y gobo giratorio
		128 ⇔ 135	Sin función
		136 ⇔ 143	Restablecer prismas
		144 ⇔ 151	Restablecer marco obturador
		152 ⇔ 159	Restablecer todos
		160 ⇔ 167	Restablecer iris
		168 ⇔ 175	Restablecer difusor
		176 ⇔ 183	Restablecer zoom
		184 ⇔ 191	Restablecer CMY
		192 ⇔ 199	Modo de ventilador ECO
		200 ⇔ 207	Velocidad de ventilador máxima
		208 ⇔ 215	Ventilador automático
		216 ⇔ 220	Sin función
		221 ⇔ 225	Modo iris rápido
		226 ⇔ 230	Modo iris suave
		231 ⇔ 235	Intercambio panorámica/inclinación activado
		236 ⇔ 240	Intercambio panorámica/inclinación desactivado
241 ⇔ 246	FANTV25		
247 ⇔ 250	FANTV35		
251 ⇔ 255	Sin función		

Diseños de Gobos



Rueda de Gobo 1 (Giratoria)



Rueda de Gobo 2 (Estática)

Rueda de Gobo	Gobo #	Descripción
Rueda de gobo 1 (giratoria)	1	Veleros
	2	Punto radial
	3	Cuchilla de corte
	4	Tornillos
	5	Vidrio de ducha
	6	Nubes balísticas
	7	Cuatro ojos
Rueda de gobo 2 (estática)	1	Haz
	2	Barras
	3	Círculos
	4	Ruptura
	5	Puntos
	6	Circuitos
	7	Triángulos
	8	Bosque
	9	Arcoiris

À Propos de ce Manuel

Le Manuel de Référence du Maverick Force 3 Profile (MdR) reprend des informations de base sur cet appareil notamment en matière de connexions, montage, options de menu et valeurs DMX. Télécharger le Manuel d'Utilisation sur www.chauvetprofessional.com pour de plus amples informations.

Clause de Non-Responsabilité

Les informations et caractéristiques contenues dans ce manuel sont sujettes à changement sans préavis.

GARANTIE LIMITÉE

VEUILLEZ VISITER NOTRE SITE INTERNET POUR CONSULTER LES MODALITÉS D'ENREGISTREMENT DE LA GARANTIE ET LES CONDITIONS GÉNÉRALES COMPLÈTES.

Pour les clients aux États-Unis et au Mexique: www.chauvetlighting.com/warranty-registration.

Pour les clients du Royaume-Uni, de la République d'Irlande, de la Belgique, des Pays-Bas, du Luxembourg, de la France et de l'Allemagne: www.chauvetlighting.eu/warranty-registration.

Chauvet garantit que cet appareil est exempt de défauts de matériaux et de fabrication dans des conditions normales d'utilisation, pendant la période spécifiée dans la garantie limitée complète consultable sur notre site Internet et sous réserve des exclusions et limitations qui y sont énoncées. Cette garantie ne s'applique qu'à l'acheteur initial du produit et n'est pas transférable. Pour exercer les droits prévus par cette garantie, vous devez fournir une preuve d'achat sous la forme d'un reçu de vente original d'un revendeur autorisé qui indique le nom du produit et la date d'achat. **IL N'EXISTE AUCUNE AUTRE GARANTIE EXPRESSE OU IMPLICITE.** Cette garantie vous confère des droits légaux spécifiques. Vous pouvez également bénéficier d'autres droits qui varient selon les états et les pays. Cette garantie n'est valable qu'aux États-Unis, au Royaume-Uni, en République d'Irlande, en Belgique, aux Pays-Bas, au Luxembourg, en France, en Allemagne et au Mexique. Pour connaître les conditions de garantie dans d'autres pays, veuillez consulter votre revendeur local.

Consignes de Sécurité

- N'ouvrez PAS cet appareil. Il ne contient aucun composant susceptible d'être réparé par l'utilisateur.
- Ne regardez PAS la source lumineuse lorsque le produit fonctionne.
- ATTENTION: Le stroboscope peut déclencher des crises d'épilepsie. L'utilisateur doit se conformer à la réglementation locale en matière d'utilisation du stroboscope.
- Durant les périodes de non-utilisation, pour éviter toute usure inutile et pour prolonger la durée de vie, déconnectez entièrement l'appareil en le débranchant de l'alimentation électrique ou en coupant le disjoncteur.
- ATTENTION : Lorsque l'appareil est transféré d'un environnement à température extrême à un autre (par exemple d'un camion froid vers une salle de bal chaude et humide), de la condensation peut se former sur les composants électriques internes. Pour éviter de causer des dommages, laissez l'appareil s'acclimater entièrement au milieu environnant avant de le mettre sous tension.
- ATTENTION : le boîtier de ce produit peut s'avérer brûlant lors du fonctionnement.
- Montez toujours ce produit dans un endroit bien ventilé, à au moins 50 cm (20 pouces) des surfaces adjacentes.
- Ne laissez AUCUNE source inflammable dans un rayon de 50 cm du produit lorsque celui-ci fonctionne.
- Utilisez TOUJOURS un câble de sécurité lorsque vous montez ce produit en hauteur.
- N'utilisez PAS cet appareil en extérieur ou tout autre endroit où de la poussière, une chaleur excessive, de l'eau ou de l'humidité pourrait en affecter le fonctionnement. (IP20)
- N'utilisez PAS cet appareil si le boîtier, les lentilles ou les câbles vous semblent endommagés.
- Ne connectez ce produit NI à un gradateur NI à un rhéostat.
- Connectez UNIQUEMENT cet appareil à un circuit protégé et relié à la terre.
- N'utilisez QUE les lyres de suspension ou les poignées pour transporter cet appareil. Ne transportez jamais cet appareil par sa lyre asservie.
- En cas de sérieux problèmes de fonctionnement, arrêtez le système immédiatement.
- La température ambiante maximale doit être de 113° F (45° C). Ne le faites pas fonctionner à des températures plus élevées.

Conformité FCC

Cet appareil est conforme à la partie 15, sous-partie B du règlement de la FCC. L'utilisation est soumise aux deux conditions suivantes :

1. Cet appareil ne doit pas causer d'interférences nuisibles, et
2. Cet appareil doit accepter toutes les interférences reçues, y compris celles pouvant entraîner un fonctionnement indésirable.

Tout changement ou modification non expressément approuvé par l'autorité responsable de la conformité pourrait annuler le droit de l'utilisateur à utiliser l'équipement.

Avertissement à l'exposition aux fréquences radio pour l'Amérique du Nord et l'Australie

Attention ! Cet équipement est conforme aux limites de la FCC d'exposition aux radiations définies pour un environnement non contrôlé. Cet équipement doit être installé et utilisé à une distance minimale de 20 cm entre le radiateur et votre corps. Cet émetteur ne doit pas être installé ou fonctionner conjointement avec une autre antenne ou un autre émetteur.

Contact

En dehors des États-Unis, du Royaume-Uni, de l'Irlande, du Benelux, de la France, de l'Allemagne, ou du Mexique, contactez votre fournisseur si vous avez besoin d'assistance ou pour retourner un appareil. Référez-vous à [Contact Us](#) à la fin de ce MdR pour obtenir des informations pour nous contacter.

Ce Qui est Inclus

- Maverick Force 3 Profile
- Cordon d'Alimentation Seetronic Powerkon IP65
- 2 fixations Omega avec matériel de montage
- Manuel de Référence

Alimentation CA

Cet appareil est doté d'une alimentation universelle prenant en charge toute tension d'entrée comprise entre 100 et 240 VCA, 50/60 Hz.

Prise CA

Connexion	Câble (États-Unis)	Câble (Europe)	Couleur de la vis
Conducteur CA	Noir	Marron	Jaune/Cuivré
Neutre CA	Blanc	Bleu	Argenté
Terre CA	Vert/Jaune	Vert/Jaune	Vert



Durant les périodes de non-utilisation, pour éviter toute usure inutile et pour prolonger la durée de vie, déconnectez-entièrement l'appareil en le débranchant de l'alimentation électrique ou en coupant le disjoncteur.

Remplacement du Fusible

1. Débranchez l'appareil de l'alimentation.
2. À l'aide d'un tournevis à tête plate, dévissez le couvercle du porte-fusible du boîtier.
3. Retirez le fusil obsolète et remplacez-le par un fusible en bon état de même type et ampérage.
4. Revissez le couvercle du porte-fusible et rebranchez l'unité.

Raccordement DMX

Le Maverick Force 3 Profile fonctionnera avec une console DMX au moyen d'une connexion série DMX à 3 ou 5 broches. Une introduction au DMX est à votre disposition sur www.chauvetprofessional.com.

Connexion DMX

Le Maverick Force 3 Profile utilise une connexion de données DMX à 3 ou 5 broches pour ses personnalités DMX : **38Ch** et **54Ch**. Consultez le Manuel d'Utilisation pour connecter et configurer le système DMX.

RDM (Gestion des périphériques à distance)

Le protocole RDM (gestion des périphériques à distance) est un standard pour la communication bidirectionnelle des appareils dotés de fonctions DMX dans un câblage DMX existant. Le Maverick Force 3 Profile supporte le protocole RDM permettant un retour d'information pour la surveillance et des changements des options de menu. Veuillez télécharger le manuel de l'utilisateur à partir du site internet www.chauvetprofessional.com pour plus de détails.

Connexions du Signal

Le Maverick Force 3 Profile à un contrôleur ou à un logiciel de contrôle à l'aide d'une connexion DMX, une connexion Ethernet ou les deux à la fois. En cas d'utilisation du Maverick Force 3 Profile conjointement avec d'autres appareils compatibles avec les protocoles Art-Net™ ou sACN, vous gardez le contrôle individuel sur un même réseau. Veuillez consulter le manuel d'utilisation pour plus d'informations sur la connexion et la configuration de l'appareil avec ces signaux.

Connexions Art-Net™

Art-Net™ est un protocole Ethernet par TCP/IP qui permet de transférer de grandes quantités de données DMX512 en utilisant une connexion etherCON RJ45 sur un grand réseau. Une introduction au protocole Art-Net™ est disponible sur le site internet www.chauvetprofessional.com. Chauvet Professional recommande d'utiliser le mode Unicast pour de meilleurs résultats. Art-Net™ conçu et droit d'auteur par Artistic Licence Holdings Ltd.

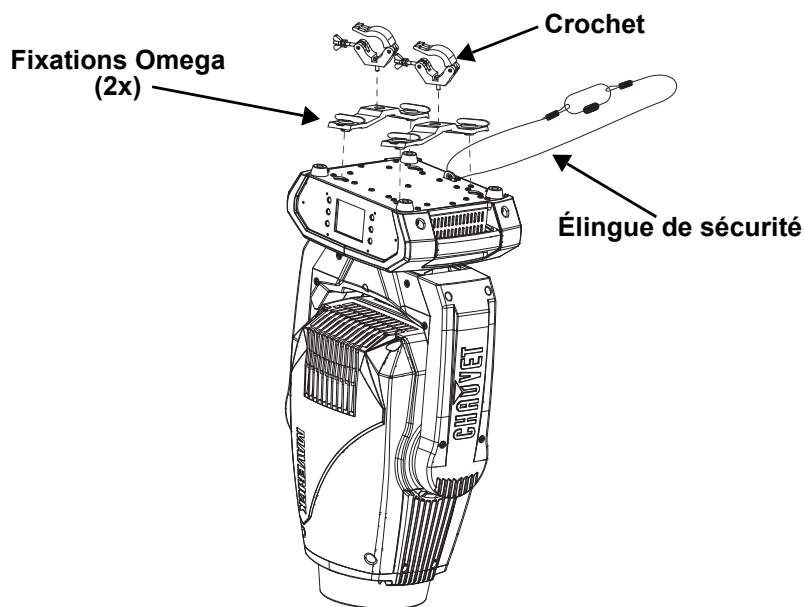
Connexions sACN

Également appelé ANSI E1.31, le streaming ACN est un protocole Ethernet qui utilise les couches et le formatage de l'Architecture for Control Networks pour transporter des données DMX512 par IP ou tout autre réseau compatible ACN.

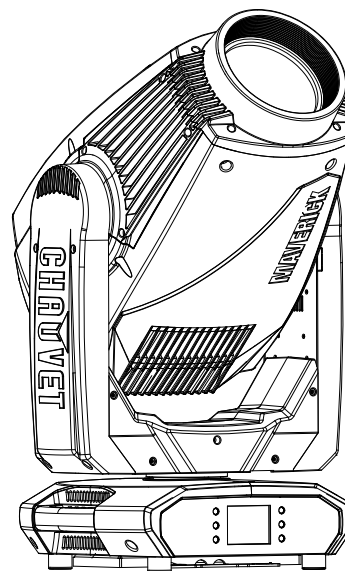
Installation

Avant de monter cet appareil, lisez et assimilez les [Consignes de Sécurité](#). Utilisez au moins deux points de fixation par appareil. Soyez sûr que les crochets sont capables de supporter le poids du produit. Pour voir notre gamme de crochets, rendez-vous sur <http://trusst.com/productcategory/truss-clamps>.

Schéma de Montage de l'Appareil



Montage en Hauteur



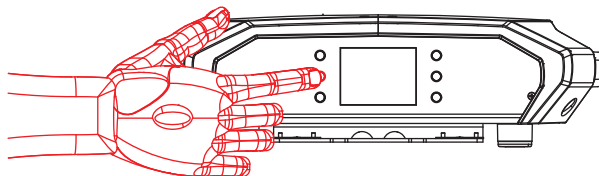
Montage au Sol

Description du Tableau de Commandes

Bouton	Nom	Fonction
< ↑ >	<UP>	Permet de naviguer vers le haut dans la liste du menu ou d'incrémenter une valeur numérique dans une fonction
< ≡ >	<MENU>	Permet de sortir du menu ou de la fonction en cours
< ↓ >	<DOWN>	Permet de naviguer vers le bas dans la liste du menu ou de décrémenter une valeur numérique dans une fonction
< ← >	<LEFT>	Permet de se déplacer vers la gauche dans le menu
< ↵ >	<ENTER>	Active l'entrée de menu actuellement affichée ou confirme la valeur actuellement sélectionnée pour la fonction en cours de sélection
< → >	<RIGHT>	Permet de se déplacer vers la droite dans le menu

Affichage à piles

Appuyez sur la touche et maintenez-la enfoncée jusqu'à ce que l'écran du menu apparaisse (environ 15 secondes).



Plan du Menu

Menu Principal	Niveaux de Programmation		Description
Address	001-512		Définir l'adresse de départ
Network Setup	IP Mode	Manual	Réglage manuel de l'adresse IP
		DHCP	L'adresse IP est définie par le réseau
		Static	L'adresse IP est définie par l'appareil
	Universe	000-255 (Art-Net™) 001-256 (sACN)	Définir l'univers
	Ip	002.243.075.222	Réglage de l'adresse IP en mode manuel
Personality	SubMask	255.000.000.000	Réglage du masque de sous-réseau en mode manuel
	Dmx Mode 38CH	YES	Sélectionne le mode 38 canaux
		NO	
Dmx Mode 54CH	YES	Sélectionne le mode 54 canaux	
	NO		
Settings	ControlMode	DMX	Définit le protocole de contrôle
		WDMX	
		ArtNet	
		sACN	
	Pan Reverse	NO	Fonctionnement normal du pan
		YES	Fonctionnement inversé du pan
	Tilt Reverse	NO	Fonctionnement normal du tilt
		YES	Fonctionnement inversé du tilt
	Screen Reverse	NO	L'écran s'affiche à normal
		YES	L'écran s'affiche à l'envers
		AUTO	Orientation automatique de l'écran
	Pan Angle	540	Plage d'angle de pan : 540°
		360	Plage d'angle de pan : 360°
		180	Plage d'angle de pan : 180°
	Tilt Angle	270	Plage d'angle de tilt : 270°
		180	Plage d'angle de tilt : 180°
		90	Plage d'angle de tilt : 90°
	BL. O. P/T Move	NO	Pas de faire du noir pendant le pan/tilt
		YES	Faire du noir pendant le pan/tilt
	BL. O. Color Move	NO	Pas de faire du noir pendant le roue de couleur
		YES	Faire du noir pendant le roue de couleur
	BL. O. Gobo Move	NO	Pas de faire du noir pendant le roue de gobo
		YES	Faire du noir pendant le roue de gobo
	Calibration	NO	Calibrage désactivé
		YES	Calibrage activé
	Touchscreen Lock	NO	Écran tactile activé
		YES	Écran tactile désactivé
Lock Screen	NO	Boutons de verrouillage et écran tactile Mot de Passe: 0923	
	YES		
Swap XY	NO	Ne pas permuter le pan et le tilt	
	YES	Le pan contrôle le tilt et inversement	
WDMX Reset	NO	Ne pas réinitialiser le WDMX	
	YES	Réinitialiser le WDMX	

Menu Principal	Niveaux de Programmation		Description
Settings (suite)	Backlight Timer	30S	L'affichage s'éteint après 30 secondes
		1M	L'affichage s'éteint après 1 minute
		5M	L'affichage s'éteint après 5 minutes
		ON	L'affichage reste allumé
	Loss of Data	Hold	Conservation du dernier signal reçu
		Close	Extinction de l'unité
	Fans	Auto	La vitesse du ventilateur s'adapte à la température de l'appareil
		Full	La vitesse du ventilateur est réglée sur la vitesse haute
		ECO	Mode silencieux
		FANTV25	Maintient la sortie LED jusqu'à une température ambiante de 77 °F (25 °C) (FANTV25) o 95 °F (35 °C) (FANTV35).
		FANTV35	Lorsque vous utilisez ces modes de ventilation, veuillez définir les PWM Options sur 6000Hz ou 15000Hz pour éviter tout bruit d'harmonisation possible.
	Dimmer Curve	Linear	Définir la courbe de gradation
		Square	
		I Squa	
		SCurve	
		Linear2	
	PWM Option	600Hz	Permet de sélectionner la fréquence de sortie MLI
		1200Hz	
		4000Hz	
		6000Hz	
15000Hz			
Preset Select	PRESET A	Options de menu des préséglages enregistrés	
	PRESET B		
	PRESET C		
Preset Sync	NO	Permet de transférer les options de menu des préséglages enregistrés vers d'autres appareils Maverick Force 3 Profile de la chaîne DMX en guirlande	
	YES		
USB Update	NO	Active/désactive mise à jour par USB	
	YES		
Reset Function	Pan/Tilt	NO/YES	
	Iris/Prism		
	Color/CMY/Blade		
	Gobo/Gobo Rotate		
	Frost/Animation		
	All		
Factory Settings	NO	Réinitialisation aux paramètres par défaut d'usine	
	YES		

Menu Principal	Niveaux de Programmation		Description
	Auto Test		Teste toutes les fonctions automatiquement
Test	Manual Test	Pan	000-255
		Pan Fine	
		Tilt	
		Tilt Fine	
		P/T Speed	
		Dimmer	
		Dimmer Fine	
		Shutter	
		Virtual Shaking	
		Cyan	
		Magenta	
		Yellow	
		CTO	
		Color	
		Gobo	
		Gobo Rotate	
		Gobo Index	
		Gobo2	
		Animation	
		Animation Rotate	
		Blade1- 1	
		Blade1- 1 Fine	
		Blade1- 2	
		Blade1- 2 Fine	
		Blade2- 1	
		Blade2- 1 Fine	
		Blade2- 2	
		Blade2- 2 Fine	
		Blade3- 1	
		Blade3- 1 Fine	
Blade3- 2			
Blade3- 2 Fine			
Blade4- 1			
Blade4- 1 Fine			
Blade4- 2			
Blade4- 2 Fine			
Blade Rotate			
Blade. Rota Fine			

Contrôler et tester manuellement chaque paramètre depuis le panneau de commande

Menu Principal	Niveaux de Programmation		Description	
Test (suite)	Manual Test (suite)	Focus	000–255	Contrôler et tester manuellement chaque paramètre depuis le panneau de commande
		Focus Fine		
		Focus Auto		
		Zoom		
		Zoom Fine		
		Prism		
		Prism Rotate		
		Prism2		
		Prism2 Rotate		
		Iris		
		Frost		
		Frost2		
		CRI Filter		
		CMY Macro		
CMY Macro Speed				
Special Function				
Information	Fixture Information	Ver	V_	Affiche la version du micrologiciel
		Running Mode	---	Affiche le mode d'exécution actuel
		DMX Address	---	Affiche l'adresse de départ actuelle
		Temperature	---	Affiche la température actuelle en °C
		Fixture Hours	-----	Affiche le nombre d'heure pendant lequel l'appareil est resté allumé
		Ip	-----	Affiche l'adresse IP actuelle
		SubMask	-----	Affiche le masque de sous-réseau actuel
		MAC	-----	Affiche l'adresse MAC actuelle
	Fan Information	head Fan1 Speed	----	Affiche la vitesse des ventilateurs de tête en tr/min
		head Fan2 Speed		
		head Fan3 Speed		
		head Fan4 Speed		
		head Fan5 Speed		
		head Fan6 Speed		
	Error Information		-----	Affiche n'importe erreurs ou "No Error!"
	Channel Information	Frequency	---	Affiche toutes les valeurs actuelles des signaux en entrée, 000–255
		Pan		
		Pan Fine		
		Tilt		
		Tilt Fine		
		P/T Speed		
Dimmer				
Dimmer Fine				
Shutter				
Virtual Shaking				
Cyan				
Magenta				
Yellow				
CTO				
Color				
Gobo				

Menu Principal	Niveaux de Programmation		Description
Information (suite)	Channel Information (suite)	Gobo Rotate	---
		Gobo Index	
		Gobo2	
		Animation	
		Animation Rotate	
		Blade1- 1	
		Blade1- 1 Fine	
		Blade1- 2	
		Blade1- 2 Fine	
		Blade2- 1	
		Blade2- 1 Fine	
		Blade2- 2	
		Blade2- 2 Fine	
		Blade3- 1	
		Blade3- 1 Fine	
		Blade3- 2	
		Blade3- 2 Fine	
		Blade4- 1	
		Blade4- 1 Fine	
		Blade4- 2	
		Blade4- 2 Fine	
		Blade Rotate	
		Blade. Rota Fine	
		Focus	
		Focus Fine	
		Focus Auto	
		Zoom	
		Zoom Fine	
		Prism	
		Prism Rotate	
		Prism2	
		Prism2 Rotate	
		Iris	
Frost			
Frost2			
CRI Filter			
CMY Macro			
CMY Macro Speed			
Special Function			

Affiche toutes les valeurs actuelles des signaux en entrée, 000–255

Valeurs DMX
Dmx Mode 54CH

Canal	Fonction	Valeur	Pourcentage/Configuration
1	Pan	000 ⇔ 255	0–100%
2	Pan fin	000 ⇔ 255	Contrôle fin (16 bits)
3	Tilt	000 ⇔ 255	0–100%
4	Tilt fin	000 ⇔ 255	Contrôle fin (16 bits)
5	Vitesse de pan/tilt	000 ⇔ 255	Rapide à lent
6	Gradateur	000 ⇔ 255	0–100%
7	Gradateur fin	000 ⇔ 255	Contrôle fin (16 bits)
8	Obturbateur	000 ⇔ 003	Fermé
		004 ⇔ 007	Ouvert
		008 ⇔ 076	Stroboscope, lent à rapide
		077 ⇔ 145	Stroboscope de pulsation, lent à rapide
		146 ⇔ 215	Stroboscope aléatoire lent à rapide
		216 ⇔ 255	Ouvert
9	Volet virtuel	000 ⇔ 001	Pas de fonction
		002 ⇔ 128	Stroboscope vibrant, lent à rapide
		129 ⇔ 255	Vibration que s'estompe, lent à rapide
10	Cyan	000 ⇔ 255	0–100%
11	Magenta	000 ⇔ 255	0–100%
12	Jaune	000 ⇔ 255	0–100%
13	CTO	000 ⇔ 255	0–100%
14	Roue de couleur	000 ⇔ 007	Ouvert
		008 ⇔ 015	Rouge
		016 ⇔ 023	Orange
		024 ⇔ 031	Vert
		032 ⇔ 039	Jaune
		040 ⇔ 047	Bleu foncé
		048 ⇔ 059	8000K CTB
		060 ⇔ 187	Indexation de roue de couleur
		188 ⇔ 219	Défilement de couleur, rapide à lent
		220 ⇔ 223	Arrêt
224 ⇔ 255	Défilement inverse de couleur, lent à rapide		
15	Roue de gobo 1 (rotative) (voir Dessins de Gobo)	000 ⇔ 007	Ouvert
		008 ⇔ 015	Gobo 1 (bateaux à voile)
		016 ⇔ 023	Gobo 2 (point radial)
		024 ⇔ 031	Gobo 3 (lame de tondeuse)
		032 ⇔ 039	Gobo 4 (boulons)
		040 ⇔ 047	Gobo 5 (verre de douche)
		048 ⇔ 055	Gobo 6 (nuages balistiques)
		056 ⇔ 063	Gobo 7 (quatre yeux)
		064 ⇔ 071	Tremblement gobo 7
		072 ⇔ 079	Tremblement gobo 6
		080 ⇔ 087	Tremblement gobo 5
		088 ⇔ 095	Tremblement gobo 4
		096 ⇔ 103	Tremblement gobo 3
		104 ⇔ 111	Tremblement gobo 2
		112 ⇔ 119	Tremblement gobo 1
		120 ⇔ 127	Ouvert
		128 ⇔ 191	Défilement de gobo, lent à rapide
		192 ⇔ 255	Défilement inverse de gobo, lent à rapide

Canal	Fonction	Valeur	Pourcentage/Configuration
16	Rotation de roue de gobo 1	000 ⇔ 063	Index de rotation de gobo
		064 ⇔ 145	Rotation de gobo, rapide à lent
		146 ⇔ 149	Arrêt
		150 ⇔ 231	Rotation inverse de gobo, lent à rapide
		232 ⇔ 255	Effet de rebond, court à long
17	Indexation de gobo 1	000 ⇔ 255	Contrôle fin (16 bits)
18	Roue de gobo 2 (statique) (voir Dessins de Gobo)	000 ⇔ 005	Ouvert
		006 ⇔ 011	Gobo 1 (faisceau)
		012 ⇔ 017	Gobo 2 (bars)
		018 ⇔ 023	Gobo 3 (cercles)
		024 ⇔ 029	Gobo 4 (rompre)
		030 ⇔ 035	Gobo 5 (points)
		036 ⇔ 041	Gobo 6 (circuits)
		042 ⇔ 047	Gobo 7 (triangles)
		048 ⇔ 053	Gobo 8 (forêt)
		054 ⇔ 063	Gobo 9 (arcs en ciel)
		064 ⇔ 069	Tremblement gobo 9
		070 ⇔ 075	Tremblement gobo 8
		076 ⇔ 081	Tremblement gobo 7
		082 ⇔ 087	Tremblement gobo 6
		088 ⇔ 093	Tremblement gobo 5
		094 ⇔ 099	Tremblement gobo 4
		100 ⇔ 105	Tremblement gobo 3
		106 ⇔ 111	Tremblement gobo 2
		112 ⇔ 117	Tremblement gobo 1
118 ⇔ 127	Ouvert		
128 ⇔ 191	Défilement de gobo, lent à rapide		
192 ⇔ 255	Défilement inverse de gobo, lent à rapide		
19	Roue d'animation	000 ⇔ 255	Effet d'animation, 0–100%
20	Rotation de roue d'animation	000 ⇔ 124	Rotation de roue d'animation, rapide à lent
		125 ⇔ 130	Arrêt
		131 ⇔ 255	Rotation inverse de roue d'animation, lent à rapide
21	Lame 1-1	000 ⇔ 255	0–100%
22	Lame 1-1 fin	000 ⇔ 255	Contrôle fin (16 bits)
23	Lame 1-2	000 ⇔ 255	0–100%
24	Lame 1-2 fin	000 ⇔ 255	Contrôle fin (16 bits)
25	Lame 2-1	000 ⇔ 255	0–100%
26	Lame 2-1 fin	000 ⇔ 255	Contrôle fin (16 bits)
27	Lame 2-2	000 ⇔ 255	0–100%
28	Lame 2-2 fin	000 ⇔ 255	Contrôle fin (16 bits)
29	Lame 3-1	000 ⇔ 255	0–100%
30	Lame 3-1 fin	000 ⇔ 255	Contrôle fin (16 bits)
31	Lame 3-2	000 ⇔ 255	0–100%
32	Lame 3-2 fin	000 ⇔ 255	Contrôle fin (16 bits)
33	Lame 4-1	000 ⇔ 255	0–100%
34	Lame 4-1 fin	000 ⇔ 255	Contrôle fin (16 bits)
35	Lame 4-2	000 ⇔ 255	0–100%
36	Lame 4-2 fin	000 ⇔ 255	Contrôle fin (16 bits)
37	Rotation de cadre	000 ⇔ 255	0–100%
38	Rotation fin de cadre	000 ⇔ 255	Contrôle fin (16 bits)
39	Focus	000 ⇔ 255	0–100%
40	Focus fin	000 ⇔ 255	Contrôle fin (16 bits)

Canal	Fonction	Valeur	Pourcentage/Configuration
41	Focus automatique	000 ⇔ 010	Pas de fonction
		011 ⇔ 030	0–5 m focus automatique
		031 ⇔ 050	6 m focus automatique
		051 ⇔ 070	7 m focus automatique
		071 ⇔ 090	8 m focus automatique
		091 ⇔ 110	9 m focus automatique
		111 ⇔ 130	10 m focus automatique
		131 ⇔ 150	12.5 m focus automatique
		151 ⇔ 170	15 m focus automatique
		171 ⇔ 190	17.5 m focus automatique
		191 ⇔ 210	20–60 m focus automatique
		211 ⇔ 255	Détection automatique de distance
42	Zoom	000 ⇔ 255	0–100%
43	Zoom fin	000 ⇔ 255	Contrôle fin (16 bits)
44	Prisme 1	000 ⇔ 004	Pas de fonction
		005 ⇔ 255	Effet de prisme 1
45	Rotation de prisme 1	000 ⇔ 127	Index de rotation de prisme 1
		128 ⇔ 189	Rotation de prisme 1, rapide à lent
		190 ⇔ 193	Arrêt
		194 ⇔ 255	Rotation inverse de prisme 1, lent à rapide
46	Prisme 2	000 ⇔ 004	Pas de fonction
		005 ⇔ 255	Effet de prisme 2
47	Rotation de prisme 2	000 ⇔ 127	Index de rotation de prisme 2
		128 ⇔ 189	Rotation de prisme 2, rapide à lent
		190 ⇔ 193	Arrêt
		194 ⇔ 255	Rotation inverse de prisme 2, lent à rapide
48	Iris	000 ⇔ 063	Grand à petit
		064 ⇔ 127	Changement automatique, lent à rapide
		128 ⇔ 191	Étendre lent, rétrécir rapide (lent à rapide)
		192 ⇔ 255	Rétrécir lent, étendre rapide (lent à rapide)
49	Diffuseur 1	000 ⇔ 255	0–100%
50	Diffuseur 2	000 ⇔ 255	0–100%
51	Filtre CRI	000 ⇔ 004	Pas de fonction
		005 ⇔ 255	Filtre CRI
52	Macro CMY	000 ⇔ 009	Pas de fonction
		010 ⇔ 255	Macro CMY
53	Vitesse de macro CMY	000 ⇔ 255	Vitesse de macro CMY, rapide à lent

Canal	Fonction	Valeur	Pourcentage/Configuration
54	Contrôle	000 ⇔ 007	Pas de fonction
		008 ⇔ 015	Faire le noir pendant panoramique et inclinaison
		016 ⇔ 023	Faire le noir pendant couleur
		024 ⇔ 031	Faire le noir pendant gobo
		032 ⇔ 039	Faire le noir pendant panoramique/inclinaison/couleur
		040 ⇔ 047	Faire le noir pendant panoramique/inclinaison/gobo
		048 ⇔ 055	Faire le noir pendant panoramique/inclinaison/couleur/gobo
		056 ⇔ 095	Pas de fonction
		096 ⇔ 103	Réinitialisation panoramique
		104 ⇔ 111	Réinitialisation inclinaison
		112 ⇔ 119	Réinitialisation couleur
		120 ⇔ 127	Réinitialisation de roues de gobo et rotation gobo
		128 ⇔ 135	Pas de fonction
		136 ⇔ 143	Réinitialisation prismes
		144 ⇔ 151	Réinitialisation cadre
		152 ⇔ 159	Tout réinitialiser
		160 ⇔ 167	Réinitialisation iris
		168 ⇔ 175	Réinitialisation diffusion
		176 ⇔ 183	Réinitialisation zoom
		184 ⇔ 191	Réinitialisation CMY
		192 ⇔ 199	Ventilateur en mode ECO
		200 ⇔ 207	Vitesse maximale ventilateur
		208 ⇔ 215	Ventilateur automatique
		216 ⇔ 220	Pas de fonction
		221 ⇔ 225	Mode rapide iris
		226 ⇔ 230	Mode lisse iris
		231 ⇔ 235	Permutation panoramique/inclinaison activée
		236 ⇔ 240	Permutation panoramique/inclinaison désactivée
		241 ⇔ 246	FANTV25
		247 ⇔ 250	FANTV35
251 ⇔ 255	Pas de fonction		

Dmx Mode 38CH

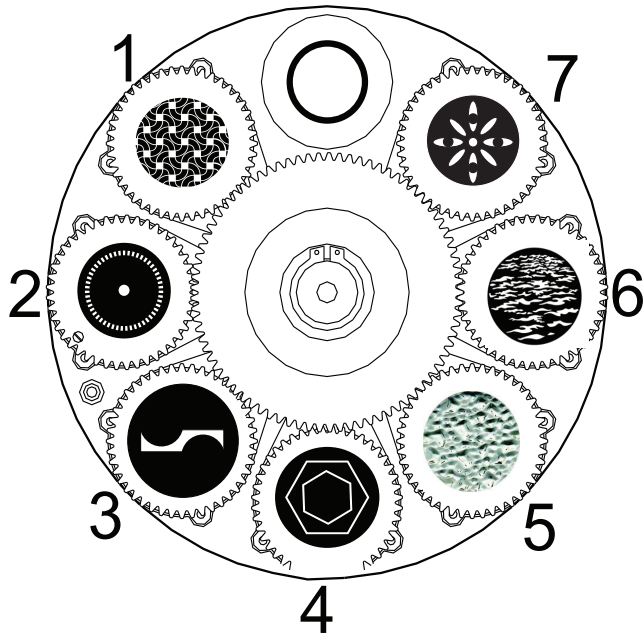
Canal	Fonction	Valeur	Pourcentage/Configuration
1	Pan	000 ⇔ 255	0–100%
2	Pan fin	000 ⇔ 255	Contrôle fin (16 bits)
3	Tilt	000 ⇔ 255	0–100%
4	Tilt fin	000 ⇔ 255	Contrôle fin (16 bits)
5	Vitesse de pan/tilt	000 ⇔ 255	Rapide à lent
6	Gradateur	000 ⇔ 255	0–100%
7	Obturateur	000 ⇔ 003	Fermé
		004 ⇔ 007	Ouvert
		008 ⇔ 076	Stroboscope, lent à rapide
		077 ⇔ 145	Stroboscope de pulsation, lent à rapide
		146 ⇔ 215	Stroboscope aléatoire lent à rapide
		216 ⇔ 255	Ouvert
8	Volet virtuel	000 ⇔ 001	Pas de fonction
		002 ⇔ 128	Stroboscope vibrant, lent à rapide
		129 ⇔ 255	Vibration que s'estompe, lent à rapide
9	Cyan	000 ⇔ 255	0–100%
10	Magenta	000 ⇔ 255	0–100%
11	Jaune	000 ⇔ 255	0–100%
12	CTO	000 ⇔ 255	0–100%
13	Roue de couleur	000 ⇔ 007	Ouvert
		008 ⇔ 015	Rouge
		016 ⇔ 023	Orange
		024 ⇔ 031	Vert
		032 ⇔ 039	Jaune
		040 ⇔ 047	Bleu foncé
		048 ⇔ 059	8000K CTB
		060 ⇔ 187	Indexation de roue de couleur
		188 ⇔ 219	Défilement de couleur, rapide à lent
		220 ⇔ 223	Arrêt
224 ⇔ 255	Défilement inverse de couleur, lent à rapide		
14	Roue de gobo 1 (rotative) (voir Dessins de Gobo)	000 ⇔ 007	Ouvert
		008 ⇔ 015	Gobo 1 (bateaux à voile)
		016 ⇔ 023	Gobo 2 (point radial)
		024 ⇔ 031	Gobo 3 (lame de tondeuse)
		032 ⇔ 039	Gobo 4 (boulons)
		040 ⇔ 047	Gobo 5 (verre de douche)
		048 ⇔ 055	Gobo 6 (nuages balistiques)
		056 ⇔ 063	Gobo 7 (quatre yeux)
		064 ⇔ 071	Tremblement gobo 7
		072 ⇔ 079	Tremblement gobo 6
		080 ⇔ 087	Tremblement gobo 5
		088 ⇔ 095	Tremblement gobo 4
		096 ⇔ 103	Tremblement gobo 3
		104 ⇔ 111	Tremblement gobo 2
		112 ⇔ 119	Tremblement gobo 1
		120 ⇔ 127	Ouvert
		128 ⇔ 191	Défilement de gobo, lent à rapide
192 ⇔ 255	Défilement inverse de gobo, lent à rapide		
15	Rotation de roue de gobo 1	000 ⇔ 063	Index de rotation de gobo
		064 ⇔ 145	Rotation de gobo, rapide à lent
		146 ⇔ 149	Arrêt
		150 ⇔ 231	Rotation inverse de gobo, lent à rapide
		232 ⇔ 255	Effet de rebond, court à long

Canal	Fonction	Valeur	Pourcentage/Configuration
16	Roue de gobo 2 (statique) (voir Dessins de Gobo)	000 ⇔ 005	Ouvert
		006 ⇔ 011	Gobo 1 (faisceau)
		012 ⇔ 017	Gobo 2 (bars)
		018 ⇔ 023	Gobo 3 (cercles)
		024 ⇔ 029	Gobo 4 (rompre)
		030 ⇔ 035	Gobo 5 (points)
		036 ⇔ 041	Gobo 6 (circuits)
		042 ⇔ 047	Gobo 7 (triangles)
		048 ⇔ 053	Gobo 8 (forêt)
		054 ⇔ 063	Gobo 9 (arcs en ciel)
		064 ⇔ 069	Tremblement gobo 9
		070 ⇔ 075	Tremblement gobo 8
		076 ⇔ 081	Tremblement gobo 7
		082 ⇔ 087	Tremblement gobo 6
		088 ⇔ 093	Tremblement gobo 5
		094 ⇔ 099	Tremblement gobo 4
		100 ⇔ 105	Tremblement gobo 3
		106 ⇔ 111	Tremblement gobo 2
		112 ⇔ 117	Tremblement gobo 1
118 ⇔ 127	Ouvert		
128 ⇔ 191	Défilement de gobo, lent à rapide		
192 ⇔ 255	Défilement inverse de gobo, lent à rapide		
17	Roue d'animation	000 ⇔ 255	Effet d'animation, 0–100%
18	Rotation de roue d'animation	000 ⇔ 124	Rotation de roue d'animation, rapide à lent
		125 ⇔ 130	Arrêt
		131 ⇔ 255	Rotation inverse de roue d'animation, lent à rapide
19	Lame 1-1	000 ⇔ 255	0–100%
20	Lame 1-2	000 ⇔ 255	0–100%
21	Lame 2-1	000 ⇔ 255	0–100%
22	Lame 2-2	000 ⇔ 255	0–100%
23	Lame 3-1	000 ⇔ 255	0–100%
24	Lame 3-2	000 ⇔ 255	0–100%
25	Lame 4-1	000 ⇔ 255	0–100%
26	Lame 4-2	000 ⇔ 255	0–100%
27	Rotation de cadre	000 ⇔ 255	0–100%
28	Focus	000 ⇔ 255	0–100%
29	Zoom	000 ⇔ 255	0–100%
30	Prisme 1	000 ⇔ 004	Pas de fonction
		005 ⇔ 255	Effet de prisme 1
31	Rotation de prisme 1	000 ⇔ 127	Index de rotation de prisme 1
		128 ⇔ 189	Rotation de prisme 1, rapide à lent
		190 ⇔ 193	Arrêt
		194 ⇔ 255	Rotation inverse de prisme 1, lent à rapide
32	Prisme 2	000 ⇔ 004	Pas de fonction
		005 ⇔ 255	Effet de prisme 2
33	Rotation de prisme 2	000 ⇔ 127	Index de rotation de prisme 2
		128 ⇔ 189	Rotation de prisme 2, rapide à lent
		190 ⇔ 193	Arrêt
		194 ⇔ 255	Rotation inverse de prisme 2, lent à rapide
34	Iris	000 ⇔ 063	Grand à petit
		064 ⇔ 127	Changement automatique, lent à rapide
		128 ⇔ 191	Étendre lent, rétrécir rapide (lent à rapide)
		192 ⇔ 255	Rétrécir lent, étendre rapide (lent à rapide)
35	Diffuseur 1	000 ⇔ 255	0–100%
36	Diffuseur 2	000 ⇔ 255	0–100%

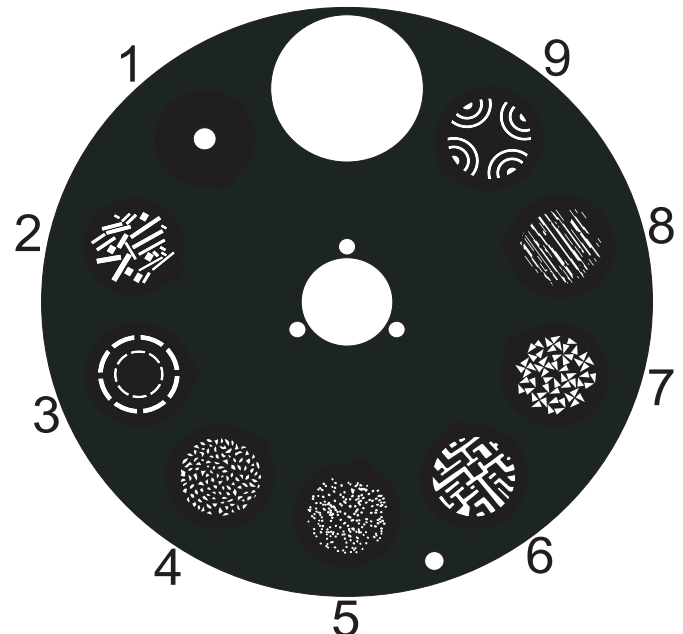
FR

Canal	Fonction	Valeur	Pourcentage/Configuration
37	Filtre CRI	000 ⇔ 004	Pas de fonction
		005 ⇔ 255	Filtre CRI
38	Contrôle	000 ⇔ 007	Pas de fonction
		008 ⇔ 015	Faire le noir pendant panoramique et inclinaison
		016 ⇔ 023	Faire le noir pendant couleur
		024 ⇔ 031	Faire le noir pendant gobo
		032 ⇔ 039	Faire le noir pendant panoramique/inclinaison/couleur
		040 ⇔ 047	Faire le noir pendant panoramique/inclinaison/gobo
		048 ⇔ 055	Faire le noir pendant panoramique/inclinaison/couleur/gobo
		056 ⇔ 095	Pas de fonction
		096 ⇔ 103	Réinitialisation panoramique
		104 ⇔ 111	Réinitialisation inclinaison
		112 ⇔ 119	Réinitialisation couleur
		120 ⇔ 127	Réinitialisation de roues de gobo & rotation gobo
		128 ⇔ 135	Pas de fonction
		136 ⇔ 143	Réinitialisation prismes
		144 ⇔ 151	Réinitialisation cadre
		152 ⇔ 159	Tout réinitialiser
		160 ⇔ 167	Réinitialisation iris
		168 ⇔ 175	Réinitialisation diffusion
		176 ⇔ 183	Réinitialisation zoom
		184 ⇔ 191	Réinitialisation CMY
		192 ⇔ 199	Ventilateur en mode ECO
		200 ⇔ 207	Vitesse maximale ventilateur
		208 ⇔ 215	Ventilateur automatique
		216 ⇔ 220	Pas de fonction
		221 ⇔ 225	Mode rapide iris
		226 ⇔ 230	Mode lisse iris
		231 ⇔ 235	Permutation panoramique/inclinaison activée
		236 ⇔ 240	Permutation panoramique/inclinaison désactivée
		241 ⇔ 246	FANTV25
		247 ⇔ 250	FANTV35
251 ⇔ 255	Pas de fonction		

Dessins de Gobo



Roue de Gobo 1 (Rotative)



Roue de Gobo 2 (Statique)

Roue de Gobo	Gobo #	Description
Roue de Gobo 1 (rotative)	1	Bateaux à voile
	2	Point radial
	3	Lame de tondeuse
	4	Boulons
	5	Verre de douche
	6	Nuages balistiques
	7	Quatre yeux
Roue de Gobo 2 (statique)	1	Faisceau
	2	Bars
	3	Cercles
	4	Rompres
	5	Points
	6	Circuits
	7	Triangles
	8	Forêt
	9	Arcs en ciel

Über diese Schnellanleitung

In der Schnellanleitung des Maverick Force 3 Profile finden Sie die wesentlichen Produktinformationen, wie etwa über die Montage, Menüoptionen und DMX-Werte des Geräts. Laden Sie für weiterführende Informationen unter www.chauvetprofessional.com das Benutzerhandbuch herunter.

Haftungsausschluss

Die in dieser Anleitung aufgeführten Informationen und Spezifikationen können ohne vorherige Ankündigung geändert werden.

EINGESCHRÄNKTE GARANTIE

ZUR REGISTRIERUNG FÜR GARANTIEANSPRÜCHE UND ZUR EINSICHT IN DIE VOLLSTÄNDIGEN GESCHÄFTSBEDINGUNGEN BESUCHEN SIE BITTE UNSERE WEBSITE.

Für Kunden in den USA und in Mexiko: www.chauvetlighting.com/warranty-registration.

Für Kunden im Vereinigten Königreich, in Irland, Belgien, den Niederlanden, Luxemburg, Frankreich und Deutschland: www.chauvetlighting.eu/warranty-registration.

Chauvet garantiert für die in der auf unserer Website veröffentlichten vollständigen eingeschränkten Garantie genannten Dauer und unter Vorbehalt der darin genannten Haftungsausschlüsse und -beschränkungen, dass dieses Produkt bei normalen Gebrauch frei von Material- und Verarbeitungsfehlern ist. Diese Garantie erstreckt sich nur auf den Erstkäufer des Produkts und ist nicht übertragbar. Zur Ausübung der unter dieser Garantie gewährten Rechte ist der Kaufbeleg in Form der Originalrechnung von einem autorisierten Händler vorzulegen, in der die Produktbezeichnung und das Kaufdatum vermerkt sein müssen. **ES BESTEHEN KEINE WEITEREN AUSDRÜCKLICHEN ODER STILLSCHWEIGENDEN GARANTIEN.** Diese Garantie gibt Ihnen besondere gesetzliche Rechte. Und Sie haben möglicherweise weitere Rechte, die von Land zu Land unterschiedlich sein können. Diese Garantie ist nur in den USA, im Vereinigten Königreich, in Irland, Belgien, den Niederlanden, Luxemburg, Frankreich, Deutschland und Mexiko gültig. Bezüglich der Garantiebestimmungen in anderen Ländern wenden Sie sich bitte an Ihren lokalen Händler.

Sicherheitshinweise

- Dieses Gerät NICHT öffnen. Die eingebauten Komponenten sind für den Kunden wartungsfrei.
- NIEMALS in die Lichtquelle schauen, während das Gerät eingeschaltet ist.
- VORSICHT: Blitzlicht kann nachweislich epileptische Anfälle auslösen. Der Bediener ist angehalten, die vor Ort geltenden Vorschriften und Gesetze zum Einsatz von Stroboskopgeräten einzuhalten.
- Um unnötigen Verschleiß zu vermeiden und die Lebensdauer des Geräts zu verlängern, trennen Sie während längerer Perioden des Nichtgebrauchs das Gerät vom Stromnetz – entweder per Trennschalter oder durch Herausziehen des Steckers aus der Steckdose.
- VORSICHT: Beim Transport des Geräts von einer Umgebung mit außergewöhnlichen Temperaturen in eine andere solche Umgebung (z. B. aus einem kalten Transporter in einen warm-feuchten Ballsaal) kann an der im Gerät enthaltenen Elektronik Wasser kondensieren. Um einen Defekt zu vermeiden, muss sich das Gerät erst in der neuen Umgebung akklimatisiert haben, bevor es an die Stromversorgung angeschlossen werden kann.
- VORSICHT: Das Gehäuse dieses Produkts kann während des Betriebs heiß werden.
- Installieren Sie das Gerät an einem Ort mit ausreichender Belüftung und mit einem Abstand von mindestens 50 cm zu den angrenzenden Flächen.
- Belassen Sie KEINE entflammaren Materialien in einem Umkreis von 50 cm dieses Geräts, während es in Betrieb oder an der Stromversorgung angeschlossen ist.
- VERWENDEN Sie bei Montage über Kopf immer ein Sicherheitsseil.
- Nehmen sie das Gerät NICHT im Freien oder an einem Ort in Betrieb, der durch Staubentwicklung, übermäßige Hitze, Wasser oder hohe Luftfeuchtigkeit charakterisiert ist. (IP20)
- NIEMALS das Gerät in Betrieb nehmen, wenn Ihnen das Gehäuse, die Linsen oder das Kabel beschädigt erscheinen.
- Schließen Sie dieses Gerät NICHT an einen Dimmer oder Regelwiderstand an.
- Schließen Sie dieses Produkt NUR an einen mit der Erde verbundenen und geschützten Stromkreis an.
- Das Gerät NUR an den Hänge-/Befestigungsbügeln oder Griffen tragen.
- Bei ernsthaften Betriebsproblemen stoppen Sie umgehend die Verwendung des Geräts.
- Die maximal zulässige Umgebungstemperatur beträgt 45 °C. Nehmen Sie das Gerät nicht bei höheren Temperaturen in Betrieb.

FCC-Konformität

Dieses Gerät erfüllt Teil 15, Teil B, der FCC-Bestimmungen. Der Betrieb ist an folgende zwei Bedingungen geknüpft:

1. Dieses Gerät darf keine schädlichen Interferenzen verursachen, und
2. Dieses Gerät muss empfangende Interferenzen aufnehmen können, auch Interferenzen, die eventuell einen unerwünschten Betrieb verursachen.

Jegliche Änderungen oder Modifikationen, die nicht ausdrücklich von der Partei genehmigt wurden, die für die Compliance zuständig ist, könnten die Berechtigung des Benutzers zum Betrieb dieses Geräts aufheben.

Warnung vor Exposition gegenüber HF für Nordamerika und Australien

Warnung! Dieses Gerät entspricht den FCC-Grenzwerten für Strahlenbelastung, die für eine nicht kontrollierte Umgebung festgelegt wurden. Dieses Gerät sollte so installiert und in Betrieb gesetzt werden, dass ein Mindestabstand von 20 cm zwischen dem Gerät und Ihrem Körper gewährleistet ist. Der Sender darf nicht in der Nähe anderer Antennen oder Sender aufgestellt oder in Verbindung mit anderen Antennen oder Sendern betrieben werden.

Kontakt

Kunden außerhalb der USA, GB, Irland, Benelux, Frankreich, Deutschland oder Mexiko wenden sich an ihren Lieferanten, um den Kundensupport in Anspruch zu nehmen oder ein Produkt zurückzuschicken. Kontaktinformationen finden Sie im [Contact Us](#) am Ende dieses QRG.

Packungsinhalt

- Maverick Force 3 Profile
- 2 Omega-Hängebügel mit Befestigungsmaterial
- Seetronic Powerkon IP65 Netzkabel
- Schnellanleitung

Wechselstrom

Dieses Gerät verfügt über ein Vorschaltgerät, das automatisch die anliegende Spannung erkennt, sobald der Netzstecker in die Schukosteckdose gesteckt wird, und kann mit einer Eingangsspannung von 100~240 V AC, 50/60 Hz arbeiten.

Wechselstromstecker

Anschluss	Draht (USA)	Draht (Europa)	Schraubenfarbe
Stromführender AC-Leiter	Schwarz	Braun	Gelb/Messingfarben
AC-Neutralleiter	Weiß	Blau	Silber
AC-Erdungsleiter	Grün/Gelb	Grün/Gelb	Grün



Um unnötigen Verschleiß zu vermeiden und die Lebensdauer des Geräts zu verlängern, trennen Sie während längerer Perioden des Nichtgebrauchs das Gerät vom Stromnetz – entweder per Trennschalter oder durch Herausziehen des Steckers aus der Steckdose.

Auswechseln der Sicherung

1. Trennen Sie das Gerät vom Stromnetz.
2. Mit einem Flachkopfschraubendreher lösen Sie die Abdeckung des Sicherungshalters vom Gehäuse.
3. Entfernen Sie die durchgebrannte Sicherung, und ersetzen Sie diese durch eine Sicherung des gleichen Typs und mit den gleichen Werten.
4. Schrauben Sie die Abdeckung der Sicherung wieder ein, und schließen Sie das Gerät wieder an das Stromnetz an.

DMX-Verbindung

Der Maverick Force 3 Profile kann mit einem DMX-Controller betrieben werden, wenn eine 3- oder 5-polige DMX-Serienschaltung zum Einsatz kommt. Sie können sich eine Einführung in DMX unter www.chauvetprofessional.com herunterladen.

DMX-Anschluss

Der Maverick Force 3 Profile nutzt zur seiner Kontrollpersönlichkeiten: **38Ch** und **54Ch** eine 3- oder 5-polige DMX-Datenverbindung. Informationen zum Anschließen und Konfigurieren des Geräts für einen DMX-Betrieb finden Sie in der Bedienungsanleitung.

RDM (Remote Device Management)

Remote Device Management bzw. RDM ist ein Standard, mit dem DMX-aktivierte Geräte bidirektional entlang bestehender DMX-Kabel kommunizieren können. Lesen Sie die Bedienungsanleitung des DMX-Controllers oder wenden Sie sich an den Hersteller, da nicht alle DMX-Controller über diese Funktion verfügt. Der Maverick Force 3 Profile unterstützt das RDM-Protokoll, das ein Feedback zur Vornahme von Änderungen der Menüoptionen erlaubt. Laden Sie für weiterführende Informationen unter www.chauvetprofessional.com das Benutzerhandbuch herunter.

Signalanschlüsse

Sie können den Maverick Force 3 Profile per Ethernet mit einer Controller-Software verbinden. Werden an de mit Art-Net™ oder sACN kompatible Produkte zusammen mit dem Maverick Force 3 Profile verwendet, können Sie jedes der Produkte innerhalb eines einzigen Netzwerks ansteuern. Informationen zum Anschließen und Konfigurieren des Produkts für diese Signale finden Sie in der Bedienungsanleitung.

Art-Net™-Verbindung

Art-Net™ ist ein Ethernet-Protokoll, das mit TCP/IP eine große Menge an DMX512-Daten über ein großes Netzwerk an eine Neutrik® etherCON® RJ45-Verbindung überträgt. Das Dokument des Art-Net™-Protokolls können Sie unter www.chauvetprofessional.com herunterladen. Chauvet Professional empfiehlt für beste Ergebnisse die Verwendung von unicast Art-Net™. Art-Net™-Design und -Copyright Artistic Licence Holdings Ltd.

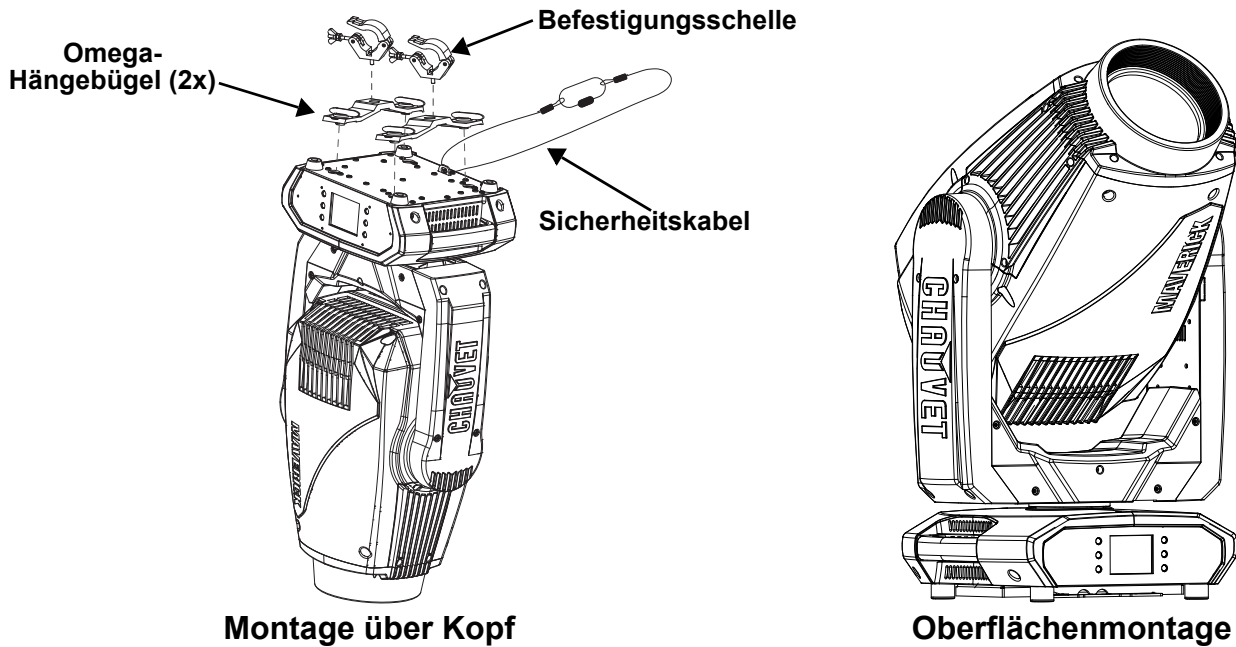
sACN-Verbindung

Das auch als ANSI E1.31 bekannte Streaming-ACN ist ein Ethernet-Protokoll, das auf das Layering und die Formatierung von Architecture for Control Networks zurückgreift, um DMX512-Daten "over IP" oder ein anderes mit ACN kompatibles Netzwerk übermittelt.

Montage

Lesen Sie vor der Montage dieses Geräts die [Sicherheitshinweise](#) durch. Mindestens zwei Befestigungspunkt pro Gerät verwenden. Stellen Sie sicher, dass die Befestigungsklemmen dafür ausgelegt sind, das Produktgewicht tragen zu können. Informationen zu unserer CHAUVET-Produktlinie für Befestigungsklemmen finden Sie unter <http://trusst.com/productcategory/truss-clamps/>.

Montageansicht

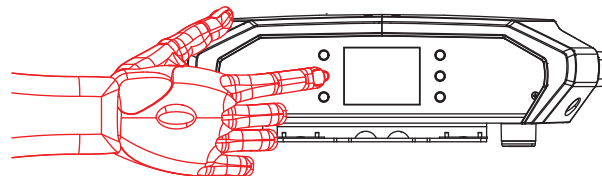


Beschreibung des Bedienfeldes

Taste	Name	Funktion
< ↑ >	<UP>	Damit navigieren Sie sich durch die Menüpunkte nach oben oder erhöhen den numerischen Wert der entsprechenden Funktion
< ≡ >	<MENU>	Damit verlassen Sie das aktuelle Menü oder die Funktion
< ↓ >	<DOWN>	Damit navigieren Sie sich durch die Menüpunkte nach unten oder verringern den numerischen Wert der entsprechenden Funktion
< ← >	<LEFT>	Damit navigieren Sie nach links durch die Menüpunkte
< ↵ >	<ENTER>	Damit wird das aktuell angezeigte Menü aktiviert oder der aktuell ausgewählte Wert einer Funktion eingestellt
< → >	<RIGHT>	Damit navigieren Sie nach rechts durch die Menüpunkte

Batteriebetriebene Anzeige

Halten Sie gedrückt, bis der Menübildschirm angezeigt wird (ungefähr 15 Sekunden).



Menüstruktur

Hauptebene	Programmirebenen		Beschreibung
Address	001–512		Stellt die Startadresse ein
Network Setup	IP Mode	Manual	Manuelle Einstellung der IP-Adresse
		DHCP	Netzwerk stellt IP-Adresse ein
		Static	Gerät stellt IP-Adresse ein
	Universe	000–255 (Art-Net™) 001–256 (sACN)	Stellt die Umgebung ein
	Ip	002.243.075.222	Legt IP-Adresse im manuellen Modus fest
	SubMask	255.000.000.000	Legt Subnetzmaske im manuellen Modus fest
Personality	Dmx Mode 38CH	NO	Wählt den 38-Kanal-Modus
		YES	
	Dmx Mode 54CH	NO	Wählt den 54-Kanal-Modus
		YES	
ControlMode	DMX	Legt das Steuerungsprotokoll fest	
	WDMX		
	ArtNet		
	sACN		
Pan Reverse	NO	Schwenk Normal	
	YES	Umgekehrte Schwenkung	
Tilt Reverse	NO	Neigung Normal	
	YES	Umgekehrte Neigung	
Screen Reverse	NO	Normale Anzeige	
	YES	Umgekehrte Anzeige	
	AUTO	Automatische Anzeigerichtung	
Pan Angle	540	Schwenkungsbereich 540°	
	360	Schwenkungsbereich 360°	
	180	Schwenkungsbereich 180°	
Tilt Angle	270	Neigungsbereich 270°	
	180	Neigungsbereich 180°	
	90	Neigungsbereich 90°	
BL. O. P/T Move	NO	Während Schwenkung/Neigung nicht verdunkeln	
	YES	Während Schwenkung/Neigung verdunkeln	
BL. O. Color Move	NO	Während das Farbrad bewegt nicht verdunkeln	
	YES	Während das Farbrad bewegt verdunkeln	
BL. O. Gobo Move	NO	Während das Goborad bewegt nicht verdunkeln	
	YES	Während das Goborad bewegt verdunkeln	
Calibration	NO	Kalibrierung deaktiviert	
	YES	Kalibrierung aktiviert	
Touchscreen Lock	NO	Touchscreen aktiviert	
	YES	Touchscreen deaktiviert	
Lock Screen	NO	Sperrt die Tasten und den Touchscreen-Bildschirm. Sicherheitscode: 0923	
	YES		
Swap XY	NO	Schwenkung und Neigung nicht tauschen	
	YES	Schwenkung steuert Neigung, und umgekehrt	

Hauptebene	Programmirebenen		Beschreibung
Settings (Fortsetzung)	WDMX Reset	NO	WDMX nicht zurücksetzen
		YES	WDMX zurücksetzen
	Backlight Timer	30S	Anzeige schaltet nach 30 Sekunden ab
		1M	Anzeige schaltet nach 1 Minute ab
		5M	Anzeige schaltet nach 5 Minuten ab
		ON	Anzeige bleibt an
	Loss of Data	Hold	Hält das zuletzt erhaltene Signal
		Close	Verdunkelt Gerät
	Fans	Auto	Lüfterdrehzahl gemäß Gerätetemperatur
		Full	Lüfterdrehzahl auf volle Drehzahl
		ECO	Lautloser Modus
		FANTV25	Hält den LED-Ausgang auf einer Umgebungstemperatur von 77 °F (25 °C) (FANTV25) oder 95 °F (35 °C) (FANTV35).
	Dimmer Curve	FANTV35	Wenn Sie diese Lüftermodi verwenden, stellen Sie die PWM Options auf 6000Hz oder 15000Hz ein, um mögliche Harmonisierungsgeräusche zu vermeiden.
		Linear	Stellt die Dimmungskurve ein
		Square	
		I Squa	
		SCurve	
	Linear2		
	PWM Option	600Hz	Legt die Frequenz der Puls-Weiten-Modulation fest
		1200Hz	
		4000Hz	
		6000Hz	
		15000Hz	
Preset Select	PRESET A	Aufgezeichnete Voreinstellungs-Menüoptionen	
	PRESET B		
	PRESET C		
Preset Sync	NO	Ermöglicht die Übermittlung Voreinstellungs-Menüoptionen an andere Maverick Force 3 Profile-Geräte in der DMX-Serienschaltung	
	YES		
USB Update	NO	Aktiviert/Deaktiviert die Aktualisierung über USB	
	YES		
Reset Function	Pan/Tilt	NO/YES	Setzt einzelne oder alle Funktionen ab Start zurück
	Iris/Prism		
	Color/CMY/Blade		
	Gobo/Gobo Rotate		
	Frost/Animation		
All			
Factory Settings	NO	Setzt auf die standardmäßigen Werkseinstellungen zurück	
	YES		

Hauptebene	Programmirebenen		Beschreibung
Test	Auto Test		Automatischer Test aller Funktionen
	Manual Test	Pan	000-255 Manuelle Steuerung und Test aller Einstellungen vom Bedienfeld aus
		Pan Fine	
		Tilt	
		Tilt Fine	
		P/T Speed	
		Dimmer	
		Dimmer Fine	
		Shutter	
		Virtual Shaking	
		Cyan	
		Magenta	
		Yellow	
		CTO	
		Color	
		Gobo	
		Gobo Rotate	
		Gobo Index	
		Gobo2	
		Animation	
		Animation Rotate	
		Blade1- 1	
		Blade1- 1 Fine	
		Blade1- 2	
		Blade1- 2 Fine	
		Blade2- 1	
		Blade2- 1 Fine	
		Blade2- 2	
		Blade2- 2 Fine	
		Blade3- 1	
		Blade3- 1 Fine	
		Blade3- 2	
Blade3- 2 Fine			
Blade4- 1			
Blade4- 1 Fine			
Blade4- 2			
Blade4- 2 Fine			
Blade Rotate			
Blade. Rota Fine			

Hauptebene	Programmirebenen		Beschreibung		
Test (Fortsetzung)	Manual Test (Fortsetzung)	Focus	000–255	Manuelle Steuerung und Test aller Einstellungen vom Bedienfeld aus	
		Focus Fine			
		Focus Auto			
		Zoom			
		Zoom Fine			
		Prism			
		Prism Rotate			
		Prism2			
		Prism2 Rotate			
		Iris			
		Frost			
		Frost2			
		CRI Filter			
		CMY Macro			
CMY Macro Speed					
Special Function					
Information	Fixture Information	Ver	V_	Zeigt die Firmware-Version an	
		Running Mode	---	Zeigt den aktuellen Betriebsmodus an	
		DMX Address	---	Zeigt die aktuelle DMX-Startadresse an	
		Temperature	---	Zeigt die aktuelle Temperatur in °C an	
		Fixture Hours	-----	Zeigt an, wie lange das Gerät eingeschaltet gewesen ist	
		Ip	-----	Zeigt die aktuelle IP-Adresse an	
		SubMask	-----	Zeigt die aktuelle Subnetzmaske an	
		MAC	-----	Zeigt die aktuelle MAC-Adresse an	
	Fan Information	head Fan1 Speed	----	Zeigt die Drehzahl der Kopflüfter in U/min an	
		head Fan2 Speed			
		head Fan3 Speed			
		head Fan4 Speed			
		head Fan5 Speed			
		head Fan6 Speed			
	Channel Information	Error Information		-----	Zeigt jegliche Fehler oder "No Error!" an
			Frequency	---	Zeigt alle aktuellen Werte der Eingangssignale an, 000–255
			Pan		
			Pan Fine		
			Tilt		
			Tilt Fine		
P/T Speed					
Dimmer					
Dimmer Fine					
Shutter					
Virtual Shaking					
Cyan					
Magenta					
Yellow					
CTO					
Color					

Hauptebene	Programmirebenen		Beschreibung
Information (Fortsetzung)	Channel Information (Fortsetzung)	Gobo	---
		Gobo Rotate	
		Gobo Index	
		Gobo2	
		Animation	
		Animation Rotate	
		Blade1- 1	
		Blade1- 1 Fine	
		Blade1- 2	
		Blade1- 2 Fine	
		Blade2- 1	
		Blade2- 1 Fine	
		Blade2- 2	
		Blade2- 2 Fine	
		Blade3- 1	
		Blade3- 1 Fine	
		Blade3- 2	
		Blade3- 2 Fine	
		Blade4- 1	
		Blade4- 1 Fine	
		Blade4- 2	
		Blade4- 2 Fine	
		Blade Rotate	
		Blade. Rota Fine	
		Focus	
		Focus Fine	
		Focus Auto	
		Zoom	
		Zoom Fine	
		Prism	
		Prism Rotate	
		Prism2	
		Prism2 Rotate	
Iris			
Frost			
Frost2			
CRI Filter			
CMY Macro			
CMY Macro Speed			
Special Function			

DMX Werte
Dmx Mode 54CH

Kanal	Funktion	Wert	Prozent/Einstellung
1	Schwenkung	000 ⇔ 255	0–100%
2	Feinschwenkung	000 ⇔ 255	Feinkontrolle (16-Bit)
3	Neigung	000 ⇔ 255	0–100%
4	Feinneigung	000 ⇔ 255	Feinkontrolle (16-Bit)
5	Schwenk-/Neigungs-Geschwindigkeit	000 ⇔ 255	Schnell bis langsam
6	Dimmer	000 ⇔ 255	0–100%
7	Feine Dimmer	000 ⇔ 255	Feinkontrolle (16-Bit)
8	Shutter	000 ⇔ 003	Geschlossen
		004 ⇔ 007	Offen
		008 ⇔ 076	Stroboskop, langsam bis schnell
		077 ⇔ 145	Pulse-Strobe, langsam bis schnell
		146 ⇔ 215	Zufalls-Strobe, langsam bis schnell
		216 ⇔ 255	Offen
9	Virtuelles Stroboskop	000 ⇔ 001	Keine Funktion
		002 ⇔ 128	Schütteln-Strobe, langsam bis schnell
		129 ⇔ 255	Verblässen schütteln, langsam bis schnell
10	Cyan	000 ⇔ 255	0–100%
11	Magenta	000 ⇔ 255	0–100%
12	Gelb	000 ⇔ 255	0–100%
13	CTO	000 ⇔ 255	0–100%
14	Farbrad	000 ⇔ 007	Offen
		008 ⇔ 015	Rot
		016 ⇔ 023	Orange
		024 ⇔ 031	Grün
		032 ⇔ 039	Gelb
		040 ⇔ 047	Dunkelblau
		048 ⇔ 059	8000K CTB
		060 ⇔ 187	Farbrad-Indizierung
		188 ⇔ 219	Regenbogenfarben kreiseln, schnell bis langsam
		220 ⇔ 223	Anhalten
		224 ⇔ 255	Regenbogenfarben kreiseln umgekehrt, langsam bis schnell
15	Goborad 1 (rotierend) (siehe Gobo-Designs)	000 ⇔ 007	Offen
		008 ⇔ 015	Gobo 1 (Segelboote)
		016 ⇔ 023	Gobo 2 (Radialpunkt)
		024 ⇔ 031	Gobo 3 (Mäherklinge)
		032 ⇔ 039	Gobo 4 (Bolzen)
		040 ⇔ 047	Gobo 5 (Glas duschen)
		048 ⇔ 055	Gobo 6 (Ballistische Wolken)
		056 ⇔ 063	Gobo 7 (Vier Augen)
		064 ⇔ 071	Gobo 7 schütteln
		072 ⇔ 079	Gobo 6 schütteln
		080 ⇔ 087	Gobo 5 schütteln
		088 ⇔ 095	Gobo 4 schütteln
		096 ⇔ 103	Gobo 3 schütteln
		104 ⇔ 111	Gobo 2 schütteln
		112 ⇔ 119	Gobo 1 schütteln
		120 ⇔ 127	Offen
		128 ⇔ 191	Kreiseffekt, langsam bis schnell
		192 ⇔ 255	Kreiseffekt in umgekehrter Richtung, langsam bis schnell

Kanal	Funktion	Wert	Prozent/Einstellung
16	Gobo 1 Rotation	000 ⇔ 063	Rotierender Gobo-Indizierung
		064 ⇔ 145	Gobo-Rotationseffekt, schnell bis langsam
		146 ⇔ 149	Anhalten
		150 ⇔ 231	Umgekehrter Gobo-Rotationseffekt, langsam bis schnell
		232 ⇔ 255	Bounce-Effekt, kurz bis lang
17	Goborad 1 Indexierung	000 ⇔ 255	Feinkontrolle (16-Bit)
18	Goborad 2 (statisch) (siehe Gobo-Designs)	000 ⇔ 005	Offen
		006 ⇔ 011	Gobo 1 (Strahl)
		012 ⇔ 017	Gobo 2 (Riegel)
		018 ⇔ 023	Gobo 3 (Kreise)
		024 ⇔ 029	Gobo 4 (Beenden)
		030 ⇔ 035	Gobo 5 (Punkte)
		036 ⇔ 041	Gobo 6 (Schaltungen)
		042 ⇔ 047	Gobo 7 (Dreiecke)
		048 ⇔ 053	Gobo 8 (Wald)
		054 ⇔ 063	Gobo 9 (Regenbögen)
		064 ⇔ 069	Gobo 9 schütteln
		070 ⇔ 075	Gobo 8 schütteln
		076 ⇔ 081	Gobo 7 schütteln
		082 ⇔ 087	Gobo 6 schütteln
		088 ⇔ 093	Gobo 5 schütteln
		094 ⇔ 099	Gobo 4 schütteln
		100 ⇔ 105	Gobo 3 schütteln
106 ⇔ 111	Gobo 2 schütteln		
112 ⇔ 117	Gobo 1 schütteln		
118 ⇔ 127	Offen		
128 ⇔ 191	Kreiseffekt, langsam bis schnell		
192 ⇔ 255	Kreiseffekt in umgekehrter Richtung, langsam bis schnell		
19	Animationsrad	000 ⇔ 255	Animationseffekt, 0–100%
20	Animationsrad Rotation	000 ⇔ 124	Animationsrad-Rotation, schnell bis langsam
		125 ⇔ 130	Anhalten
		131 ⇔ 255	Umgekehrter Animationsrad-Rotation, langsam bis schnell
21	Klinge 1-1	000 ⇔ 255	0–100%
22	Klinge 1-1 fein	000 ⇔ 255	Feinkontrolle (16-Bit)
23	Klinge 1-2	000 ⇔ 255	0–100%
24	Klinge 1-2 fein	000 ⇔ 255	Feinkontrolle (16-Bit)
25	Klinge 2-1	000 ⇔ 255	0–100%
26	Klinge 2-1 fein	000 ⇔ 255	Feinkontrolle (16-Bit)
27	Klinge 2-2	000 ⇔ 255	0–100%
28	Klinge 2-2 fein	000 ⇔ 255	Feinkontrolle (16-Bit)
29	Klinge 3-1	000 ⇔ 255	0–100%
30	Klinge 3-1 fein	000 ⇔ 255	Feinkontrolle (16-Bit)
31	Klinge 3-2	000 ⇔ 255	0–100%
32	Klinge 3-2 fein	000 ⇔ 255	Feinkontrolle (16-Bit)
33	Klinge 4-1	000 ⇔ 255	0–100%
34	Klinge 4-1 fein	000 ⇔ 255	Feinkontrolle (16-Bit)
35	Klinge 4-2	000 ⇔ 255	0–100%
36	Klinge 4-2 fein	000 ⇔ 255	Feinkontrolle (16-Bit)
37	Rahmen Rotation	000 ⇔ 255	0–100%
38	Rahmen feine-Rotation	000 ⇔ 255	Feinkontrolle (16-Bit)
39	Fokus	000 ⇔ 255	0–100%
40	Feiner Fokus	000 ⇔ 255	Feinkontrolle (16-Bit)

Kanal	Funktion	Wert	Prozent/Einstellung
41	Automatischer Fokus	000 ⇔ 010	Keine Funktion
		011 ⇔ 030	0–5 m
		031 ⇔ 050	6 m
		051 ⇔ 070	7 m
		071 ⇔ 090	8 m
		091 ⇔ 110	9 m
		111 ⇔ 130	10 m
		131 ⇔ 150	12.5 m
		151 ⇔ 170	15 m
		171 ⇔ 190	17.5 m
		191 ⇔ 210	20–60 m
		211 ⇔ 255	Entfernung automatisch ermitteln
42	Zoom	000 ⇔ 255	0–100%
43	Feiner Zoom	000 ⇔ 255	Feinkontrolle (16-Bit)
44	Prisma 1	000 ⇔ 004	Keine Funktion
		005 ⇔ 255	Prismeneffekt 1
45	Prisma 1 Rotation	000 ⇔ 127	Prisma 1 Rotation-Indexierung
		128 ⇔ 189	Prisma 1 Rotation, schnell bis langsam
		190 ⇔ 193	Anhalten
		194 ⇔ 255	Umgekehrter Prisma 1 Rotation, langsam bis schnell
46	Prisma 2	000 ⇔ 004	Keine Funktion
		005 ⇔ 255	Prismeneffekt 2
47	Prisma 2 Rotation	000 ⇔ 127	Prisma 2 Rotation-Indexierung
		128 ⇔ 189	Prisma 2 Rotation, schnell bis langsam
		190 ⇔ 193	Anhalten
		194 ⇔ 255	Umgekehrter Prisma 2 Rotation, langsam bis schnell
48	Irisblende	000 ⇔ 063	Groß bis klein
		064 ⇔ 127	Automatisch ändern, langsam bis schnell
		128 ⇔ 191	Langsam ausdehnen, schnell schrumpfen (langsam bis schnell)
		192 ⇔ 255	Langsam schrumpfen, schnell ausdehnen (langsam bis schnell)
49	Frosteffekt 1	000 ⇔ 255	0–100%
50	Frosteffekt 2	000 ⇔ 255	0–100%
51	CRI-Filter	000 ⇔ 004	Keine Funktion
		005 ⇔ 255	CR-Filter
52	CMY-Makro	000 ⇔ 009	Keine Funktion
		010 ⇔ 255	CMY-Makro
53	Makro Geschwindigkeit	000 ⇔ 255	CMY-Makro Geschwindigkeit, schnell bis langsam

Kanal	Funktion	Wert	Prozent/Einstellung
54	Steuerung	000 ⇔ 007	Keine Funktion
		008 ⇔ 015	XY Verdunkelung
		016 ⇔ 023	C Verdunkelung
		024 ⇔ 031	G Verdunkelung
		032 ⇔ 039	XY/C Verdunkelung
		040 ⇔ 047	XY/G Verdunkelung
		048 ⇔ 055	XY/C/G Verdunkelung
		056 ⇔ 095	Keine Funktion
		096 ⇔ 103	X zurücksetzen
		104 ⇔ 111	Y zurücksetzen
		112 ⇔ 119	Farbrad zurücksetzen
		120 ⇔ 127	Goborädern und Rotation zurücksetzen
		128 ⇔ 135	Keine Funktion
		136 ⇔ 143	Prismen zurücksetzen
		144 ⇔ 151	Klingen und Rahmen zurücksetzen
		152 ⇔ 159	Alle zurücksetzen
		160 ⇔ 167	Irisblende zurücksetzen
		168 ⇔ 175	Frosteffekt zurücksetzen
		176 ⇔ 183	Zoom zurücksetzen
		184 ⇔ 191	CMY zurücksetzen
		192 ⇔ 199	Lüfter im ECO-Modus
		200 ⇔ 207	Lüfter bei voller Geschwindigkeit
		208 ⇔ 215	Automatische Geschwindigkeit des Lüfters
		216 ⇔ 220	Keine Funktion
		221 ⇔ 225	Irisblende schneller Modus
		226 ⇔ 230	Irisblende glatter Modus
		231 ⇔ 235	XY tauschen aktiviert
		236 ⇔ 240	XY tauschen deaktiviert
		241 ⇔ 246	FANTV25
		247 ⇔ 250	FANTV35
		251 ⇔ 255	Keine Funktion

Dmx Mode 38CH

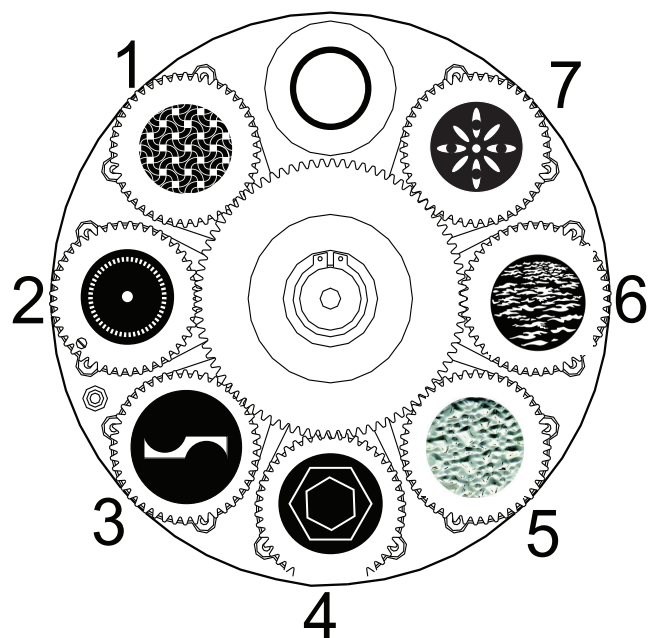
Kanal	Funktion	Wert	Prozent/Einstellung
1	Schwenkung	000 ⇔ 255	0–100%
2	Feinschwenkung	000 ⇔ 255	Feinkontrolle (16-Bit)
3	Neigung	000 ⇔ 255	0–100%
4	Feinneigung	000 ⇔ 255	Feinkontrolle (16-Bit)
5	Schwenk-/Neigungs-Geschwindigkeit	000 ⇔ 255	Schnell bis langsam
6	Dimmer	000 ⇔ 255	0–100%
7	Shutter	000 ⇔ 003	Geschlossen
		004 ⇔ 007	Offen
		008 ⇔ 076	Stroboskop, langsam bis schnell
		077 ⇔ 145	Pulse-Strobe, langsam bis schnell
		146 ⇔ 215	Zufalls-Strobe, langsam bis schnell
		216 ⇔ 255	Offen
8	Virtuelles Stroboskop	000 ⇔ 001	Keine Funktion
		002 ⇔ 128	Schütteln-Strobe, langsam bis schnell
		129 ⇔ 255	Verblassen schütteln, langsam bis schnell
9	Cyan	000 ⇔ 255	0–100%
10	Magenta	000 ⇔ 255	0–100%
11	Gelb	000 ⇔ 255	0–100%
12	CTO	000 ⇔ 255	0–100%
13	Farbrad	000 ⇔ 007	Offen
		008 ⇔ 015	Rot
		016 ⇔ 023	Orange
		024 ⇔ 031	Grün
		032 ⇔ 039	Gelb
		040 ⇔ 047	Dunkelblau
		048 ⇔ 059	8000K CTB
		060 ⇔ 187	Farbrad-Indizierung
		188 ⇔ 219	Regenbogenfarben kreiseln, schnell bis langsam
		220 ⇔ 223	Anhalten
224 ⇔ 255	Regenbogenfarben kreiseln umgekehrt, langsam bis schnell		
14	Goborad 1 (rotierend) (siehe Gobo-Designs)	000 ⇔ 007	Offen
		008 ⇔ 015	Gobo 1 (Segelboote)
		016 ⇔ 023	Gobo 2 (Radialpunkt)
		024 ⇔ 031	Gobo 3 (Mäherklinge)
		032 ⇔ 039	Gobo 4 (Bolzen)
		040 ⇔ 047	Gobo 5 (Glas duschen)
		048 ⇔ 055	Gobo 6 (Ballistische Wolken)
		056 ⇔ 063	Gobo 7 (Vier Augen)
		064 ⇔ 071	Gobo 7 schütteln
		072 ⇔ 079	Gobo 6 schütteln
		080 ⇔ 087	Gobo 5 schütteln
		088 ⇔ 095	Gobo 4 schütteln
		096 ⇔ 103	Gobo 3 schütteln
		104 ⇔ 111	Gobo 2 schütteln
		112 ⇔ 119	Gobo 1 schütteln
		120 ⇔ 127	Offen
		128 ⇔ 191	Kreiseffekt, langsam bis schnell
192 ⇔ 255	Kreiseffekt in umgekehrter Richtung, langsam bis schnell		
15	Gobo 1 Rotation	000 ⇔ 063	Rotierender Gobo-Indizierung
		064 ⇔ 145	Gobo-Rotationseffekt, schnell bis langsam
		146 ⇔ 149	Anhalten
		150 ⇔ 231	Umgekehrter Gobo-Rotationseffekt, langsam bis schnell
		232 ⇔ 255	Bounce-Effekt, kurz bis lang

Kanal	Funktion	Wert	Prozent/Einstellung
16	Goborad 2 (statisch) (siehe Gobo-Designs)	000 ⇔ 005	Offen
		006 ⇔ 011	Gobo 1 (Strahl)
		012 ⇔ 017	Gobo 2 (Riegel)
		018 ⇔ 023	Gobo 3 (Kreise)
		024 ⇔ 029	Gobo 4 (Beenden)
		030 ⇔ 035	Gobo 5 (Punkte)
		036 ⇔ 041	Gobo 6 (Schaltungen)
		042 ⇔ 047	Gobo 7 (Dreiecke)
		048 ⇔ 053	Gobo 8 (Wald)
		054 ⇔ 063	Gobo 9 (Regenbögen)
		064 ⇔ 069	Gobo 9 schütteln
		070 ⇔ 075	Gobo 8 schütteln
		076 ⇔ 081	Gobo 7 schütteln
		082 ⇔ 087	Gobo 6 schütteln
		088 ⇔ 093	Gobo 5 schütteln
		094 ⇔ 099	Gobo 4 schütteln
		100 ⇔ 105	Gobo 3 schütteln
106 ⇔ 111	Gobo 2 schütteln		
112 ⇔ 117	Gobo 1 schütteln		
118 ⇔ 127	Offen		
128 ⇔ 191	Kreiseffekt, langsam bis schnell		
192 ⇔ 255	Kreiseffekt in umgekehrter Richtung, langsam bis schnell		
17	Animationsrad	000 ⇔ 255	Animationseffekt, 0–100%
18	Animationsrad Rotation	000 ⇔ 124	Animationsrad-Rotation, schnell bis langsam
		125 ⇔ 130	Anhalten
		131 ⇔ 255	Umgekehrter Animationsrad-Rotation, langsam bis schnell
19	Klinge 1-1	000 ⇔ 255	0–100%
20	Klinge 1-2	000 ⇔ 255	0–100%
21	Klinge 2-1	000 ⇔ 255	0–100%
22	Klinge 2-2	000 ⇔ 255	0–100%
23	Klinge 3-1	000 ⇔ 255	0–100%
24	Klinge 3-2	000 ⇔ 255	0–100%
25	Klinge 4-1	000 ⇔ 255	0–100%
26	Klinge 4-2	000 ⇔ 255	0–100%
27	Rahmen Rotation	000 ⇔ 255	0–100%
28	Fokus	000 ⇔ 255	0–100%
29	Zoom	000 ⇔ 255	0–100%
30	Prisma 1	000 ⇔ 004	Keine Funktion
		005 ⇔ 255	Prismeneffekt 1
31	Prisma 1 Rotation	000 ⇔ 127	Prisma 1 Rotation-Indexierung
		128 ⇔ 189	Prisma 1 Rotation, schnell bis langsam
		190 ⇔ 193	Anhalten
		194 ⇔ 255	Umgekehrter Prisma 1 Rotation, langsam bis schnell
32	Prisma 2	000 ⇔ 004	Keine Funktion
		005 ⇔ 255	Prismeneffekt 2
33	Prisma 2 Rotation	000 ⇔ 127	Prisma 2 Rotation-Indexierung
		128 ⇔ 189	Prisma 2 Rotation, schnell bis langsam
		190 ⇔ 193	Anhalten
		194 ⇔ 255	Umgekehrter Prisma 2 Rotation, langsam bis schnell
34	Irisblende	000 ⇔ 063	Groß bis klein
		064 ⇔ 127	Automatisch ändern, langsam bis schnell
		128 ⇔ 191	Langsam ausdehnen, schnell schrumpfen (langsam bis schnell)
		192 ⇔ 255	Langsam schrumpfen, schnell ausdehnen (langsam bis schnell)
35	Frosteffekt 1	000 ⇔ 255	0–100%
36	Frosteffekt 2	000 ⇔ 255	0–100%

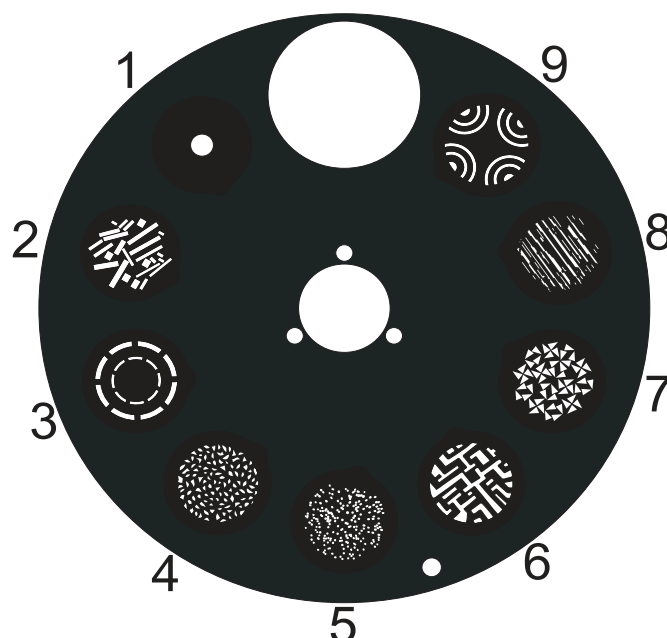
Kanal	Funktion	Wert	Prozent/Einstellung
37	CRI-Filter	000 ⇔ 004	Keine Funktion
		005 ⇔ 255	CR-Filter
38	Steuerung	000 ⇔ 007	Keine Funktion
		008 ⇔ 015	XY Verdunkelung
		016 ⇔ 023	C Verdunkelung
		024 ⇔ 031	G Verdunkelung
		032 ⇔ 039	XY/C Verdunkelung
		040 ⇔ 047	XY/G Verdunkelung
		048 ⇔ 055	XY/C/G Verdunkelung
		056 ⇔ 095	Keine Funktion
		096 ⇔ 103	X zurücksetzen
		104 ⇔ 111	Y zurücksetzen
		112 ⇔ 119	Farbrad zurücksetzen
		120 ⇔ 127	Goborädern und Rotation zurücksetzen
		128 ⇔ 135	Keine Funktion
		136 ⇔ 143	Prismen zurücksetzen
		144 ⇔ 151	Klingen und Rahmen zurücksetzen
		152 ⇔ 159	Alle zurücksetzen
		160 ⇔ 167	Irisblende zurücksetzen
		168 ⇔ 175	Frosteffekt zurücksetzen
		176 ⇔ 183	Zoom zurücksetzen
		184 ⇔ 191	CMY zurücksetzen
		192 ⇔ 199	Lüfter im ECO-Modus
		200 ⇔ 207	Lüfter bei voller Geschwindigkeit
		208 ⇔ 215	Automatische Geschwindigkeit des Lüfters
		216 ⇔ 220	Keine Funktion
		221 ⇔ 225	Irisblende schneller Modus
		226 ⇔ 230	Irisblende glatter Modus
		231 ⇔ 235	XY tauschen aktiviert
		236 ⇔ 240	XY tauschen deaktiviert
241 ⇔ 246	FANTV25		
247 ⇔ 250	FANTV35		
251 ⇔ 255	Keine Funktion		

DE

Gobo-Designs



Goborad 1 (Rotierend)



Goborad 2 (Statisch)

Goborad	Gobo #	Beschreibung
Goborad 1 (rotierend)	1	Segelboote
	2	Radialpunkt
	3	Mäherklinge
	4	Bolzen
	5	Glas duschen
	6	Ballistische Wolken
	7	Vier Augen
Goborad 2 (statisch)	1	Strahl
	2	Riegel
	3	Kreise
	4	Beenden
	5	Punkte
	6	Schaltungen
	7	Dreiecke
	8	Wald
	9	Regenbögen

Over deze handleiding

De Maverick Force 3 Profile Beknopte Handleiding (BH) bevat basisinformatie over het product, zoals aansluiting, montage, menu-opties en DMX-waarden. Download de gebruikershandleiding op www.chauvetprofessional.com voor meer informatie.

Disclaimer

De informatie en specificaties in deze BH kunnen zonder voorafgaande kennisgeving worden gewijzigd.

BEPERKTE GARANTIE

GA NAAR ONZE WEBSITE VOOR REGISTRATIE VAN DE GARANTIE EN DE VOLLEDIGE ALGEMENE VOORWAARDEN.

Voor klanten in de Verenigde Staten en Mexico: www.chauvetlighting.com/warranty-registration.

Voor klanten in het Verenigd Koninkrijk, Ierland, België, Nederland, Luxemburg, Frankrijk en Duitsland: www.chauvetlighting.eu/warranty-registration.

Chauvet garandeert dat dit product bij normaal gebruik vrij zal blijven van defecten in materiaal en vakmanschap, voor de opgegeven periode en onder voorbehoud van de uitzonderingen en beperkingen die zijn uiteengezet in de volledige beperkte garantie op onze website. Deze garantie geldt uitsluitend voor de oorspronkelijke koper van het product en is niet overdraagbaar. Om onder deze garantie rechten uit te oefenen, moet u een aankoopbewijs overleggen in de vorm van een origineel verkoopbewijs van een geautoriseerde dealer, waarop de naam van het product en de aankoopdatum zichtbaar zijn. ER ZIJN GEEN ANDERE EXPLICIETE OF IMPLICIETE GARANTIES. Deze garantie geeft u specifieke wettelijke rechten. Mogelijk heeft u ook andere rechten die van staat tot staat en van land tot land verschillen. Deze garantie is uitsluitend geldig in de Verenigde Staten, het Verenigd Koninkrijk, Ierland, België, Nederland, Luxemburg, Frankrijk, Duitsland en Mexico. Neem contact op met uw lokale verkoper voor garantievoorwaarden in andere landen.

Veiligheidsinstructies

- Open het product NIET. Het bevat geen te onderhouden onderdelen.
- KIJK NIET in de lichtbron wanneer het apparaat is ingeschakeld.
- LET OP: De knipperende lamp kan epileptische aanvallen opwekken. De gebruiker moet zich houden aan lokale wetgeving met betrekking tot melding van stroboscoopgebruik.
- Om onnodige slijtage te elimineren en zijn levensduur te verlengen, gedurende perioden wanneer het product niet wordt gebruikt, moet u het product van de stroom afsluiten door een aardlekschakelaar om te zetten of door het te ontkoppelen.
- LET OP: Bij het verplaatsen van het product uit extreme omgevingen, (bijv. koude vrachtwagen naar warme, vochtige balzaal) kan er condensvorming optreden op de elektronica van het product. Om storingen te vermijden moet het product volledig kunnen acclimatiseren aan de omgeving voordat het op stroom wordt aangesloten.
- LET OP: De behuizing van dit product kan heet zijn wanneer het in bedrijf is.
- Monteer dit product op een plek met voldoende ventilatie, ten minste 50 cm van de aangrenzende oppervlakken.
- Plaats geen ontvlambaar materiaal binnen 50 cm van dit product als het in gebruik is of is aangesloten op het stopcontact.
- GEBRUIK een veiligheidskabel bij het boven het hoofd plaatsen van dit product.
- Gebruik dit product NIET buitenshuis of op een locatie waar stof, grote warmte, water of vochtigheid het kunnen beïnvloeden. (IP20)
- Gebruik dit product NIET als de behuizing, lenzen of kabels beschadigd lijken.
- Sluit dit product NIET aan op een dimmer of een regelweerstand.
- Sluit dit product UITSLUITEND op een geaard en beveiligd stroomcircuit.
- Gebruik UITSLUITEND de montagebeugels of de hendels om dit product te dragen. Draag het product niet aan de bewegende kop.
- Stop in het geval van ernstige operationele problemen onmiddellijk met het gebruik.
- De maximale omgevingstemperatuur bedraagt 45 °C. Gebruik dit product niet bij hogere temperaturen.

FCC-naleving

Dit apparaat voldoet aan Part 15 Part B van de FCC-regels. Het gebruik is onderworpen aan de volgende twee voorwaarden:

1. Dit apparaat mag geen schadelijke interferentie veroorzaken, en
2. Dit apparaat moet enige ontvangen interferentie accepteren, inclusief interferentie die een ongewenste werking kan veroorzaken.

Eventuele wijzigingen of aanpassingen die niet uitdrukkelijk door de voor naleving verantwoordelijke partij zijn goedgekeurd, kan de bevoegdheid van de gebruiker om de apparatuur te bedienen ongeldig verklaren.

RF-blootstellingswaarschuwing voor Noord-Amerika en Australië

Waarschuwing! Deze apparatuur voldoet aan de FCC-limieten voor blootstelling aan straling die zijn vastgesteld voor een ongecontroleerde omgeving. Deze apparatuur moet geplaatst en gebruikt worden met een minimale afstand van 20 cm tussen de radiator en uw lichaam. Deze zender mag niet op dezelfde locatie worden gebruikt als of geplaatst worden bij een andere antenne of zender.

Contact

Van buiten de VS, Verenigd Koninkrijk, Ierland, Benelux, Frankrijk, Duitsland of Mexico kunt u contact opnemen met de distributeur of om ondersteuning vragen dan wel het product retourneren. Raadpleeg [Contact Us](#) aan het einde van deze BH voor contactinformatie.

Wat is inbegrepen

- Maverick Force 3 Profile
- Seetronic Powerkon IP65 stroomsnoer
- 2 Omegabeugels met bevestigingsapparatuur
- Beknopte handleiding

AC-stroom

Dit product heeft een voeding met automatisch bereik die werkt met een ingangsspanning van 100–240 VAC, 50/60 Hz.

AC-stekker

Aansluiting	Snoer (VS)	Snoer (Europa)	Schroefkleur
AC Live	Zwart	Bruin	Geel/messing
AC Neutraal	Wit	Blauw	Zilver
AC Aarde	Groen/geel	Groen/geel	Groen



Om onnodige slijtage te elimineren en zijn levensduur te verlengen, gedurende perioden wanneer het product niet wordt gebruikt, moet u het product van de stroom afsluiten door een aardlekschakelaar om te zetten of door het te ontkoppelen.

De zekering vervangen

1. Ontkoppel dit product van de stroom.
2. Gebruik een platkopschroevendraaier en schroef de kap van de zekeringhouder los van de behuizing.
3. Verwijder de doorgebrande zekering en vervang het met een werkende zekering van hetzelfde type en met dezelfde waarde.
4. Schroef de kap van de zekeringhouder terug en steek de stekker er weer in.

DMX-koppeling

De Maverick Force 3 Profile kan met een DMX-controller werken met een 3- of 5-pins DMX seriële verbinding. Op www.chauvetprofessional.com is een DMX basishandleiding verkrijgbaar.

DMX-aansluiting

De Maverick Force 3 Profile gebruikt een 3- of 5-pins DMX-gegevensverbinding voor zijn DMX-persoonlijkheden: **38Ch** en **54Ch**. Zie de gebruikershandleiding om te verbinden en te configureren voor DMX-werking.

RDM (apparaatbeheer op afstand)

Remote Device Management of RDM (apparaatbeheer op afstand) is een standaard die het voor DMX-apparaten mogelijk maakt om in twee richtingen te communiceren over bestaande DMX-kabels. De Maverick Force 3 Profile ondersteunt het RDM-protocol dat zorgt feedback toelaat bij de bewaking van wijzigingen aan de menu map-opties van. Download de gebruikershandleiding op www.chauvetprofessional.com voor meer informatie.

Signaal-verbindingen

U kunt de Maverick Force 3 Profile aansluiten op een controller of controllersoftware met behulp van een DMX-aansluiting, een ethernetverbinding of beide. Bij het gebruik van andere Art-Net™ of sACN-compatible producten met de Maverick Force 3 Profile, kunt u deze individueel aansturen op een enkel netwerk. Zie de gebruikershandleiding voor meer informatie over het verbinden en configureren van het product voor deze signalen.

Art-Net™ aansluiting

Art-Net™ is een ethernet-protocol dat gebruikmaakt van TCP/IP dat over een groot netwerk grote hoeveelheden DMX512-gegevens verzendt met behulp van een etherCON RJ45-verbinding. Een Art-Net™-protocoldocument is te verkrijgen op www.chauvetprofessional.com. Chauvet Professional raadt het gebruik van unicast-modus voor het beste resultaat.

Art-Net™ ontworpen en auteursrecht door Artistic Licence Holdings Ltd.

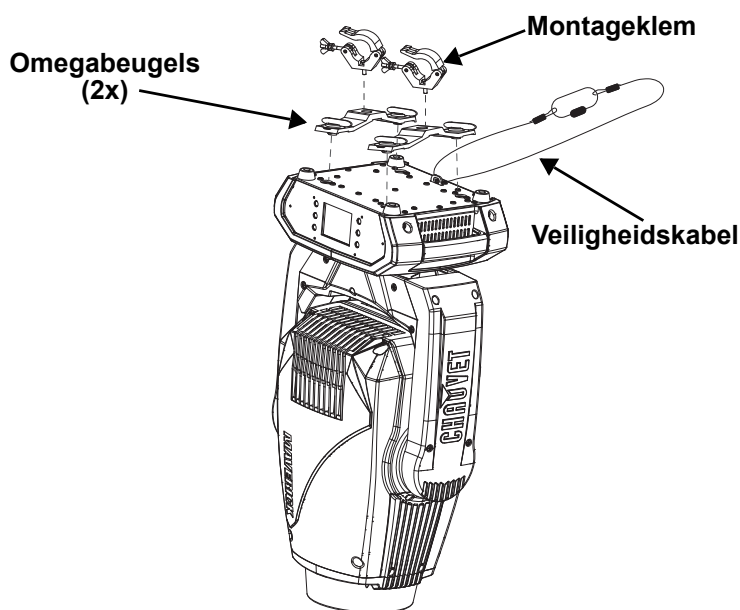
sACN aansluiting

Streaming-ACN staat ook wel bekend als ANSI E1.31 en is een ethernetprotocol dat de laag- en opmaakstructuur gebruikt van Architecture for Control Networks om DMX512-gegevens te transporteren over IP of een ander ACN compatibel netwerk.

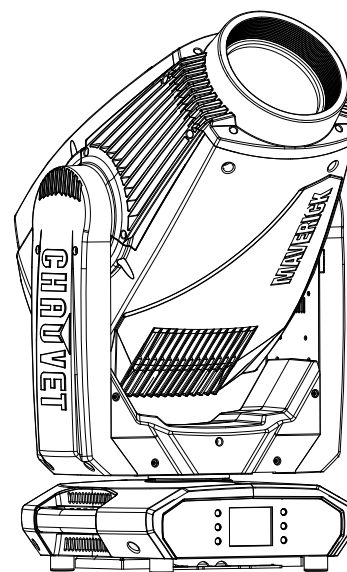
Montage

Lees alvorens dit product te monteren alle [Veiligheidsinstructies](#). Gebruik ten minste twee montagepunten per product. Controleer of de montageklem het gewicht van het product kan dragen. Ga voor onze Chauvet-serie montageklemmen naar <http://trusst.com/productcategory/truss-clamps/>.

Montagediagram van het product



Montage boven het hoofd



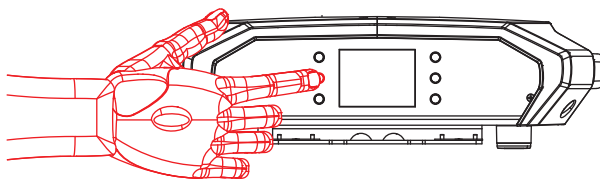
Plaatsing op de vloer

Beschrijving bedieningspaneel

Toets	Name	Functie
< ↑ >	<UP>	Navigeert omhoog via het menu of verhoogt de numerieke waarde wanneer in een functie
< ≡ >	<MENU>	Sluit het huidige menu of functie af
< ↓ >	<DOWN>	Navigeert omlaag via het menu of verlaagt de numerieke waarde wanneer in een functie
< ← >	<LEFT>	Navigeert naar links door de menulijst
< ↵ >	<ENTER>	Activeert het huidige getoonde menu of plaatst de huidige geselecteerde waarde in de geselecteerde functie
< → >	<RIGHT>	Navigeert naar rechts door de menulijst

Batterij-aangedreven display

Ingedrukt houden totdat het menuscherm verschijnt (ongeveer 15 seconden).



Menukaart

Hoofd-niveau	Programmeerniveaus		Beschrijving
Address	001-512		Stelt het startadres in
Network Setup	IP Mode	Manual	Stel het IP-adres handmatig in
		DHCP	Netwerk stelt het IP-adres in
		Static	Product stelt het IP-adres in
	Universe	000-255 (Art-Net™) 001-256 (sACN)	Stelt de universe in
	Ip	002.243.075.222	Stelt het IP-adres in handmatige modus in
	SubMask	255.000.000.000	Stelt het Subnet Mask in handmatige modus in
Personality	Dmx Mode 38CH	NO	Selecteert de 38-kanaalsmodus
		YES	
	Dmx Mode 54CH	NO	Selecteert de 54-kanaalsmodus
		YES	
Control Mode	DMX	Stelt het besturingsprotocol in	
	WDMX		
	ArtNet		
	sACN		
Pan Reverse	NO	Normale zwenkbediening	
	YES	Omgekeerde zwenkbediening	
Tilt Reverse	NO	Normale kantelbediening	
	YES	Omgekeerde kantelbediening	
Screen Reverse	NO	Display in normale oriëntatie	
	YES	Display in ondersteboven oriëntatie	
	AUTO	Automatische oriëntatie van het display	
Pan Angle	540	540° zwenkhoekbereik	
	360	360° zwenkhoekbereik	
	180	180° zwenkhoekbereik	
Tilt Angle	270	270° kantelhoekbereik	
	180	180° kantelhoekbereik	
	90	90° kantelhoekbereik	
BL. O. P/T Move	NO	Niet verduisteren tijdens kantelen/zwenken	
	YES	Verduisteren tijdens kantelen/zwenken	
BL. O. Color Move	NO	Niet verduisteren tijdens kleurenwiel beweegt	
	YES	Verduisteren tijdens kleurenwiel beweegt	
BL. O. Gobo Move	NO	Niet verduisteren tijdens gobowielen beweegt	
	YES	Verduisteren tijdens gobowielen beweegt	
Calibration	NO	Kalibratie uitgeschakeld	
	YES	Kalibratie ingeschakeld	
Touchscreen Lock	NO	Touchscreen ingeschakeld	
	YES	Touchscreen uitgeschakeld	
Lock Screen	NO	Vergrendel knoppen en touch screen	
	YES	Toegangscode: 0923	
Swap XY	NO	Niet kantelen en zwenken verwisselen	
	YES	Zwenken regelt kantelen, en omgekeerd	
WDMX Reset	NO	Niet WDMX resetten	
	YES	WDMX resetten	

Hoofdniveau	Programmeerniveaus		Beschrijving
Settings (vervolg)	Backlight Timer	30S	Beeldscherm schakelt uit na 30 seconden
		1M	Beeldscherm schakelt uit na 1 minuut
		5M	Beeldscherm schakelt uit na 5 minuten
		ON	Beeldscherm blijft aan
	Loss of Data	Hold	Houdt laatst ontvangen signaal vast
		Close	Verduistert de armatuur
	Fans	Auto	Ventilatorsnelheid in overeenstemming met de producttemperatuur
		Full	Ventilatorsnelheid op hoog ingesteld
		ECO	Stille modus
		FANTV25	Houdt de LED-output op peil tot een omgevingstemperatuur van 77 °F (25 °C) (FANTV25) of 95 °F (35 °C) (FANTV35).
	Dimmer Curve	FANTV35	Stel bij gebruik van deze ventilatormodi de PWM Options in op 6000Hz of 15000Hz om mogelijke harmonisatieruis te voorkomen.
		Linear	Stelt de dimcurve in
		Square	
		I Squa	
		SCurve	
	Linear2		
	PWM Option	600Hz	Selecteert de PWM-uitgangsfrequentie
		1200Hz	
		4000Hz	
		6000Hz	
	Preset Select	15000Hz	Opgenomen vooringestelde menuopties
		PRESET A	
		PRESET B	
	Preset Sync	PRESET C	Zorgt ervoor dat opgenomen vooringestelde menuopties worden overgezet op andere Maverick Force 3 Profile in de DMX-keten
		NO	
	USB Update	YES	Schakelt het bijwerken via USB in/uit
		NO	
Reset Function	YES	Reset individuele functies of alle functies vanaf het opstarten	
	Pan/Tilt		
	Iris/Prism		
	Color/CMY/Blade		
	Gobo/Gobo Rotate		
Frost/Animation			
Factory Settings	All	Reset naar standaard fabrieksinstellingen	
	NO		
	YES		

Hoofdniveau	Programmeerniveaus		Beschrijving
	Auto Test		Test alle functies automatisch
Test	Manual Test	Pan	000-255 Test en regel alle instellingen handmatig via het bedieningspaneel
		Pan Fine	
		Tilt	
		Tilt Fine	
		P/T Speed	
		Dimmer	
		Dimmer Fine	
		Shutter	
		Virtual Shaking	
		Cyan	
		Magenta	
		Yellow	
		CTO	
		Color	
		Gobo	
		Gobo Rotate	
		Gobo Index	
		Gobo2	
		Animation	
		Animation Rotate	
		Blade1- 1	
		Blade1- 1 Fine	
		Blade1- 2	
		Blade1- 2 Fine	
		Blade2- 1	
		Blade2- 1 Fine	
		Blade2- 2	
		Blade2- 2 Fine	
		Blade3- 1	
		Blade3- 1 Fine	
		Blade3- 2	
Blade3- 2 Fine			
Blade4- 1			
Blade4- 1 Fine			
Blade4- 2			
Blade4- 2 Fine			
Blade Rotate			
Blade. Rota Fine			

Hoofdniveau	Programmeerniveaus		Beschrijving	
Test (vervolg)	Manual Test (vervolg)	Focus	000-255	Test en regel alle instellingen handmatig via het bedieningspaneel
		Focus Fine		
		Focus Auto		
		Zoom		
		Zoom Fine		
		Prism		
		Prism Rotate		
		Prism2		
		Prism2 Rotate		
		Iris		
		Frost		
		Frost2		
		CRI Filter		
		CMY Macro		
		CMY Macro Speed		
Special Function				
Information	Fixture Information	Ver	V_	Toont de firmwareversie
		Running Mode	---	Toont de huidige bedrijfsmodus
		DMX Address	---	Toont het huidige startadres
		Temperature	---	Toont de huidige temperatuur in °C
		Fixture Hours	-----	Toont het aantal uren dat het product is ingeschakeld
		Ip	-----	Toont het huidige IP-adres
		SubMask	-----	Toont het huidige Subnet Mask
		MAC	-----	Toont het huidige MAC-adres
	Fan Information	head Fan1 Speed	----	Toont snelheid van kopventilators in toeren per minuut
		head Fan2 Speed		
		head Fan3 Speed		
		head Fan4 Speed		
		head Fan5 Speed		
		head Fan6 Speed		
	Error Information		-----	Toont fouten of No Error!
	Channel Information	Frequency	---	Toont alle huidige waarden van ingangssignalen, 000-255
		Pan		
		Pan Fine		
		Tilt		
		Tilt Fine		
		P/T Speed		
		Dimmer		
		Dimmer Fine		
Shutter				
Virtual Shaking				
Cyan				
Magenta				
Yellow				
CTO				
Color				

Hoofdniveau	Programmeerniveaus		Beschrijving
Information (vervolg)	Channel Information (vervolg)	Gobo	
		Gobo Rotate	
		Gobo Index	
		Gobo2	
		Animation	
		Animation Rotate	
		Blade1- 1	
		Blade1- 1 Fine	
		Blade1- 2	
		Blade1- 2 Fine	
		Blade2- 1	
		Blade2- 1 Fine	
		Blade2- 2	
		Blade2- 2 Fine	
		Blade3- 1	
		Blade3- 1 Fine	
		Blade3- 2	
		Blade3- 2 Fine	
		Blade4- 1	
		Blade4- 1 Fine	
		Blade4- 2	---
		Blade4- 2 Fine	
		Blade Rotate	
		Blade. Rota Fine	
		Focus	
		Focus Fine	
		Focus Auto	
		Zoom	
		Zoom Fine	
		Prism	
		Prism Rotate	
		Prism2	
Prism2 Rotate			
Iris			
Frost			
Frost2			
CRI Filter			
CMY Macro			
CMY Macro Speed			
Special Function			

Toont alle huidige waarden van
ingangssignalen, 000-255

NL

DMX-waarden
Dmx Mode 54CH

Kanaal	Functie	Waarde	Percentage/instelling
1	Zwenken	000 ⇔ 255	0–100%
2	Fijn zwenken	000 ⇔ 255	Fijne controle (16-bits)
3	Kantelen	000 ⇔ 255	0–100%
4	Fijn kantelen	000 ⇔ 255	Fijne controle (16-bits)
5	Zwenk-/kantelsnelheid	000 ⇔ 255	Snel tot langzaam
6	Dimmer	000 ⇔ 255	0–100%
7	Fijne dimmer	000 ⇔ 255	Fijne controle (16-bits)
8	Sluiter	000 ⇔ 003	Gesloten
		004 ⇔ 007	Open
		008 ⇔ 076	Stroboscoop, langzaam tot snel
		077 ⇔ 145	Puls stroboscoop, langzaam tot snel
		146 ⇔ 215	Willekeurig stroboscoop, langzaam tot snel
216 ⇔ 255	Open		
9	Virtuele stroboscoop	000 ⇔ 001	Geen functie
		002 ⇔ 128	Stroboscoop trillen, langzaam tot snel
		129 ⇔ 255	Vervaging schudden, langzaam tot snel
10	Cyan	000 ⇔ 255	0–100%
11	Magenta	000 ⇔ 255	0–100%
12	Geel	000 ⇔ 255	0–100%
13	CTO	000 ⇔ 255	0–100%
14	Kleurenwiel	000 ⇔ 007	Open
		008 ⇔ 015	Rood
		016 ⇔ 023	Oranje
		024 ⇔ 031	Groen
		032 ⇔ 039	Geel
		040 ⇔ 047	Donkerblauw
		048 ⇔ 059	8000K CTB
		060 ⇔ 187	Kleurenwiel indexeren
		188 ⇔ 219	Kleurwijziging, snel tot langzaam
		220 ⇔ 223	Stoppen
224 ⇔ 255	Omgekeerde kleurwijziging, langzaam tot snel		
15	Gobowiel 1 (roterend) (zie Gobo-ontwerpen)	000 ⇔ 007	Open
		008 ⇔ 015	Gobo 1 (Zeilboten)
		016 ⇔ 023	Gobo 2 (Radiale punt)
		024 ⇔ 031	Gobo 3 (Maimes)
		032 ⇔ 039	Gobo 4 (Bouten)
		040 ⇔ 047	Gobo 5 (Douche glas)
		048 ⇔ 055	Gobo 6 (Ballistische wolken)
		056 ⇔ 063	Gobo 7 (Vier ogen)
		064 ⇔ 071	Gobo 7 schudden
		072 ⇔ 079	Gobo 6 schudden
		080 ⇔ 087	Gobo 5 schudden
		088 ⇔ 095	Gobo 4 schudden
		096 ⇔ 103	Gobo 3 schudden
		104 ⇔ 111	Gobo 2 schudden
		112 ⇔ 119	Gobo 1 schudden
		120 ⇔ 127	Open
		128 ⇔ 191	Gobowijziging, langzaam tot snel
		192 ⇔ 255	Omgekeerde gobowijziging, langzaam tot snel

Kanaal	Functie	Waarde	Percentage/instelling
16	Gobo 1 rotatie	000 ⇔ 063	Roterende gobo index
		064 ⇔ 145	Gobo rotatie, snel tot langzaam
		146 ⇔ 149	Stoppen
		150 ⇔ 231	Omgekeerde gobo rotatie, langzaam tot snel
		232 ⇔ 255	Stuitereffect, kort tot lang
17	Gobowiel 1 indexeren	000 ⇔ 255	Fijne controle (16-bits)
18	Gobowiel 2 (statisch) (zie Gobo-ontwerpen)	000 ⇔ 005	Open
		006 ⇔ 011	Gobo 1 (Straal)
		012 ⇔ 017	Gobo 2 (Bars)
		018 ⇔ 023	Gobo 3 (Cirkels)
		024 ⇔ 029	Gobo 4 (Uitmaken)
		030 ⇔ 035	Gobo 5 (Punten)
		036 ⇔ 041	Gobo 6 (Circuits)
		042 ⇔ 047	Gobo 7 (Driehoeken)
		048 ⇔ 053	Gobo 8 (Bos)
		054 ⇔ 063	Gobo 9 (Regenbogen)
		064 ⇔ 069	Gobo 9 schudden
		070 ⇔ 075	Gobo 8 schudden
		076 ⇔ 081	Gobo 7 schudden
		082 ⇔ 087	Gobo 6 schudden
		088 ⇔ 093	Gobo 5 schudden
		094 ⇔ 099	Gobo 4 schudden
		100 ⇔ 105	Gobo 3 schudden
		106 ⇔ 111	Gobo 2 schudden
		112 ⇔ 117	Gobo 1 schudden
118 ⇔ 127	Open		
128 ⇔ 191	Gobowijziging, langzaam tot snel		
192 ⇔ 255	Omgekeerde gobowijziging, langzaam tot snel		
19	Animatiewiel	000 ⇔ 255	Animatie-effect, 0–100%
20	Animatiewiel rotatie	000 ⇔ 124	Animatiewiel rotatie, snel tot langzaam
		125 ⇔ 130	Stoppen
		131 ⇔ 255	Omgekeerde animatiewiel rotatie, langzaam tot snel
21	Blad 1-1	000 ⇔ 255	0–100%
22	Blad 1-1 fijn	000 ⇔ 255	Fijne controle (16-bits)
23	Blad 1-2	000 ⇔ 255	0–100%
24	Blad 1-2 fijn	000 ⇔ 255	Fijne controle (16-bits)
25	Blad 2-1	000 ⇔ 255	0–100%
26	Blad 2-1 fijn	000 ⇔ 255	Fijne controle (16-bits)
27	Blad 2-2	000 ⇔ 255	0–100%
28	Blad 2-2 fijn	000 ⇔ 255	Fijne controle (16-bits)
29	Blad 3-1	000 ⇔ 255	0–100%
30	Blad 3-1 fijn	000 ⇔ 255	Fijne controle (16-bits)
31	Blad 3-2	000 ⇔ 255	0–100%
32	Blad 3-2 fijn	000 ⇔ 255	Fijne controle (16-bits)
33	Blad 4-1	000 ⇔ 255	0–100%
34	Blad 4-1 fijn	000 ⇔ 255	Fijne controle (16-bits)
35	Blad 4-2	000 ⇔ 255	0–100%
36	Blad 4-2 fijn	000 ⇔ 255	Fijne controle (16-bits)
37	Omlijsting rotatie	000 ⇔ 255	0–100%
38	Omlijsting rotatie fijn	000 ⇔ 255	Fijne controle (16-bits)
39	Focus	000 ⇔ 255	0–100%
40	Fijne Focus	000 ⇔ 255	Fijne controle (16-bits)

Kanaal	Functie	Waarde	Percentage/instelling
41	Automatische focus	000 ⇔ 010	Geen functie
		011 ⇔ 030	0–5 m auto focus
		031 ⇔ 050	6 m auto focus
		051 ⇔ 070	7 m auto focus
		071 ⇔ 090	8 m auto focus
		091 ⇔ 110	9 m auto focus
		111 ⇔ 130	10 m auto focus
		131 ⇔ 150	12.5 m auto focus
		151 ⇔ 170	15 m auto focus
		171 ⇔ 190	17.5 m auto focus
		191 ⇔ 210	20–60 m auto focus
	211 ⇔ 255	Automatische afstandsdetectie	
42	Zoom	000 ⇔ 255	0–100%
43	Fijne zoom	000 ⇔ 255	Fijne controle (16-bits)
44	Prisma 1	000 ⇔ 004	Geen functie
		005 ⇔ 255	Prisma-effect 1
45	Prisma 1 rotatie	000 ⇔ 127	Roterende prisma 1 indexeren
		128 ⇔ 189	Prisma 1 rotatie, snel tot langzaam
		190 ⇔ 193	Stoppen
		194 ⇔ 255	Omgekeerde prisma 1 rotatie, langzaam tot snel
46	Prisma 2	000 ⇔ 004	Geen functie
		005 ⇔ 255	Prisma-effect 2
47	Prisma 2 rotatie	000 ⇔ 127	Roterende prisma 2 indexeren
		128 ⇔ 189	Prisma 2 rotatie, snel tot langzaam
		190 ⇔ 193	Stoppen
		194 ⇔ 255	Omgekeerde prisma 2 rotatie, langzaam tot snel
48	Iris	000 ⇔ 063	Groot tot klein
		064 ⇔ 127	Auto verandering, langzaam tot snel
		128 ⇔ 191	Breid langzaam uit, snel krimpen (langzaam tot snel)
		192 ⇔ 255	Krimp langzaam, snel uitbreiden (langzaam tot snel)
49	Vorst 1	000 ⇔ 255	0–100%
50	Vorst 2	000 ⇔ 255	0–100%
51	CRI-filter	000 ⇔ 004	Geen functie
		005 ⇔ 255	CRI-filter
52	CMY-macro	000 ⇔ 009	Geen functie
		010 ⇔ 255	CMY-macro
53	CMY-macro snelheid	000 ⇔ 255	CMY-macro snelheid, snel tot langzaam

Kanaal	Functie	Waarde	Percentage/instelling
54	Controle	000 ⇔ 007	Geen functie
		008 ⇔ 015	XY-verduistering
		016 ⇔ 023	C-verduistering
		024 ⇔ 031	G-verduistering
		032 ⇔ 039	XY/C-verduistering
		040 ⇔ 047	XY/G-verduistering
		048 ⇔ 055	XY/C/G-verduistering
		056 ⇔ 095	Geen functie
		096 ⇔ 103	Reset X
		104 ⇔ 111	Reset Y
		112 ⇔ 119	Reset kleur
		120 ⇔ 127	Reset gobo en gobo rotatie
		128 ⇔ 135	Geen functie
		136 ⇔ 143	Reset prisma's
		144 ⇔ 151	Reset omlijsting
		152 ⇔ 159	Reset alle
		160 ⇔ 167	Reset iris
		168 ⇔ 175	Reset vorst
		176 ⇔ 183	Reset zoom
		184 ⇔ 191	Reset CMY
		192 ⇔ 199	Ventilator ECO-modus
		200 ⇔ 207	Ventilator volle snelheid
		208 ⇔ 215	Ventilator automatische snelheid
		216 ⇔ 220	Geen functie
		221 ⇔ 225	Iris snelle modus
		226 ⇔ 230	Iris soepele modus
		231 ⇔ 235	XY-wissel aan
		236 ⇔ 240	XY-wissel uit
241 ⇔ 246	FANTV25		
247 ⇔ 250	FANTV35		
251 ⇔ 255	Geen functie		

Dmx Mode 38CH

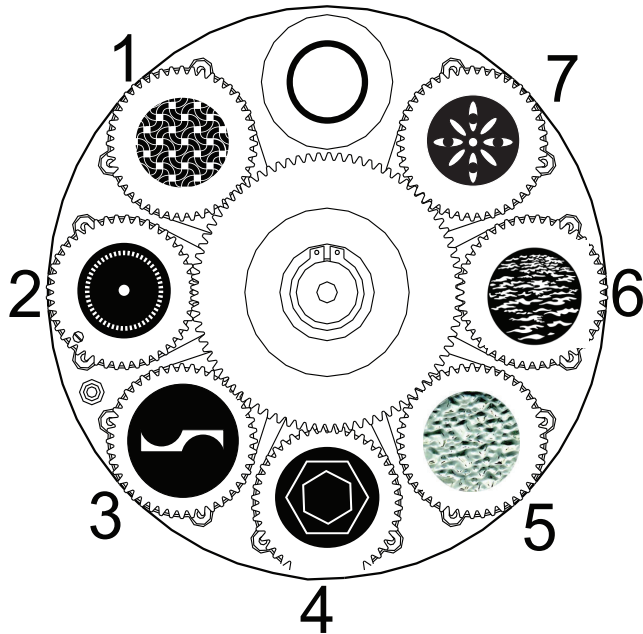
Kanaal	Functie	Waarde	Percentage/instelling
1	Zwenken	000 ⇔ 255	0–100%
2	Fijn zwenken	000 ⇔ 255	Fijne controle (16-bits)
3	Kantelen	000 ⇔ 255	0–100%
4	Fijn kantelen	000 ⇔ 255	Fijne controle (16-bits)
5	Zwenk-/kantelsnelheid	000 ⇔ 255	Snel tot langzaam
6	Dimmer	000 ⇔ 255	0–100%
7	Sluiter	000 ⇔ 003	Gesloten
		004 ⇔ 007	Open
		008 ⇔ 076	Stroboscoop, langzaam tot snel
		077 ⇔ 145	Puls stroboscoop, langzaam tot snel
		146 ⇔ 215	Willekeurig stroboscoop, langzaam tot snel
		216 ⇔ 255	Open
8	Virtuele stroboscoop	000 ⇔ 001	Geen functie
		002 ⇔ 128	Stroboscoop trillen, langzaam tot snel
		129 ⇔ 255	Vervaging schudden, langzaam tot snel
9	Cyan	000 ⇔ 255	0–100%
10	Magenta	000 ⇔ 255	0–100%
11	Geel	000 ⇔ 255	0–100%
12	CTO	000 ⇔ 255	0–100%
13	Kleurenwiel	000 ⇔ 007	Open
		008 ⇔ 015	Rood
		016 ⇔ 023	Oranje
		024 ⇔ 031	Groen
		032 ⇔ 039	Geel
		040 ⇔ 047	Donkerblauw
		048 ⇔ 059	8000K CTB
		060 ⇔ 187	Kleurenwiel indexeren
		188 ⇔ 219	Kleurwijziging, snel tot langzaam
		220 ⇔ 223	Stoppen
224 ⇔ 255	Omgekeerde kleurwijziging, langzaam tot snel		
14	Gobowiel 1 (roterend) (zie Gobo-ontwerpen)	000 ⇔ 007	Open
		008 ⇔ 015	Gobo 1 (Zeilboten)
		016 ⇔ 023	Gobo 2 (Radiale punt)
		024 ⇔ 031	Gobo 3 (Maaimes)
		032 ⇔ 039	Gobo 4 (Bouten)
		040 ⇔ 047	Gobo 5 (Douche glas)
		048 ⇔ 055	Gobo 6 (Ballistische wolken)
		056 ⇔ 063	Gobo 7 (Vier ogen)
		064 ⇔ 071	Gobo 7 schudden
		072 ⇔ 079	Gobo 6 schudden
		080 ⇔ 087	Gobo 5 schudden
		088 ⇔ 095	Gobo 4 schudden
		096 ⇔ 103	Gobo 3 schudden
		104 ⇔ 111	Gobo 2 schudden
		112 ⇔ 119	Gobo 1 schudden
		120 ⇔ 127	Open
128 ⇔ 191	Gobowijziging, langzaam tot snel		
192 ⇔ 255	Omgekeerde gobowijziging, langzaam tot snel		
15	Gobo 1 rotatie	000 ⇔ 063	Roterende gobo index
		064 ⇔ 145	Gobo rotatie, snel tot langzaam
		146 ⇔ 149	Stoppen
		150 ⇔ 231	Omgekeerde gobo rotatie, langzaam tot snel
		232 ⇔ 255	Stuitereffect, kort tot lang

Kanaal	Functie	Waarde	Percentage/instelling
16	Gobowiel 2 (statisch) (zie Gobo-ontwerpen)	000 ⇄ 005	Open
		006 ⇄ 011	Gobo 1 (Straal)
		012 ⇄ 017	Gobo 2 (Bars)
		018 ⇄ 023	Gobo 3 (Cirkels)
		024 ⇄ 029	Gobo 4 (Uitmaken)
		030 ⇄ 035	Gobo 5 (Punten)
		036 ⇄ 041	Gobo 6 (Circuits)
		042 ⇄ 047	Gobo 7 (Driehoeken)
		048 ⇄ 053	Gobo 8 (Bos)
		054 ⇄ 063	Gobo 9 (Regenbogen)
		064 ⇄ 069	Gobo 9 schudden
		070 ⇄ 075	Gobo 8 schudden
		076 ⇄ 081	Gobo 7 schudden
		082 ⇄ 087	Gobo 6 schudden
		088 ⇄ 093	Gobo 5 schudden
		094 ⇄ 099	Gobo 4 schudden
		100 ⇄ 105	Gobo 3 schudden
		106 ⇄ 111	Gobo 2 schudden
112 ⇄ 117	Gobo 1 schudden		
118 ⇄ 127	Open		
128 ⇄ 191	Gobowijziging, langzaam tot snel		
192 ⇄ 255	Omgekeerde gobowijziging, langzaam tot snel		
17	Animatiewiel	000 ⇄ 255	Animatie-effect, 0–100%
18	Animatiewiel rotatie	000 ⇄ 124	Animatiewiel rotatie, snel tot langzaam
		125 ⇄ 130	Stoppen
		131 ⇄ 255	Omgekeerde animatiewiel rotatie, langzaam tot snel
19	Blad 1-1	000 ⇄ 255	0–100%
20	Blad 1-2	000 ⇄ 255	0–100%
21	Blad 2-1	000 ⇄ 255	0–100%
22	Blad 2-2	000 ⇄ 255	0–100%
23	Blad 3-1	000 ⇄ 255	0–100%
24	Blad 3-2	000 ⇄ 255	0–100%
25	Blad 4-1	000 ⇄ 255	0–100%
26	Blad 4-2	000 ⇄ 255	0–100%
27	Omlijsting rotatie	000 ⇄ 255	0–100%
28	Focus	000 ⇄ 255	0–100%
29	Zoom	000 ⇄ 255	0–100%
30	Prisma 1	000 ⇄ 004	Geen functie
		005 ⇄ 255	Prisma-effect 1
31	Prisma 1 rotatie	000 ⇄ 127	Roterende prisma 1 indexeren
		128 ⇄ 189	Prisma 1 rotatie, snel tot langzaam
		190 ⇄ 193	Stoppen
		194 ⇄ 255	Omgekeerde prisma 1 rotatie, langzaam tot snel
32	Prisma 2	000 ⇄ 004	Geen functie
		005 ⇄ 255	Prisma-effect 2
33	Prisma 2 rotatie	000 ⇄ 127	Roterende prisma 2 indexeren
		128 ⇄ 189	Prisma 2 rotatie, snel tot langzaam
		190 ⇄ 193	Stoppen
		194 ⇄ 255	Omgekeerde prisma 2 rotatie, langzaam tot snel
34	Iris	000 ⇄ 063	Groot tot klein
		064 ⇄ 127	Auto verandering, langzaam tot snel
		128 ⇄ 191	Breid langzaam uit, snel krimpen (langzaam tot snel)
		192 ⇄ 255	Krimp langzaam, snel uitbreiden (langzaam tot snel)
35	Vorst 1	000 ⇄ 255	0–100%
36	Vorst 2	000 ⇄ 255	0–100%

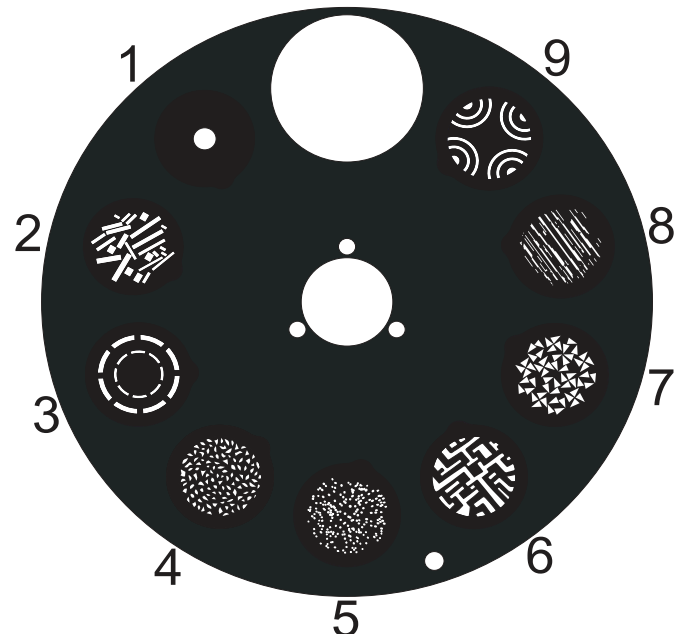
NL

Kanaal	Functie	Waarde	Percentage/instelling
37	CRI-filter	000 ⇔ 004	Geen functie
		005 ⇔ 255	CRI-filter
38	Controle	000 ⇔ 007	Geen functie
		008 ⇔ 015	XY-verduistering
		016 ⇔ 023	C-verduistering
		024 ⇔ 031	G-verduistering
		032 ⇔ 039	XY/C-verduistering
		040 ⇔ 047	XY/G-verduistering
		048 ⇔ 055	XY/C/G-verduistering
		056 ⇔ 095	Geen functie
		096 ⇔ 103	Reset X
		104 ⇔ 111	Reset Y
		112 ⇔ 119	Reset kleur
		120 ⇔ 127	Reset gobo en gobo rotatie
		128 ⇔ 135	Geen functie
		136 ⇔ 143	Reset prisma's
		144 ⇔ 151	Reset omlijsting
		152 ⇔ 159	Reset alle
		160 ⇔ 167	Reset iris
		168 ⇔ 175	Reset vorst
		176 ⇔ 183	Reset zoom
		184 ⇔ 191	Reset CMY
		192 ⇔ 199	Ventilator ECO-modus
		200 ⇔ 207	Ventilator volle snelheid
		208 ⇔ 215	Ventilator automatische snelheid
		216 ⇔ 220	Geen functie
		221 ⇔ 225	Iris snelle modus
		226 ⇔ 230	Iris soepele modus
		231 ⇔ 235	XY-wissel aan
		236 ⇔ 240	XY-wissel uit
241 ⇔ 246	FANTV25		
247 ⇔ 250	FANTV35		
251 ⇔ 255	Geen functie		

Gobo-ontwerpen



Gobowiel 1 (Roterend)



Gobowiel 2 (Statisch)

Gobowiel	Gobo #	Beschrijving
Gobowiel 1 (roterend)	1	Zeilboten
	2	Radiale punt
	3	Maaimes
	4	Bouten
	5	Douche glas
	6	Ballistische wolken
	7	Vier ogen
Gobowiel 2 (statisch)	1	Straal
	2	Bars
	3	Cirkels
	4	Uitmaken
	5	Punten
	6	Circuits
	7	Driehoeken
	8	Bos
	9	Regenbogen

Contact Us

General Information	Technical Support
Chauvet World Headquarters	
Address: 5200 NW 108th Ave. Sunrise, FL 33351 Voice: (954) 577-4455 Fax: (954) 929-5560 Toll Free: (800) 762-1084	Voice: (844) 393-7575 Fax: (954) 756-8015 Email: chauvetcs@chauvetlighting.com Website: www.chauvetprofessional.com
Chauvet Europe Ltd.	
Address: Unit 1C Brookhill Road Industrial Estate Pinxton, Nottingham, UK NG16 6NT Voice: +44 (0) 1773 511115 Fax: +44 (0) 1773 511110	Email: UKtech@chauvetlighting.eu Website: www.chauvetprofessional.eu
Chauvet Europe BVBA	
Address: Stokstraat 18 9770 Kruishoutem Belgium Voice: +32 9 388 93 97	Email: BNLtech@chauvetlighting.eu Website: www.chauvetprofessional.eu
Chauvet France	
Address: 3, Rue Ampère 91380 Chilly-Mazarin France Voice: +33 1 78 85 33 59	Email: FRtech@chauvetlighting.fr Website: www.chauvetprofessional.eu
Chauvet Germany	
Address: Bruno-Bürgel-Str. 11 28759 Bremen Germany Voice: +49 421 62 60 20	Email: DEtech@chauvetlighting.de Website: www.chauvetprofessional.eu
Chauvet Mexico	
Address: Av. de las Partidas 34 - 3B (Entrance by Calle 2) Zona Industrial Lerma Lerma, Edo. de México, CP 52000 Voice: +52 (728) 690-2010	Email: servicio@chauvet.com.mx Website: www.chauvetprofessional.mx

Visit the applicable website above to verify our contact information and instructions to request support. Outside the U.S., United Kingdom, Ireland, Mexico, France, Germany, or Benelux, contact the dealer of record.



UL 1573
CSA C22.2 No. 166
E113093



RoHS

