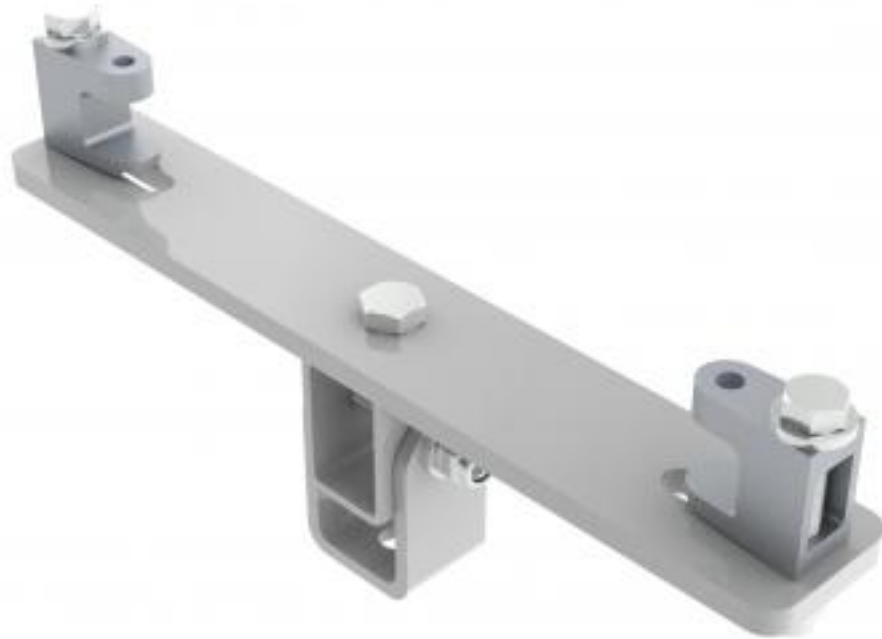


KBD1000L-W | Girder Bracket Variable Angle Drop



A bracket with variable tilt and swivel speaker adjustment

- Bracket is secured to girder
- Provides adjustment for girder thickness
- Top of speaker fixes to bracket

Compatible with manufacturer/model:

- Generic

Materials of construction: Powder coated mild steel, Zinc plated mild steel

Max weight (kg): 300.00

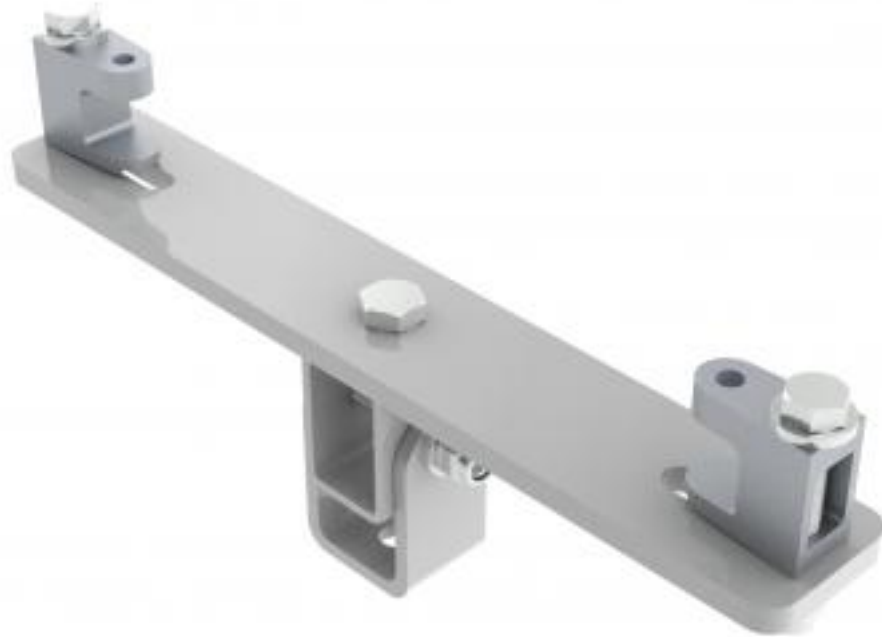
Manufacturing address:

Powerdrive Drum Company Ltd • Unit M1 Cherrycourt Way • Stanbridge Road
Leighton Buzzard • Bedfordshire • LU7 4UH • UK
T: +44 (0)1525 370292 • F: +44 (0)1525 852126

www.mypowerdrive.com • E&OE • All rights reserved • Powerdrive Drum Company Ltd 2015



KBD1000L-W | Girder Bracket Variable Angle Drop



Product category: GIRDER

W | L | H/D (mm):
60.00 | 376 | 162.20

Shipping weight (gms): 2,850
Mount position: Top

Mount type: eyebolt/drop arm

Bracket location: Girder
Drop (mm) N/A

Girder span (mm): 230 - 320

Swivel rotation angle: 360 °
Tilt angle: 75 °

Manufacturing address:

Powerdrive Drum Company Ltd • Unit M1 Cherrycourt Way • Stanbridge Road
Leighton Buzzard • Bedfordshire • LU7 4UH • UK
T: +44 (0)1525 370292 • F: +44 (0)1525 852126

www.mypowerdrive.com • E&OE • All rights reserved • Powerdrive Drum Company Ltd 2015

