

The BS-633A is wall mount speaker made of ABS resin and can be hooked or mounted directly on the wall. The push-in type input terminal makes cable connections easy and allows bridge wiring. The input impedance can be easily changed by changing the tap position of the transformer from the rear side of the speaker.

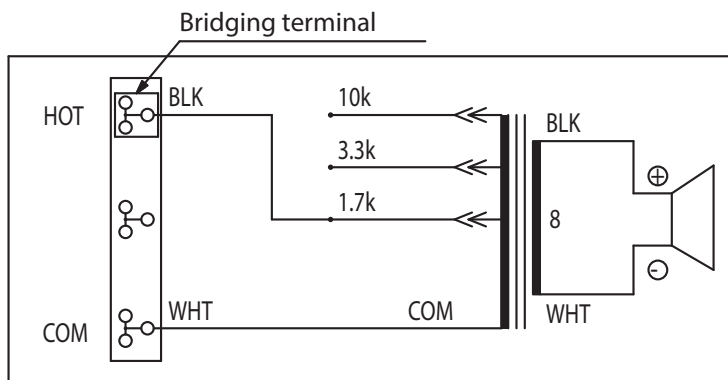
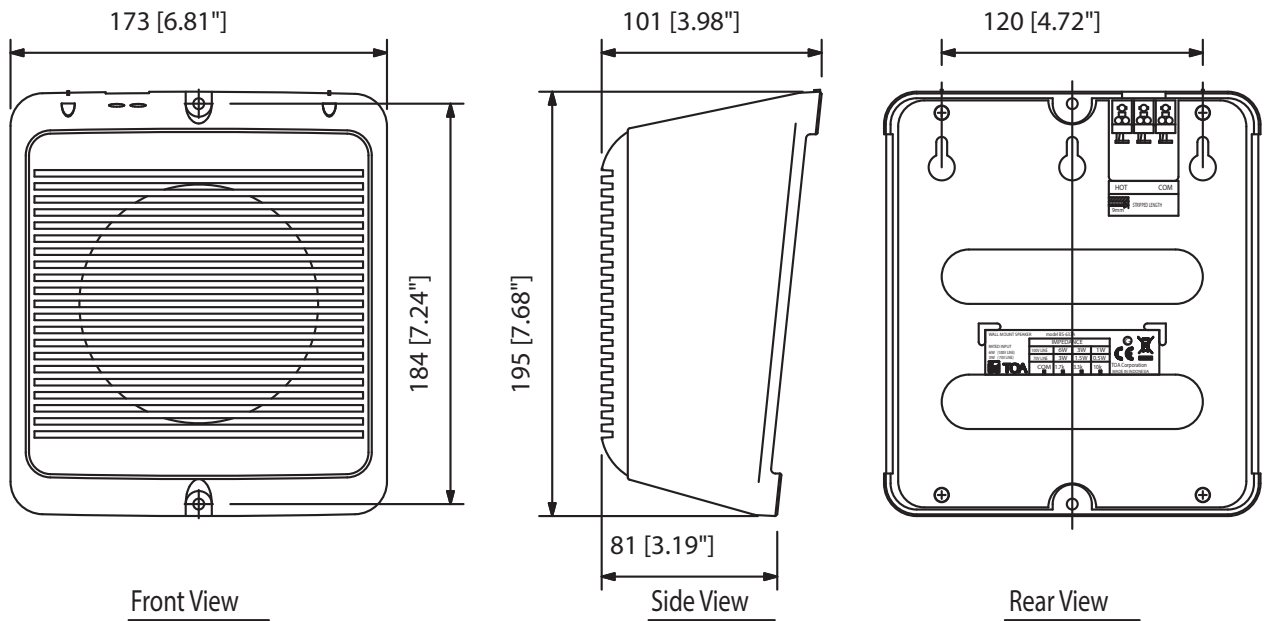


Order no: BS-633A

Specifications

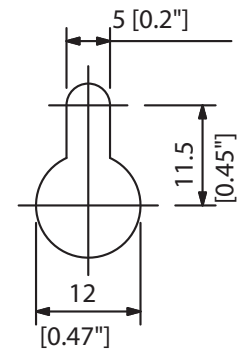
Frequency response	120 Hz - 15 kHz
Connection	Push-in connector (bridging terminal)
Sensitivity (1#V, 1#m) (combined)	91 dB
Speaker component	12 cm cone-type
Rated input	6 W
Tappings	6 / 3 / 1 W (100 V), 3 / 1.5 / 0.5 W (70 V)
Rated impedance	100 V, 70 V
Dimensions (W x H x D)	173 x 195 x 101 mm
Dimensions (ø x D)	x 101 mm
Finish	ABS resin, off-white (RAL 9010 or equivalent)

Appearance



(Transformer connection when the speaker is supplied from the factory)

(Note) Use transformer terminals when changing input impedance.



Fixing Hole
(scale: 1/1)

UNIT:mm

SCALE:1/4