

VOLT+ PAR S



30W RGBMA+UV LED Battery Par

DATA SHEET



KEY FEATURES

30W RGBLA+UV LED

1975 Total Fixture Lumen Output (Sphere)

90.9 CRI

20° Beam Angle, Diffusion Lens Included

Removable Snoot Included

Optional Wired DMX & Power Charging Base

Optional Bowen Mount Adapter

>12hr Maximum Battery Run Time

IP65 Rated

Introducing the **VOLT+ PAR S**, a next-generation replacement fixture in Elation's popular VOLT Series that delivers the ultimate in battery-powered lighting performance with enhanced efficiency, versatility, and durability in a compact, sleek form factor.

Designed as a direct upgrade for previous VOLT models, the **VOLT+ PAR S** features cutting-edge RGB+Lime+Amber+UV LED technology, providing superior color mixing, increased output, and exceptional color rendering with a high CRI. Its fully homogenized beam ensures smooth, even coverage with no color separation, making it ideal for both wash and direct-view applications. The fixture's sleek, connection-free design eliminates external cabling, ensuring a clean, professional look that seamlessly integrates into any setup.

Built with an IP65-rated housing and a rugged construction, the **VOLT+ PAR S** is ready for any environment, indoors or outdoors, making it the perfect solution for productions, installations, and events where mobility and reliability are key.

For added convenience and extended runtime, the **VOLT+ PAR S** offers an optional wired charging and DMX base, allowing users to operate the fixture while simultaneously charging, ensuring uninterrupted use for longer events or run DMX when wireless operation would prove difficult. Additionally, an optional external battery is available for extended wireless operation, giving users the flexibility to keep their designs untethered for even longer durations.

The optional Bowens mount adapter expands creative possibilities by allowing compatibility with a wide range of light-shaping modifiers, enabling precise beam control and customized visual effects.

Whether used as a wash light, uplight, accent fixture, or direct-view pixel effect, the **VOLT+ PAR S** delivers exceptional flexibility with numerous wireless control options, including an IR Remote, Prebuilt & Custom Standalone Effect Sequences, proprietary Aria x2 wireless device management and NFC Configuration.

With its advanced technology, effortless portability, and expanded accessory options, the **VOLT+ PAR S** is the ultimate choice for lighting professionals who demand uncompromising performance and adaptability.



VOLT+ PAR S



30W RGBMA+UV LED Battery Par

SPECIFICATIONS

SOURCE

30W RGBLA+ UV LED

30,000 Hour Average LED Life*

*May vary depending on several factors including but not limited to: Environmental Conditions, Power/Voltage, Usage Patterns (On-Off Cycling), Control and Dimming.

PHOTOMETRIC DATA

1,975 (Integrating Sphere)

CRI- 90.9

TLCI- 80

Beam Angle: 20°

Field Angle: 32°

EFFECTS

Prebuilt Custom Standalone Effect Sequences

Electronic Dimmer and Strobe

Variable 16-bit Dimming Modes and Curves

COLOR

RGBLA+ UV Color Array

CMY Emulation

Variable CCT 2400K - 8500K

Virtual Gel Swatch Book

CONTROL / CONNECTIONS

8 DMX Channel Modes (1ch, 3ch, 6ch, 9ch, 11ch, 14ch, 14ch, 20ch)

4 Button Control Panel, LED Display

Aria x2 Wireless Device Management

IR Remote

NFC Configuration

Wireless Power Charging

Optional Charging Base with:

5pin DMX and IP65 Locking Power Cable In/Out

SIZE / WEIGHT

Length: 6.14" (156mm)

Width: 6.14" (156mm)

Vertical Height (with Snoot): 7.77" (197.5mm)

Vertical Height (without Snoot): 5.9" (150 mm)

Weight: 10.7 lbs / 4.85kg

ELECTRICAL / THERMAL

AC 100-240V - 50/60Hz

40W Max Power Consumption

5°F to 113°F (-15°C to 45°C)

BTU/hr (+/- 10%) 136.4

BATTERY

Type: Lithium

Weight: 1.7 lbs. (0.75 Kg)

Battery Capacity: 9.6 Ah

Battery Voltage: 18V (nominal); 21V (full)

Battery Run Time: > 12hrs

Lifetime: > 300 Cycles

INCLUDED ITEMS

Diffusion Filter

Concentric Ring

Removable Half Snoot

ORDERING INFORMATION

VOLT+ PAR S 6-PACK (VOL201)

(Kit Includes: 6x VOLT+ PAR S, 2x IR Remote, 1x Charging Roadcase)

VOLT+ PAR S Base Pack (VOL242)

(Kit Includes: 1x VOLT+ PAR S 1x VOLT+ PAR S Connector Base)

OPTIONAL ITEMS

VOLT+ IR REMOTE (VOL555)

VOLT+ PAR S YOKE (VOL231)

VOLT+ PAR S LENS KIT (VOL256)

VOLT+ PAR S BOWENS ADAPTER (VOL243)

VOLT+ PAR S CONNECTOR BASE (VOL228)

VOLT+ PAR S STAND ADAPTER (VOLSAS)

VOLT+ PAR S SILICONE SLEEVE- WHITE (VOL271)

VOLT+ PAR BATTERY BASE (VOL402)

APPROVALS / RATINGS

CE | cETLus | IP65 | FCC | UKCA



Specifications are subject to change without notice ©Elation Professional 06/30/2026

Elation Professional USA | 6122 S. Eastern Ave. | Los Angeles, CA. 90040
323-582-3322 | 323-832-9142 fax | www.elationlighting.com | info@elationlighting.com

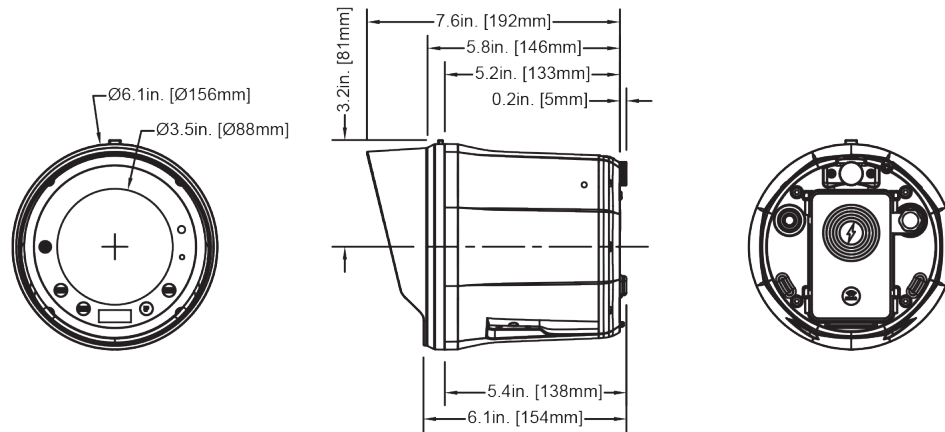
Elation Professional B.V. | Junostraat 2 | 6468 EW Kerkrade, The Netherlands
+31 45 546 85 66 | +31 45 546 85 96 fax | www.elationlighting.eu | info@elationlighting.eu

VOLT+ PAR S

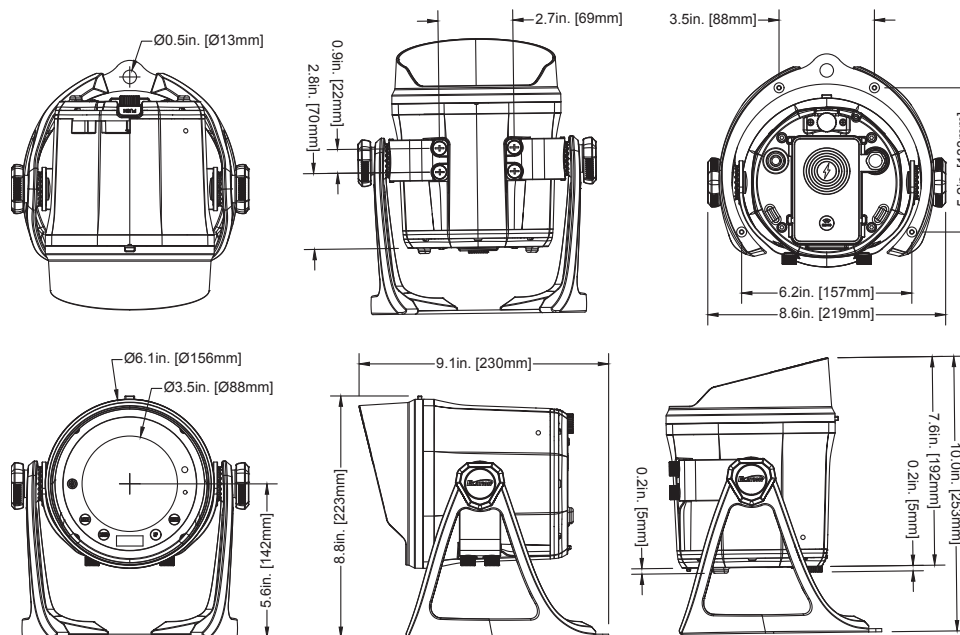


30W RGBMA+UV LED Battery Par

UNIT DIMENSIONS



Volt+ Par S Yoke as shown here is sold separately.



ORDERING INFORMATION

SKU (US)	SKU (EU)	DESCRIPTION
VOL214	1237000391	VOLT+ PAR S
VOL555	PENDING	VOLT+ IR REMOTE
VOL231	1237000388	VOLT+ PAR S YOKE
VOL256	1237000418	VOLT+ PAR S LENS KIT
VOL243	1237000415	VOLT+ PAR S BOWENS ADAPTER
VOL228	1237000387	VOLT+ PAR S CONNECTOR BASE
VOL402	1237000390	VOLT+ PAR BATTERY BASE
VOL242	PENDING	VOLT+ PAR S Base Pack
VOL201	1237000420	VOLT+ PAR S 6-PACK

