

## TU-660

DRIVER UNIT 60W



The TU-660 is a highly intelligible driver unit suited to public address announcement applications. Use the driver unit in combination with a suitable horn (option). Its powder-coated finish and stainless steel screws ensure the unit's weatherproof capability. Also employing a newly developed ring diaphragm ensures the unit's high frequency characteristics.

### Key features

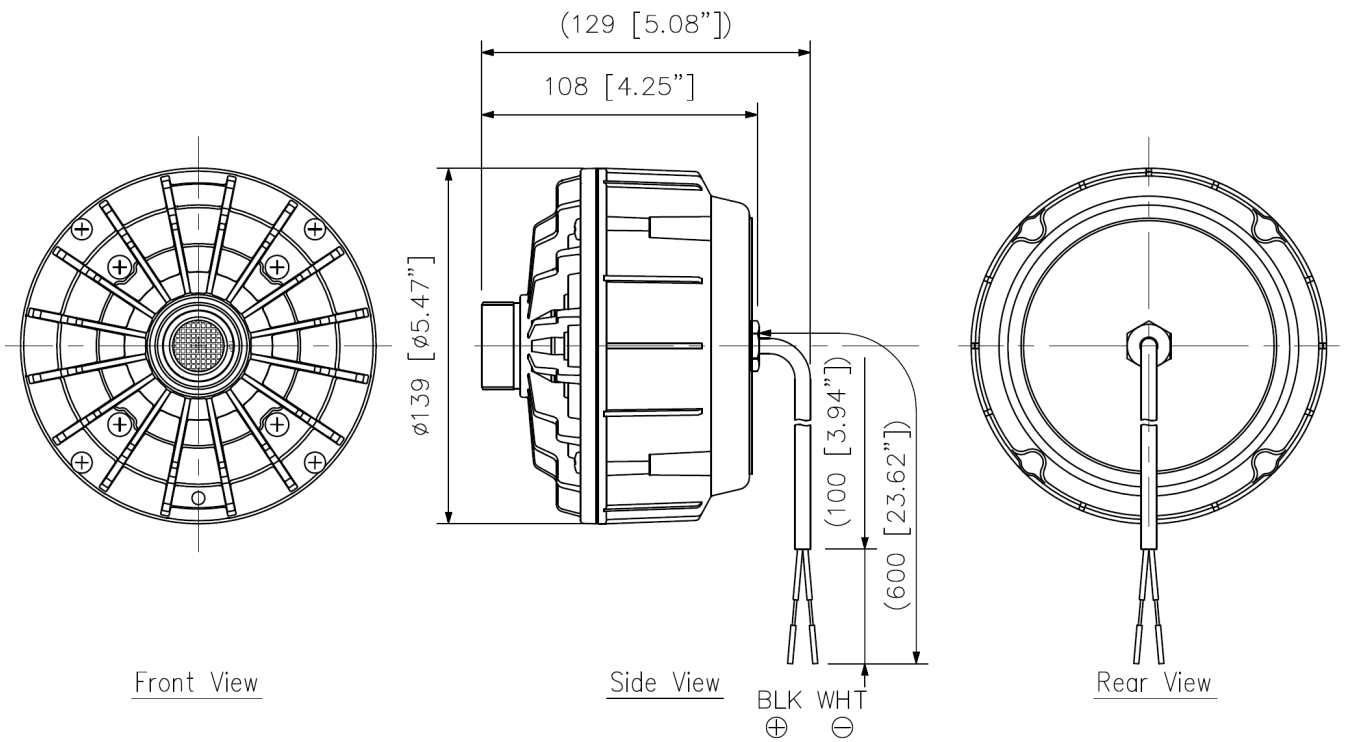
- High quality sound
- High SPL
- High durability

## Specifications

Horn Coupling	1 -3/8 18 threads (inch screw)
Rated Input	60 W
Impedance	16 $\Omega$
Sensitivity	110 dB (1 W, 1 m) (When operated with JIS C 5504 standard horn.)
Frequency Response	150 Hz -8 kHz (When operated with JIS C 5504 standard horn.)
Polarity	Hot: Black, Com: White
Dust/Water Protection	IP65 (When a driver is operated with a horn.)
Operating Temperature	-20 °C to +55 °C (-4 °F to +131 °F) (no condensation )
Finish	Flange: Aluminum, gray, powder coating Rear cover: ABS resin, gray Screws: Stainless steel Speaker cable: Polyvinyl chloride insulated cabtyre cable (6 mm (0.24") in diameter, 600 mm (23.62") in length)
Dimensions	$\phi$ 139 x 108 (D) mm ( $\phi$ 5.47" X 4.25")
Weight	2 kg (4.41 lb)
Optional Accessories	Driver unit cover: UC-200A Matching transformer: TM-30T, TM-60T

Note: Avoid installing the speaker in locations which vibrate considerably, or under environments easy to be oil-contaminated. Doing otherwise may result in an accident such as falling of the unit.

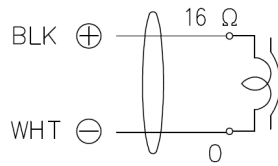
## Dimensions



Front View

Side View

Rear View



Wiring diagram

UNIT:mm

Note: Numerical values in parentheses are for reference only.

## A&E specifications

The driver unit shall be designed to operate in combination with a standard type horn for the purpose of broadcasting speech and music internally and externally and shall have a smooth frequency response between 150Hz to 8kHz. The driver unit shall produce a Sound Pressure Level (SPL) of 110 dB on axis at 1 meter with a power input of 1 watt and shall be capable of producing 60 watts of continuous power and have a nominal impedance of 16 Ohms. The driver unit shall employ the newly developed polyimide ring-type diaphragm construction that improves frequency characteristics and shall be housed in a grey aluminium, powder coated flange with an ABS resin rear cover and shall comply with IP65 dust and water ingress protection rating, when operated with a standard type horn. The driver unit shall be capable of operating in temperatures of between -20 °C to +55 °C (-4 °F to +131 °F) and shall weigh 2 kg (4.41 lb.) measuring  $\varnothing 139 \times 108$  (D) mm ( $\varnothing 5.47'' \times 4.25''$ ) Applicable Horns: TH-650 ( $\varnothing 500 \times 394$  (D) mm), TH-660 ( $\varnothing 600 \times 425$  (D) mm) manufactured by TOA Corporation. Optional extras: UC-200A driver unit cover. TM-30T, TM-60T 30 watt or 60 watt matching transformers manufactured by TOA Corporation.

Manufacturer: TOA Corporation

Model: TU-660