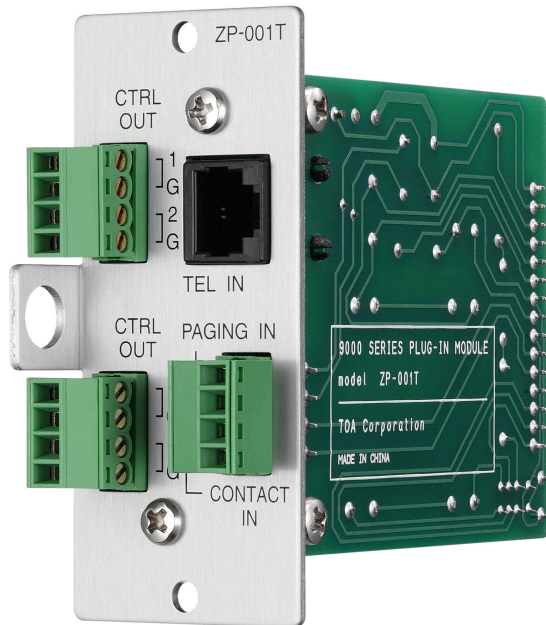


## ZP-001T

### 9000 SERIES PLUG-IN MODULE



The ZP-001T is a Zone paging module designed for use with the 9000 Series mixer / amplifiers and functions as interface to connect the 9000 Series mixer / amplifier to an analog PABX, allowing zone paging to be initiated from the PABX. There are two operation modes: ring signal and paging port modes. Broadcast can be initiated regardless of operation mode.

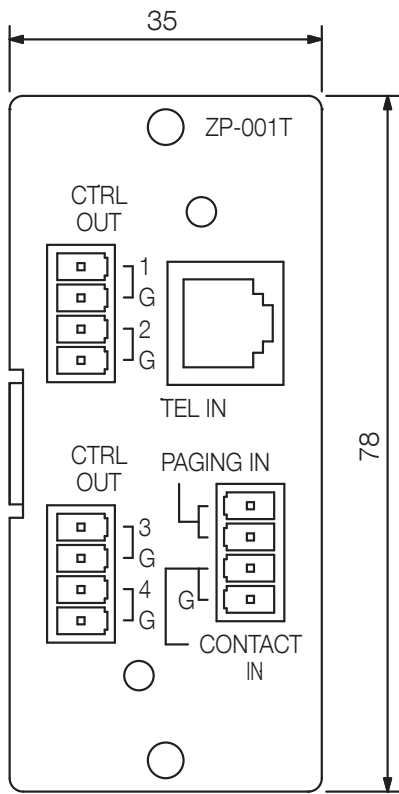
### Key features

- Telephone paging to up to 8 zones. Uses DTMF dialing access outputs
- Dial up to 8 output zones in one operation (compatible with analog extension or page port)
- Page port operation requires closed contact
- RJ-11 telephone plug or detachable screw terminals
- Max. 1 telephone module / chassis

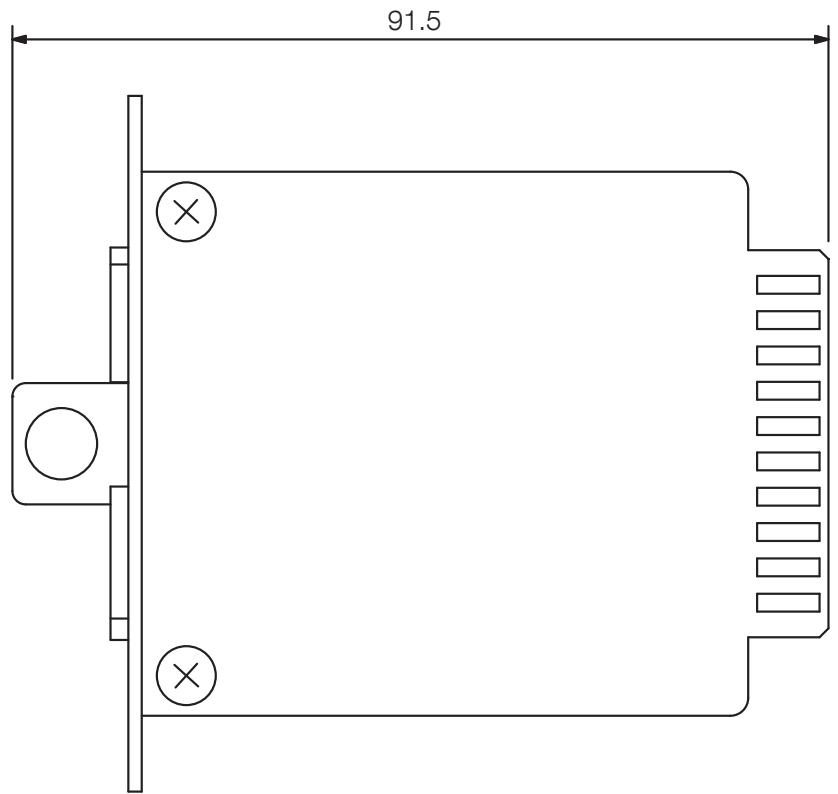
## Specifications

Power Supply	+24 V DC, +6 V DC
Current Consumption	38 mA (at +24 V DC), 18 mA (at +6 V DC)
Number of Line	1 line
Type of Selectable Signal	DTMF signal
Signaling System	Loop-Start (or Ground-Start, selectable)
TEL Line	0 dB, 600 $\Omega$ , balanced, transformer-isolated, loop voltage: 24 V DC or more, which should be supplied from the PABX. RJ11 connector
Paging Input	0 dB, 600 $\Omega$ , balanced, transformer-isolated audio input, removable terminal block (4 pins)
Control Input	1 channel, no-voltage make contact, open voltage: 5 V DC, short-circuit current: 0.5 mA, removable terminal block (4 pins)
Control Output	4 channels, open collector output (isolated), withstand voltage: 35 V DC, control current: max. 50 mA, removable terminal block (4 pins)
Operating Temperature	-10 °C to +40 °C
Finish	Panel: Aluminum, hair-line
Dimensions	35 (W) x 78 (H) x 91.5 (D) mm
Weight	153 g
Included Accessories	Removable terminal plug (4 pins) ...3, Module mounting screw ...2

## Dimensions



Front View



Side View

UNIT:mm

SCALE:1/1

## A&E specifications

Telephone Access Paging to up to eight zones. Uses DTMF dialing to access amplifier and/or line outputs. Dial up to eight output zones in one operation. Analog Extension or Page Port compatible. Page port operation requires contact closure activation and DTMF signal pass-through. RJ-11 Telephone Jack and Removable Terminal Blocks