

## YW-1024 Y

### RF DISTRIBUTER



The YW-1024 is a distributor that can work in the frequency range of 1.6 to 1000 MHz (except 50 to 70 MHz). Power passing type permits easy power supply.

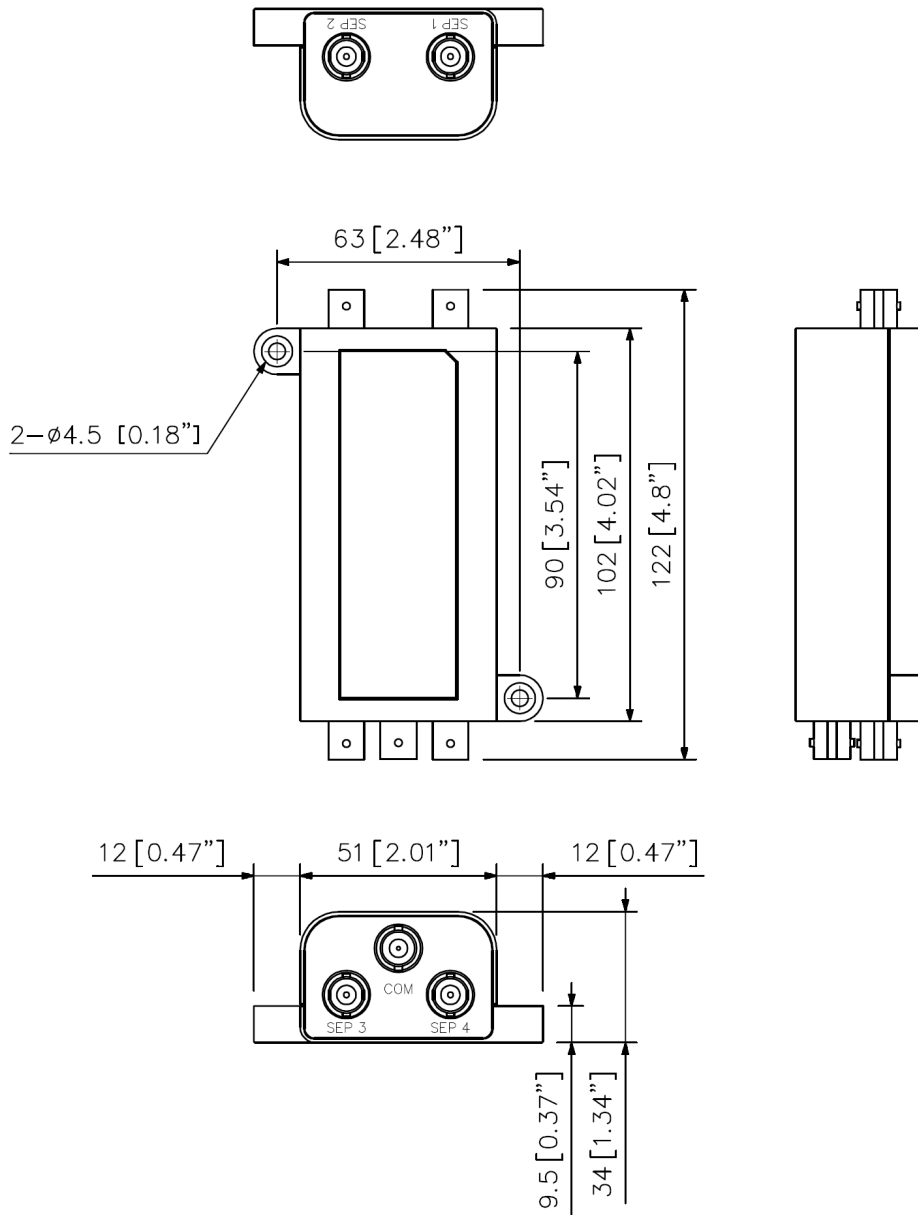
### Key features

- For 4-branch distribution (1 into 4 outputs)

## Specifications

Frequency Range	1.6 - 1000 MHz (excluding 50 - 70 MHz)
Distribution Loss	8.5 dB $\pm$ 3 dB (between the Mixing and each Distribution terminals)
Input/Output Impedance	75 $\Omega$
Coaxial Connector	Mixing terminal: BNC jack, power passing type (30 V DC or less, 2 A or less) Distribution 1 - 4 terminals: BNC jack, power passing type (30 V DC or less, 1 A or less)
Operating Temperature	-10 °C to +50 °C (14 °F to 122 °F)
Operating Humidity	90 %RH or less (no condensation)
Finish	ABS resin, gray
Dimensions	75 (W) x 122 (H) x 34 (D) mm (2.95" x 4.8" x 1.34")
Weight	120 g (0.26 lb)
Included Accessories	Unit fixing wood screw (4.1 x 25) ...2

## Dimensions



UNIT: mm

## A&E specifications

Signal Distributors (optional) shall be used to expand the number of Infrared Transmitter / Receiver Unit's which shall not exceed 16 Infrared Transmitter / Receiver Units. The Distributors shall facilitate 1 x 4 configurations.

Transmission range: 1.6-1000 MHz

(excluding 50-70 MHz)

Attenuation: 8.5 dB (+/- 3 dB)

Dimensions (W x H x D): 75 x 122 x 34 mm

Weight: 120 g