

## WS-5325U H01US

### WIRELESS SET



The WS-5325U includes a wireless transmitter WM-5325, a lavalier microphone YP-M5300, and a diversity wireless tuner WT-5810. The WM-5325 wireless transmitter has been manufactured for use with a UHF system. Thanks to the PLL-synthesizer system, 64 different operating frequencies are made available. A high output power ensures stable radio signal transmission. The YP-M5300 employs an electret condenser microphone element and has been designed for use in speech reinforcement applications. The WT-5810 is a PLL-synthesizer controlled double superhetrodyne diversity tuner designed to be used with a UHF wireless system. It employs a compander noise reduction circuit to minimize the influence of ambient RF noise.

### Key features

- Up to 16 selectable frequencies (Up to 16 Simultaneous channels)
- An optimized PLL-synthesizer minimizes the oscillation frequency drift resulting from the ambient temperature or voltage fluctuation
- Audio level control adjusts the microphone sensitivity
- Power/Battery lamps indicate battery consumption to prevent the unit from malfunctioning when the battery level remarkably decreases
- Compact and high reliability
- Transmitter operates on a single AA battery
- Employs a built-in antenna
- Supplied with a lavalier microphone with unidirectional condenser microphone element

## Specifications

System Components	Wireless transmitter WM-5325 x 1, Lavalier microphone YP-M5300 x 1, Diversity wireless tuner WT-5810 x 1
Frequency Range	576 - 606 MHz, UHF
Tone Frequency	32.768 kHz
Operating Temperature	-10 °C to +50 °C (14 °F to 122 °F) (except battery)
Included Accessories	AC adapter x 1, Screw driver x 1, Storage case x 1, Neck strap x 1
Frequency Range	576 - 606 MHz
Channel Selection	64 channels (the number of channels may differ from country to country)
RF Carrier Power	Less than 50 mW (Factory preset 10 mW ERP)
Tone Frequency	32.768 kHz
Maximum Input Level	-14 dB to -29 dB (Audio level control: Min. to Max.)
Maximum Deviation	±40 kHz
Audio Frequency Response	100 Hz – 15 kHz
Battery	WB-2000 rechargeable battery (option) or AA alkaline dry cell battery
Battery Life	Approx. 13 h (when the WB-2000 rechargeable battery is used) Approx. 10 h (when the alkaline battery is used)
Indicator	Power/Battery lamps
Antenna	Built-in type
Connector	ø3.5 mm (ø0.14") mini plug
Operating Temperature	-10°C to +50°C (14°F to 122°F) (except battery)
Operating Humidity	30 % to 85 %RH
Finish	Resin, coating
Dimensions	62 (W) x 102.5 (H) x 23 (D) mm (2.44" x 4.04" x 0.91")
Weight	90 g (0.2 lb) (with battery)
Included Accessories	Screw driver x 1, Storage case x 1, Neck strap x 1
Optional Accessories	Battery charger: BC-5000-2, BC-5000-6, BC-5000-12 Ni-MH battery: WB-2000-2 (containing 2 pieces) Unidirectional lavalie microphone: YP-M5300 Omnidirectional lavalier microphone: YP-M5310 Headset microphone: WH-4000A, WH-4000H

### UNIDIRECTIONAL LAVALIER MICROPHONE

Type	Electret condenser type
Directivity	Unidirectional
Sensitivity	-63 dB ±3 dB (0 dB = 1 V/0.1 Pa, 1 kHz)
Maximum Input Level	120 dB SPL
Frequency Response	100 Hz - 12 kHz

Output Terminal	Ø3.5 mm (Ø0.14") mini plug
Cable Length	1.3 m (4.27 ft)
Finish	Dark black
Weight	20 g (0.71 oz) (cable included)
(*1) 0 dB = 1 V	
Power Source	AC mains (supplied AC adapter must be used)
Power Consumption	130 mA (12 V DC)
Receiving Frequency	576 - 606 MHz, UHF
Channel Selection	16 channels
Receiving System	Double super-heterodyne
Diversity System	Space diversity
Mixing Output	MIC: -60 dB (*1), 600 Ω, balanced, XLR-3-32 type connector LINE: -20 dB (*1), 600 Ω, unbalanced, phone jack
Mixing Input	-20 dB (*1), 10 kΩ, unbalanced, phone jack
Antenna	Whip antenna
Receiving Sensitivity	90 dB or more, Signal to Noise ratio (20 dBμV input, 40 kHz deviation)
Squelch Sensitivity	16 - 40 dBμV variable
Squelch System	Using together of noise SQ, carrier SQ and tone SQ
Tone Frequency	32.768 kHz
Indicator	ANT A/B, Audio (peak), Battery alarm, Channel number
Channel Check	Usable frequencies scanning
Signal to Noise Ratio	104 dB or more (A-weight, unbalanced output)
Frequency Response	100 Hz - 15 kHz, ±3 dB
Operating Temperature	-10 °C to +50 °C (14 °F to 122 °F)
Operating Humidity	30 % to 85 %RH
Finish	Resin, black
Dimensions	206 (W) x 40.6 (H) x 152.7 (D) mm (8.11" x 1.6" x 6.01") (excluding antenna)
Weight	590 g (1.3 lb)
Included Accessories	AC adapter x 1

## \*Verion | Receiving Frequency

A01 | 692 - 722 MHz, UHF

B01, B02 | 722 - 752 MHz, UHF

C01 - C07 | 794 - 830 MHz, UHF

D01 - D05 | 830 - 865 MHz, UHF

E01 | 668 - 698 MHz, UHF

F01 | 636 - 666 MHz, UHF

G01, G02 | 606 - 636 MHz, UHF

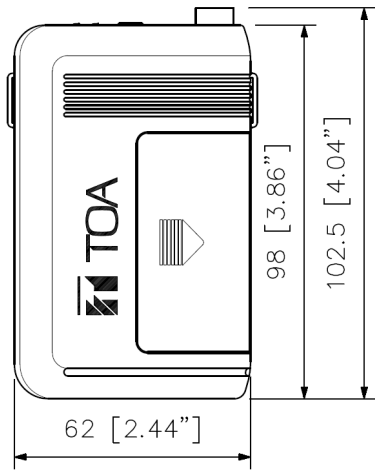
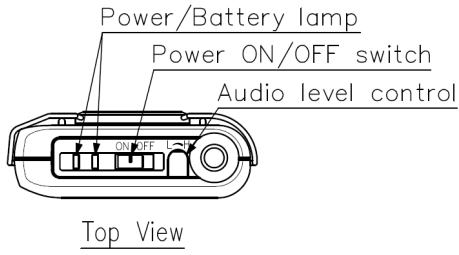
H01 | 576 - 606 MHz, UHF

Note: For Thailand,

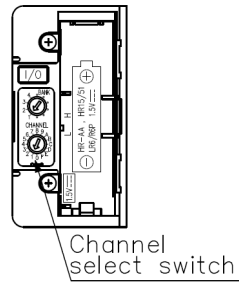
B02 | 748.3 - 757.7 MHz, C04 | 803.3 - 805.7 MHz

## Dimensions

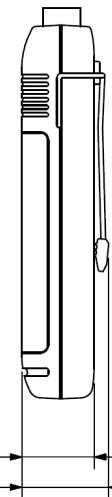
Wireless Transmitter



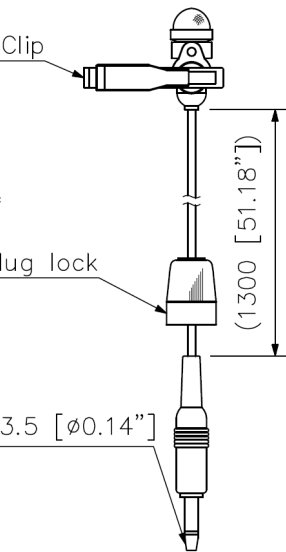
Front View



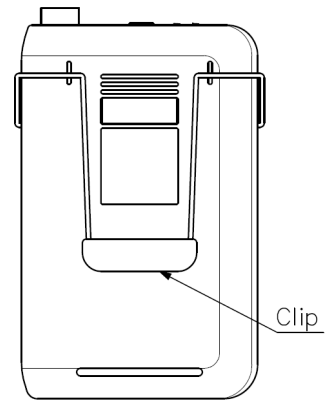
Inside of a battery cover



Side View



Lavalier Microphone



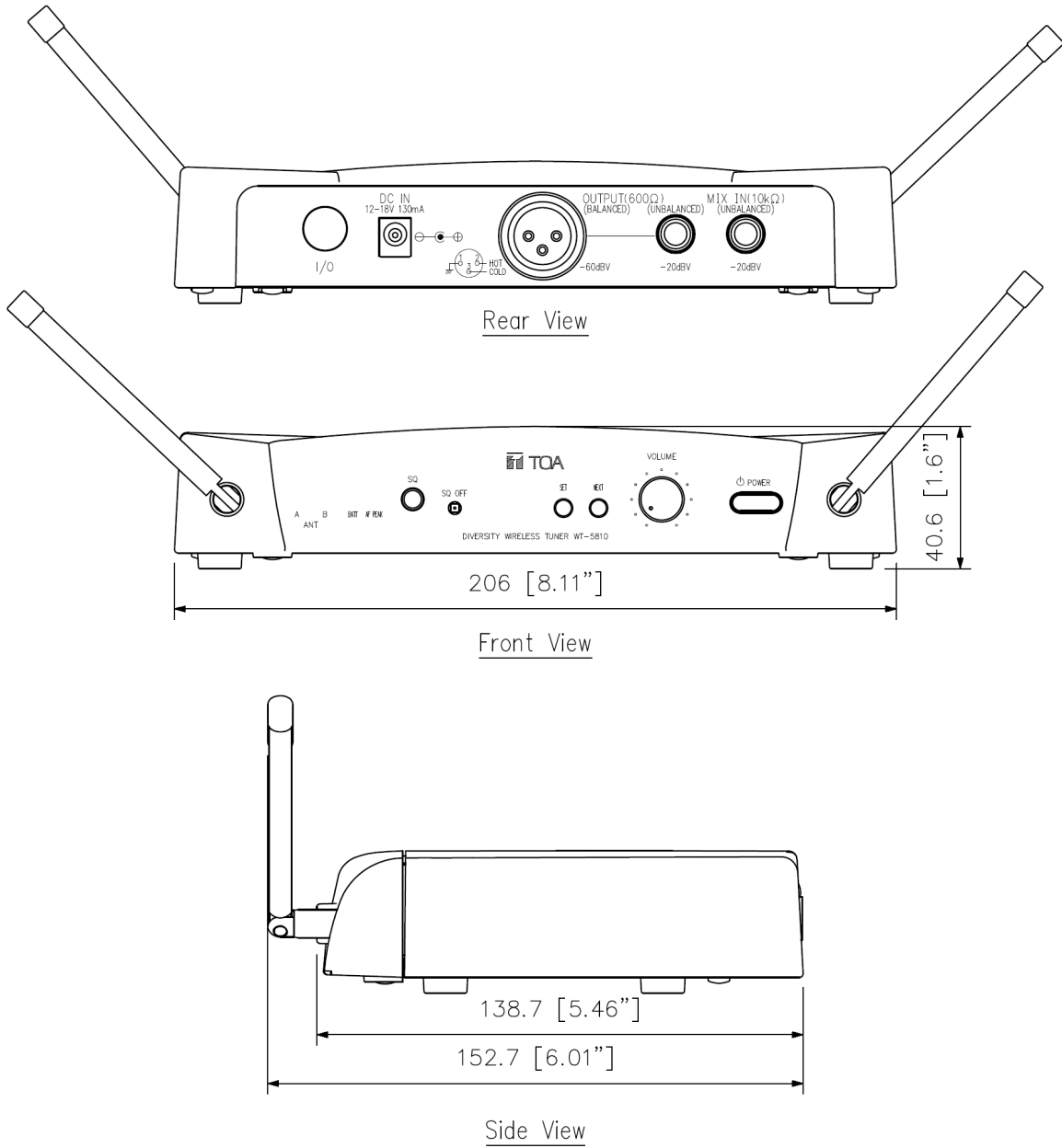
Rear View

UNIT:mm

Note: Numerical values in parentheses are for reference only.

## Dimensions

### Diversity wireless tuner



UNIT:mm