

## WS-5265 H01US

### WIRELESS SET



The WS-5265 includes a handheld wireless microphone WM-5265 and a diversity wireless tuner WT-5810. The WM-5265 wireless microphone employs a dynamic microphone capsule and is suitable for any applications. Thanks to the PLL-synthesizer system, 64 different operating frequencies are made available. A high output power ensures stable radio signal transmission. The WT-5810 is a PLL-synthesizer controlled double superhetrodyne diversity tuner designed to be used with a UHF wireless system. It employs a compander noise reduction circuit to minimize the influence of ambient RF noise.

## Key features

### Wireless Microphone

- Unidirectional dynamic microphone
- Power switch prevents the microphone from rolling
- The optional BC-5000-2 battery charger with WB-2000-2 Y batteries provides approx. 13 hours of continuous use.

### Tuner

- Diversity operation
- Automatic frequency scan
- Adjustable 7-step squelch function
- Supplied audio mixing input and audio mixing output
- Indication of transmitter's battery life
- Compact portable design

## Specifications

System Components	Handheld wireless microphone WM-5265 x 1 Diversity wireless tuner WT-5810 x 1
Frequency Range	576 - 865 MHz, UHF
Tone Frequency	32.768 kHz
Operating Temperature	-10 °C to +50 °C (14 °F to 122 °F) (except battery)
Included Accessories	AC adapter x 1, Screw driver x 1, Microphone holder W3/8" (stand adapter W5/8" -> W3/8") x 1, Storage case x 1
Microphone Element	Dynamic microphone unit: Unidirectional
Modulation	Frequency modulation
Frequency Range	576 - 606 MHz
Channel Selection	64 channels (the number of channels may differ from country to country)
RF Carrier Power	Less than 50 mW (Factory preset 10 mW ERP)
Tone Frequency	32.768 kHz
Maximum Input Level	132 dB SPL
Maximum Deviation	±40 kHz
Audio Frequency Response	100 Hz - 15 kHz
Dynamic Range	95 dB or more (with WT-5800)
Battery	WB-2000 rechargeable battery (option) or AA alkaline dry cell battery
Battery Life	Approx. 13 h (when the WB-2000 rechargeable battery is used) Approx. 10 h (when the alkaline battery is used)
Indicator	Power/Battery lamps
Antenna	Built-in type
Operating Temperature	-10 °C to +50 °C (14 °F to 122 °F) (except battery)
Operating Humidity	30 % to 85 %RH (no condensation)
Finish	Resin, coating
Dimensions	Ø50 x 229 mm (Ø1.97" x 9.02")
Weight	205 g (0.45 lb) (with battery)
Included Accessories	Microphone holder W3/8 (with stand adapter) x 1, Screw driver x 1, Storage case x 1
Optional Accessories	Battery charger: BC-5000-2, BC-5000-6, BC-5000-12 Ni-MH battery: WB-2000-2 (containing 2 pieces)
	(*1) 0 dB = 1 V
Power Source	AC mains (supplied AC adapter must be used)
Power Consumption	130 mA (12 V DC)
Receiving Frequency	576 - 606 MHz, UHF
Channel Selection	16 channels

Receiving System	Double super-heterodyne
Diversity System	Space diversity
Mixing Output	MIC: -60 dB (*1), 600 Ω, balanced, XLR-3-32 type connector LINE: -20 dB (*1), 600 Ω, unbalanced, phone jack
Mixing Input	-20 dB (*1), 10 kΩ, unbalanced, phone jack
Antenna	Whip antenna
Receiving Sensitivity	90 dB or more, Signal to Noise ratio (20 dBμV input, 40 kHz deviation)
Squelch Sensitivity	16 - 40 dBμV variable
Squelch System	Using together of noise SQ, carrier SQ and tone SQ
Tone Frequency	32.768 kHz
Indicator	ANT A/B, Audio (peak), Battery alarm, Channel number
Channel Check	Usable frequencies scanning
Signal to Noise Ratio	104 dB or more (A-weight, unbalanced output)
Frequency Response	100 Hz - 15 kHz, ±3 dB
Operating Temperature	-10 °C to +50 °C (14 °F to 122 °F)
Operating Humidity	30 % to 85 %RH
Finish	Resin, black
Dimensions	206 (W) x 40.6 (H) x 152.7 (D) mm (8.11" x 1.6" x 6.01") (excluding antenna)
Weight	590 g (1.3 lb)
Included Accessories	AC adapter x 1

## \*Verion | Receiving Frequency

A01 | 692 - 722 MHz, UHF

B01, B02 | 722 - 752 MHz, UHF

C01 - C07 | 794 - 830 MHz, UHF

D01 - D05 | 830 - 865 MHz, UHF

E01 | 668 - 698 MHz, UHF

F01 | 636 - 666 MHz, UHF

G01, G02 | 606 - 636 MHz, UHF

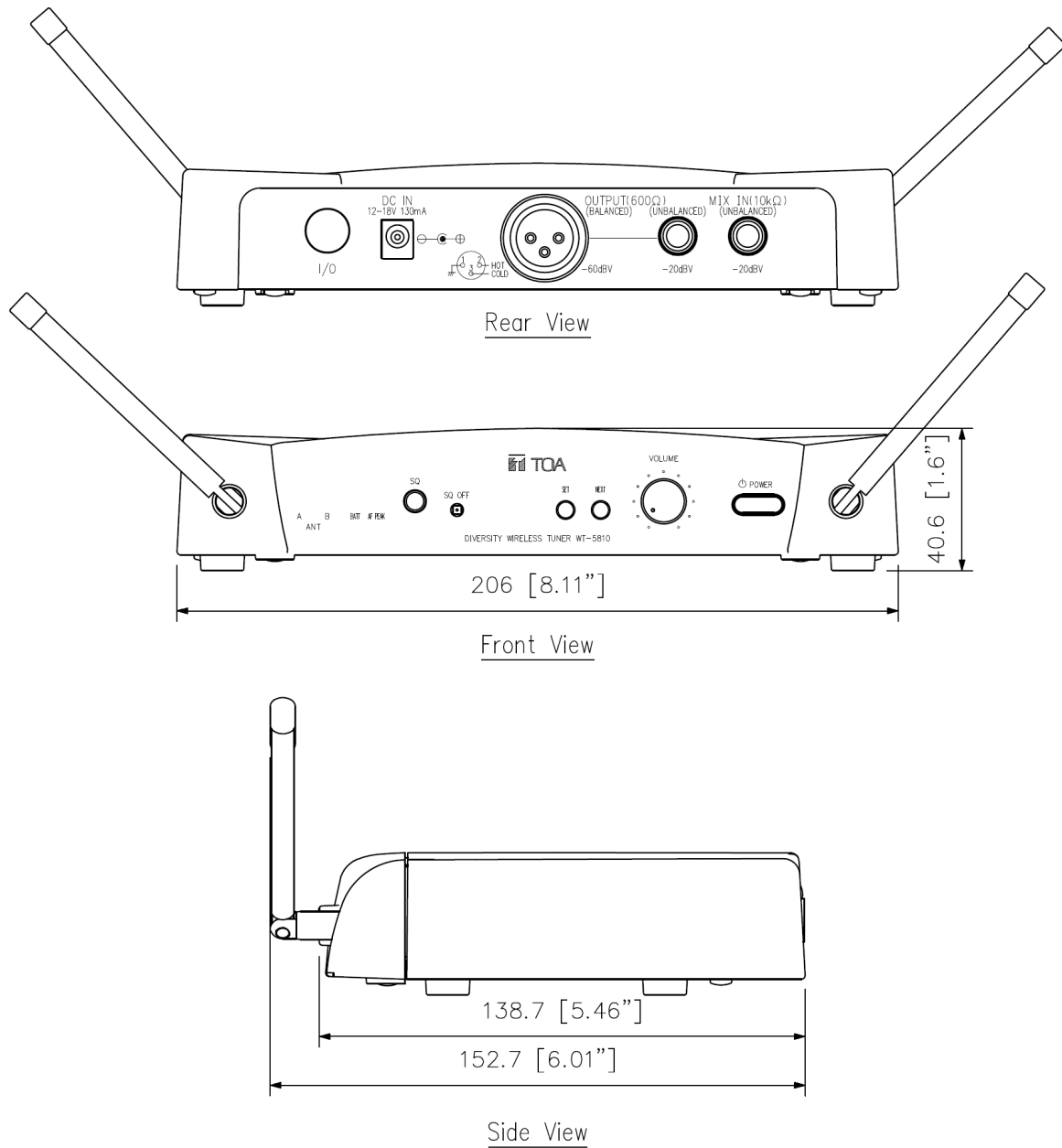
H01 | 576 - 606 MHz, UHF

Note: For Thailand,

B02 | 748.3 - 757.7 MHz, C04 | 803.3 - 805.7 MHz

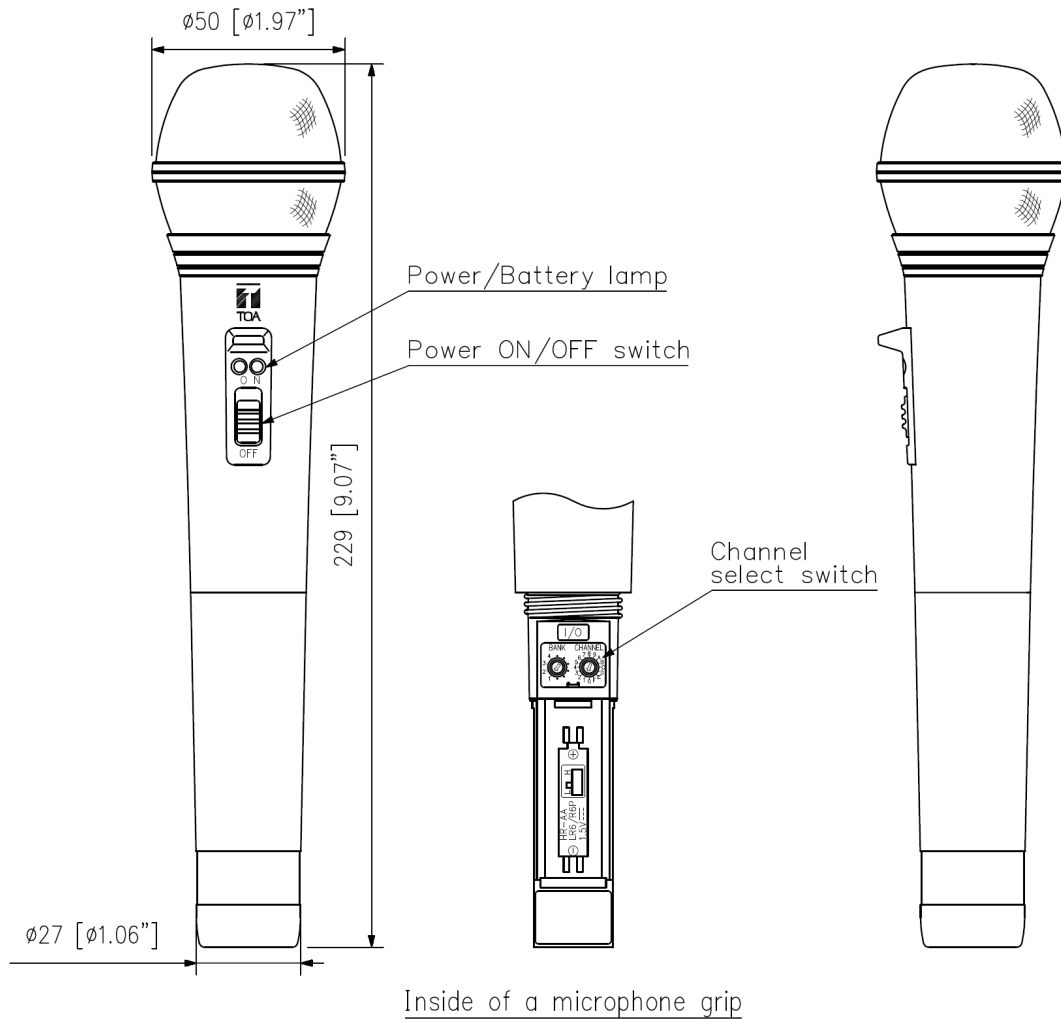
## Dimensions

### Diversity wireless tuner



## Dimensions

### Wireless Microphone



UNIT: mm