

## TS-922 Y

### DELEGATE UNIT



The TS-922 is a Delegate unit of the Infrared Conference system. Since the system is cordless, it can be easily installed and removed. It can be operated on either the AD-0910 AC adapter or the BP-900A lithium-ion battery. It is equipped with a remaining battery indicator. Two types of dedicated microphones are made available for the TS-922 as optional products: the TS-923, TS-903 standard type and the TS-924, TS-904 long type.

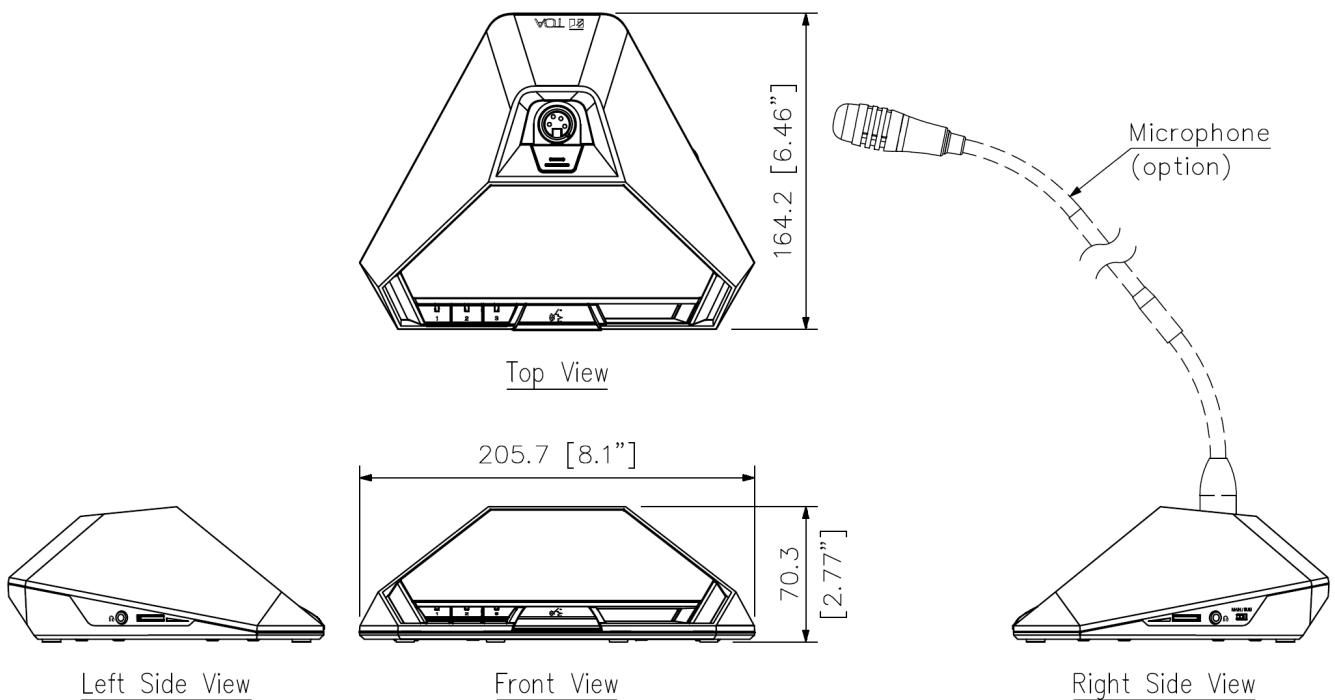
### Key features

- Delegate unit for basic discussion
- Equipped with voting function
- 0.2W monitor speaker
- Audio monitoring switch (Main or Sub)
- 2 headphone jacks with individual volume control
- Approx. 10 hours continuous operation with the use of optional rechargeable lithium-ion battery

## Specifications

Power Source	7.2 V DC (supplied from optional lithium-ion battery), 9 V DC (supplied from optional AC adapter)
Current Consumption	Max. 390 mA Infrared Emitter/Detector
Input	Microphone terminal: XLR-4-31 type
Output	Monitor speaker: 8 Ω, 0.2 W Headphone: Ø3.5 mm mini Jack (3P:monaural) x 2
LED Indicator	Speech indicator, Voting status indicators 1 -3, Power indicator
Function	Monitor volume control, Headphone volume control, Voting function, Monitor selector switch (MAIN/SUB)
Battery Life	Approx. 10 hours
Operating Temperature	0 °C to +40 °C (32 °F to 104 °F)
Operating Humidity	90 %RH or less (no condensation)
Finish	Case: PC resin, black Speaker net: black, mat finish, paint
Dimensions	205.7 (W) x 70.3 (H) x 164.2 (D) mm (8.1 x 2.77" x 6.46")
Weight	525 g (1.16 lb)
Optional Accessories	Microphone: TS-923, TS-903, TS-924, TS-904 (Select either one.)

## Dimensions



UNIT: mm

## A&E specifications

The Delegate Unit shall have base language/translation language selection function. The Delegate Unit shall provide microphone-input terminal using the combined type of XLR-4-31 connector for the (optional) standard microphone or the (optional) long microphone. The Delegate Unit shall include a monitor speaker (8 ohms, 0.2 watts) and two of headphone mini jacks. The monitor speaker volume and two headphone outputs volume shall be adjustable. The Delegate Unit shall include an LED indicator, which shall provide a speech indicator, power indicator / low battery indicator and out of communication range indicator. The Delegate Unit shall operate on 7.2V DC (using the optional Lithium-Ion Battery) or 9V DC (using the optional AC Power Supply). Two types of dedicated microphones shall be available as optional products: the standard type and the long type. The Delegate Unit shall weigh 525g (1.16 lbs) and be constructed of PC resin with black finish. The dimensions shall be 205.7 (W) x 70.3 (H) x 164.2 (D) mm (8.10" x 2.77" x 6.46").

The Delegate Unit shall be the TOA model TS-922. The standard microphone shall be the TOA model TS-923. The long microphone shall be the TOA model TS-924. The AC Power Supply shall be the TOA model AD-0910. The Lithium-Ion Battery shall be the TOA model BP-900A.