

TS-821 Y

CHAIRMAN UNIT



The TS-821 is a Chairman unit of the Infrared Conference system. Since the system is cordless, it can be easily installed and removed. The Chairman unit features a priority speech key which allows it to take precedence over the TS-822 Delegate units when speaking. It can be operated on either the AD-0910 AC adapter or the BP-900A lithium-ion battery. It is equipped with a remaining battery indicator. Two types of dedicated microphones are made available for the TS-821 as optional products: the TS-923, TS-903 standard type and the TS-924, TS-904 long type.

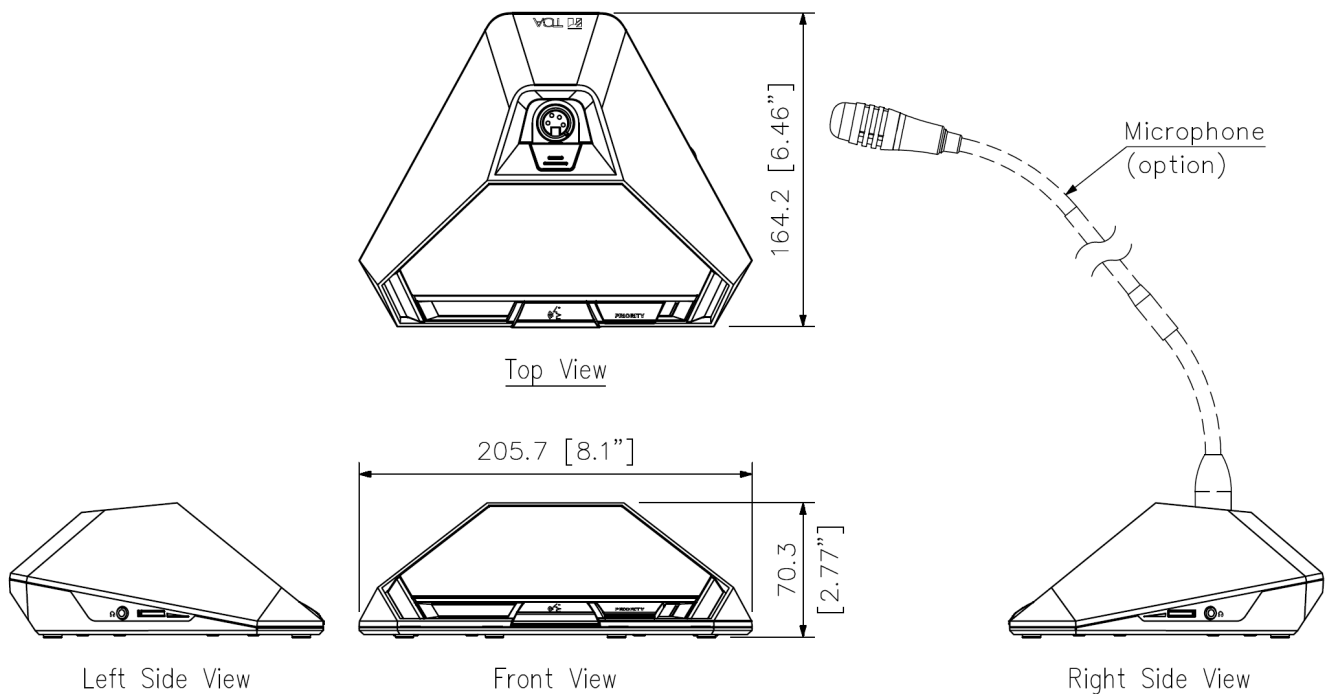
Key features

- Chairman unit for basic discussion
- Priority button
- 0.2W monitor speaker
- 2 headphone jacks with individual volume control
- Approx. 10 hours continuous operation with the use of optional rechargeable lithium-ion battery

Specifications

Power Source	7.2 V DC (supplied from optional lithium-ion battery), 9 V DC (supplied from optional AC adapter)
Current Consumption	Max. 390 mA Infrared Emitter/Detector
Input	Microphone terminal: XLR-4-31 type
Output	Monitor speaker: 8 Ω, 0.2 W Headphone: Ø3.5 mm mini Jack (3P:monaural) x 2
LED Indicator	Speech indicator, Power indicator
Function	Monitor volume control, Headphone volume control, Priority speech function
Battery Life	Approx. 10 hours
Operating Temperature	0 °C to +40 °C (32 °F to 104 °F)
Operating Humidity	90 %RH or less (no condensation)
Finish	Case: PC resin, black Speaker net: black, mat finish, paint
Dimensions	205.7 (W) x 70.3 (H) x 164.2 (D) mm (8.1 x 2.77" x 6.46")
Weight	525 g (1.16 lb)
Optional Accessories	Microphone: TS-923, TS-903, TS-924, TS-904 (Select either one.)

Dimensions



UNIT:mm

A&E specifications

The Chairman Unit shall feature a priority speech key, which allows it to take precedence over the Delegate Unit when speaking. The Chairman Unit shall provide microphone-input terminal using the combined type of XLR-4-31 connector for the (optional) standard microphone or the (optional) long microphone. The Chairman Unit shall include a monitor speaker (8 ohms, 0.2 watts) and two of headphone mini jacks. The monitor speaker volume and two headphone outputs volume shall be adjustable. The Chairman Unit shall include an LED indicator, which shall provide a speech indicator, power indicator / low battery indicator and out of communication range indicator. Built-in DIP switch on its bottom shall enable the following settings: Priority operation setting, Priority chime mute setting, and Priority speech key operation setting. The Chairman Unit shall operate on 7.2V DC (using the optional Lithium-Ion Battery) or 9V DC (using the optional AC Power Supply). Two types of dedicated microphones shall be available as optional products: the standard type and the long type. The Chairman Unit shall weigh 525g (1.16 lbs) and be constructed of PC resin with black finish. The dimensions shall be 205.7 (W) x 70.3 (H) x 164.2 (D) mm (8.10" x 2.77" x 6.46").

The Chairman Unit shall be the TOA model TS-821.

The standard microphone shall be the TOA model TS-923.

The long microphone shall be the TOA model TS-924.

The AC Power Supply shall be the TOA model AD-0910.

The Lithium-Ion Battery shall be the TOA model BP-900A.