

SC-615

PAGING HORN SPEAKER



The SC-615 is a compact, highly intelligible speaker suited to public address announcement applications. Its external speaker component finished with powder coating, and stainless steel bracket and screws ensure the unit's weatherproof capability.

Key features

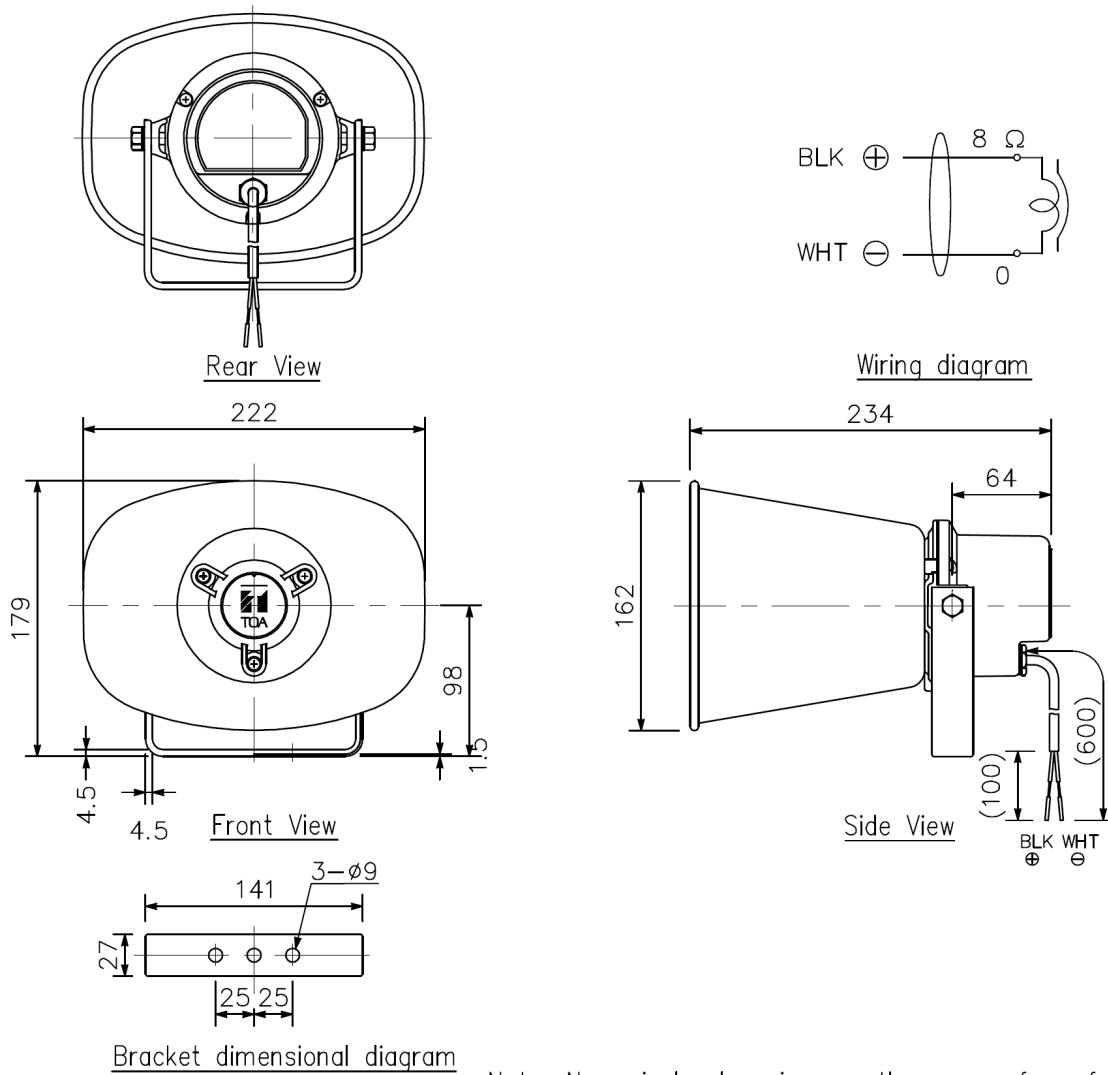
- **Delivers Clear Audio:** High sound pressure level (112 dB) ensures intelligible voice announcements.
- **Weather-Resistant Design:** IP65-rated and corrosion-resistant materials support outdoor use in typical conditions.
- **Durable Build:** Shock-resistant aluminum horn and stainless steel hardware provide long-term reliability.
- **Compact and Lightweight:** Easy to install in various locations, weighing only 1.1 kg.
- **Ideal for Standard Systems:** Designed for low-impedance setups, suitable for direct amplifier connections.

Specifications

Rated Input	15 W (Mobile Mount use: 10 W)
Rated Impedance	8 Ω
Sound Pressure Level	112 dB (1 W, 1 m at 500 Hz to 2.5 kHz peak level)
Frequency Response	280 Hz - 12.5 kHz
Polarity	Hot: Black , Com: White
Dust/Water Protection	IP65
Operating Temperature	-20 °C to +55 °C (-4 °F to 131 °F) (must be free from dew condensation)
Finish	Horn flare: Aluminum, off-white, powder coating Reflector horn and rear cover: ABS resin, off-white Bracket, screws and bolts: Stainless steel Speaker cable: Polyvinyl chloride insulated cabtyre cable (6 mm in diameter, 600 mm in length)
Dimensions	222 (W) x 179 (H) x 234 (D) mm
Weight	1.1 kg
Optional Accessories	Swivel bracket: YS-151S (Can be used instead of the supplied bracket.)

Note: Avoid installing the speaker in locations which vibrate considerably or under environments easy to be oil-contaminated.

Dimensions



UNIT:mm

Note: Numerical values in parentheses are for reference only.

A&E specifications

The paging horn speaker shall be a double re-entrant design suitable for paging and tone signaling distribution. The speaker component shall be a compression driver with a phenolic diaphragm to prevent deformation from heat and moisture.

Power handling shall be 15 watts, and the speaker shall have a nominal impedance of 8 ohms, suitable for use with low-impedance speaker lines.

The sound pressure level, measured at 1 metre with 1 watt of power applied (500 Hz to 2.5 kHz), shall be 112 dB SPL (typical).

Frequency response shall be 280 Hz to 12.5 kHz.

The speaker shall comply with IEC IP65 standards for dust and moisture resistance, and operate within a temperature range of -20 °C to +55 °C (-4 °F to +131 °F).

Construction shall include:

Horn flare: aluminium, off-white, powder coating

Reflector horn and rear cover: ABS resin, off-white

Speaker cable: integral PVC-insulated cable with strain relief, 6 mm (0.24") diameter, 600 mm (23.62") length

Speaker dimensions shall be 222 mm (W) × 179 mm (H) × 234 mm (D) (8.74" × 7.04" × 9.21"), and weight shall be 1.1 kg (2.43 lbs).

The paging horn speaker shall be TOA model SC-615.

The optional swivel-mount bracket shall be TOA model YS-151S.