

## N-8650DS

### IP INDOOR STATION



The N-8650DS is an indoor use IP door station employing packet audio technology. Connecting the N-8650DS to an IP network (LAN or WAN) permits hands-free conversation of high sound quality to be made between the N-8650DS and the intercom station connected to the IP Intercom Exchange, or between the N-8650DS and an IP multifunctional master station. Besides, the N-8650DS can be used in conjunction with the Multi Interface units through a network. The N-8650DS is equipped with 1 channel of control input, 5 channels of control outputs (including 1 channel of relay control output), and speaker output, thereby enabling connections of external equipment such as a sensor, indicator, and external speaker.

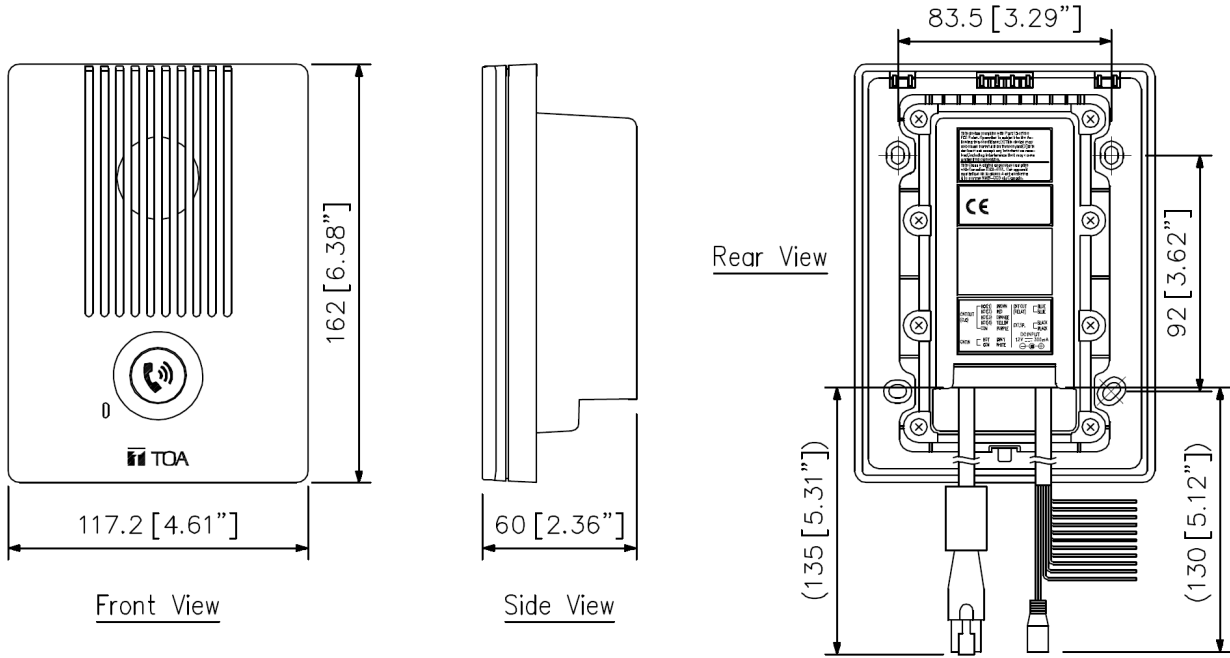
### Key features

- For indoor use
- Hands-free conversation
- High sound quality
- External speaker connector (8  $\Omega$ )
- 1x Control In
- 4x Control Out / 1x Contact Out
- PoE
- Status LED

## Specifications

Power Source	Power supply device that complies with IEEE802.3af standard or 12 V DC (supplied from the AC adapter (option))
Power Consumption	Use of the AC adapter (12 V DC): 3.5 W (station only), Use of the PoE (48 V DC): 5 W
Speech Method	Hands-free conversation
Audio Frequency Range	300 Hz - 7 kHz
Hands-free	Speaker: 3.5 cm (1.38) cone-type Microphone: Omni-directional electret condenser microphone
Control Input	1 channel, no-voltage make contact input, open circuit voltage: 5 V DC, short circuit current: 10 mA or less, unterminated ends
Control Output	Open collector output, 4 channels, withstand voltage: 30 V DC, control current: Max. 50 mA (4 output 1COMMON), unterminated ends Relay contact output, 1 channel, withstand voltage: 30 V DC, control current: Max. 500 mA, unterminated ends
Network Section	Network I/F: 10BASE-T/100BASE-TX (Automatic-Negotiation) Network protocol: TCP/IP, UDP, HTTP, RTP, ARP, ICMP, IGMP Audio packet transmission system: Unicast, Multicast Number of paging destinations: 0, *Reception only Connector: LAN: RJ45 connector (PoE compatible) Voice sampling frequency: 16 kHz, 8 kHz (controllable on the software) Quantifying bit number: 16-bit Voice encoding method: Sub-band ADPCM, Cryptosystem Voice packet loss recovery: Silence insertion Audio delay time: 80 ms, 320 ms (controllable on the software)
Indicator	Status lamp (built in the Call button)
External Speaker Terminal	Maximum output 0.5 W, 8 Ω, unterminated ends
Installation Method	Flush-mount/Surface-mount
Operating Temperature	-10 °C to +50 °C (14 °F to 122 °F)
Operating Humidity	90 %RH or less (no condensation)
Finish	ABS resin, dark gray
Dimensions	117.2 (W) x 162 (H) x 60 (D) mm (4.61" x 6.38" x 2.36")
Weight	400 g (0.88 lb)
Included Accessories	Box mounting screw (No.6-32UNC x 20) ...4, Box mounting screw (M4 x 20) ...4, LAN coupler ...1
Optional Accessories	AC adapter: AD-1210P, AD-1215P
Compatible Box	For wall mount: Wall-mount Box YS-13A (option) For flush mount: 3-gang electrical box or Back Box YC-150 (option)

# Dimensions



UNIT:mm

Note: Numerical values in parentheses are for reference only.

## A&E specifications

The IP indoor station is designed for use with TOA's packet intercom system (IP network compatible intercom system) that employs the packet audio technology and can be connected to an existing local area network (LAN) or wide area network (WAN). Network shall be made possible using RJ45 connection via a switching hub. Connecting the station to a switching hub with PoE functionality shall eliminate the need for an AC adapter. Network interface shall be I/F 10BASE-T/100BASE-TX (Automatic-Negotiation) Auto MDI/MDI-X compatible Network Protocol TCP/IP, UDP, ARP, ICMP, HTTP, RTP, IGMP.

The IP door station shall be capable of automatic duplex hands-free conversation between the IP door station and IP master station or master stations connected to the intercom exchange.

It shall have 1 control input and 5 control outputs, including 1 relay channel, allowing connections to sensors such as electronic lock and other external equipment.

The IP door station shall have an operating temperature of between -10 # to +50 # with a relative humidity of 90% or less.

Power requirements shall be 12 V DC from an optional AC adapter or by using a complaint PoE switching hub. The IP door station can be flush mounted or wall mounted by using an optional wall mount back box.

The dimension shall be 117.2 (W) × 162 (H) × 60 (D) mm (4.61" × 6.38" × 2.36") weighing 400 g (0.88 lb).

Optional extras: AD-1210P, AD-1215P AC adapter. Applicable back boxes: YS-13A wall-mount box. YC-150 flush-mount manufactured by TOA Corporation.