

N-8010MS Y

MASTER STATION



This Master Station is designed to connect to the IP Intercom Exchange, and provides hands-free or handset conversation of high sound quality. This station can be mounted to the wall using an optional YC-280 wall mounting bracket.

Key features

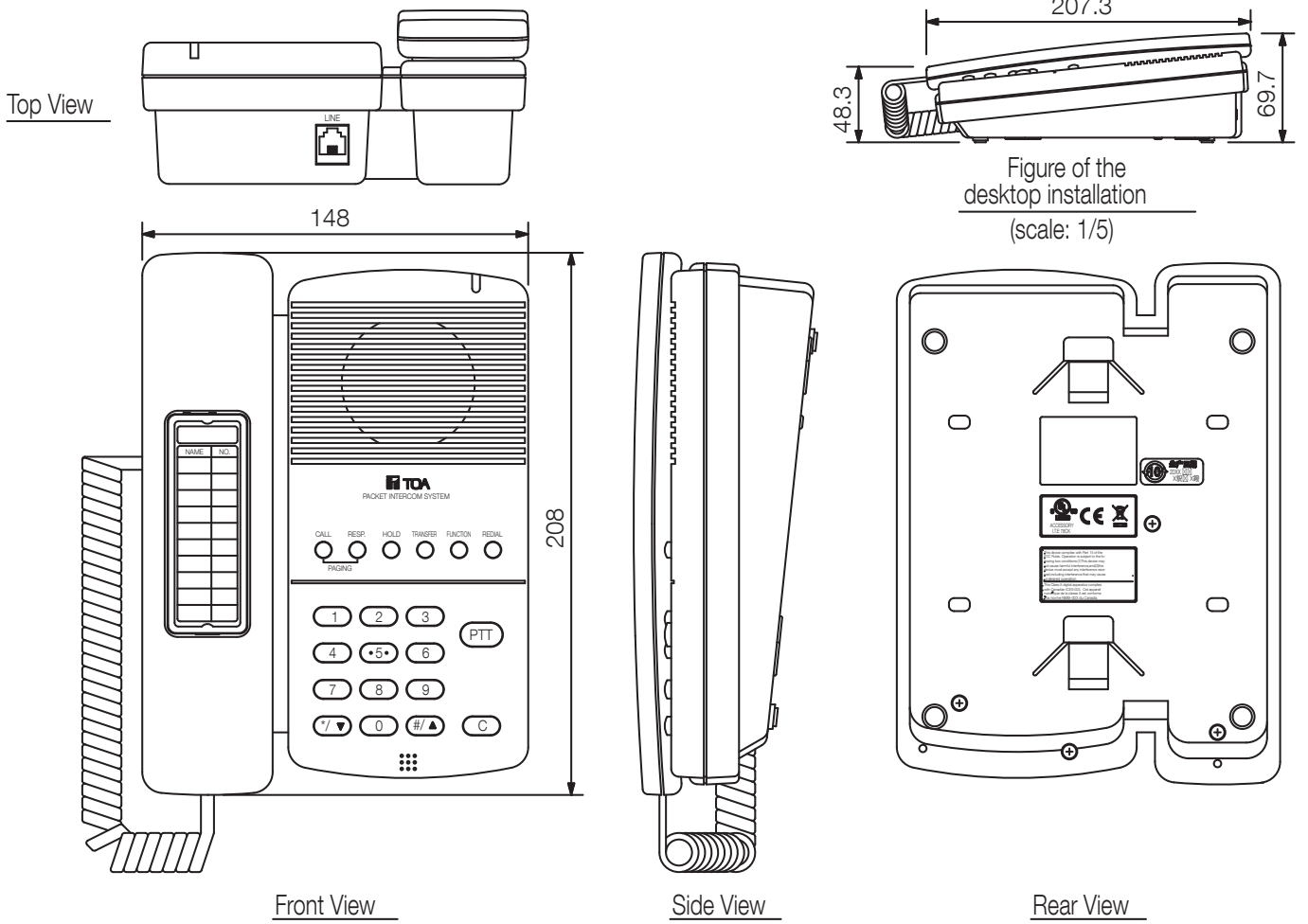
- Hands-free or handset conversation
- High sound quality
- Status LED

Specifications

* 0 dB = 1 V

Power Source	48 V DC (supplied from the IP intercom exchange (option))
Power Consumption	1.8 W (at rated), 2.4 W (max.)
Wiring Method	1 set of twisted pair cable
Transmission System	2 wire 160 kbps echo canceller transmission system
Signal Level	Under 0 dB*
Speech Method	Hands-free or handset conversation
Audio Frequency Range	300 Hz - 7 kHz
Transmission Range	Max. 1500 m (#0.65 mm, Loop resistance 170 Ω)
Hands-free	Speaker: 5.7 cm cone-type, 0.6 W, 8 Ω Microphone: Omni-directional electret condenser microphone
Handset	Receive path: Dynamic type Send path: Electret condenser microphone
Indicator	Status lamp
Line Connecting Terminal	RJ11 modular jack
Installation Method	Desk/Surface mounted master station (When mounting to the wall, use the optional YC-280.)
Operating Temperature	0 °C to +40 °C (32 °F to 104 °F)
Operating Humidity	Under 90 % RH (no condensation)
Finish	Body, Handset: ABS resin, gray
Dimensions	148 (W) x 208 (H) x 70.5 (D) mm (excluding a curl cord section)
Weight	700 g
Included Accessories	Connection cord (3 m) ... 1
Optional Accessories	Wall mounting bracket: YC-280

Dimensions



UNIT:mm

SCALE:1/3

A&E specifications

Standard main intercom with handset and speakerphone with echo cancellation.

10 Buttons, 4 programmable speed dial buttons, 2 function keys, talk priority button, delete button, call button (for announcement), answer key (for announcement), hold-down button, transfer button (manual call forwarding), redial.

Function call button for activation control output, call forwarding, Office transfer, time-based call forwarding, busy forwarding, background music.