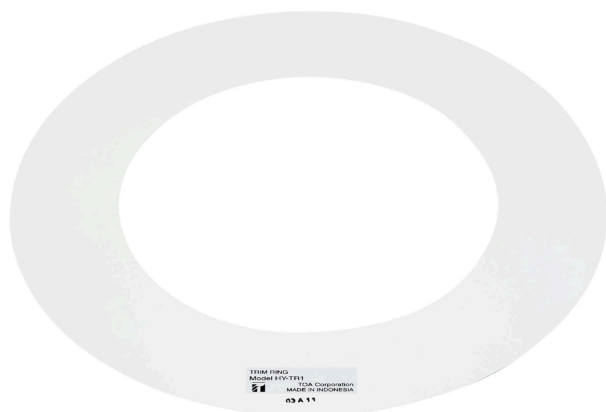


HY-TR1

TRIM RING



The HY-TR1 Trim Ring allows installation of flush-mounted ceiling speakers in pre-existing ceiling panel holes which are over 200 mm in diameter. The use of 2 Trim Rings allows the speaker to be mounted in holes from 240 mm to 300 mm in diameter.

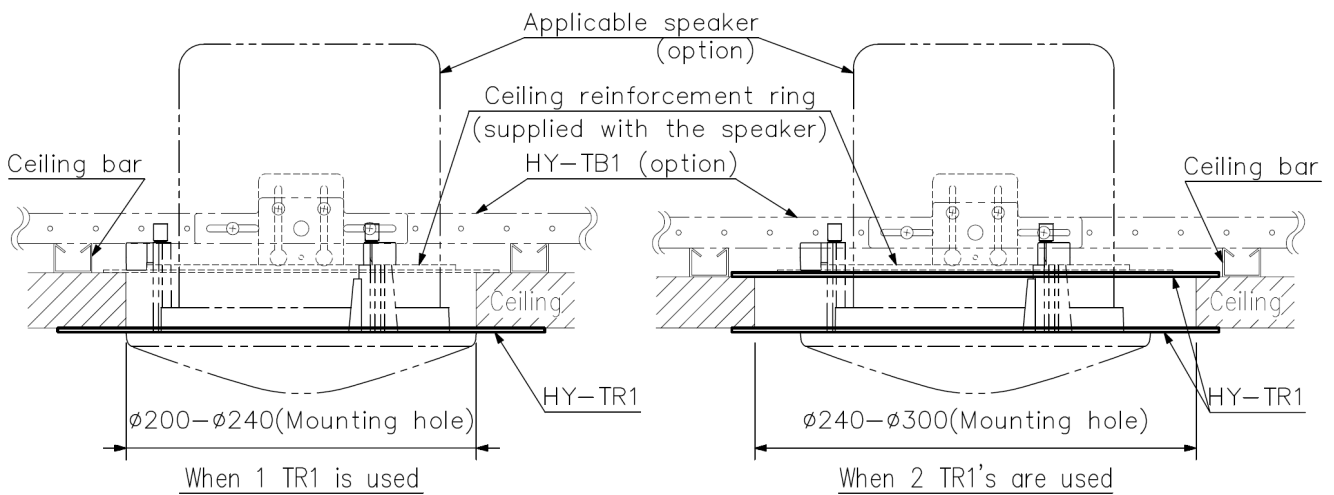
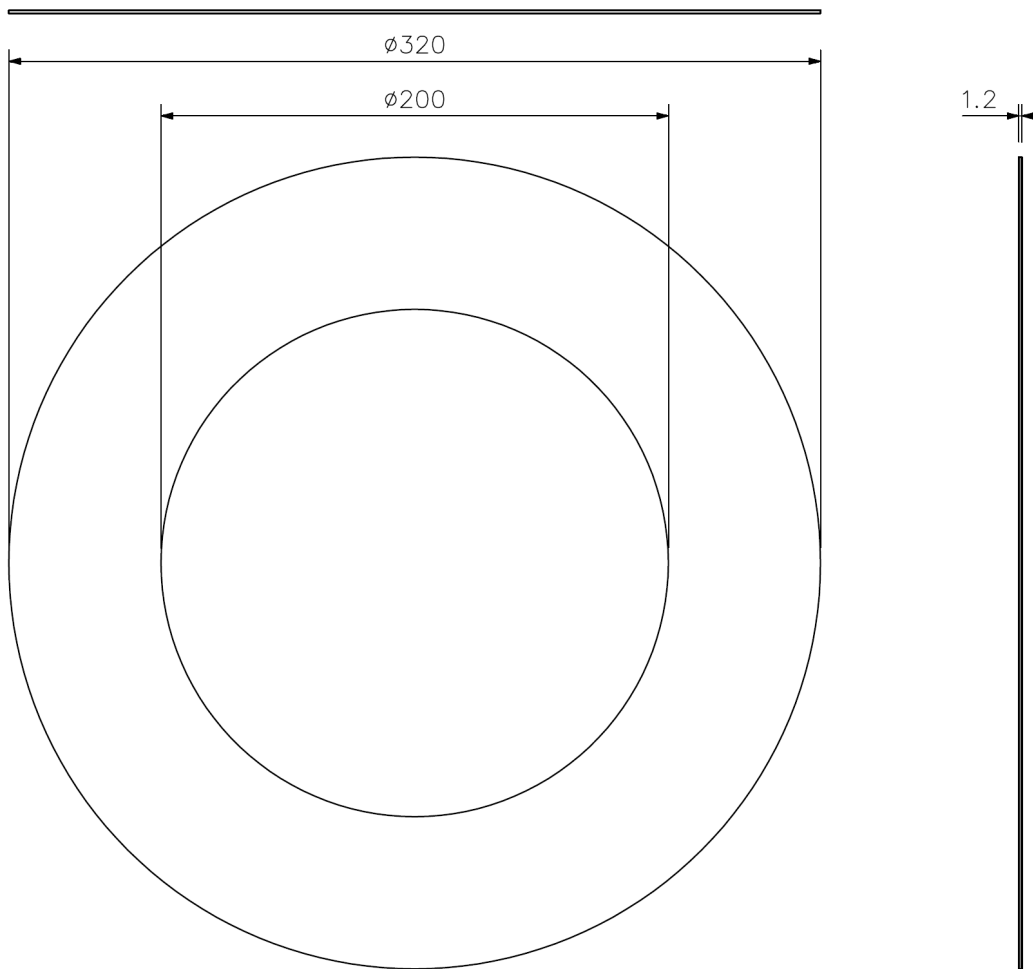
Key features

- Used to install flush-mounted ceiling speakers in larger-than-designated mounting holes.
- Using up to two HY-TR1 rings in combination with other mounting hardware allows the speaker to be installed in mounting holes of from 200 to 300 mm (7 7/8" – 11 13/16") in diameter.
- Finish: Surface-treated steel plate, white, paint
- Weight: 500 g

Specifications

Opening Hole	Ø200 - Ø300 mm
Finish	Surface-treated steel plate, white, paint
Weight	500 g

Dimensions



UNIT:mm

Mounting example