

HY-TB1

ADAPTER PANEL



The HY-TB1 is a channel bar to be used when supporting flush-mounted ceiling speakers by way of ceiling bars to prevent their full weight from being directly applied to the ceiling panel during installation. This channel bar is used in conjunction with reinforcement hardware supplied with the speaker. One complete set consists of 2 HY-TB1 bars.

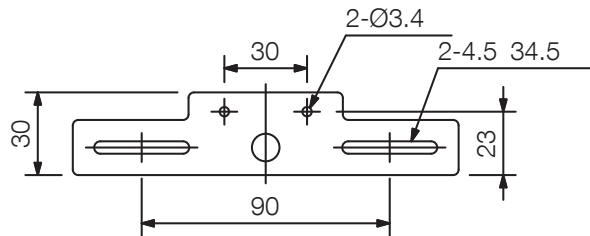
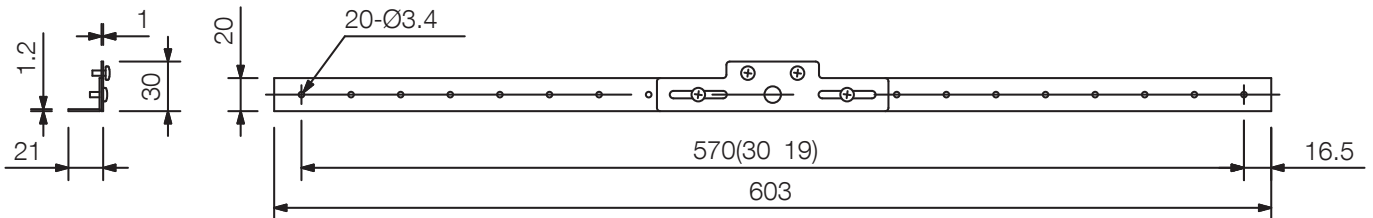
Key features

- Long support frame (set of 2 rails) designed to provide secure support for flush-mounted ceiling speakers while preventing the speaker's weight from being directly applied to the ceiling panels.
- Finish: Steel plate, plating
- Weight: 500 g (2 pieces)

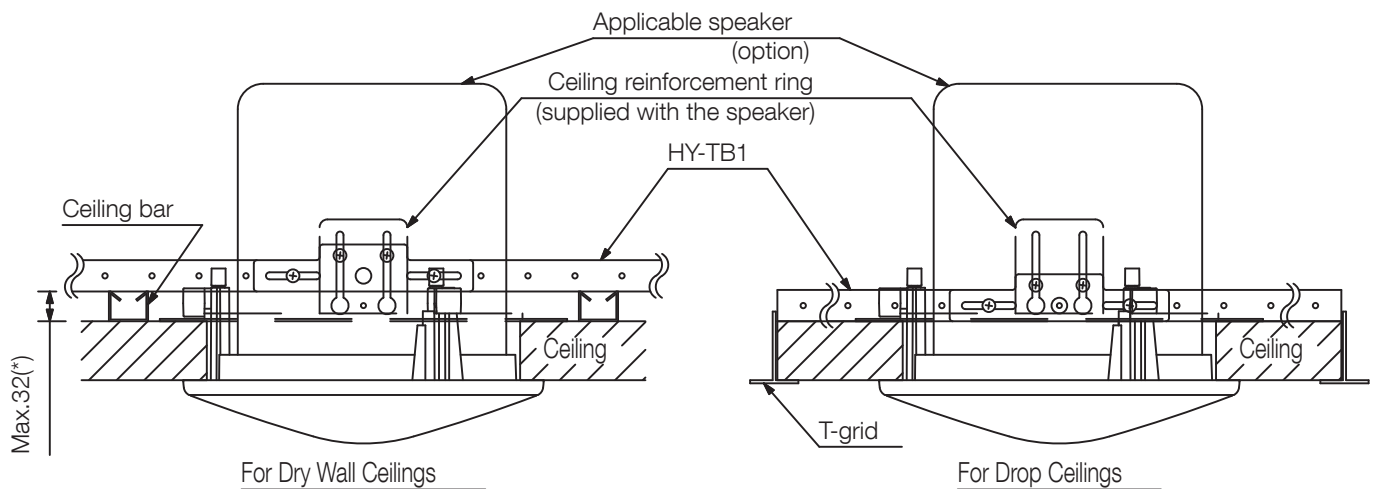
Specifications

Finish	Steel plate, plating
Weight	500 g (for set of 2 bars)

Dimensions



Magnified view of preinstalled tie-plate
(SCALE:1/3)



(*)This length can be extended to up to 58 mm by turning the tie-plate upside down.

Mounting example

NOTE: Ensure that the ceiling frames and panels are strong enough to withstand the weight of mounted ceiling speaker.

UNIT:mm SCALE:1/5