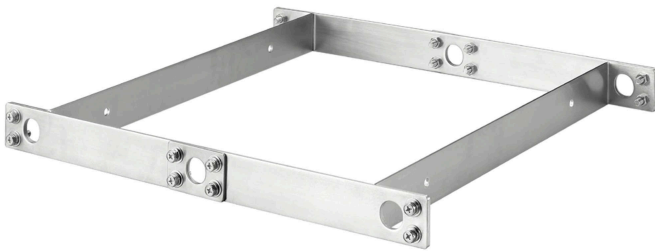


HY-PF1WP

SPEAKER RIGGING FRAME



The HY-PF1WP is used exclusively to suspend the HX-5 speaker system from the ceiling. The FB-120 series Subwoofer can be suspended using this frame and the frame's supplied mounting brackets. This bracket is designed for outdoor use.

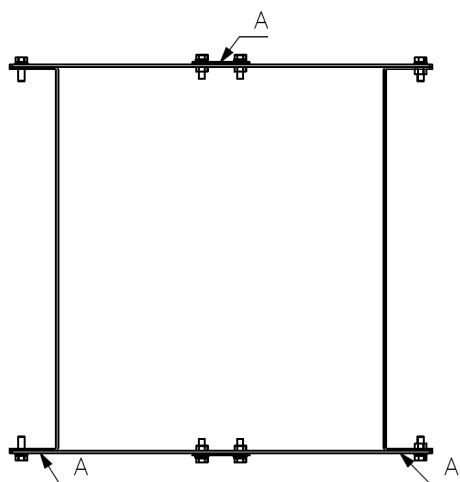
Key features

Specifications

Installation Environment	Indoor installation, under-eave installation(*1)
Finish	Stainless steel
Dimensions	550 (W) x 50 (H) x 512 (D) mm
Weight	3.6 kg

(*1) Avoid installing the speaker in locations close to the seashore or in indoor swimming facilities that are not well ventilated. In such locations, the bracket may be vulnerable to corrosion, eventually allowing the speaker to fall resulting in personal injury.

Dimensions

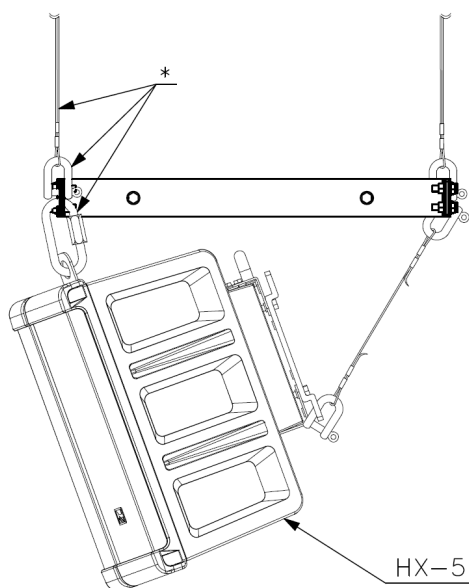
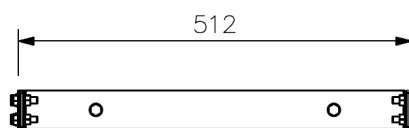
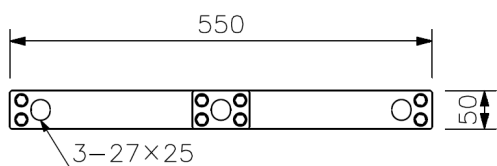


Hanging the HX-5B-WP or HX-5W-WP

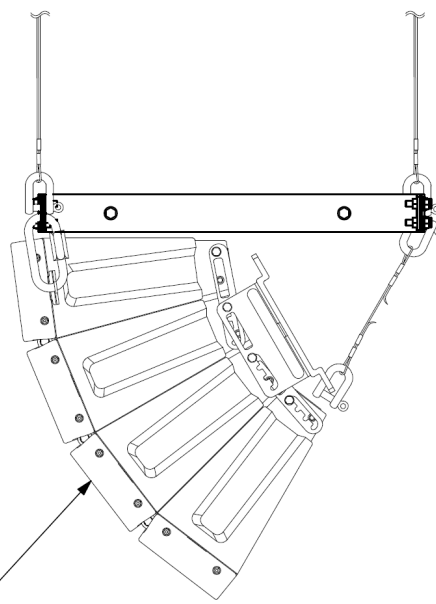
Holes A are used for hanging between the HY-PF1WP and the HX-5B-WP or HX-5W-WP, and also between the HY-PF1WP and the ceiling (3-point hanging).

Notes:

1. All speaker modules must point downward from the horizontal. Failure to do so could adversely affect their intended splash-proof and weather-resistant capabilities, leading to malfunction.
2. Be sure to mount this speaker under eaves wherever possible to prevent direct exposure to rain and wind. Failure to follow this instruction could cause the speaker to exceed its capabilities as a splash-proof speaker, potentially leading to malfunction.



Hanging horizontally



Hanging vertically

HX-5 series
(option)

UNIT:mm

* Note: Wires, anchor shackles, and carabiners necessary for hanging are not supplied with the product.