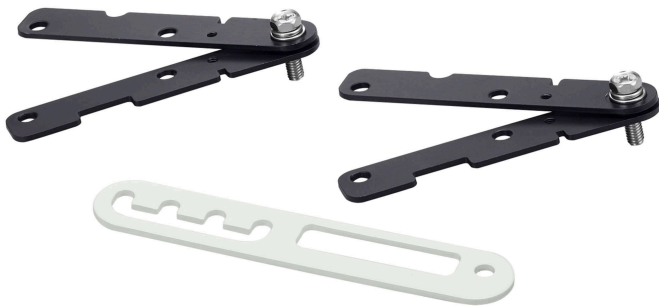


HY-CN1W-WP

SPEAKER EXTENSION BRACKET



The HY-CN1W-WP is used to join 2 HX-5 series speaker systems, typically for the purpose of achieving better speaker directivity control in lower frequencies. Such directivity control helps achieve clearer and longer-range sound reproduction in locations where sound efficiency may be hampered by conditions like long reverberation time or a high level of background noise. This bracket is designed for outdoor use.

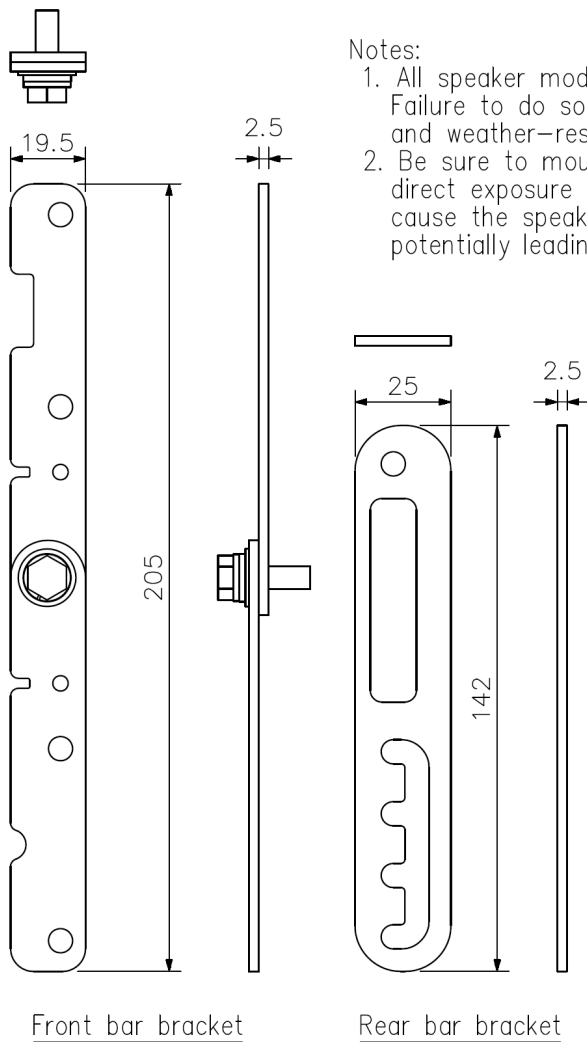
Key features

Specifications

Installation Environment	Indoor installation, under-eave installation(*1)
Finish	Stainless steel, white, semi-gloss, paint
Weight	200 g
Product Composition	Front bar bracket ...2, Rear bar bracket ...1

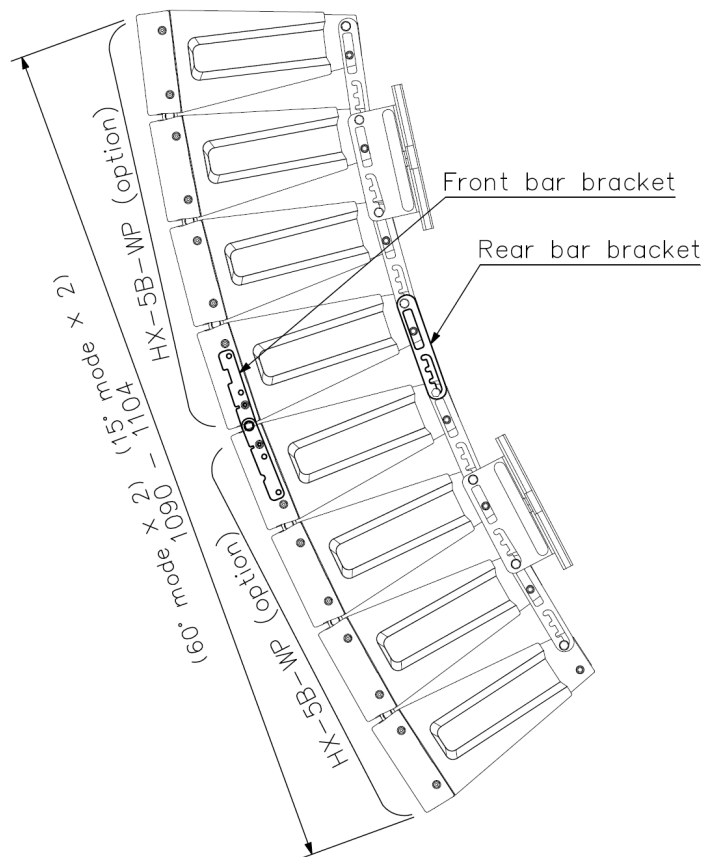
(*1) Avoid installing the speaker in locations close to the seashore or in indoor swimming facilities that are not well ventilated. In such locations, the bracket may be vulnerable to corrosion, eventually allowing the speaker to fall resulting in personal injury.

Dimensions



Notes:

1. All speaker modules must point downward from the horizontal. Failure to do so could adversely affect their intended splash-proof and weather-resistant capabilities, leading to malfunction.
2. Be sure to mount this speaker under eaves wherever possible to prevent direct exposure to rain and wind. Failure to follow this instruction could cause the speaker to exceed its capabilities as a splash-proof speaker, potentially leading to malfunction.



Speaker mounting example

UNIT: mm