

HX-7W

SPEAKER SYSTEM



The HX-7W is a 2-way compact speaker system that permits both constant directivity control over a wide frequency range and changes in vertical directivity. Its adopted wave front control technology is ideal for reproducing clear sound in spaces with long reverberation times or high background noise. The HX-7W is designed for indoor use.

Key features

- High power handling
- Speaker design consists of four integrated modules that can be adjusted individually to optimize the vertical dispersion angle
- Built-in isophasic wavefront control horn with compression driver ensures precise HF control and superior reproduction of HF sounds
- 0° mode facilitates the most effective line array set-up
- Easily adjustable vertical dispersion angle

Specifications

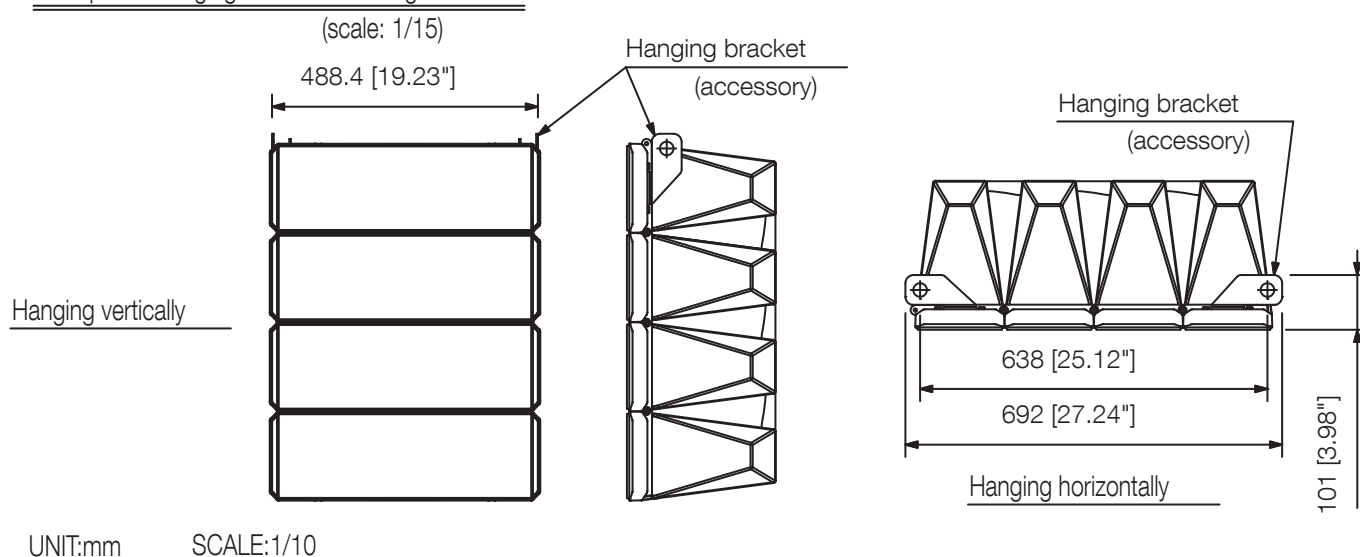
Enclosure	Bass-reflex type
Power Handling	Continuous pink noise: 250 W (IEC60268-5: 350 W) Continuous program: 750 W
Rated Impedance	8 Ω
Sensitivity	100 dB (1 W, 1 m)
Frequency Response	75 Hz – 20 kHz
Crossover Frequency	1.7 kHz
Directivity Angle	Horizontal: 100° Vertical : Depending on directivity angle mode
Speaker Component	Low frequency: 13 cm (5.5) cone-type x 8" High frequency: Wave front control horn with compression driver x 4
Input Terminal	Speakon NL4MPXX x 2 and M4 screw terminal, distance between barriers: 9 mm (0.35")
Finish	Enclosure: Polypropylene, white Punched net: Surface-treated steel plate, white, paint Hanging bracket: Steel plate, t3.0, white, paint
Dimensions	497 (W) x 664 (H) x 274 (D) mm (19.57" x 26.14" x 10.79")
Weight	30 kg (66.14 lb)
Included Accessories	Hanging bracket L, R (L and R are symmetrical to each other.) x 1 each, Hanging bracket mounting bolt x 4

(*1) When mounting the MT-200 Matching Transformer to the speaker, an optional HY-MT7 Matching Transformer Adapter is required.

(*2) HY-VM7B Speaker Mounting Bracket is separately required.

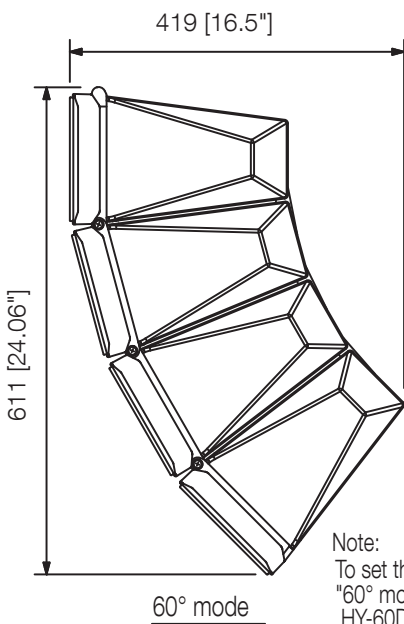
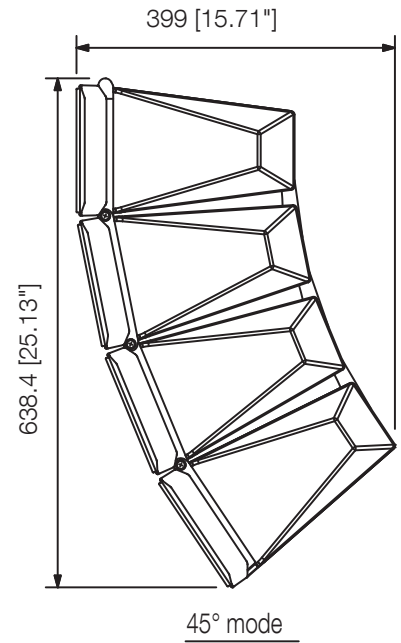
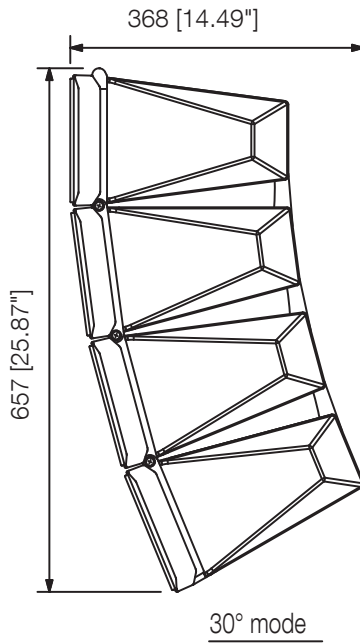
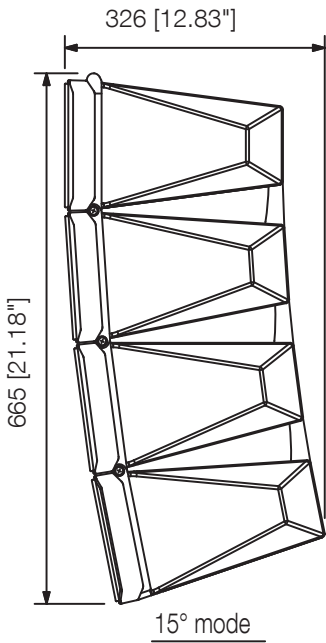
Dimensions

Example for hanging bracket mounting

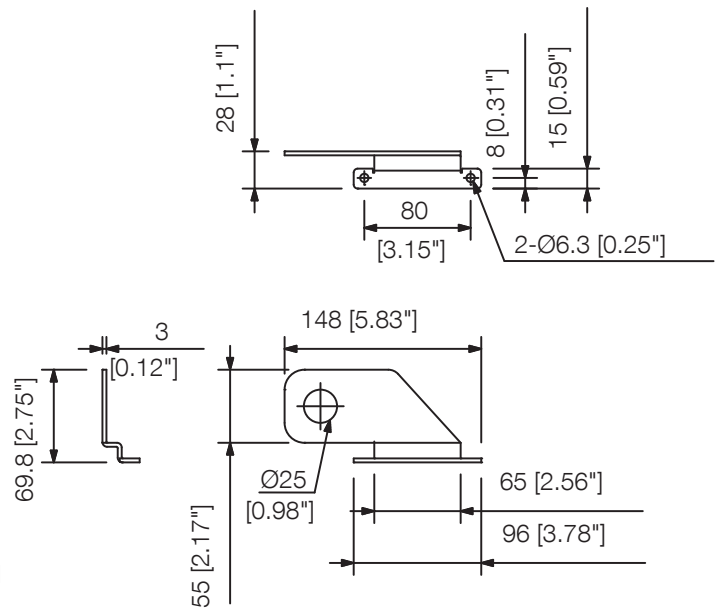


Dimensions

Example for directivity angle modes



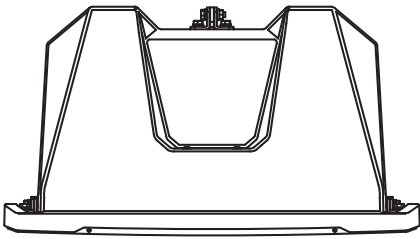
Note:
To set the speaker angle mode to "60° mode," 3 pieces of the optional HY-60DW Speaker Angle Brackets are required.



Enlarged figure for the hanging bracket (accessory)
(scale: 1/6)

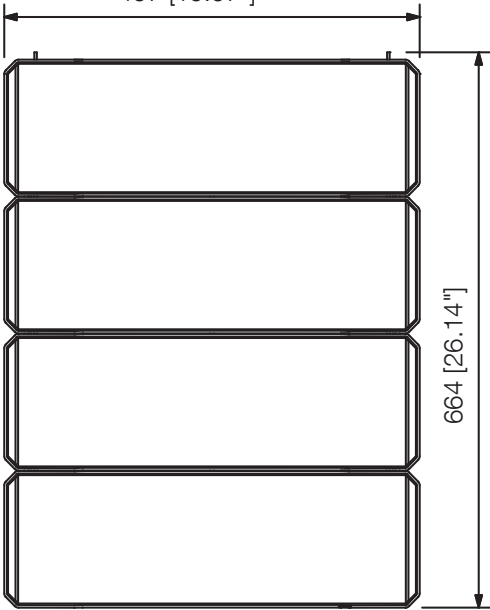
Dimensions

(Factory-preset: 0° mode)



Top View

497 [19.57"]



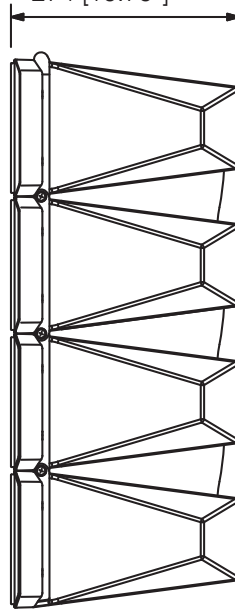
Front View

SCALE:1/10

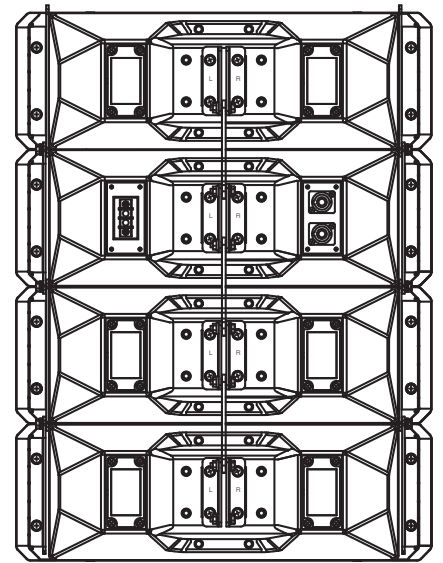
UNIT:mm

664 [26.14"]

274 [10.79"]



Side View



Rear View

A&E specifications

The speaker shall consist of 4 individual boxes or “cells” made of poly-resin material and each measuring 497 mm W x 166 mm H x 274 mm D (19.57” W x 6.5” H x 10.79” D). Each cell shall have a complement of 2 x 5.5” low-frequency speakers symmetrically positioned on either side of the front baffle and each shall be flanked by bass reflex ports at the outside edge. Between the low-frequency speakers shall be a multi-slotted, high-frequency wave-guide manifold, which shall be rear-loaded with a 1” high-frequency compression driver. There shall be a steel perforated grille mounted to the front baffle of each cell, which may be removed if necessary. The four cells shall be vertically arranged one on top of another and shall be both mechanically and electronically inter-connected to operate as a single input unit. Connection shall be by way of both dual 2-way Speakon™ & parallel screw terminal connections on the middle cell’s rear panel. There shall be an internal crossover network dividing the input signal at a frequency of 1.7 kHz to the set of low frequency and hi-frequency drivers. The cells shall be mechanically integrated by metal pivot joints on either side of and vertically in-between their front baffles and also by an adjustable multi-segment steel spine running down the back of the set. It shall be possible to adjust the vertical angle between each cell in 15 degree increments to provide a coverage angle of between 0 degrees vertically to 45 degrees vertically by changing the position of these joints. It shall also be possible to extend the angle to 60 degrees with an optional extender bracket. The horizontal angle shall be fixed at 100 degrees. The speaker shall be capable of true line array-type projection with consistent front-back room coverage. Each unit shall deliver a sound pressure of 100 dB with 1W of input measured at 1m distance and be capable of maximum power handling up to 750 watts continuous program with a rated impedance of 8 Ohms.

The frequency response of the speaker shall be 75 Hz–20 kHz. Overall speakers dimension shall be 497 mm W x 664 mm H x 274 mm D (19.57” W x 26.14” H x 10.79” D) and the weight shall be 30 kg (66 lbs). The speaker shall be called the HX-7B (Black) or HX-7W (White).

There shall be several hardware and mounting options for this speaker system:

- HY-CN7B / HY-CN7W: Connection brackets for linking multiple HX-7 units in vertical configuration.
- HY-60DB/DW: Angle adjustment bracket set (3 pairs) for extending vertical angle to 60°.
- HY-PF7B / HY-PF7W: Rigging frame with multiple fly points for vertical suspension of one or two HX-7s and optional placement of FB-150 subwoofer.
- HY-VM7B / HY-VM7W: Rigging bracket for wall or ceiling installation with vertical tilt adjustment (0 - 25°).
- HY-WM7B / HY-WM7W: Wall-mount bracket with 180° horizontal pivot.
- HY-ST7: Speaker stand bracket with vertical tilt adjustment.
- HY-TM7B / HY-TM7W: Top-mount rigging brackets with 3-point T-bar for flying or using additional mounting options.
- HY-C0801 / HY-C0801W: Ceiling-mount bracket with 360° horizontal pivot adjustment.
- MT-200: Optional 70V transformer kit with power taps at 30W, 60W, 100W, and 200W.
- HY-MT7: Transformer mounting bracket for attaching MT-200 to the speaker rear panel.