

## F-1522SC

### PANEL CONE SPEAKER



The F-1522SC ceiling and wall-mounted speaker covers an extremely wide area and can be used for 25, 70 and 100 V line applications. Well-balanced sound can be heard uniformly at any location.

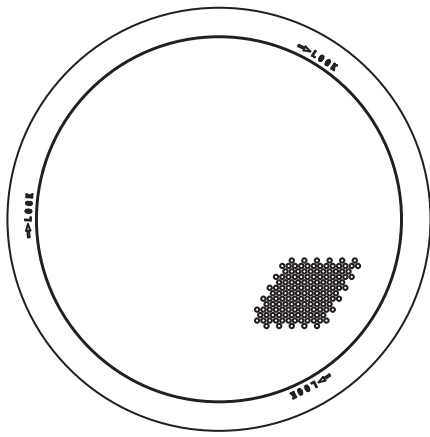
### Key features

- 4" full-range driver
- Flat front panel
- 117 mm mounting depth
- Easy installation
- Input selector switch permits easy verification and change of current impedance settings, even after installation
- For medium ceiling height (2 to 4 m)
- Especially for low profile ceilings with limited depth and applications with lower power requirement

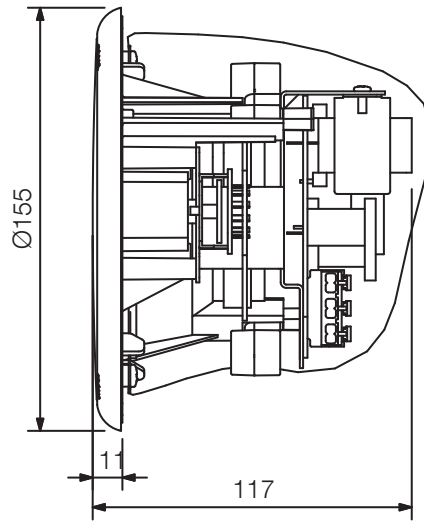
## Specifications

Rated Input	6 W (High Impedance)
Power Handling	Continuous pink noise: 9 W (8 Ω) Continuous program: 18 W (8 Ω)
Impedance	100 V line: 1.7 kΩ (6 W), 3.3 kΩ (3 W) 70 V line: 830 Ω (6 W), 1.7 kΩ (3 W), 3.3 kΩ (1.5 W) 25 V line: 830 Ω (0.75 W), 1.7 kΩ (0.4 W), 3.3 kΩ (0.2 W) 8 Ω
Sensitivity	88 dB (1 W, 1 m)
Frequency Response	65 Hz - 18 kHz (-10 dB), 45 Hz - 20 kHz (-20 dB) at installation in 1/2 free sound field (Measured by installing the unit in the center of a ceiling.)
Speaker Component	10 cm cone-type
Mounting Hole	Ø135 mm (Maximum ceiling thickness: 37 mm)
Input Terminal	Push-in connector (Bridging terminal-2 branch type)
Cable Requirements	600 V Vinyl-insulated cable (IV wire or HIV wire) Solid copper wire: Ø0.8 - Ø1.6 mm (equivalent to AWG No. 20 - 15) 7-core twisted copper wire: 0.75 - 1.25 mm <sup>2</sup> (equivalent to AWG No. 18 - 17)
Finish	Baffle: Fire-resistant ABS resin (resin material grade: UL-94 V-0), black Rim: Fire-resistant ABS resin (resin material grade: UL-94 V-0), white, paint Punched net: Steel plate, white, paint Dust-proof bag: Artificial fiber, black
Dimensions	Ø155 x 117 (D) mm
Weight	1 kg (including panel)
Included Accessories	Panel ...1, Paper pattern ...1
Optional Accessories	Reinforcement ring: HY-RR1

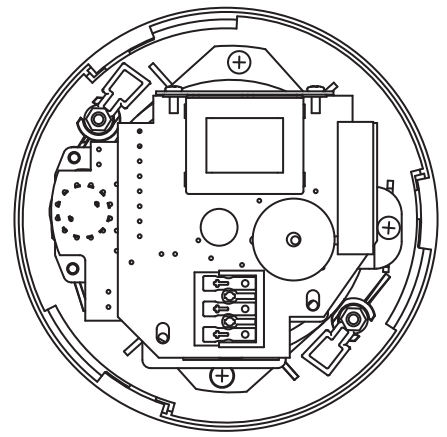
## Dimensions



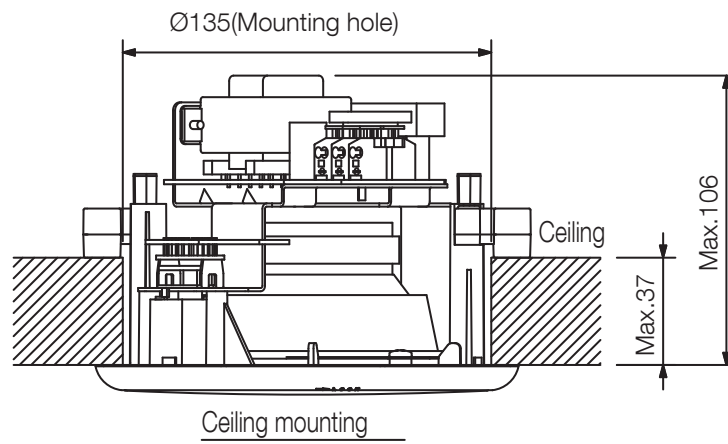
Front View



Side View



Rear View



Ceiling mounting

UNIT:mm

SCALE:1/3

## A&E specifications

The overhead music/paging speaker shall be a full-range bass-reflex enclosure type suitable for ceiling mounting, incorporating a 3.94" (12 cm) cone-type speaker.

The speaker shall be compatible with low and high impedance speaker systems and include a built-in 25/70.7/100 V matching transformer. The front baffle shall have screwdriver-adjustable tap settings of: 6 W, 3 W, and 1.5 W for 70.7 V operation; 0.75 W, 0.4 W, and 0.2 W for 25 V operation; and 6 W and 3 W for 100 V operation; plus settings for 16 ohm and direct 8 ohm operation. The output sound pressure level at a distance of 1 m with 1 W of input power applied shall be 88 dB SPL. The rated power handling (Continuous Program) shall be 18 W at 8 ohms, 12 W at 16 ohms, and 6 W when used with a 70.7, or 100 V line system. The speaker shall have a frequency response range from 65 to 18k Hz. Speaker directivity shall be less than  $Q = 8$  for all ISO 1/3-octave bands up to 4k Hz when measured in a half-space anechoic environment using 1/3-octave band-limited pink noise. The speaker baffle shall be made of fire-resistant ABS resin. The grille shall be white painted steel plate with fire-resistant ABS resin trim and shall be field re-paintable. Instructions for re-painting the grille shall be included in the speaker package. The speaker shall be equipped with a spring-loaded push-in connector having two input terminals and two bridging pass-through terminals.

The speaker shall be no greater than 6.13" outside diameter, shall require a circular cutout no greater than 5.31", and shall be capable of mounting in surfaces up to 1.46" thick. The rear of the speaker shall extend no more than 4.25" above the mounting plane. The speaker shall weigh no more than 2.2 lbs.

The overhead music/paging speaker shall be TOA model F-1522SC.

The ceiling reinforcement ring for drop ceiling installation shall be TOA model HY-RR1.