

ER-2215W

15W SHOULDER MEGAPHONE,WHISTLE SIG.



The ER-2215W is a shoulder megaphone rated at 15 W of output. The ER-2215W comes with a whistle and has a separate microphone. It can be mounted to the optional ST-16A speaker stand. The newly developed polyimide diaphragm is employed to ensure high sound quality.

Key features

- Compact megaphone with shoulder strap and instant-on amplifier
- High audible range
- Handheld microphone
- Howl-free unidirectional dynamic microphone with press-to-talk switch
- Improved endurance

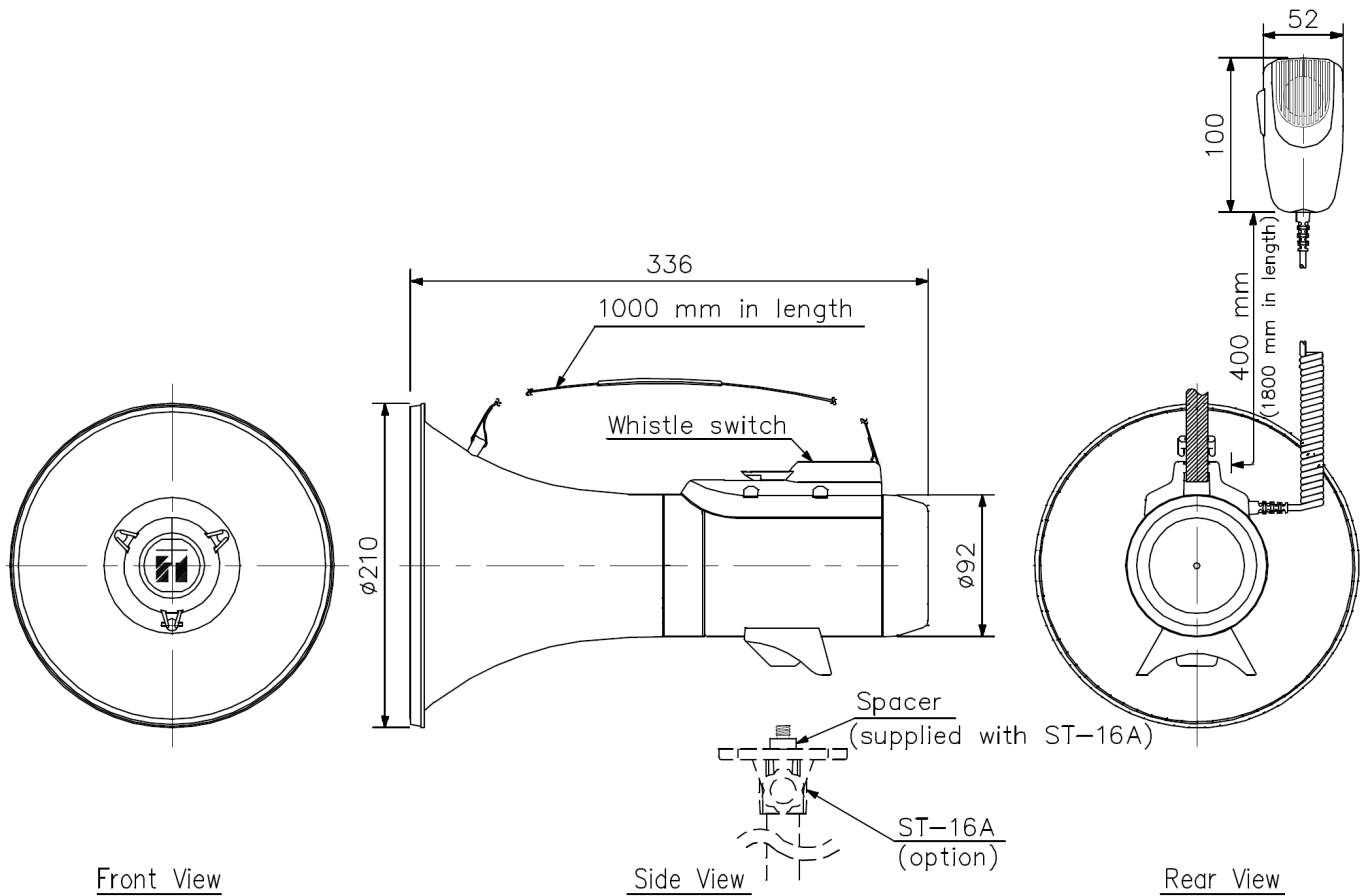
Specifications

| | |
|-----------------------|---|
| Power Source | R14P (C) x 6 (9 V DC) |
| Rated Output | 15 W |
| Maximum Output | 23 W |
| Signal Sound | Whistle (1.6 to 2.4 kHz) |
| Battery Life | Voice: Approx. 9 hours (JEITA)*, Whistle: Approx. 20 minutes (JEITA)* |
| Audible Range | Voice: Approx. 400 m (JEITA)* Whistle: Approx. 500 m (JEITA)* |
| Diaphragm | Polyimide film (voice coil, bobbin) |
| Operating Temperature | -10 °C to +40 °C |
| Finish | Horn: ABS resin, light gray Microphone and other: ABS resin, gray Strap: Nylon, black |
| Dimensions | Ø210 x 336 mm |
| Weight | Body: 1.2 kg (without microphone and batteries) Microphone: 150 g |
| Optional Accessories | Speaker stand: ST-16A |

Note: Batteries are optional.

* JEITA: Japan electronics and information technology industries association. (EIAJ TT-4501A)

Dimensions



Front View

Side View

Rear View

<Note on the audible range and battery life>

1. The indications of the audible range and battery life are based on the JEITA Standard*.
2. Audible Range presumes that the megaphone employs new batteries and is used on a quiet street.
It varies depending on such conditions as battery consumption, ambient noise, wind direction and obstacles.
3. Battery Life assumes that megaphone is used for 30 minutes a day.

UNIT:mm