

RCF S.p.A. thanks you for purchasing this product, which has been designed to guarantee reliability and high performance.

IMPORTANT NOTES

- This manual contains important information about the correct and safe use of the device.
- Before connecting and using this product, please read this instruction manual carefully and keep it on hand for future reference.
- The manual has to be considered an integral part of this product and must accompany it when it changes ownership as a reference for correct installation and use as well as for the safety precautions.
- RCF S.p.A. will not assume any responsibility for the incorrect installation and / or use of this product.
- This product is intended for installation by professional installers only.
- This document is intended to provide professional installers with basic installation and safety guidelines for this product in typical fixed-installation systems.
- This product does NOT include the wall mounting electrical box and installation screws.
- Use a commercially available in-wall mounting electrical box and installation screws suitable for the specific wall material and installation situation.

SAFETY PRECAUTIONS

All the precautions, in particular the safety ones, must be read with special attention, as they provide important information.

1. Make sure all connections have been made correctly.
2. Make sure that no objects or liquids can get into this product, as this may cause a short circuit.
3. Do not attempt to carry out any operations, modifications or repairs that are not expressly described in this guide.
4. Contact your authorized service centre or qualified personnel should any of the following occur: the device does not function (or works in an anomalous way); the cable has been damaged; objects or liquids are inside the device; the device has been damaged due to heavy impacts or fire.
5. Do not connect this product to any equipment or accessories not foreseen.
6. RCF S.P.A. strongly recommends this product is only installed by professional qualified installers (or specialised firms) who can ensure a correct installation and certify it according to the regulations in force.
7. The entire audio system must comply with the current standards and regulations regarding electrical systems.
8. Install this device far from any heat source.
9. Do not use solvents, alcohol, benzene or other volatile substances for cleaning the external parts of this product. Use a dry cloth.

WARNING! CAUTION! To prevent the risk of fire or electric shock, never expose this product to rain or humidity.

WARNING! to reduce the risk of electric shock, do not disassemble this product unless you are qualified. Refer servicing to qualified service personnel.

CORRECT DISPOSAL

This product should be handed over to an authorized collection site for recycling waste electrical and electronic equipment (EEE). Improper handling of this type of waste could have a possible negative impact on the environment and human health due to potentially hazardous substances that are generally associated with EEE. At the same time, your cooperation in the correct disposal of this product will contribute to the effective usage of natural resources. For more information about where you can drop off your waste equipment for recycling, please contact your local city office, waste authority or your household waste disposal service.

FCC NOTES

FC INFORMATION TO THE USER. This device complies with part 15 of the FCC Rules. Operation is subject to the following two conditions: (1) This device may not cause harmful interference, and (2) this device must accept any interference received, including interference that may cause undesired operation. This equipment has been tested and found to comply with the limits for a Class B digital device, pursuant to part 15 of the FCC Rules. These limits are designed to provide reasonable protection against harmful interference when the equipment is operated in a residential installation. This equipment generates, uses, and can radiate radio frequency energy and, if not installed and used in accordance with the instruction manual, may cause harmful interference to radio communications. However, there is no guarantee that interference will not occur in a particular installation. Changes or modifications to this equipment not expressly approved by RCF S.p.A. for compliance could void the user's authority to operate this equipment.

INFORMATION À L'UTILISATEUR. CAN ICES-003 (B)/NMB-003(B) Cet appareil est conforme à la partie 15 de la réglementation de la FCC.

Son fonctionnement repose sur les deux conditions suivantes : (1) cet appareil ne doit pas provoquer d'interférences et (2) cet appareil doit tolérer les interférences externes, y compris celles qui peuvent provoquer un fonctionnement anormal.

Ce matériel a fait l'objet de tests prouvant sa conformité aux limites imposées aux appareils numériques de classe B, conformément à la partie 15 des réglementations de la FCC. Ces limites sont conçues pour fournir une protection raisonnable contre les interférences nuisibles lorsque l'équipement est utilisé dans une installation résidentielle. Cet équipement génère, utilise et peut émettre de l'énergie de radiofréquence et, s'il n'est pas installé et utilisé conformément au manuel d'instructions, peut causer des interférences nuisibles aux communications radio. Cependant, il n'y a aucune garantie que des interférences ne se produiront pas dans une installation particulière.

Toute modification non autorisée expressément par RCF S.p.A. est susceptible d'annuler le droit de l'utilisateur à utiliser cet appareil.

FEATURES

RC KPS is a wall-mounted control unit that allows to operate KPS series amplifiers by adjusting zones volume and selecting the corresponding sources. The user interface consists of a practical rotary knob and a 1.1" color display with a resolution of 240x240 pixels. The color scheme can be changed to perfectly match the installation setting. Configuration is very simple and intuitive, and is carried out via the RDSpace software. Each device can manage any zone of a KPS amplifier, and up to 8 control units can be connected to the same unit, while power is supplied via PoE.

CONFIGURATION

For device setup and configuration refer to RC KPS user manual that can be downloaded from RCF S.p.A. web site (www.rcf.it).

PRODUCT COMPATIBILITY. RC KPS devices are compatible with RCF KPS amplifiers only, equipped with firmware version 1.3.0 or later.

TECHNICAL SPECIFICATION

INPUT RATING

Connector: RJ45
Cables: Category 5e or faster STP cables
PoE Class I device, 48V

POWER CONSUMPTION

4Wmax

DIMENSIONS (H X W X D)

EU: 86,79mm x 86,79mm x 42,8mm
US: 115,1mm x 70,6mm x 42,8mm (4,53in x 2,78in x 1,68in)

WEIGHT

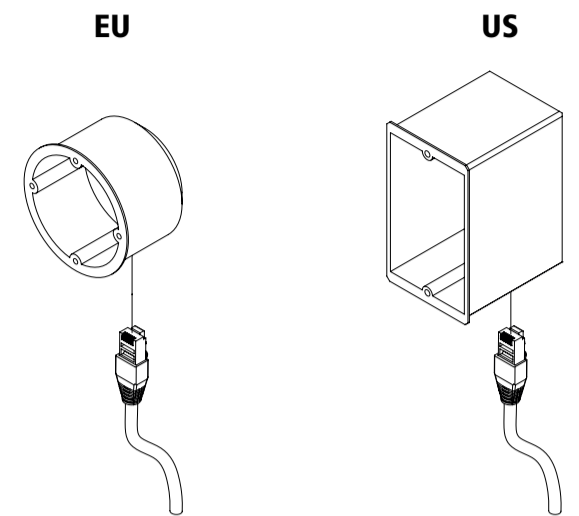
EU: 120g / US: 120g (4.23oz.)

OPERATING TEMPERATURE

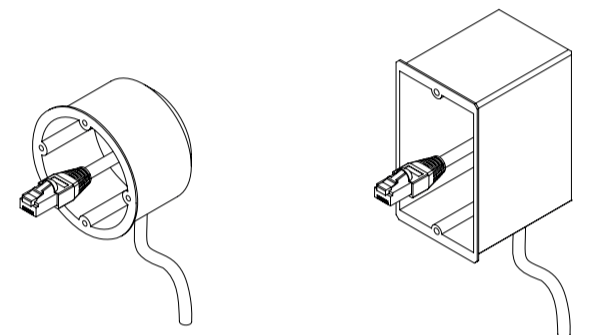
0-40°C (32-104°F)

MOUNTING INSTRUCTIONS

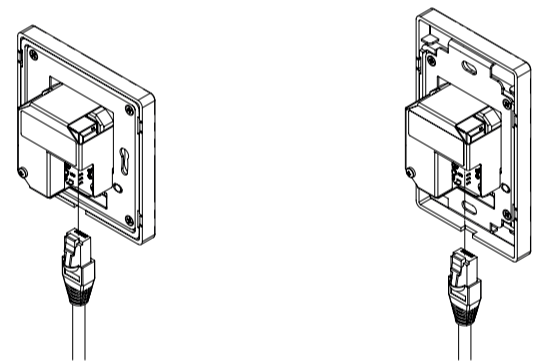
1. Feed the ethernet cable through the electrical box.



2. Mount the electrical box into the wall



3. Connect the ethernet cable to the RC KPS device.



4. Click off the front panel. Screw the device into the electrical box.
5. Put the front panel on - and click it into place.

