



V-BR ART 915

VERTICAL MOUNT BRACKET



Description

V-BR Vertical Mount Bracket for ART9 Series 15" models. It features robust brackets and hardware to mount the speaker system to a wall, ceiling, or truss in vertical configuration. Adjustable inclination allows obtaining the desired sound coverage.

Standard compliance

Safety agency

CE compliant

Size / Weight

Weight

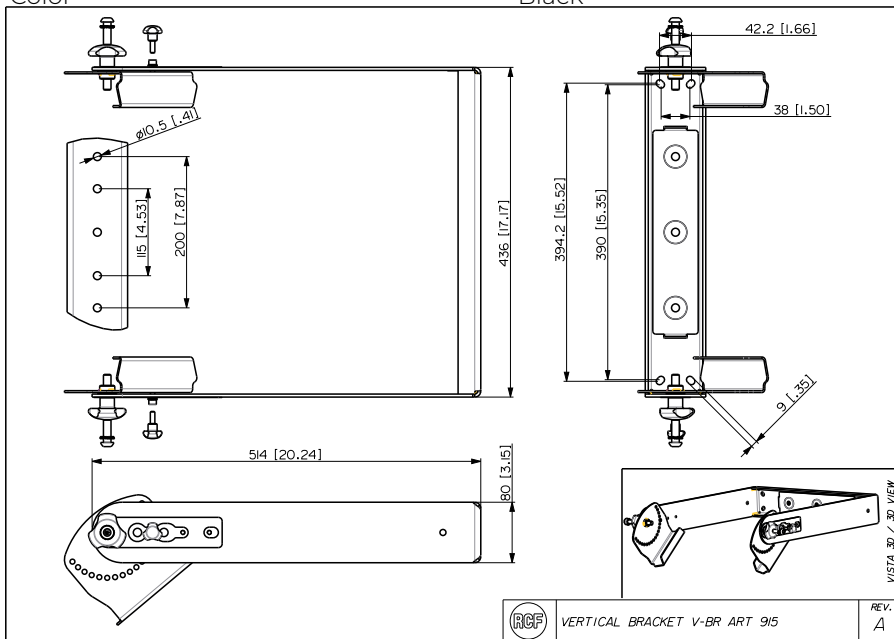
5.6 kg / 12.35 lbs

Physical specifications

Color

Black

Line Art 2D



Part Number

13360480 V-BR ART 915

Black

EAN 8024530019181

Technical Specifications

Products are continually improved. All specifications are therefore subject to change without notice.