



# PM-KIT 3X HDL 6

POLE MOUNT KIT



**Description** Pole mount kit for 3 HDL 6-A or 3 HDL 26-A or 3 HL 6. Pins included. + Stacking Bar

**Standard compliance**

Safety agency

CE compliant

**Size / Weight**

Weight

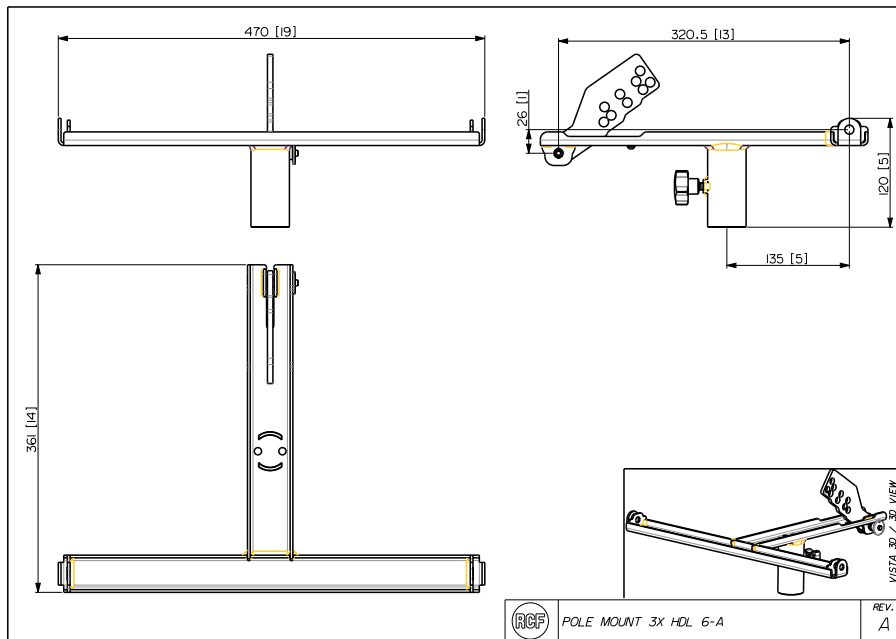
1.6 kg / 3.53 lbs

**Physical specifications**

Color

Black

Line Art 2D



**Part Number**

13360377 PM-KIT 3X HDL 6

Black

EAN 8024530014629

**Technical Specifications**

Products are continually improved. All specifications are therefore subject to change without notice.