



NX 945-A

PROFESSIONAL ACTIVE SPEAKER



Description

NX 945-A is masterfully engineered from the ground up to deliver stellar audio performance for sound providers, small bands and DJs. The combination of a 4" titanium/neodymium compression driver, 15" neodymium woofer - two-channel 2,100W amplifier, and the constant directivity True Resistive Waveguide produces coherent 100° x 70° coverage for the listening area with up to 135 dB SPL, distortion-free sound. Used as a stand-alone speaker for a FOH system, satellite (with subwoofer), stage monitor, or flown speaker, the NX 945-A blends high performance and reliability in a compact package. Merging RCF proprietary FIRPHASE and Bass Motion Control DSP processing, perfectly tuned for each model, the audience will experience absolute sound clarity and deep, powerful bass response. The tour-ready, rugged all-wood cabinet is easy to carry and secure to install on a pole-, flown-, wall-, or truss-mounted using the dedicated rigging points available.

Features

- › Up to 135 dB Sound Pressure Level
- › 2100W Class-D Bi-Amplification
- › 45-20000 Hz linear frequency response
- › 4" Titanium/Neodymium Compression Driver
- › 15" neodymium Woofer
- › FIRPHASE zero degrees phase technology
- › Bass Motion Control woofer excursion management
- › Six M10 and four Quick Lock rigging points

Part Number

13000768 NX 945-A	220-240 V	Black	EAN 8024530021122
13000769 NX 945-A	100-120 V	Black	EAN 8024530021665
13000875 NX 945-A W	100-120 V	White	EAN 8024530021887
13000876 NX 945-A W	220-240 V	White	EAN 8024530022037



NX 945-A

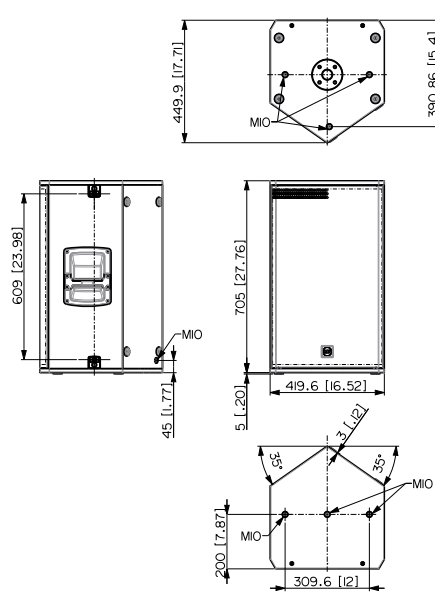
PROFESSIONAL ACTIVE SPEAKER

Line Art 2D



NX 945-A

PROFESSIONAL ACTIVE SPEAKER



TECHNICAL SPECIFICATIONS

Acoustical specifications	Frequency Response	45 Hz - 20000 Hz
	Max SPL @ 1m	135 dB
	Horizontal coverage angle	100°
	Vertical coverage angle	70°
Transducers	Compression Driver	1 x 1.4" neo, 4.0" v.c
	Woofer	15" neo, 3.5" v.c
Input/Output section	Input signal	bal/unbal
	Input connectors	Combo XLR/Jack
	Output connectors	XLR
	Input sensitivity	-2 dBu/+4 dBu
Processor section	Crossover Frequencies	650Hz
	Protections	Thermal, RMS
	Limiter	Soft Limiter
	Controls	Linear, Boost, Stage, Volume
Power section	Total Power	2100 W Peak
	High frequencies	700 W Peak
	Low frequencies	1400 W Peak
	Cooling	Convection
	Connections	Powercon TRUE1 TOP IN/OUT
	Standard compliance	Safety agency



NX 945-A

PROFESSIONAL ACTIVE SPEAKER

Physical specifications	Cabinet/Case Material	Plywood		
	Hardware	2 x M10 Top, 1 x M10 each side, 1 x M10 bottom, 1 x M10 rear 2 each side quick lock pin seat		
	Handles	1 x Side		
	Pole mount/Cap	35 mm insert		
	Grille	Steel		
	Color	Black, White		
	Size / Weight	Height	705 mm / 27.76 inches	
Width		420 mm / 16.54 inches		
Depth		451 mm / 17.76 inches		
Weight		27.3 kg / 60.19 lbs		
Rigging / Mounting	ACCESSORIES			
	FLOOR STANDS			
	13360109	AC PRO-FS	Black EAN 8024530006471	
	FLYING BRACKETS			
	13360031	AC EB 4X	EAN 8024530018870	
	HORIZONTAL BRACKETS			
	13360506	2X PLATE H-BR NX 910-912-915	Black EAN 8024530020057	
	13360687	HBR60687	White EAN 8024530023874	
	13360706	HBR60706	Black - RAL 9005 EAN 8024530023119	
	13360702	PLT60702	Black EAN 8024530023089	
	POLE MOUNT KITS			
	13360110	AC PRO-PM	Black EAN 8024530006488	
	VERTICAL BRACKETS			
	13360707	VBR60707	Black EAN 8024530023126	
	WALL MOUNT BRACKETS			
	13360539	WM-BR 001	Black - RAL 9005 EAN 8024530021344	
	Protections	BAGS, COVERS		
		13360753	CVR60753	Black EAN 8024530024093
		RAIN PROTECTIONS		
	13360700	RPR60700	Black - RAL 9005 EAN 8024530023072	