



NX 932-A

PROFESSIONAL ACTIVE SPEAKER



Description NX 932-A is masterfully engineered from the ground up to deliver stellar audio performance for sound providers, small bands and DJs. The combination of a 3" titanium/neodymium compression driver, 12" woofer - two-channel 2,100W amplifier, and the constant directivity True Resistive Waveguide produces coherent 100° x 70° coverage for the listening area with up to 132 dB SPL, distortion-free sound. Used as a stand-alone speaker for a FOH system, satellite (with subwoofer), stage monitor, or flown speaker, the NX 932-A blends high performance and reliability in a compact package. Merging RCF proprietary FIRPHASE and Bass Motion Control DSP processing, perfectly tuned for each model, the audience will experience absolute sound clarity and deep, powerful bass response. The tour-ready, rugged all-wood cabinet is easy to carry and secure to install on a pole-, flown-, wall-, or truss-mounted using the dedicated rigging points available.

- Features**
- › Up to 132 dB Sound Pressure Level
 - › 2100W Class-D Bi-Amplification
 - › 45-20000 Hz linear frequency response
 - › 3" Titanium/Neodymium Compression Driver
 - › 12" Woofer
 - › FIRPHASE zero degrees phase technology
 - › Bass Motion Control woofer excursion management
 - › Six M10 and four Quick Lock rigging points

Part Number				
13000766	NX 932-A	220-240 V	Black	EAN 8024530021115
13000767	NX 932-A	100-120 V	Black	EAN 8024530021290
13000873	NX 932-A W	100-120 V	White	EAN 8024530021870
13000874	NX 932-A W	220-240 V	White	EAN 8024530022020



NX 932-A

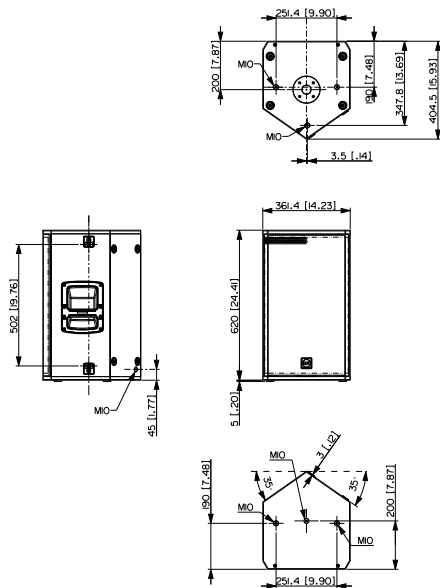
PROFESSIONAL ACTIVE SPEAKER

Line Art 2D



NX 932-A

PROFESSIONAL ACTIVE SPEAKER



TECHNICAL SPECIFICATIONS

Acoustical specifications	Frequency Response	45 Hz - 20000 Hz
	Max SPL @ 1m	132 dB
	Horizontal coverage angle	100°
	Vertical coverage angle	70°
Transducers	Compression Driver	1 x 1.4" neo, 3.0" v.c
	Woofer	1 x 12", 2.5" v.c
Input/Output section	Input signal	bal/unbal
	Input connectors	Combo XLR/Jack
	Output connectors	XLR
	Input sensitivity	-2 dBu/+4 dBu
Processor section	Crossover Frequencies	700Hz
	Protections	Thermal, RMS
	Limiter	Soft Limiter
	Controls	Linear, Boost, Stage, Volume
Power section	Total Power	2100 W Peak
	High frequencies	700 W Peak
	Low frequencies	1400 W Peak
	Cooling	Convection
	Connections	Powercon TRUE1 TOP IN/OUT
	Standard compliance	Safety agency



NX 932-A

PROFESSIONAL ACTIVE SPEAKER

Physical specifications	Cabinet/Case Material	Plywood
	Hardware	2 x M10 Top, 1 x M10 each side, 1 x M10 bottom, 1 x M10 rear 2 each side quick lock pin seat
	Handles	1 x Side
	Pole mount/Cap	35 mm insert
	Grille	Steel
	Color	Black, White
	Size / Weight	Height
	Width	362 mm / 14.25 inches
	Depth	405 mm / 15.94 inches
	Weight	22.9 kg / 50.49 lbs

ACCESSORIES

Rigging / Mounting

FLOOR STANDS

13360109	AC PRO-FS	Black	EAN 8024530006471
----------	-----------	-------	-------------------

FLYING BRACKETS

13360031	AC EB 4X		EAN 8024530018870
----------	----------	--	-------------------

HORIZONTAL BRACKETS

13360506	2X PLATE H-BR NX 910-912-915	Black	EAN 8024530020057
13360609	H-BR 003	White - RAL 9003	EAN 8024530021573
13360703	HBR60703	Black - RAL 9005	EAN 8024530023843
13360702	PLT60702	Black	EAN 8024530023089

POLE MOUNT KITS

13360110	AC PRO-PM	Black	EAN 8024530006488
13360638	PM-KIT M20	White	EAN 8024530022303
13360067	PM-KIT M20	Black	EAN 8024530014599

VERTICAL BRACKETS

13360704	VBR60704	Black	EAN 8024530023096
----------	----------	-------	-------------------

WALL MOUNT BRACKETS

13360539	WM-BR 001	Black - RAL 9005	EAN 8024530021344
----------	-----------	------------------	-------------------

Protections

BAGS, COVERS

13360754	CVR60754	Black	EAN 8024530024109
----------	----------	-------	-------------------

RAIN PROTECTIONS

13360700	RPR60700	Black - RAL 9005	EAN 8024530023072
----------	----------	------------------	-------------------