



HD 21EN

PLASTIC HORN SPEAKER



Description

HD 21EN is a plastic horn speaker suitable for broadcasting alarm messages thanks to the highly intelligible sound reproduction and its environmental resistance. The terminal connection blocks, for input and output flameproof cables, are made of ceramic material. A thermal fuse protects the integrity of the line in case of heat affecting the speaker. It can be easily aimed towards any direction through the adjustable wall-mount bracket, and thanks to its IP66 protection grade it can be installed both indoor and outdoor.

Features

- › 1.5" compression driver.
- › Power selectable (100 V): 30 W – 15 W – 7.5 W – 3.75 W.
- › 104 dB sensitivity.
- › Colour grey RAL 7035.
- › Plastic body.
- › In/out ceramic terminal block.
- › Thermal fuse protection.
- › Protection grade IP66.

Part Number

13133075 HD 21EN

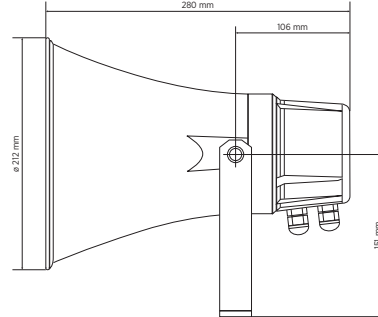
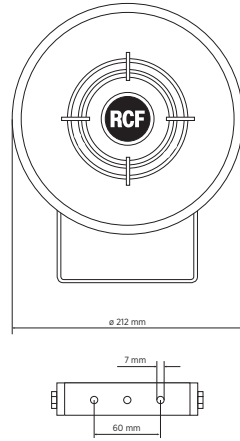
Grey - RAL 7035 EAN 8024530010461



HD 21EN

PLASTIC HORN SPEAKER

Line Art 2D



TECHNICAL SPECIFICATIONS

Acoustical specifications	Frequency Response (-10dB)	340 Hz - 9000 Hz
	Max SPL @ 1m	117 dB
	Max SPL @ 4m	105 dB
	Coverage angle	135°
	System Sensitivity	104 dB
	System Sensitivity 1W @ 4m	92 dB
Power section	Power Handling	30 W
	Peak Power Handling	120 W PEAK
	Protections	Thermal fuse
	Recommended Amplifiers	DXT 3000, DXT 4000, DXT 7000
Transducers	Compression Driver	1 x 1.5"
Input/Output section	Input connectors	Ceramic screw terminals
	Output connectors	Ceramic screw terminals
	Constant Voltage Transformer	100 V
	Power selection 1	30 W - 333 ohm
	Power selection 2	15 W - 667 ohm
	Power selection 3	7.5 W - 1333 ohm
Power selection 4	3.75 W - 2667 ohm	
Standard compliance	IP protection grade	IP 66
	Safety agency	CE compliant
	EN54-24 certified	Yes
	CPR number	1488-CPR-0652/W



HD 21EN

PLASTIC HORN SPEAKER

Physical specifications	Cabinet/Case Material	ABS
	Hardware	Stainless steel bracket
	Color	Grey - RAL 7035
Size / Weight	Height	212 mm / 8.35 inches
	Depth	280 mm / 11.02 inches
	Weight	2.1 kg / 4.63 lbs