



HDL 6-A

ACTIVE LINE ARRAY MODULE



Description

The HDL6-A is the ideal choice when line array performance is needed and a fast and easy set-up a must. A 1400 W 2-channel class-D amplifier powers the system. A powerful DSP processes the sound including crossover, phase correction, limiting and protection. The system features state-of-the-art RCF transducers – two powerful 6.0" woofers for a solid bass reproduction plus a high powered 1.7" voice coil compression driver mounted on a precise 100° x 10° waveguide delivers vocal clarity with high definition and an incredible dynamic. The HDL 12-AS is the ideal flyable bass complement for the HDL 6-A array system.

Features

- › 1400 W, two-way amplification
- › 131 dB max SPL
- › 1.7" voice coil neodymium compression driver
- › 2 x high power neodymium 6.0"woofers
- › 48 kHz, 32 bit floating point DSP processing
- › Symmetrical design
- › Extremely low weight
- › FIRPHASE processing

Part Number

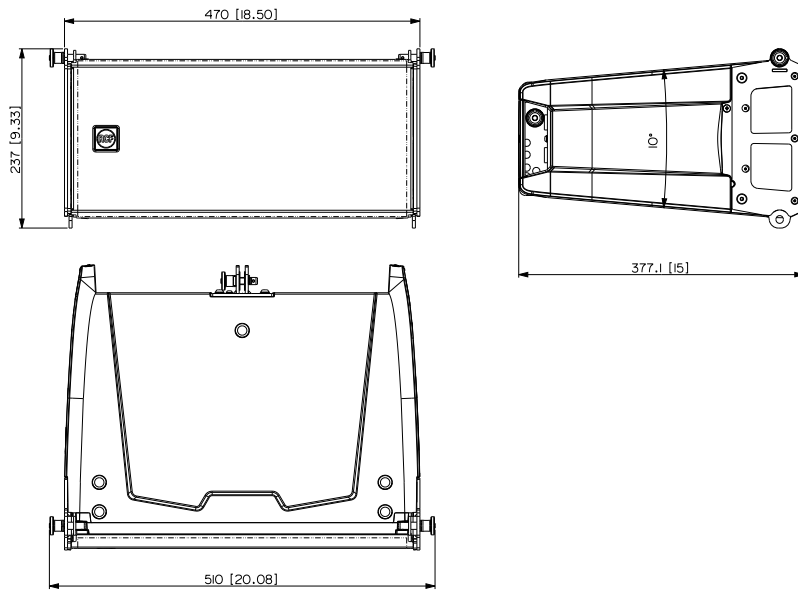
13000496	HDL 6-A	EU	220-240 V	Black	EAN 8024530014476
13000509	HDL 6-A	US	115 V	Black	EAN 8024530014483
13000514	HDL 6-A W	EU	220-240 V	White	EAN 8024530014773
13000515	HDL 6-A W	US	115 V	White	EAN 8024530014780



HDL 6-A

ACTIVE LINE ARRAY MODULE

Line Art 2D



TECHNICAL SPECIFICATIONS

Acoustical specifications	Frequency Response	65 Hz - 20000 Hz
	Max SPL @ 1m	131 dB
	Horizontal coverage angle	100°
	Vertical coverage angle	10°
Transducers	Compression Driver	1 x 1.0" neo, 1.75" v.c
	Woofer	2 x 6.0" neo, 2.0" v.c
Input/Output section	Input signal	bal/unbal
	Input connectors	XLR
	Output connectors	XLR
	Input sensitivity	+4 dBu
Processor section	Crossover Frequencies	900 Hz
	Protections	Thermal, RMS
	Limiter	Soft Limiter
	Controls	HF correction
Power section	Total Power	1400 W Peak, 700 W RMS
	High frequencies	400 W Peak, 200 W RMS
	Low frequencies	1000 W Peak, 500 W RMS
	Cooling	Convection
	Connections	Powercon IN/OUT
	Standard compliance	Safety agency



HDL 6-A

ACTIVE LINE ARRAY MODULE

Physical specifications

Cabinet/Case Material	PP Composite
Hardware	Array fittings
Handles	2 Back
Grille	Steel
Color	Black, White
Size / Weight	
Height	237 mm / 9.33 inches
Width	470 mm / 18.5 inches
Depth	377 mm / 14.84 inches
Weight	11.6 kg / 25.57 lbs

ACCESSORIES

Rigging / Mounting

AZIMUT BRACKETS

13360351	AZM-BR 2X	Black	EAN 8024530013516
----------	-----------	-------	-------------------

CLAMP BRACKETS

13360371	CL-BR HDL 6		EAN 8024530014360
----------	-------------	--	-------------------

FLY BARS

13360360	FL-B HDL 6	Black	EAN 8024530014209
----------	------------	-------	-------------------

FLY BARS PICKUP

13360372	FL-B PK HDL 6	Black	EAN 8024530014353
13360696	FLB60696	Black	EAN 8024530023027

LINK BARS

13360375	FL-B LINK HDL 6-12 2X	Black	EAN 8024530014414
----------	-----------------------	-------	-------------------

POLE MOUNT KITS

13360377	PM-KIT 3X HDL 6	Black	EAN 8024530014629
----------	-----------------	-------	-------------------

QUICK LOCK PINS

13360626	QL-PIN 008	Black	EAN 8024530020897
13360634	QL-PIN 011	Black	EAN 8024530022433

STACKING KITS

13360728	STK60728	Black	EAN 8024530024871
----------	----------	-------	-------------------

SUSPENSION CHAINS

13360129	HOIST SPACING CHAIN CH 001	Black	EAN 8024530020774
----------	----------------------------	-------	-------------------

Protections

RAIN PROTECTIONS

13360689	RPR60689	Black	EAN 8024530022914
----------	----------	-------	-------------------

Transportation

KART WITH WHEELS

13360366	KRT-WH 6X HDL 6	Black	EAN 8024530014421
----------	-----------------	-------	-------------------

Cables

CABLES KIT

13360102	AC XLR 3M3F		EAN 8024530006402
12399023	CBL LK 25 MULTIPIN 10M	Black	EAN 8024530013837
12399022	CBL LK 25 MULTIPIN 20M	Black	EAN 8024530013820
12399024	CBL LKS 19 ARRAY FANOUT	Black	EAN 8024530013905
12399026	CBL LKS 19 BREAKOUT	Black	EAN 8024530013929
12399027	CBL LKS 19 POWER 10M	Black	EAN 8024530013936



HDL 6-A

ACTIVE LINE ARRAY MODULE

Cables	13360146	CBL LKS 19 POWER 20M		EAN 8024530013943
	12399025	CBL LKS 19 SUB FANOUT	Black	EAN 8024530013912
	12399021	CBL LKS 25-2 FANOUT	Black	EAN 8024530013813
	13360145	CBL POWER BOX 6X	Black	EAN 8024530015534
	12399031	CBL POWERCON LINK 0.7M	Black	EAN 8024530013738
	12399030	CBL POWERCON LINK 1.5M	Black	EAN 8024530013721
	12399028	CBL POWERCON LINK 10M	Black	EAN 8024530013707
	12399029	CBL POWERCON LINK 5M	Black	EAN 8024530013714
	13360138	POWER CABLE X6 TTL 55-A		