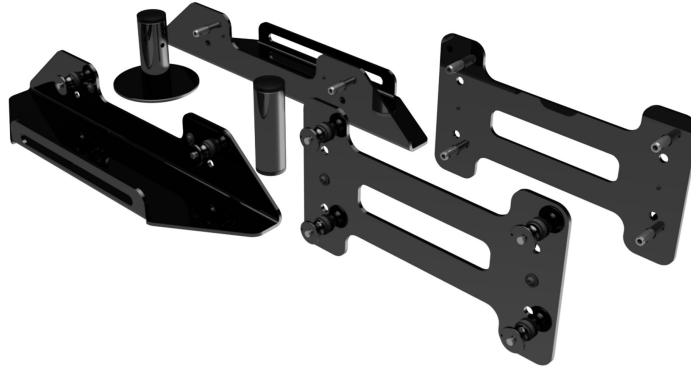




FL-B LINK NXL 44

LINK ACCESSORY



Description Accessory to link a second NXL 44-A to a flying NXL 44-A (straight or 2 angles)

Standard compliance

Safety agency

CE compliant

Size / Weight

Weight

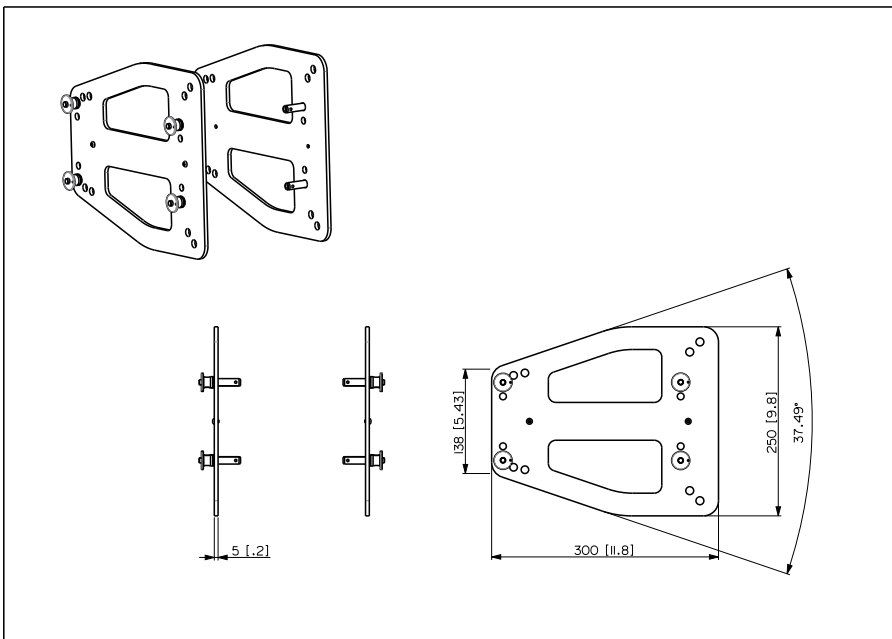
4 kg / 8.82 lbs

Physical specifications

Color

Black

Line Art 2D



Part Number

13360346 FL-B LINK NXL 44

Black

EAN 8024530013639

Technical Specifications

Products are continually improved. All specifications are therefore subject to change without notice.