



BS 8

PENDANT SPEAKER



Description The BS 8 is a spherical speaker designed for suspended installation. Ideal for covering large areas, it incorporates a 200 mm (8") loudspeaker which provides high quality sound reproduction with excellent voice intelligibility.

- Features**
- › 8" dual cone wide band woofer
 - › Power selectable (100 V): 20 W – 10 W – 5 W
 - › 93 dB sensitivity
 - › Colour white RAL 9010
 - › 5 m suspension and connection cable included

Part Number 13133054 - BS 8

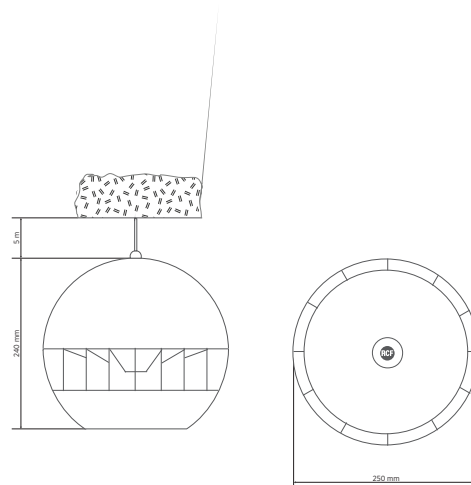
White - RAL 9010 EAN 8024530005733



BS 8

PENDANT SPEAKER

Line Art 2D



TECHNICAL SPECIFICATIONS

Acoustical specifications	Frequency Response (-10dB)	160 Hz - 12500 Hz
	Max SPL @ 1m	106 dB
	Horizontal coverage angle	360°
	System Sensitivity	93 dB
Power section	Power Handling	20 W
	Peak Power Handling	80 W PEAK
Transducers	Woofer	1 x 8"
Input/Output section	Input connectors	Cable
	Output connectors	Cable
	Constant Voltage Transformer	100 V
	Power selection 1	20 W - 500 ohm
	Power selection 2	10 W - 1000 ohm
	Power selection 3	5 W - 2000 ohm
Standard compliance	Safety agency	CE compliant
Physical specifications	Cabinet/Case Material	Plastic
	Hardware	Carabiner and safety steel wire
	Grille	Plastic
	Color	White - RAL 9010
	Size / Weight	Height
Diameter		250 mm / 9.84 inches
Weight		2.3 kg / 5.07 lbs