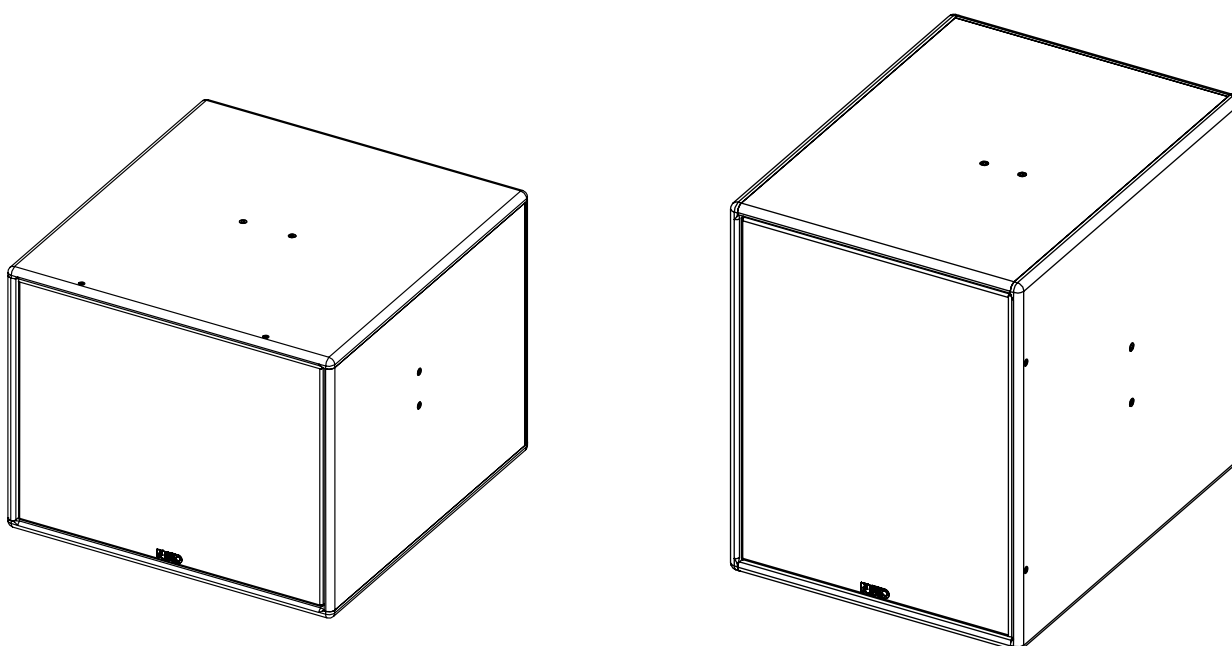


## eLS600



User manual



**TABLE OF CONTENTS**

TABLE OF CONTENTS \_\_\_\_\_ 2

WARNINGS \_\_\_\_\_ 3

EQUIPMENT \_\_\_\_\_ 4

DESCRIPTION \_\_\_\_\_ 5

PRESET \_\_\_\_\_ 6

ACCESSORIES \_\_\_\_\_ 7

ARRAY EQ \_\_\_\_\_ 9

MAINTENANCE \_\_\_\_\_ 10

TECHNICAL SPECIFICATIONS \_\_\_\_\_ 12

USER NOTES \_\_\_\_\_ 13

EU Conformity declaration	
	We, <b>NEXO SA</b> <b>ZA DU PRE DE LA DAME JEANNE</b> <b>60128 PLAILLY – France</b>
Declare under our sole responsibility that the product	<b>Loudspeaker</b>
Type	<b>eLS600</b>
Serial number	<b>On the product</b>
Is in conformity with the provisions of the following directive including all applicable amendments:	<b>2014/35/UE (Low Voltage Directive)</b>
Applied rules and standards:	<b>EN 13155, EN 62368</b>
Plailly, October, 2021	<b>Joseph CARCOPINO, R&amp;D Director</b>
	

**WARNINGS**

**PRECAUTIONS**

Do not open the speaker, do not try to disassemble it neither to modify it in any way. The system doesn't include any user-repairable part.

If the system seems to be malfunctioning or damaged, stop using it at once and have it repaired by a NEXO qualified technician.

Do not expose the system directly to the sun or to the rain, do not immerse it into fluids, do not place objects filled with liquid on the system. If a liquid gets into the system, please have it inspected by a NEXO qualified technician.

The connection should be performed by qualified technician, by ensuring that power is off.

Operating temperature with temperate climate: 0°C to +40°C (+32°F to +104); -20°C à +60°C (-4°F to +140°F) for storage.

**SAFETY INFORMATIONS**

Read this manual before using the speaker.

Keep this manual available for further reference.

Observe all warnings and cautions.

Please check the NEXO Web site [nexo-sa.com](http://nexo-sa.com) to get the most up-to-date version of this manual.

Ensure you are aware of the safety rules applying to rigging, stacking or installing on tripod or speaker stand. Failure to observe these rules may expose persons to potential wounds or even death.

Only use the system with accessories specified by NEXO.

Please always consult a NEXO-accredited technician if the installation needs architectural works and observe following precautions:

**Mounting Precautions:**

- Please select screws and mounting location supporting 4 times the system weight.
- Do not expose the system to excessive dust, vibrations, to extreme cold or hot temperatures, to reduce the risk of damaging components.
- Do not place the system in an unstable position: it could fall accidentally.
- If the system is used on a tripod, please ensure the tripod's specifications are adapted and that its height does not exceed 1.40m/55". Do not move the tripod with the system in position.

**Connection and Powering Precautions:**

- Unplug connected cables before moving the system.
- Power off the system before connecting the system.
- When switching on the installation, the amplifier must be powered last; when switching the installation off, shut off the amplifier first.
- If you work by cold temperatures, progressively raise the level to nominal value during the first minutes of use, to allow the system components to stabilize.

**Please check regularly the system condition.**

**HIGH SOUND PRESSURE LEVELS**

Exposure to very high sound pressure levels may cause permanent hearing losses. Degrees of hearing losses may be different from one person to another, but almost everybody will be affected if exposed to high sound pressure levels during a long period of time. The OSHA (Occupational Safety and Health Administration) American Agency specified the following maximal exposures:

Number of Hours	Sound Pressure Level (dBA), Slow Response
8	90
6	92
4	95
3	97
2	100
1 ½	102
1	105
½	110
¼ or less	115

**WASTE OF ELECTRIC OR ELECTRONIC EQUIPMENT**

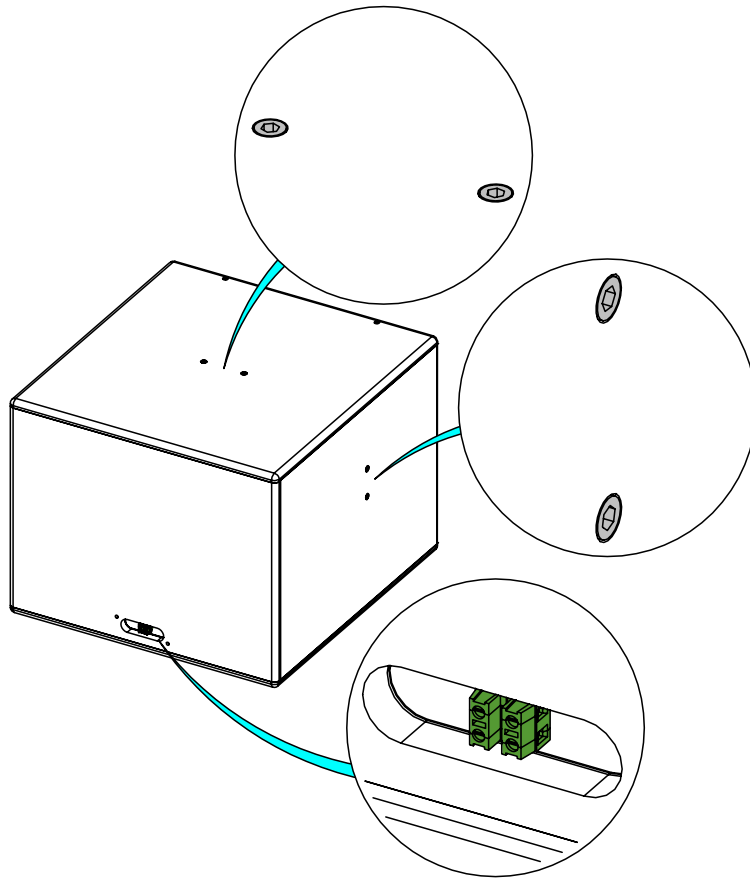


This symbol on the product or its packaging indicates that this product must not be treated as household waste. Instead, it is your responsibility to hand it over to a designated collection point for the recycling of waste electrical and electronic equipment. By ensuring your waste equipment is recycled, you will help prevent potential negative consequences for the environment and human health, which could appear if this product was not recycled. Recycling helps spare natural resources. For more information about the recycling of this product, please contact your local city office, your household waste disposal service or your reseller.

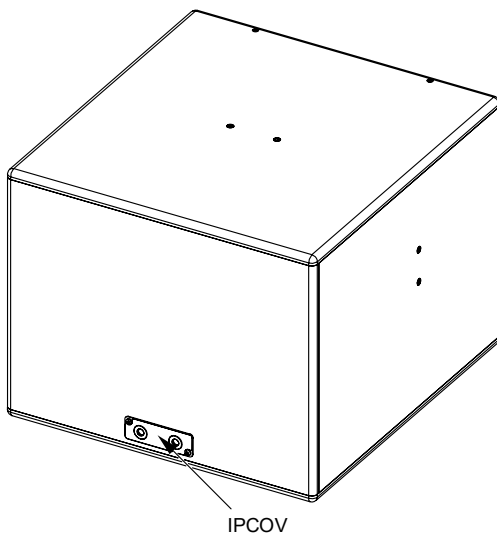
## EQUIPMENT

On the four sides of the cabinet, two M10 fittings will connect the eLS400 to accessories.  
(VNI-VCPL425, VNI-HCPL535, VNU-HBRK535, eye-bolts).

2 pairs (In/Out) of 7.62 mm pitch screw terminal blocks. Cables from 0.75 mm<sup>2</sup> to 3.31 mm<sup>2</sup> (12 to 15 AWG) copper section.

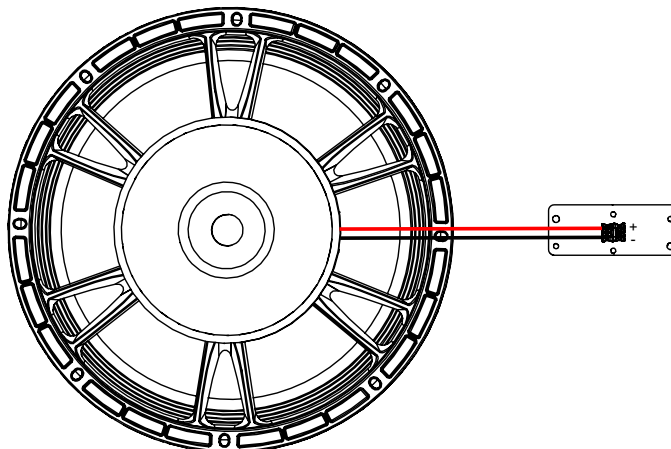


eLS400 with IPCOV

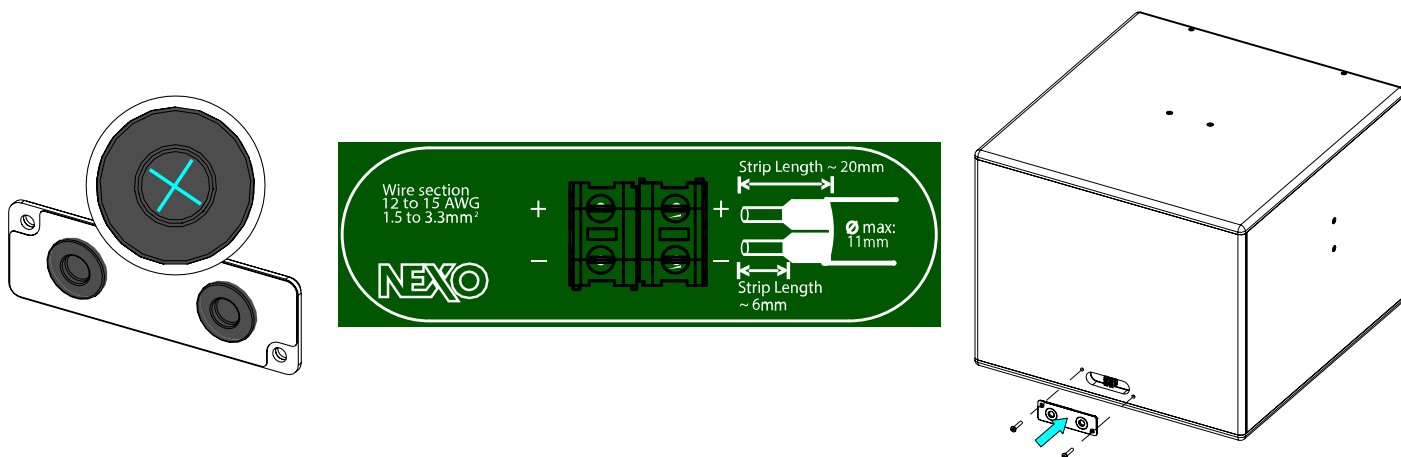


**DESCRIPTION**

- eLS600 is a compact and powerful subwoofer, ideal complementing ePS8 and ePS10.
- eLS600 is equipped with 2 pairs (In/Out) of screw terminal blocks, permissible cables from 0.75 mm<sup>2</sup> to 3.31 mm<sup>2</sup> (12 to 15 AWG) copper section. Cable with maximum outside diameter of 11mm.



- To wire eLS600, slit the membrane of the grommet crosswise, pass the cable through and make the connection to the screw terminals. Place the IPCOV.



- IP54: be careful to place the IPCOV correctly.
- Amplification
  - The eLS600speakers must be used with a NEXO processor to handle EQ, phase alignment, crossover, and excursion/thermal protection for the system loudspeaker.
  - The following table shows the number of ePS speakers and eLS600 subwoofers usable with each solution.

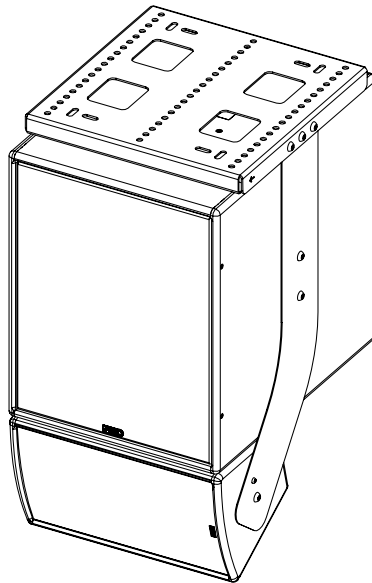
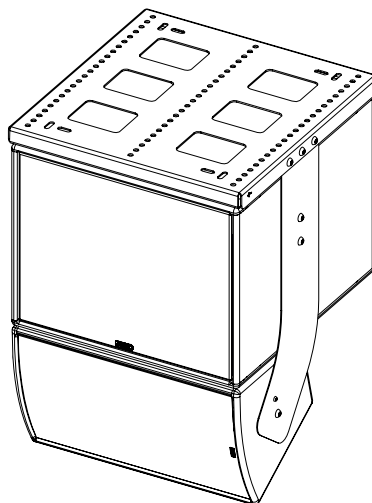
	DTD + DTDAMP4X0.7	DTD + DTDAMP4X1.3	NXAMP4X1mk2	NXAMP4X2mk2	NXAMP4X4mk2
ePS8	Up to 2 per channel	Up to 2 per channel	Up to 4 per channel *	Up to 4 per channel	Up to 4 per channel
ePS10	X	Up to 2 per channel	1 per channel *	Up to 4 per channel	Up to 4 per channel
eLS600	X	1 per channel	1 per channel *	Up to 2 per channel	Up to 2 per channel

\* Recommended powering solution

Please consult [nexo-sa.com](http://nexo-sa.com) for NEXO TD Controllers firmware information.

For a traditional use of the subwoofer, there are 3 setups for eLS600:

- 40 Hz – 85 Hz
- 40 Hz – 120 Hz
- 40 Hz – 150 Hz

**eLS600 + ePS8****eLS600 + ePS10**

## ACCESSORIES

## WARNINGS

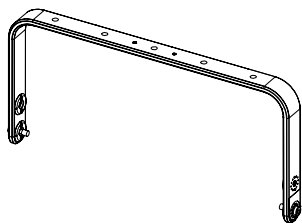
All accessories are specifically rated in agreement with structural computations.

Never use other accessories when assembling eLS cabinets than the ones provided by NEXO: NEXO will decline responsibility if any component is purchased from different supplier.

**PROHIBITED: ePS8 or ePS10 below eLS600 without dedicated accessory**

## VNU-HBRK535

Horizontal Cradle, can be used with VNI-CLADAPT.



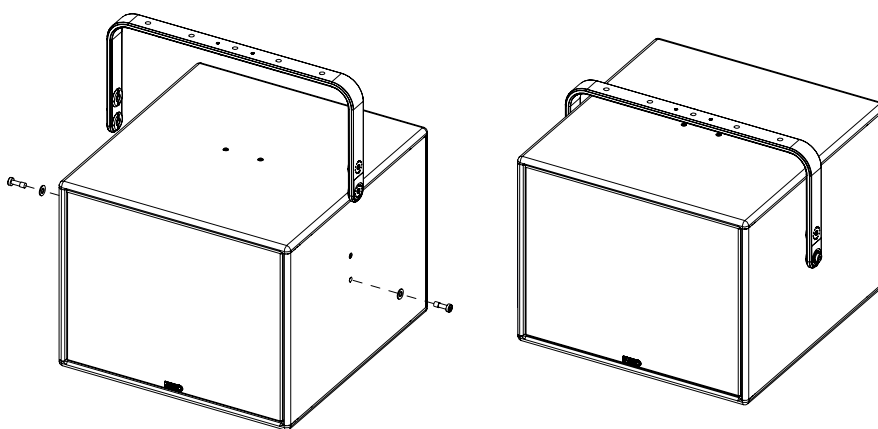
VNU-HBRK535 (2 positions).

Remove the M10 inserts from each side.

Place HBRK535 on eLS600, use only fasteners provided.

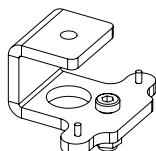
Tight properly.

Refer to the Product Data Sheet



## VNI-CLADAPT

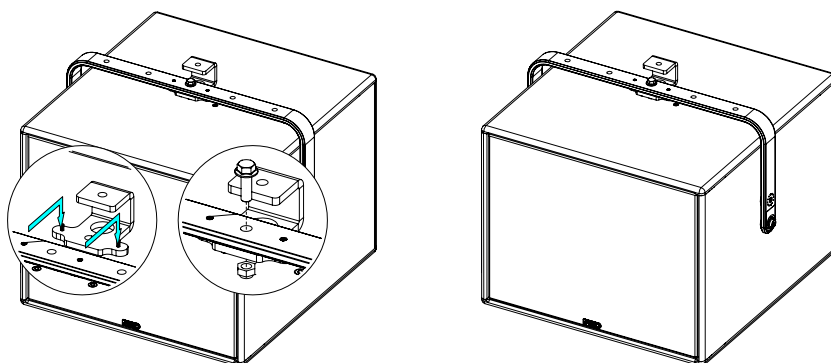
Ceiling Adapter, use with VNI-HBRK535.



Screw VNI-CLADAPT to the ceiling (fasteners not provided).

Place the assembly on VNI-CLADAPT, use the 2 guides. Tight with the fasteners provided with VNI-CLADAPT.

Refer to the Product Data Sheet

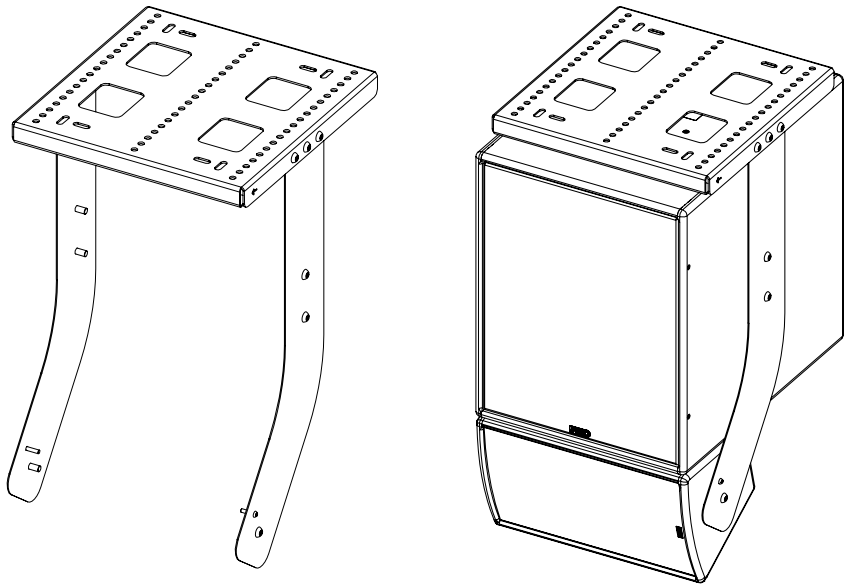


## ACCESSORIES

### VNI-VCPL425

Coupler ePS8 under Vertical eLS600

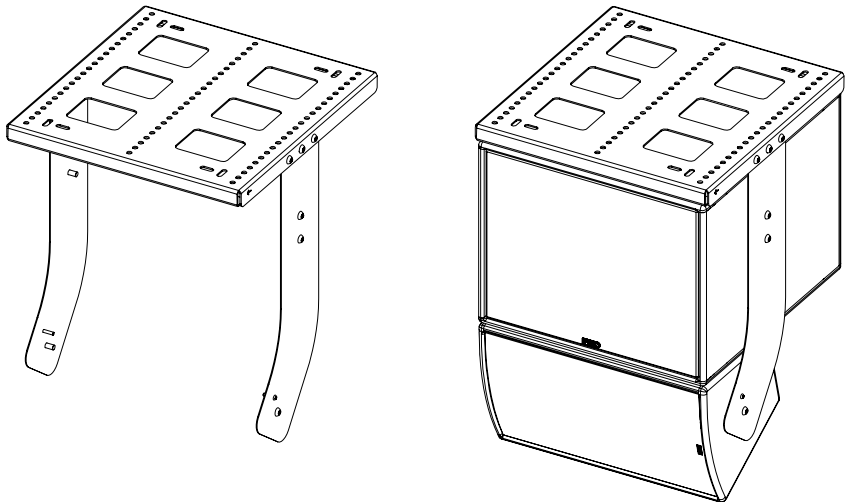
Refer to the Product Data Sheet



### VNI-HCPL535

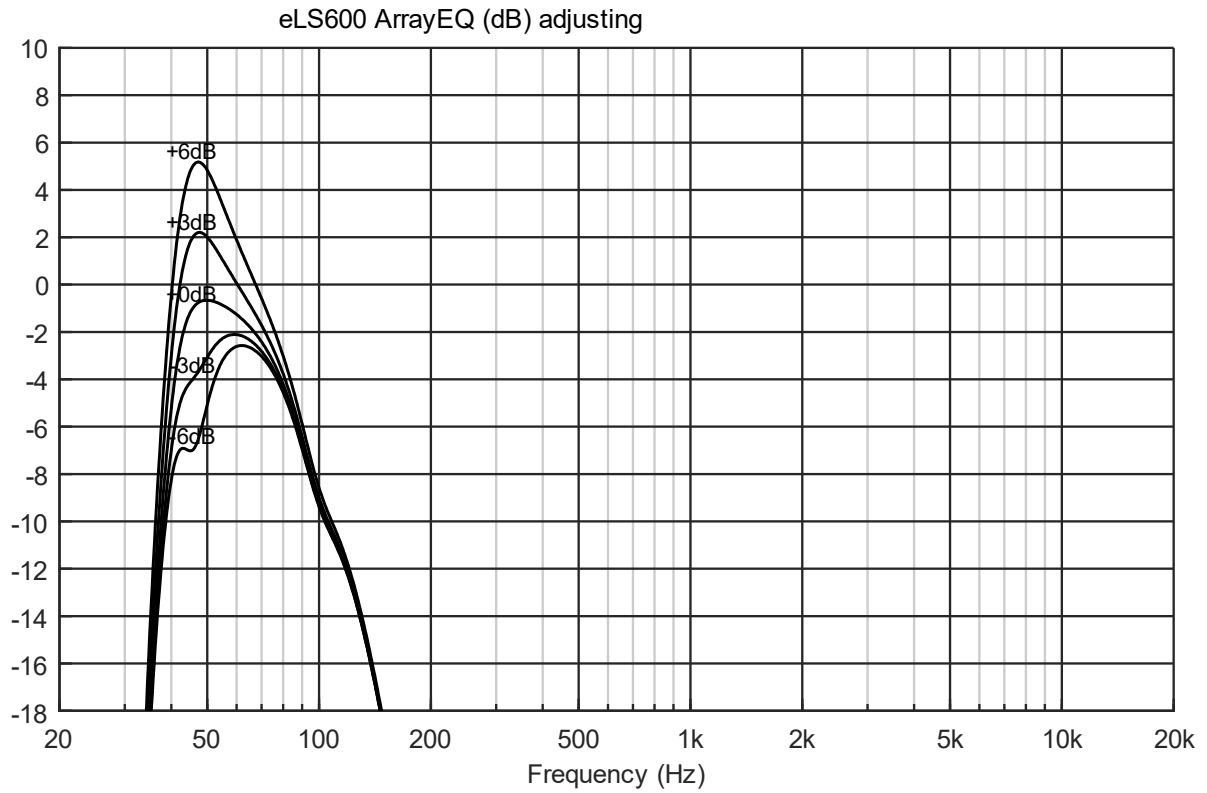
Coupler ePS10 under Horizontal eLS600

Refer to the Product Data Sheet



**ARRAY EQ**

The ArrayEQ allows to adjust the system frequency response in its lower range  
 (see curves below, with different ArrayEq values):



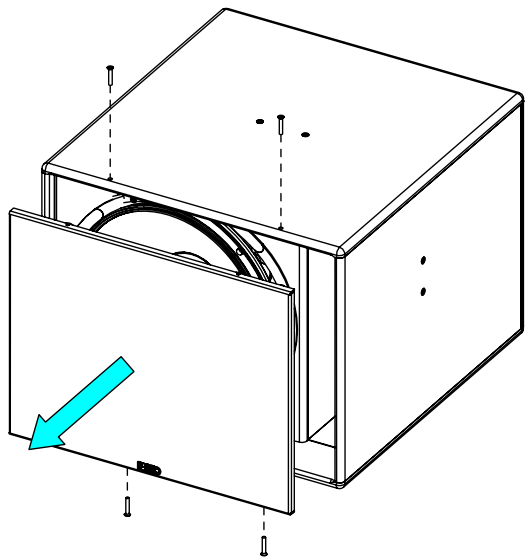
NOTE:

Speakers and Grills can be sent back to NEXO for recycling

**Driver access**

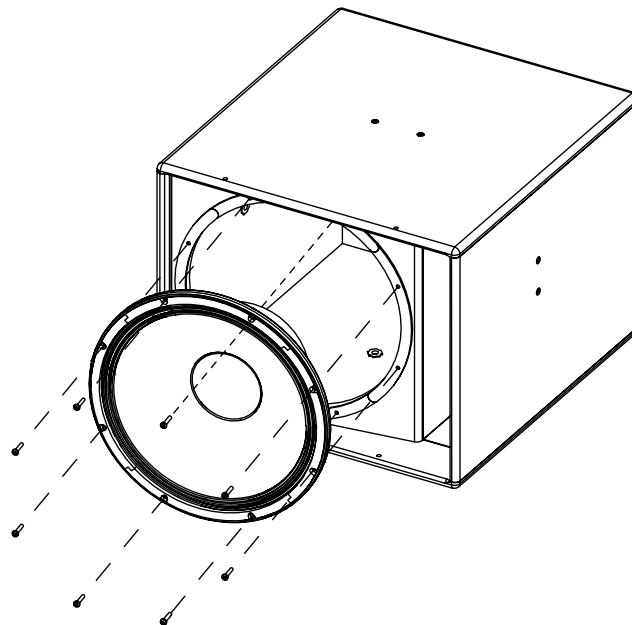
Loosen the 4 screws, Remove the grille.

Tightening torque: 2.5Nm



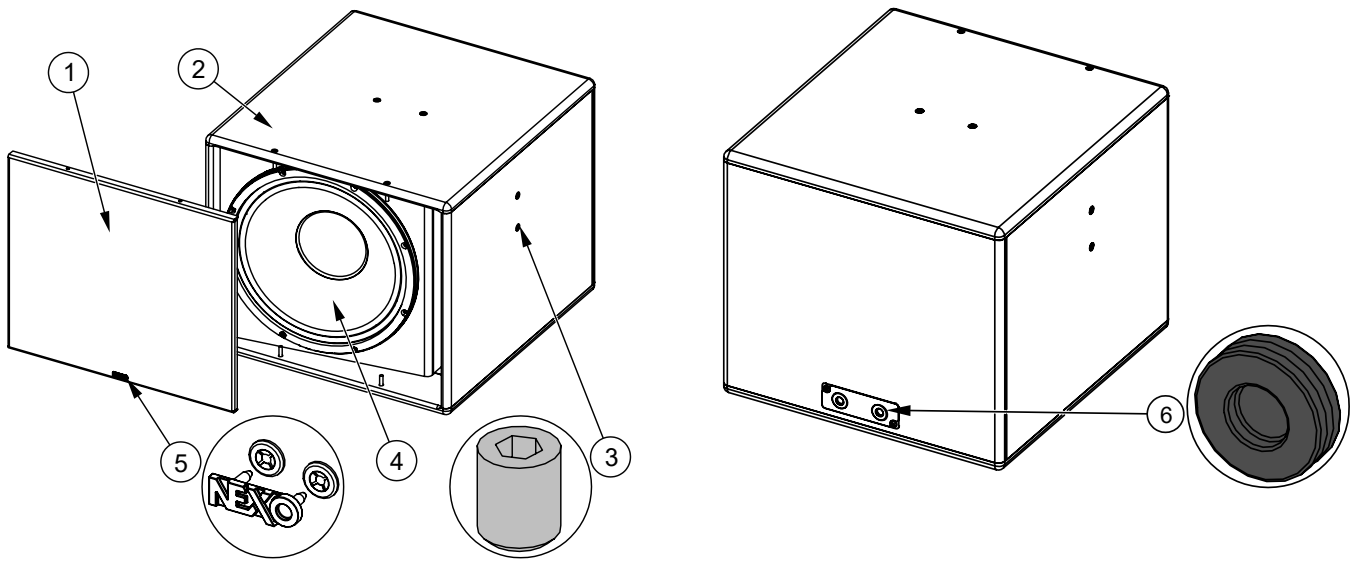
Remove 8 screws.

Tightening torque: 3.5Nm (Thread Locker: Loctite 242)



LF: red (+) / black (-)

Spare parts



MARK	QUANTITY	REFERENCE	DESIGNATION
1	1	05ELS600-UA	Complete grille Black
2	1	05EBELS600	Cabinet Black
3	8	05VXTSTHC1012	HEADLESS Screw M10x12 Black (x10)
4	1	05HPB15-76	HP 15" BASS 4 Ohms 76mm VOICE COIL
	1	05HPB15-76R/K	Recone Kit for HPB15-76
5	1	05LOGNEXO6	NEXO Logo (with 2x starlock)
6	2	05PASF-DG9E1	Grommet DG11

**TECHNICAL SPECIFICATIONS**

WITH NEXO ELECTRONICS

Model	eLS600
Frequency range ( $\pm 6$ dB)	40 Hz – 150 Hz
Peak SPL Level (1m)	136dB Peak
Operating voltage	40Vrms
Crossover Frequency	40 – 85 Hz; 40 – 120 Hz; 40 – 150 Hz
Nominal Impedance	4 ohms

**SPECIFICATIONS**

Model	eLS400
Components	LF: 1x15" - Long excursion Neodymium driver
Material	Baltic birch plywood 15mm
Finish	Black structural paint (RAL9005 or Custom RAL upon request)
Front finish	Black acoustic fabric fitted front steel front grille
Fittings	2x M10 on each side for rigging accessories.
Connector	2 pairs (In/Out) of 7.62 mm pitch screw terminal blocks. Cables from 0.75 mm <sup>2</sup> to 3.31 mm <sup>2</sup> (AWG 18 to 12) copper section. Cable with maximum outside diameter of 11 mm.
Weight	26.3 kg / 58 lb
IP Classification	IP54 with IPCOV

Dimensions	<p>Technical drawings of the eLS400 speaker showing dimensions in millimeters:</p> <ul style="list-style-type: none"> <li>Front view: width 423 mm, height 365 mm.</li> <li>Side view: depth 450 mm, height 55 mm.</li> <li>Bottom view: width 80 mm, depth 31 mm.</li> </ul>
------------	---

**USER NOTES**

**NEXO S.A.**

Parc d'activité de la Dame Jeanne  
F-60128 PLAILLY

Tel: +33 3 44 99 00 70

Fax: +33 3 44 99 00 30

E-mail: [info@nexo.fr](mailto:info@nexo.fr)

[nexo-sa.com](http://nexo-sa.com)

**NEXO**