

FlexPoint

Portable coaxial point source
loudspeakers

User Guide



 FlexPoint



Contents

Rigging

Accessories List.....	4
Accessories.....	5
Integrated Pole Mount.....	9
Touring Yoke Installation Portrait.....	10
<i>Installation for FP6 (FP6YPT) & FP8 (FP8YPT).</i>	10
Touring Yoke Installation Landscape.....	12
<i>Installation for FP6 (FP6YLT) & FP8 (FP8YLT).</i>	12
Touring Yoke Installation Portrait.....	14
<i>Installation for FP12(FP12YPT) & FP15(FP15YPT).</i>	14
Touring Yoke Installation Landscape.....	16
<i>Installation for FP12(FP12YLT) & FP15(FP15YLT).</i>	16
Touring & Install Yoke Installation.....	18
<i>Installation for FP4 (FP4Y).</i>	18
Lower Mounting Position.....	19
Upper Slot Mounting Position.....	20
Yoke Installation Install Portrait.....	21
<i>Installation for FP6 (FP6YPI), FP8(FP8YPI), FP12 (FPYPI), FP15 (FP5YPI).</i>	21
Lower Mounting Position Portrait.....	22
Upper Mounting Position Portrait.....	23
Yoke Installation Install Landscape.....	24
<i>Installation for FP6 (FP6YLI), FP8(FP8YLI), FP12 (FPYLI), FP15 (FP5YLI).</i>	24
Lower Mounting Position Landscape.....	25
Upper Mounting Position Landscape.....	26
Pole Adaptor (ASF20045) Touring Yokes.....	27
<i>Installation for FP6, FP8, FP12, FP15.</i>	27
Simple Rigging Bar (SBAR40) Portrait.....	29
<i>Installation for FP6, FP8, FP12, FP15.</i>	29
Simple Rigging Bar (SBAR40) Landscape.....	30
<i>Installation for FP6, FP8, FP12, FP15.</i>	30
Wall Mounting Brackets (WB) Portrait.....	31
<i>Installation for FP6, FP8, FP12, FP15.</i>	31
Wall Mounting Brackets (WB) Landscape.....	34
<i>Installation for FP6, FP8, FP12, FP15.</i>	34
WB Spacers (WB6/8 & WB10/12) Portrait/Landscape.....	37
<i>Installation for FP6, FP8, FP12.</i>	37

Driver Rotation FP6.....38

Driver Rotation FP8, FP12, FP15.....39

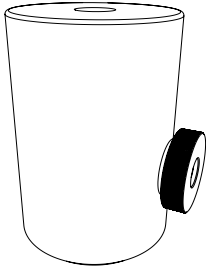
Rigging

Accessories List.

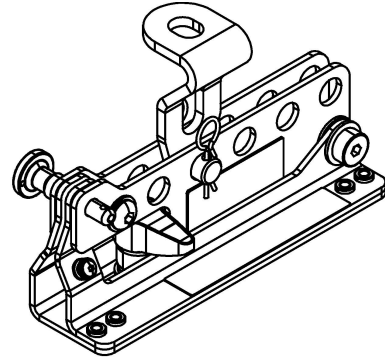
Part	Description
ASF20045	Pole mount adaptor for FP4, FP6, FP8, FP12, FP15
SBAR40	Flying Bracket for FP6, FP8, FP12, FP15
ASF20071	Wind-up telescopic pole
WB6/8	Wall mount bracket for FP6, FP8
WB10/12	Wall mount bracket for FP12
WB15	Wall mount bracket for FP15
FP4Y	Touring & install yoke for FP4
FP6YLI	Install yoke for FP6 (Landscape)
FP6YPI	Install yoke for FP6 (Portrait)
FP6YLT	Touring yoke for FP6 (Landscape)
FP6YPT	Touring yoke for FP6 (Portrait)
FP8YLI	Install yoke for FP8 (Landscape)
FP8YPI	Install yoke for FP8 (Portrait)
FP8YLT	Touring yoke for FP8 (Landscape)
FP8YPT	Touring yoke for FP8 (Portrait)
FP12YLI	Install yoke for FP12 (Landscape)
FP12YPI	Install yoke for FP12 (Portrait)
FP12YLT	Touring yoke for FP12 (Landscape)
FP12YPT	Touring yoke for FP12 (Portrait)
FP15YLI	Install yoke for FP15 (Landscape)
FP15YPI	Install yoke for FP15 (Portrait)
FP15YLT	Touring yoke for FP15 (Landscape)
FP15YPT	Touring yoke for FP15 (Portrait)

Accessories.

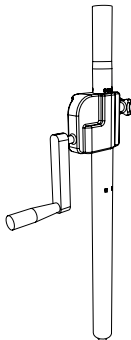
ASF20045



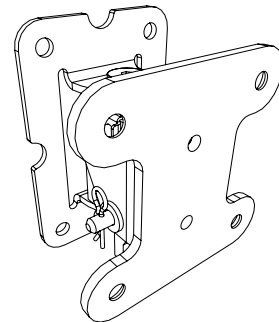
SBAR40



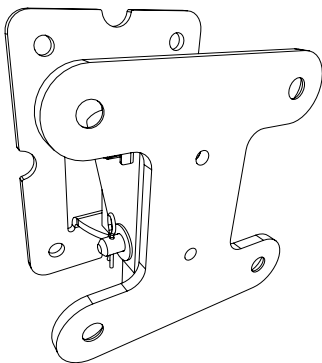
ASF20071



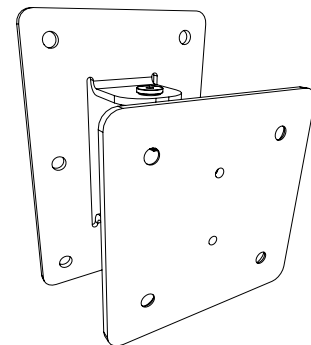
WB6/8



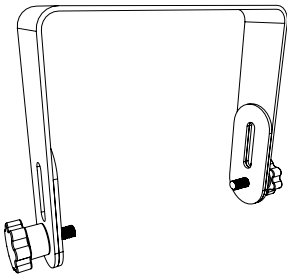
WB10/12



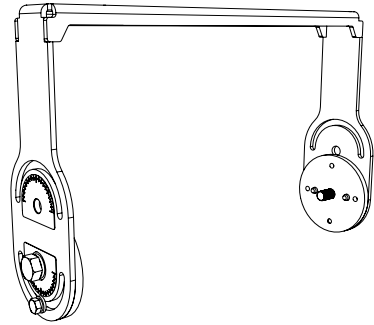
WB15



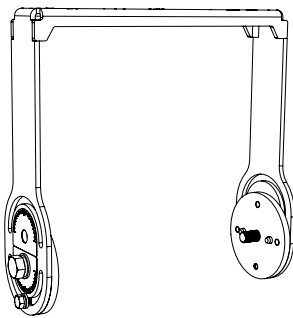
FP4Y



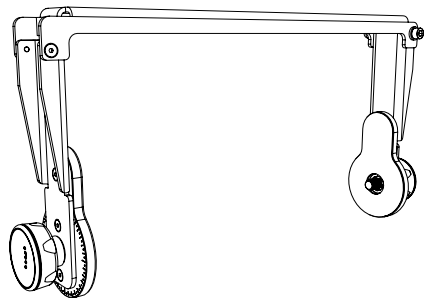
FP6YLI



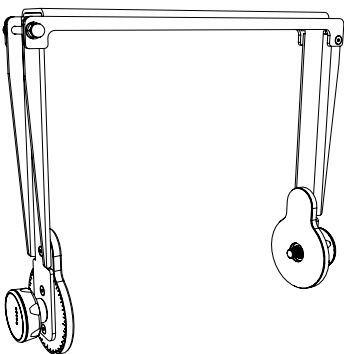
FP6YPI



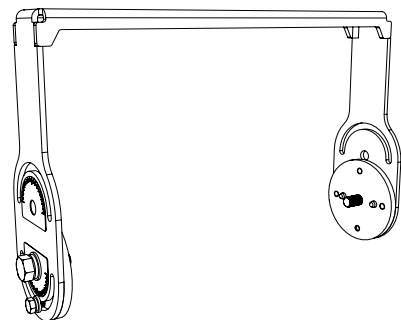
FP6YLT



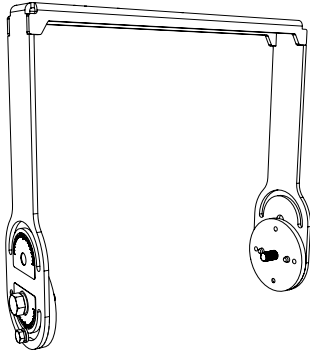
FP6YPT



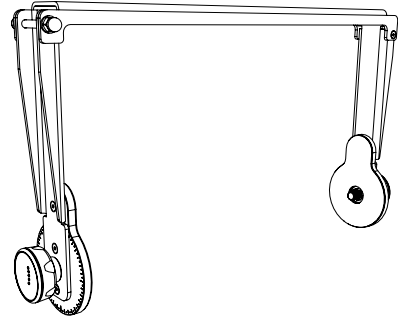
FP8YLI



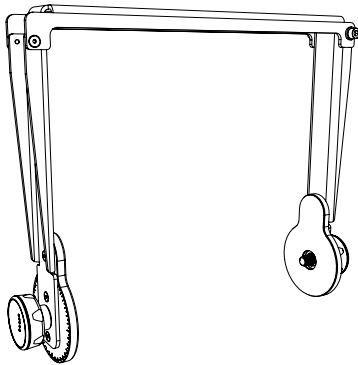
FP8YPI



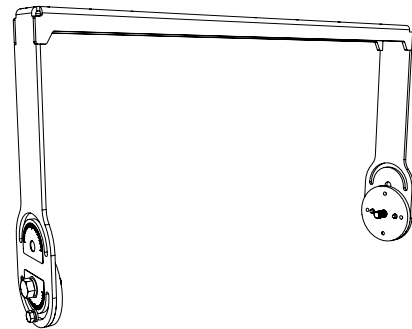
FP8YLT



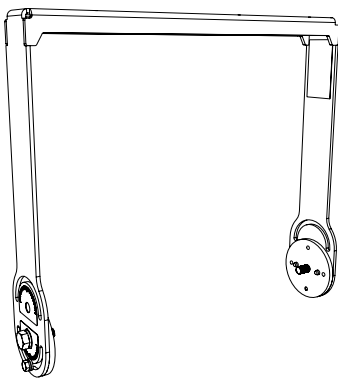
FP8YPT



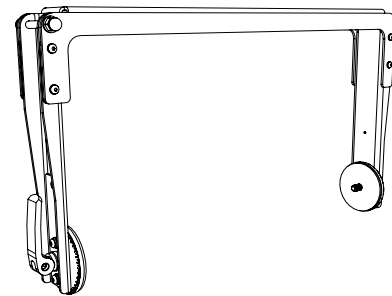
FP12YLI



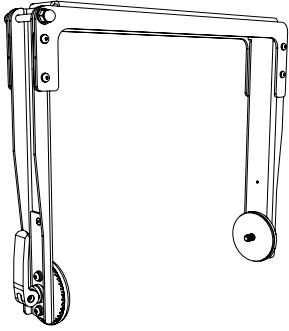
FP12YPI



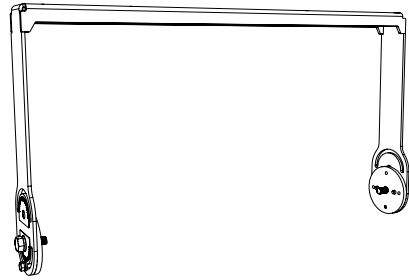
FP12YLT



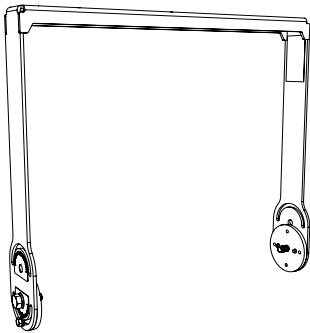
FP12YPT



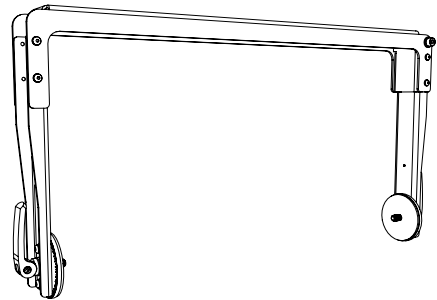
FP15YLI



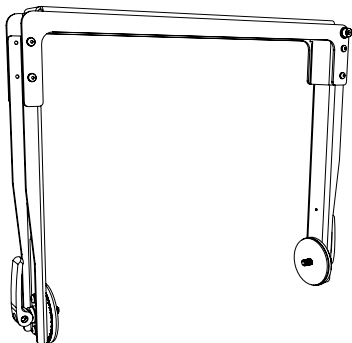
FP15YPI



FP15YLT



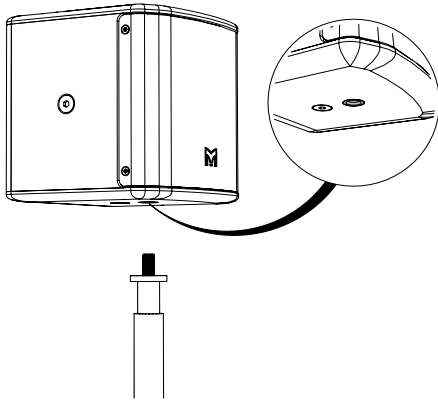
FP15YPT



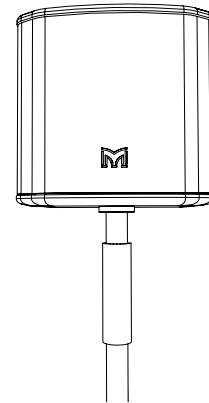
Integrated Pole Mount.

FP4 has a 3/8" insert for a microphone stand.

Align the insert on the FP4 with the Microphone stand.

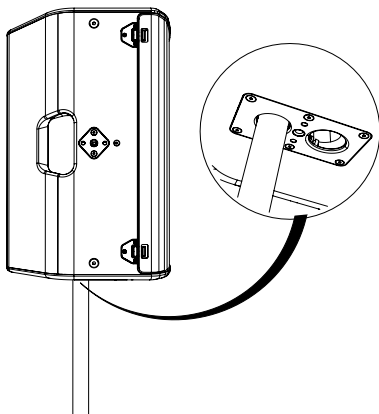


Mount the FP4 to the microphone stand.

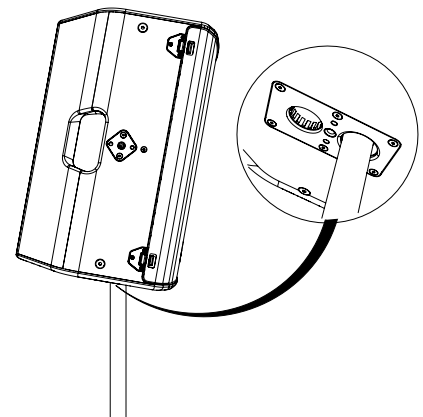


FP6, FP8, FP12 & FP15 have an integrated 35mm dual pole mount for deployment on SX Series subwoofers or speaker stands.

The rear mount sets the angle at 0 °.



The front mount sets the angle at 20 °.



Touring Yoke Installation Portrait.

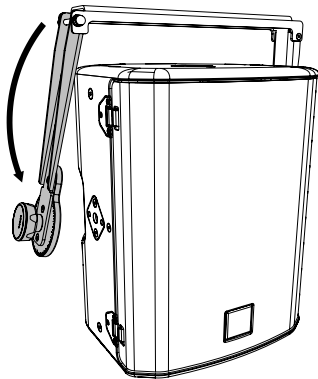
Installation for FP6 (FP6YPT) & FP8 (FP8YPT).

FP6 & FP8 have an integrated M10 mounts for rigging accessories. Quick release touring yokes can be fixed to the mounts without the use of any tools.

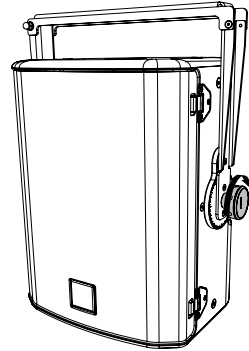
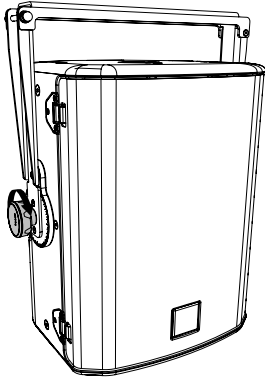
Pull the floating arm out before aligning to the mounts on the speaker.



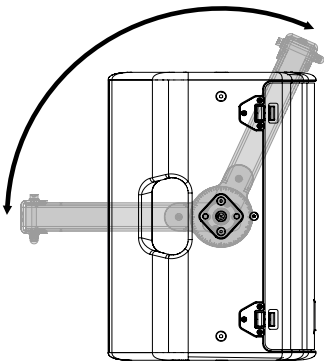
Align the arms to the M10 mounts on the speaker.



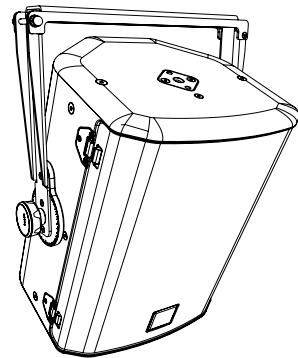
Secure the yoke to the speaker using the handwheels.



Set the desired angle for the speaker.



Tighten the hand wheels on both sides to secure.



Touring Yoke Installation Landscape.

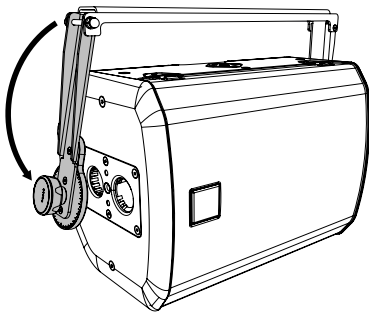
Installation for FP6 (FP6YLT) & FP8 (FP8YLT).

FP6 & FP8 have an integrated M10 mounts for rigging accessories. Quick release touring yokes can be fixed to the mounts without the use of any tools.

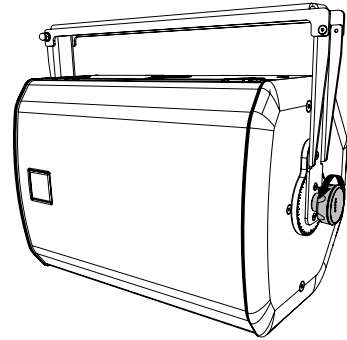
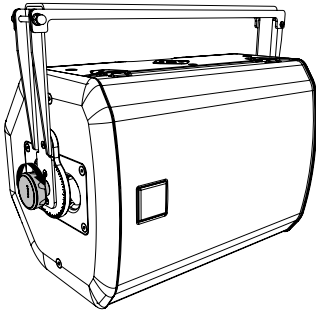
Pull the floating arm out before aligning to the mounts on the speaker.



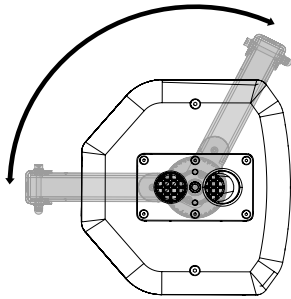
Align the arms to the M10 mounts on the speaker.



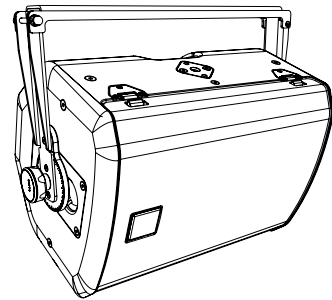
Secure the yoke to the speaker using the handwheels.



Set the desired angle for the speaker.



Tighten the hand wheels on both sides to secure.

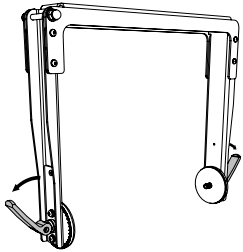


Touring Yoke Installation Portrait.

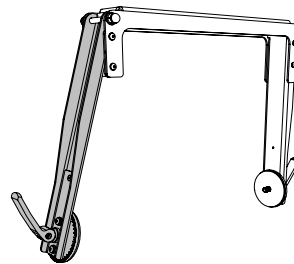
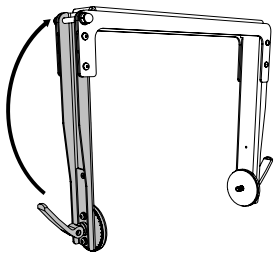
Installation for FP12(FP12YPT) & FP15(FP15YPT).

FP12 & FP15 have an integrated M10 mounts for rigging accesories. Quick release touring yokes can be fixed to the mounts without the use of any tools.

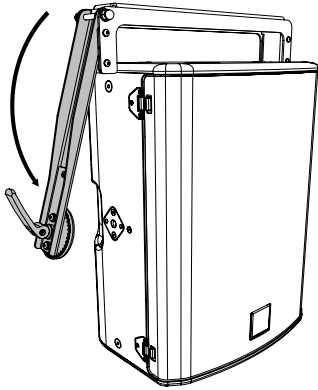
Release the clamp levers on both sides of the yoke.



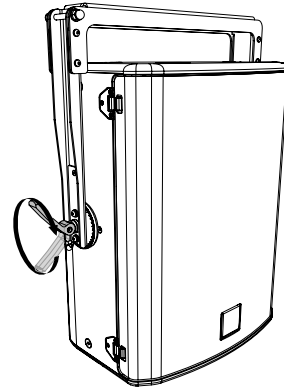
Pull the floating arm out before aligning to the mounts on the speaker.



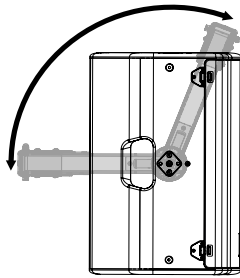
Align the arms to the M10 mounts on the speaker.



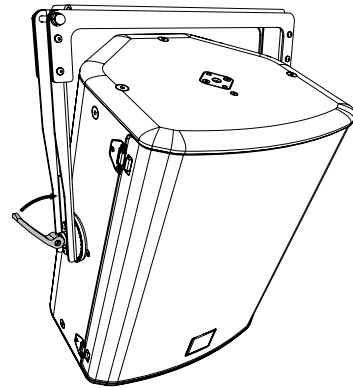
Secure the yoke to the speaker using the clamp levers on both sides.



Set the desired angle for the speaker.



Tighten the clamp levers on both sides to secure.

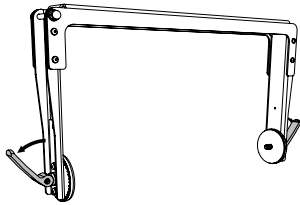


Touring Yoke Installation Landscape.

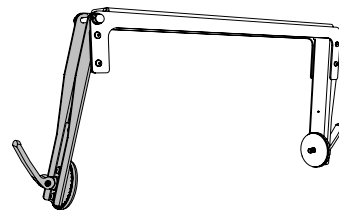
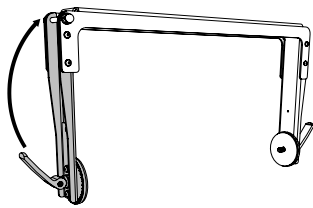
Installation for FP12(FP12YLT) & FP15(FP15YLT).

FP12 & FP15 have an integrated M10 mounts for rigging accessories. Quick release touring yokes can be fixed to the mounts without the use of any tools.

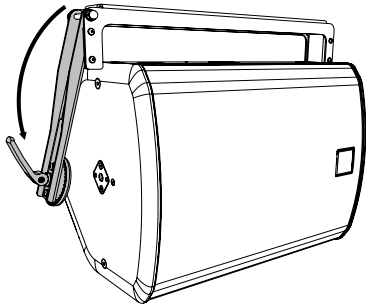
Release the clamp levers on both sides of the yoke.



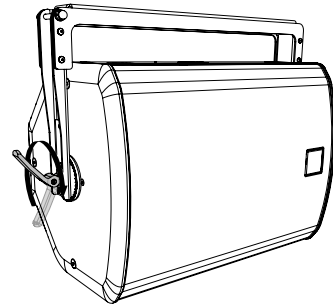
Pull the floating arm out before aligning to the mounts on the speaker.



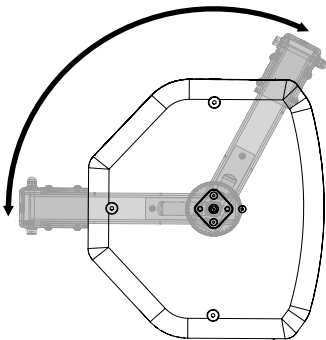
Align the arms to the M10 mounts on the speaker.



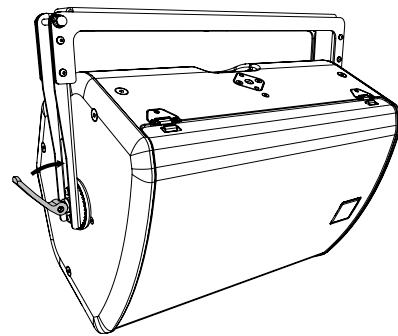
Secure the yoke to the speaker using the clamp levers on both sides.



Set the desired angle for the speaker.



Tighten the clamp levers on both sides to secure.



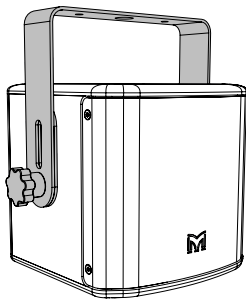
Touring & Install Yoke Installation.

Installation for FP4 (FP4Y).

The FP4 has integrated M6 mounts for the FP4Y yoke assembly. The quick release yoke can be secured to the mounts with the use of any tools.

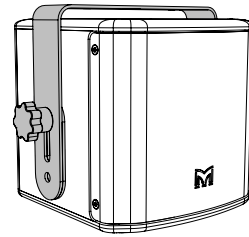
The FP4Y has a lower mounting hole and a slot above for close coupled installation.

Lower mounting position allows for any vertical angle desired.



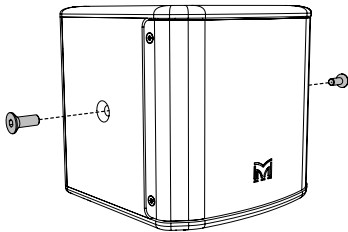
Upper mounting slot reduces the gap between the yoke and the speaker for close coupled mounting and low ceilings.

Close coupled has limited vertical angle adjustment.

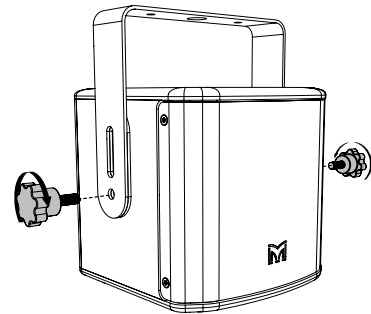


Lower Mounting Position.

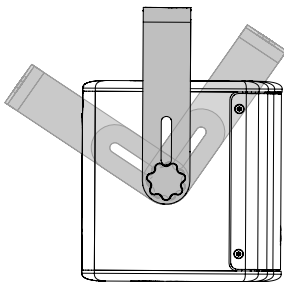
Remove the M6 fixings from the sides of the cabinet.



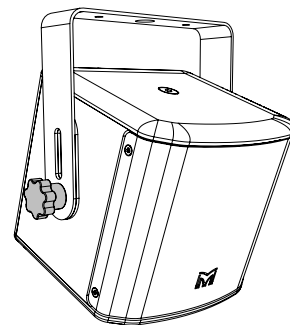
Secure the yoke to the speaker using the clamp levers on both sides.



Set the desired angle for the speaker.

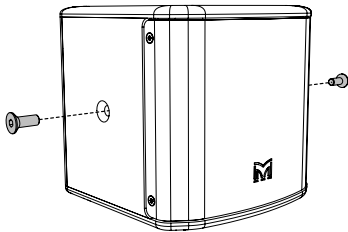


Tighten the thumb wheels on both sides to secure.

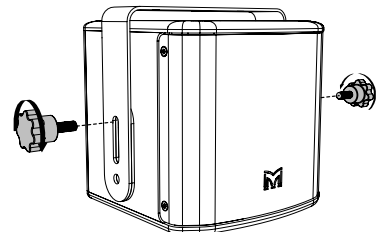


Upper Slot Mounting Position.

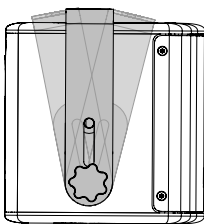
Remove the M6 fixings from the sides of the cabinet.



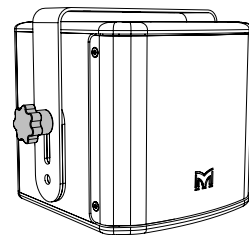
Secure the yoke to the speaker using the clamp levers on both sides.



Set the desired angle for the speaker.



Tighten the thumb wheels on both sides to secure.



Yoke Installation Install Portrait.

Installation for FP6 (FP6YPI), FP8(FP8YPI), FP12 (FPYPI), FP15 (FP5YPI).

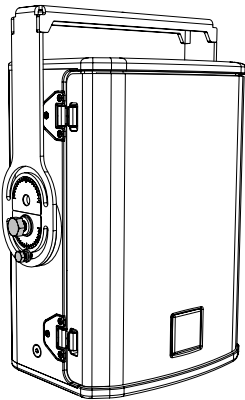
You can fix Flexpoint install yokes to the M10 mounting points using the following tools:

- A 17mm socket or spanner for the yoke.
- A 10mm socket or spanner to securely lock the yoke angle.

For the heaviest speaker in the range, the FP15, you may wish to check that the torque is 10 Nm.

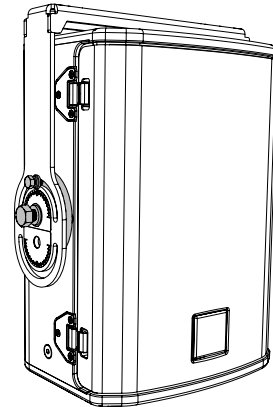
There are two available mounting positions for the install yokes.

Lower mounting position allows for any vertical angle desired.



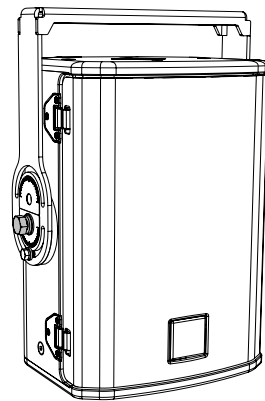
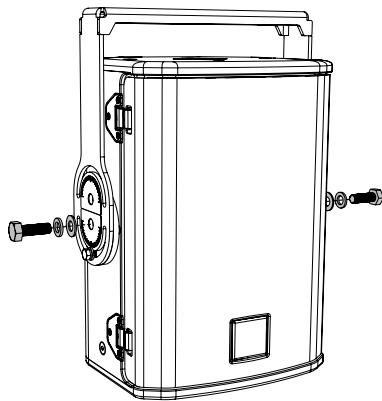
Upper mounting position reduces the gap between the yoke and the speaker for close coupled mounting and low ceilings.

Close coupled mounting has limited vertical angle adjustment.

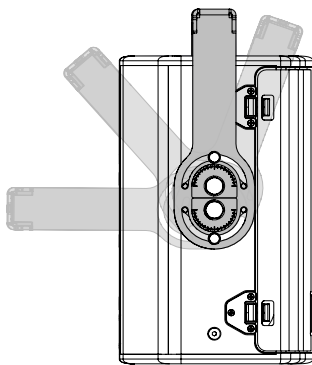


Lower Mounting Position Portrait.

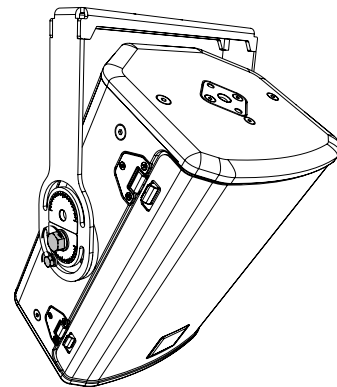
Position the friction pads and fixings on the lower mounting holes and secure into place with a 17mm socket or spanner.



Set the desired angle for the speaker.

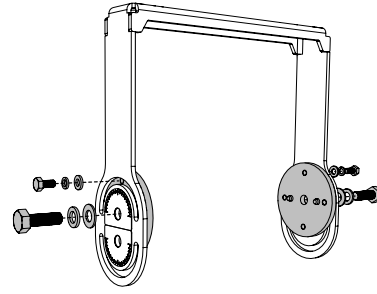
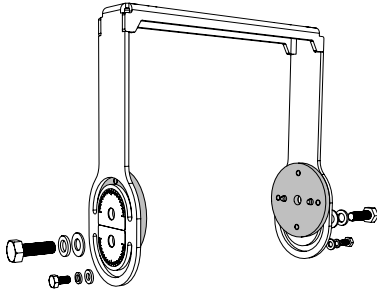


Lock into place using a 17mm socket or spanner for the M10 mounting points (both sides) and a 10mm for the secondary fixing.



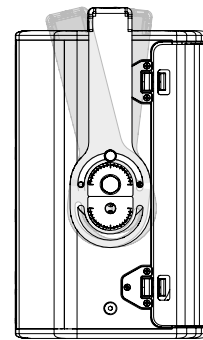
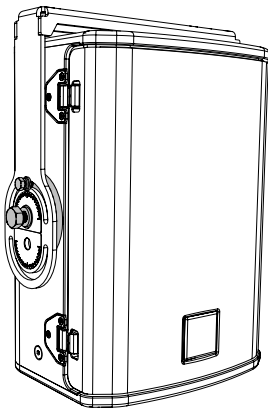
Upper Mounting Position Portrait.

Position the friction pads and fixings on the upper mounting holes and secure into place with a 10mm socket or spanner.

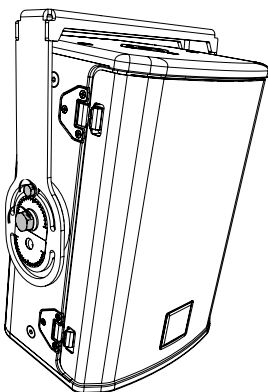


Attach to the cabinet with a 17mm socket or spanner.

Set the desired angle, which is limited to the yokes close proximity to the cabinet.



Lock into place using a 17mm socket or spanner for the M10 mounting points (both sides) and a 10mm for the secondary fixing.



Yoke Installation Install Landscape.

Installation for FP6 (FP6YLI), FP8(FP8YLI), FP12 (FPYLI), FP15 (FP5YLI).

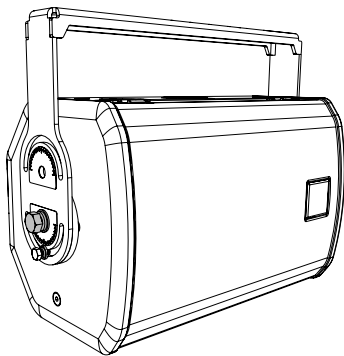
You can fix Flexpoint install yokes to the M10 mounting points using the following tools:

- A 17mm socket or spanner for the yoke.
- A 10mm socket or spanner to securely lock the yoke angle.

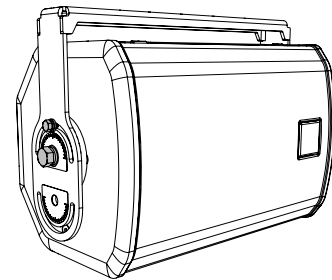
For the heaviest speaker in the range, the FP15, you may wish to check that the torque is 10 Nm.

There are two available mounting positions for the install yokes.

Lower mounting position allows for any vertical angle desired.



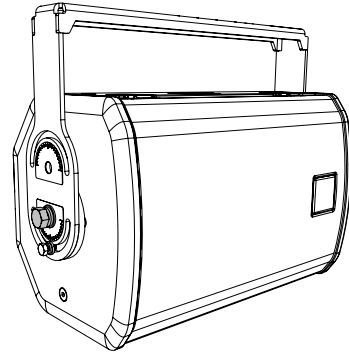
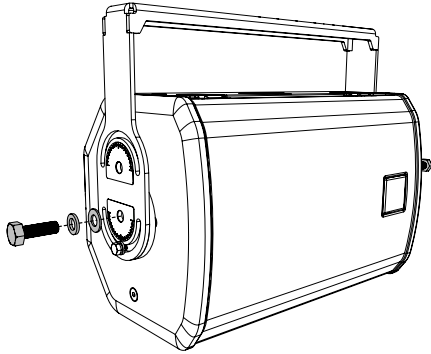
Upper mounting position reduces the gap between the yoke and the speaker for close coupled mounting and low ceilings.



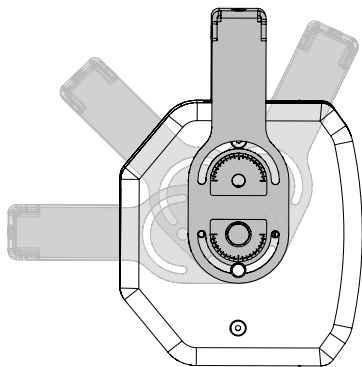
Close coupled mounting has limited vertical angle adjustment.

Lower Mounting Position Landscape.

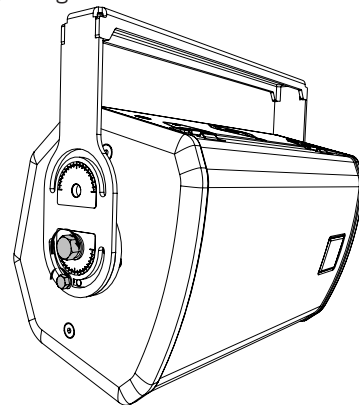
Position the friction pads and fixings on the lower mounting holes and secure into place with a 17mm socket or spanner.



Set the desired angle for the speaker.

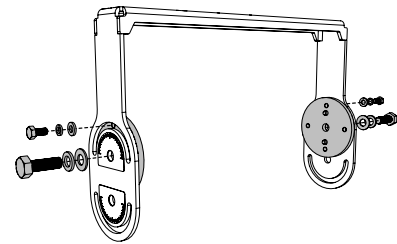
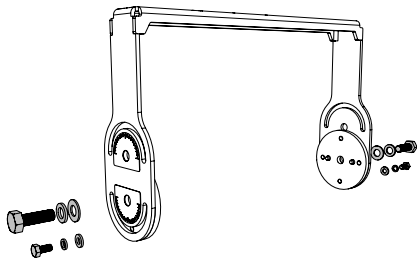


Lock into place using a 17mm socket or spanner for the M10 mounting points (both sides) and a 10mm for the secondary fixing.



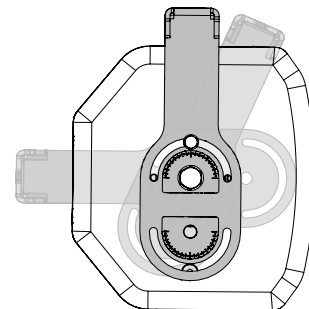
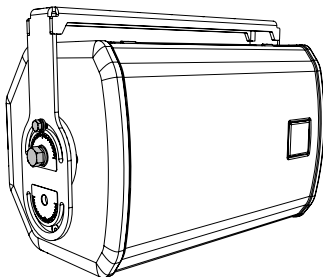
Upper Mounting Position Landscape.

Position the friction pads and fixings on the upper mounting holes and secure into place with a 10mm socket or spanner.

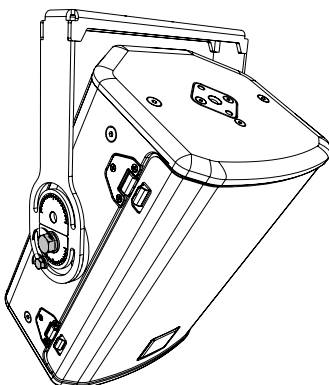


Attach to the cabinet with a 17mm socket or spanner.

Set the desired angle, which is limited to the yokes close proximity to the cabinet.



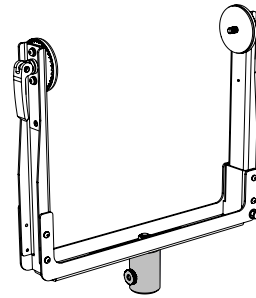
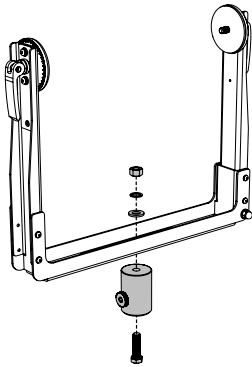
Lock into place using a 17mm socket or spanner for the M10 mounting points (both sides) and a 10mm for the secondary fixing.



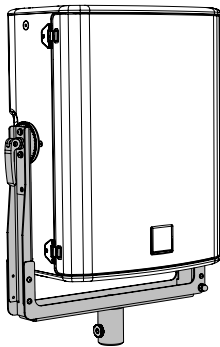
Pole Adaptor (ASF20045) Touring Yokes.

Installation for FP6, FP8, FP12, FP15.

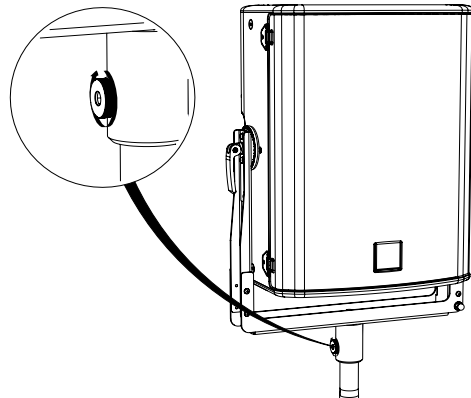
Secure the pole mount adaptor to the yoke using the included fixings.



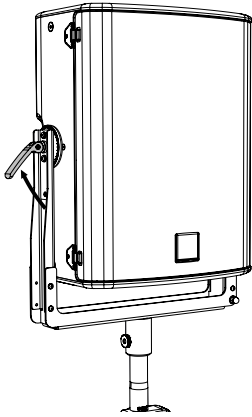
Attached the speaker to the yoke as per instructions starting on page 12.



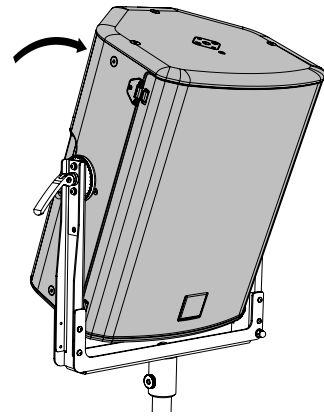
Mount onto the pole and tighten the thumb screw on the pole mount adaptor to secure.



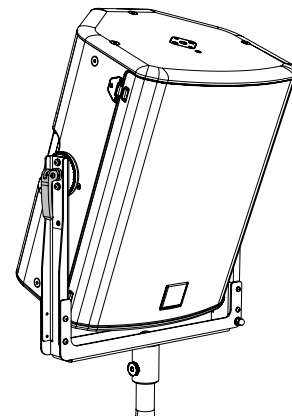
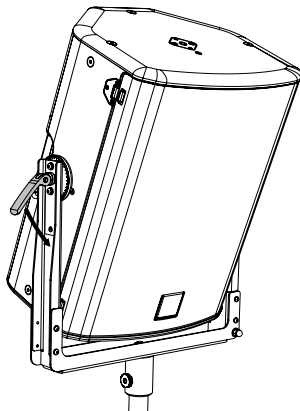
Release the clamp levers on both sides of the yoke.



Rotate the cabinet to the desired angle.



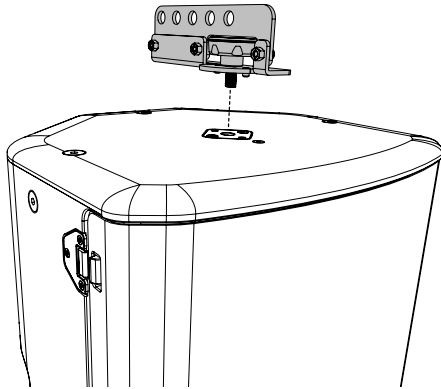
Tighten clamp levers to secure the cabinet in place.



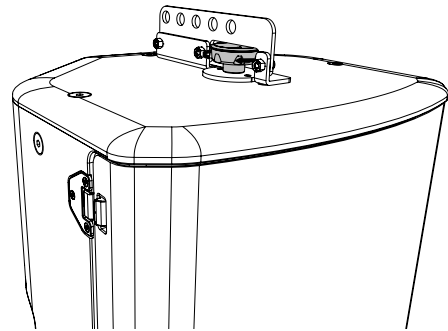
Simple Rigging Bar (SBAR40) Portrait.

Installation for FP6, FP8, FP12, FP15.

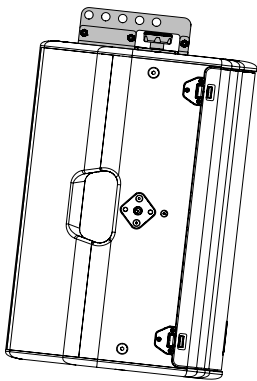
Locate the SBAR40 on to the M10 mounting plate.



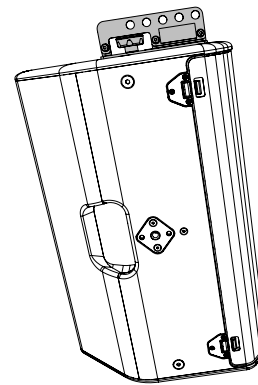
Tighten hand wheel to secure.



The SBAR40 can be mounted at the rear for negative angles.



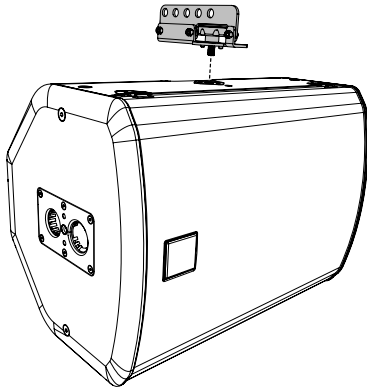
Mounted at the front for positive angles.



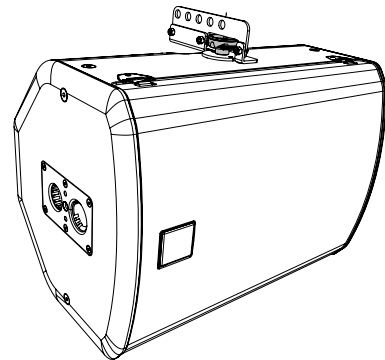
Simple Rigging Bar (SBAR40) Landscape.

Installation for FP6, FP8, FP12, FP15.

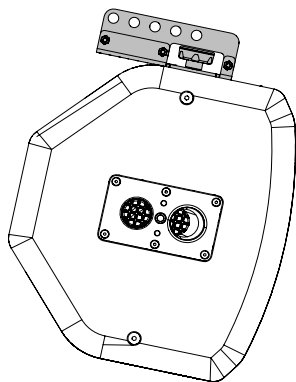
Locate the SBAR40 on to the M10 mounting plate.



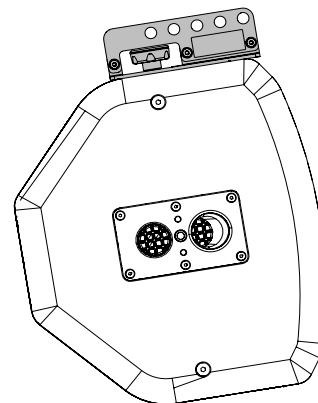
Tighten hand wheel to secure.



The SBAR40 can be mounted at the rear for negative angles.



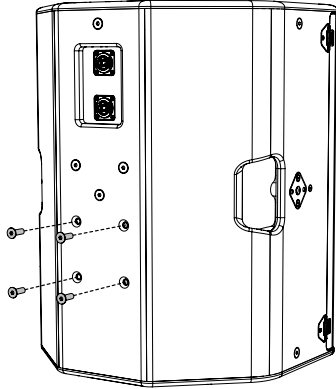
Mounted at the front for positive angles.



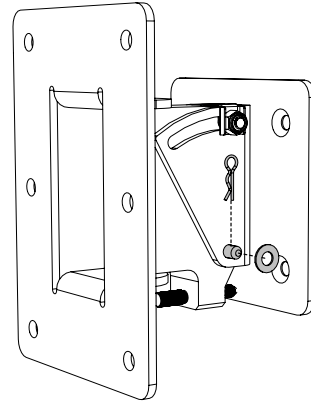
Wall Mounting Brackets (WB) Portrait.

Installation for FP6, FP8, FP12, FP15.

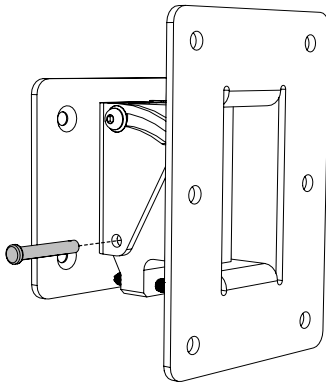
Remove the middle and lower fixings from the cabinet.



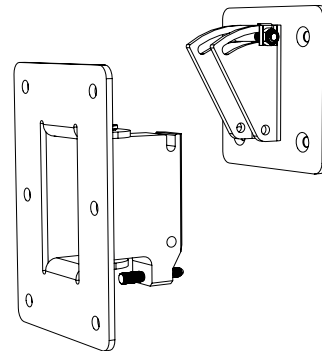
Remove the R-Clip and washer from the WB bracket.



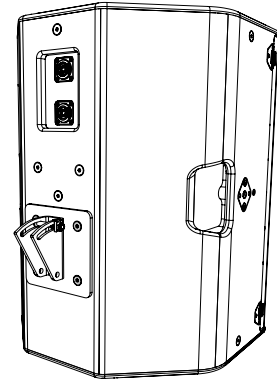
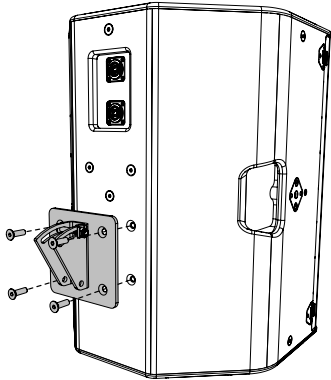
Remove the pivot pin from the WB assembly.



Separate the two parts of the WB bracket.

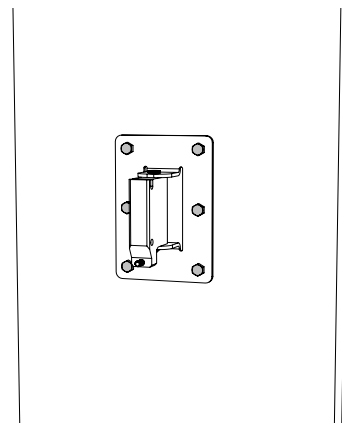
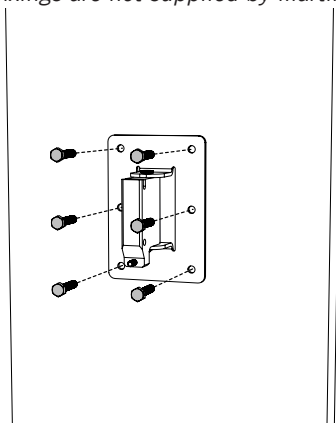


Attach the speaker part of the WB assembly to the cabinet, using the fixings that were removed from the cabinet.

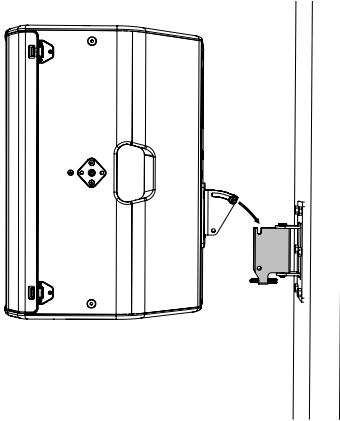


Attach the wall part of the WB assembly to a suitable structure using rated fixings.

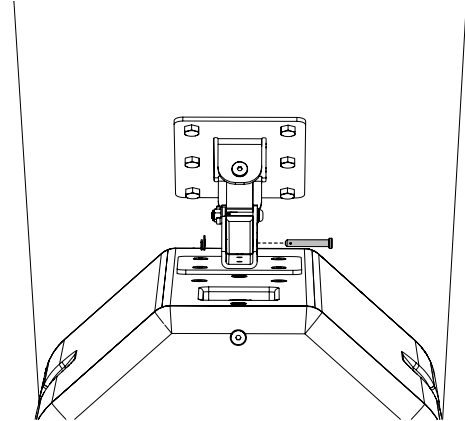
Note: These fixings are not supplied by Martin Audio.



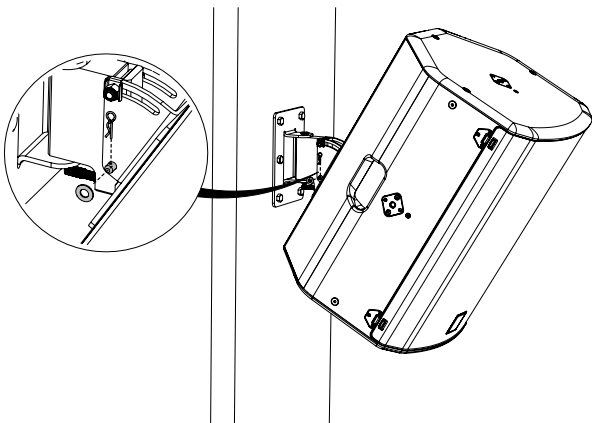
Offer the speaker up to the wall bracket and hook the horizontal bolt into the curved slot.



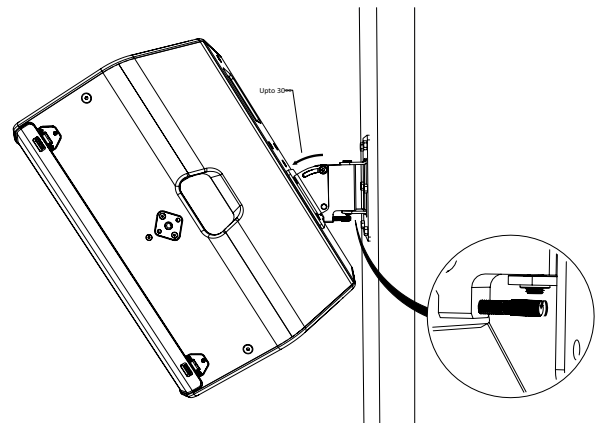
Replace the pivot pin.



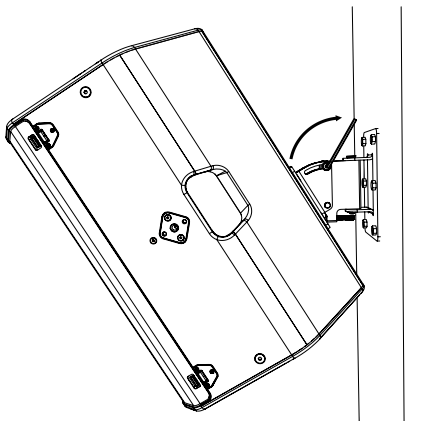
Replace the washer and R-Clip to secure the pivot pin in place.



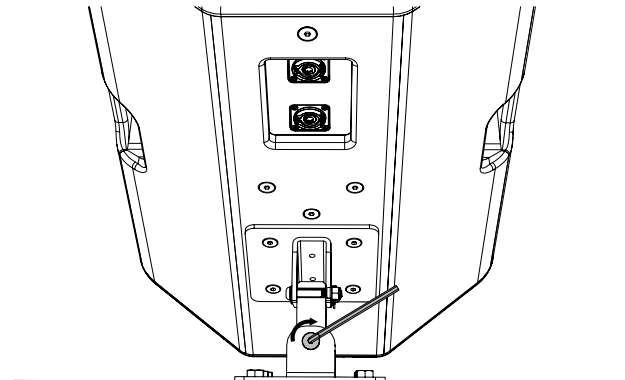
Set the desired downward tilt angle and hold in place with the grub screw.



Once the vertical angle is set tighten the top bolt with a 5mm hex tool.



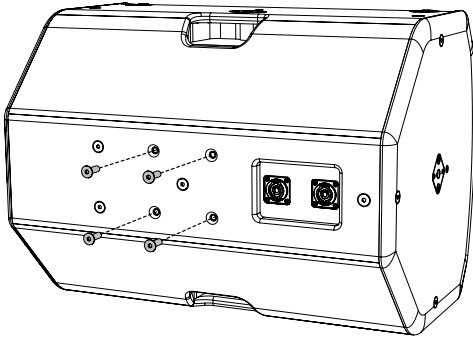
Set the horizontal angle, then secure using a 5mm hex tool.



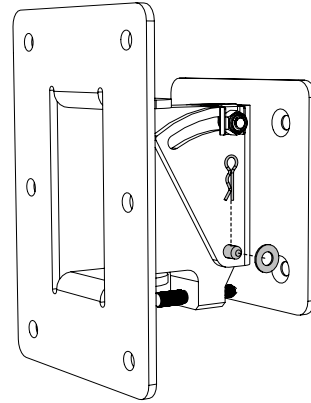
Wall Mounting Brackets (WB) Landscape.

Installation for FP6, FP8, FP12, FP15.

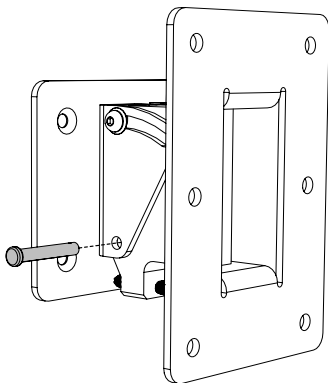
Remove the middle and lower fixings from the cabinet.



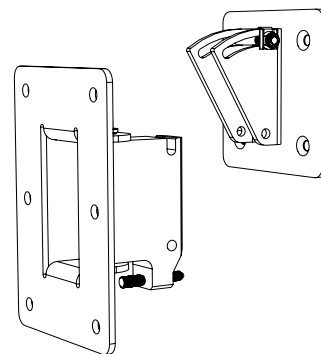
Remove the R-Clip and washer from the WB bracket.



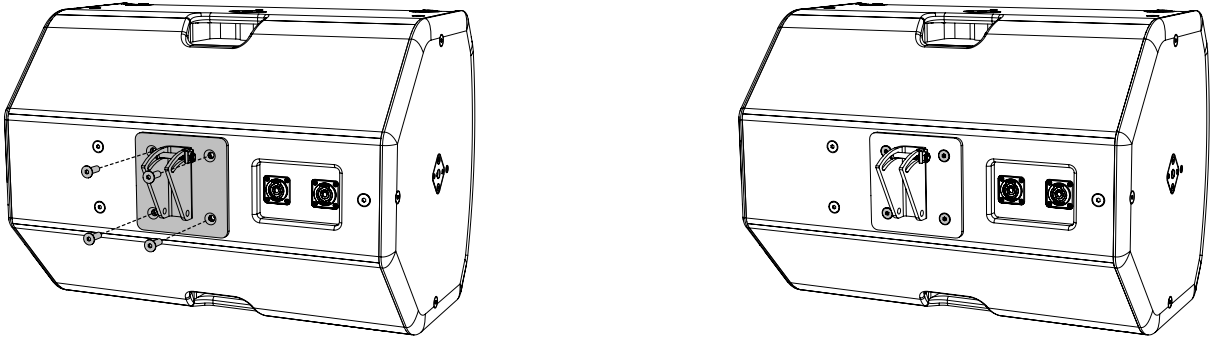
Remove the pivot pin from the WB assembly.



Separate the two parts of the WB bracket.

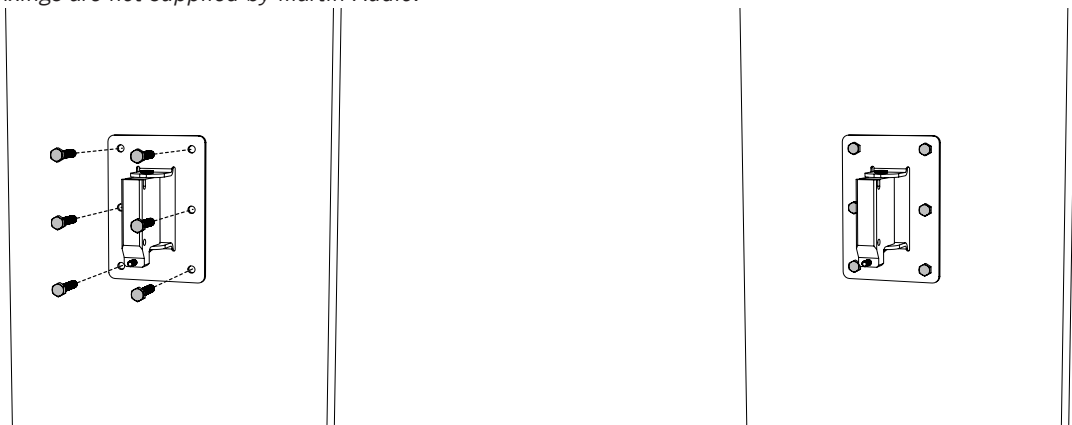


Attach the speaker part of the WB assembly to the cabinet, using the fixings that were removed from the cabinet.

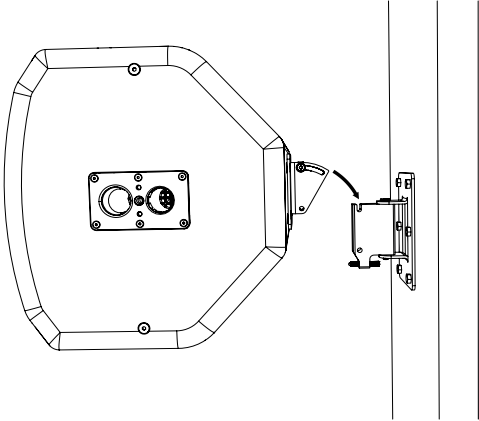


Attach the wall part of the WB assembly to a suitable structure using rated fixings.

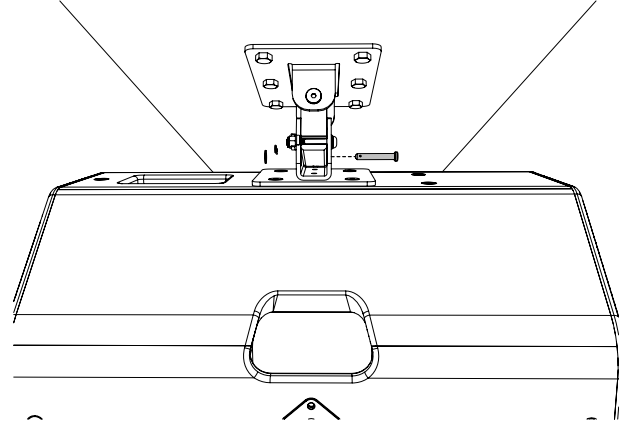
Note: These fixings are not supplied by Martin Audio.



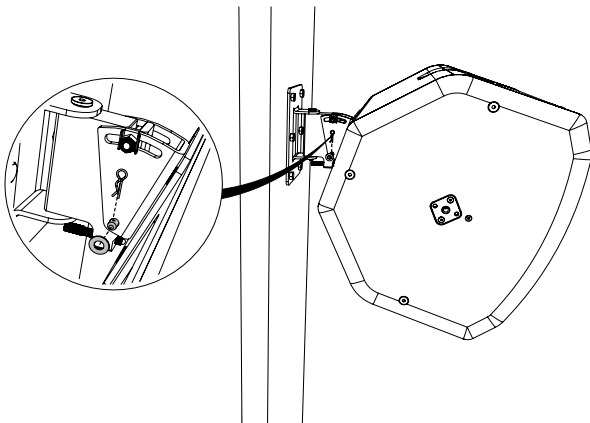
Offer the speaker up to the wall bracket and hook the horizontal bolt into the curved slot.



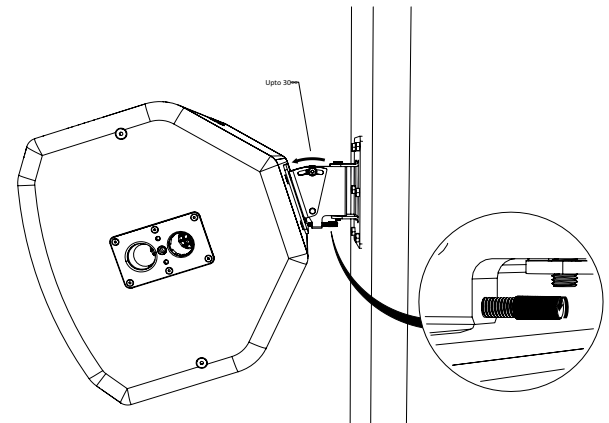
Replace the pivot pin.



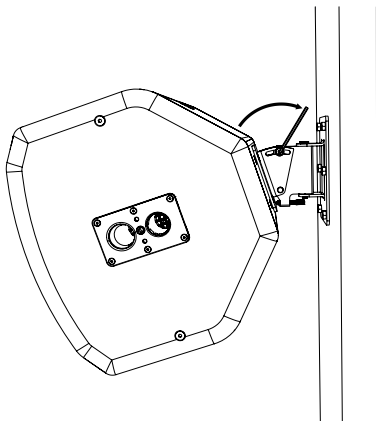
Replace the washer and R-Clip to secure the pivot pin in place.



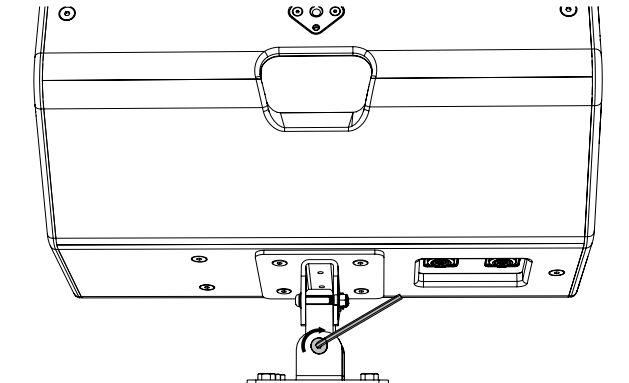
Set the desired downward tilt angle and hold in place with the grub screw.



Once the vertical angle is set tighten the top bolt with a 5mm hex tool.



Set the horizontal angle, then secure using a 5mm hex tool.



Wall bracket spacers for WB6/8 and WB10/12

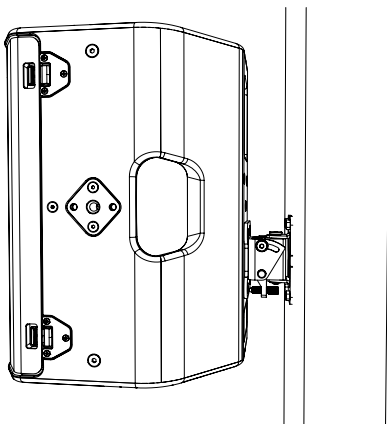
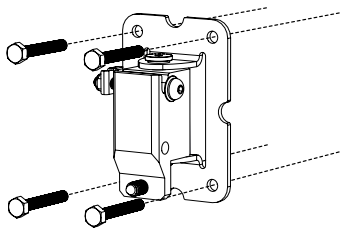
Installation for FP6, FP8 and FP12

Wall brackets WB6/8 and WB10/12 are unobtrusive and low profile, and provide a neat and professional installation. The bracket holds the speaker very close to the wall and although the maximum tilt angle is available, the horizontal panning is limited by the wall.

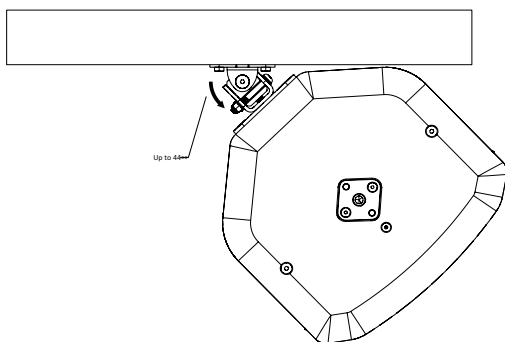
If you have the latest type of these wall brackets, you can fit spacers between the wall and the bracket. These spacers are available as an optional accessory, and allow you to increase the horizontal angle of the speaker. The spacers come in pairs allowing you to fit one or two behind each bracket. Note that the latest type of bracket has four notches in the wall section, one notch in the middle of each edge. Each spacer has four lugs that fit into these notches. If you have the previous version of these brackets, the wall section doesn't have notches, and you can't use this type of bracket with spacers.

For WB6/8, the spacers are SP6/8-B for black and SP6/8-W for white. For WB10/12, the spacers are SP10/12-B for black and SP10/12-W for white.

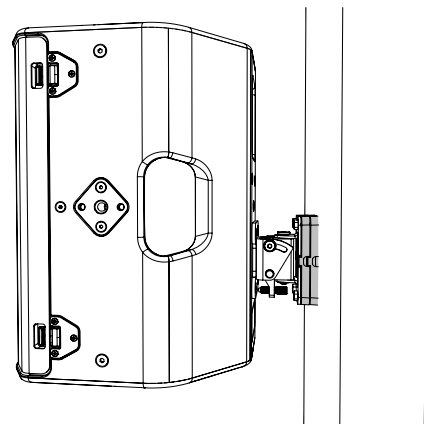
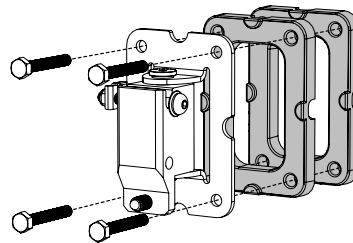
Example: FP8 in portrait and WB6/8 **without** spacers



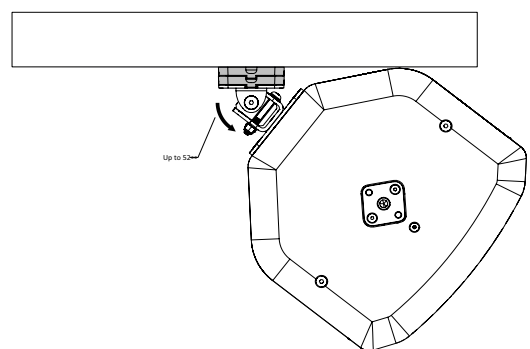
FP8 max angle without spacers: 44 degrees



Example: FP8 in portrait and WB6/8 **with** two spacers:

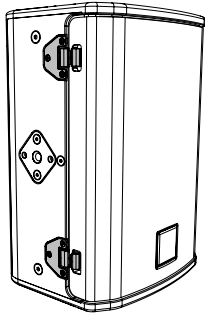


FP8 max angle with two spacers: 52 degrees

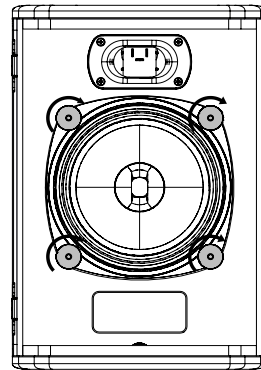


Driver Rotation FP6

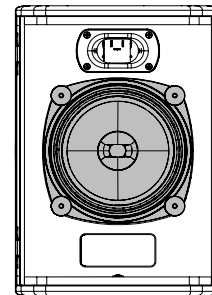
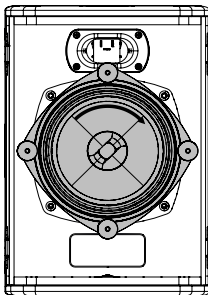
Remove the grille by pressing the quick release catches.



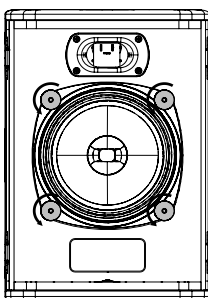
Loosen the captive driver fixings until they are completely free of the cabinet inserts.



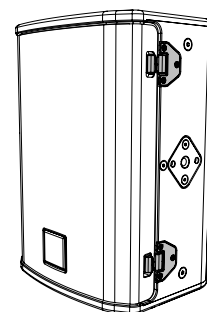
Lift the driver free of the recess in the baffle using two of the driver fixings and rotate through 90 degrees.



Tighten all thumb wheels to secure the driver.

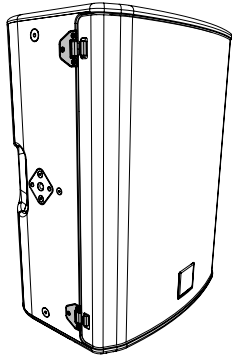


Replace the grille by lining up the grille slots and pushing into place on both sides.

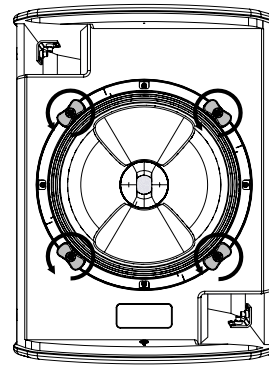


Driver Rotation FP8, FP12, FP15.

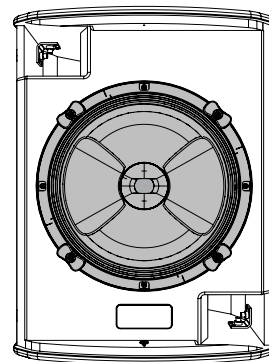
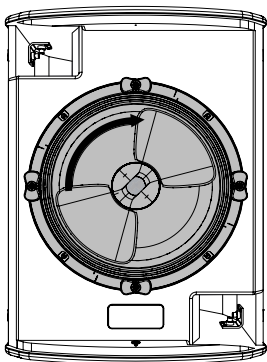
Remove the grille by pressing the quick release catches.



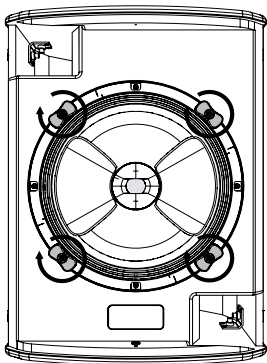
Loosen the captive driver fixings until they are completely free of the cabinet inserts.



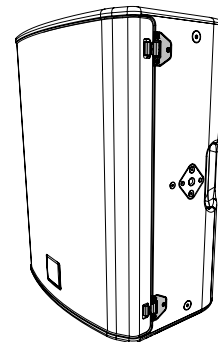
Lift the driver free of the recess in the baffle using two of the driver fixings and rotate through 90 degrees.



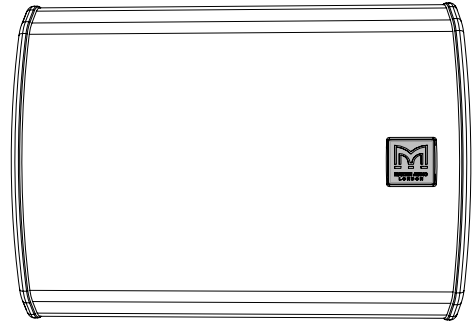
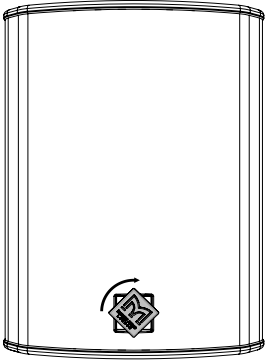
Tighten all thumb wheels to secure the driver.



Replace the grille by lining up the grille slots and pushing into place on both sides.



Pull and rotate the badge through 90 degrees for landscape deployment.



Martin Audio Limited

Century Point

Halifax Road

Cressex Business Park

High Wycombe

Buckinghamshire

HP12 3SL

England

FOR SALES ENQUIRIES:

UK

Telephone: +44 (0)1494 535312

E-mail: info@martin-audio.com

NORTH AMERICA

Telephone: 323-381-5310

martin-audio.com

All information is Copyright © 2025 Martin Audio Ltd.

Martin Audio, the Martin Audio logo are registered trademarks of Martin Audio Ltd. in the United Kingdom, United States and other countries; all other Martin Audio trademarks are the property of Martin Audio Ltd.

