

# CDDCB6/8

Ceiling bracket for CDD6, CDD8, CDD-LIVE 8 and ADORN A80T

## Features

- Optional ceiling bracket with bolt for tilt adjustment
- Weatherised for outdoor installation
- Available in black (CDDCB6/8B), white (CDDCB6/8W) and custom RAL colours
- Installs the A80T in landscape only. This affects dispersion; for details see the ADORN User Guide

## Applications

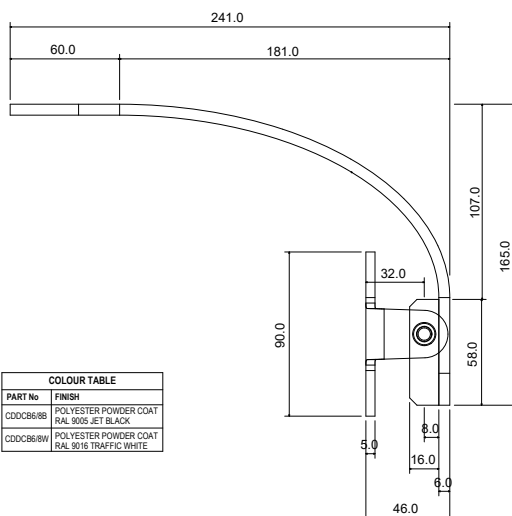
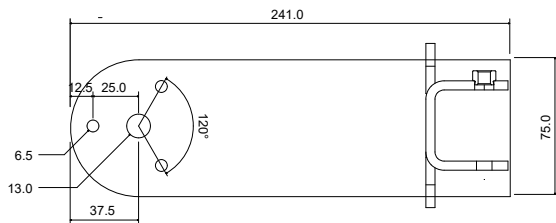
- Installation of CDD6, CDD8, CDD-LIVE 8 and ADORN A80T

## Contents

- 1 x CDDCB6/8
- 4 x M6 x 14 mm CSK screws for use with CDD-LIVE 8 only

## Technical Specifications

WEIGHT	1.52kgs
MATERIAL	Weatherised polyester powder coated steel



COLOUR TABLE	
PART No	FINISH
CDDCB6/8B	POLYESTER POWDER COAT RAL 9005 JET BLACK
CDDCB6/8W	POLYESTER POWDER COAT RAL 9016 TRAFFIC WHITE

