



KSM44MP

LARGE DIAPHRAGM MULTI-PATTERN CONDENSER MICROPHONE

OVERVIEW

Featuring selectable polar patterns (Cardioid, Omnidirectional and Bidirectional), the KSM44MP provides unparalleled versatility in a sleek, dual-diaphragm design. A precision-engineered 1" capsule delivers natural clarity and a gentle, high-frequency lift that enhances subtle details while remaining smooth. This mic is ideal for modern production styles, including airy vocal texture, subtle overtones, and delicate instrumentation. Dual-diaphragm architecture stabilizes sensitivity and pattern consistency, improving off-axis control at low frequencies for cleaner multi-mic results. An included shock mount and pop filter isolates the microphone from rumbles and vibrations and blocks out plosives. Also includes premium case, hard mount and threaded adapter for a complete accessories suite.

FEATURES

- **Selectable Polar Patterns: Cardioid, Omnidirectional and Bidirectional:** Versatility for vocalists, voiceover, instruments, stereo techniques, and ensembles. The voicing remains elegant and pristine across patterns.
- **Flat Response with Subtle High-Frequency Emphasis:** The Shure engineered 1" capsule guarantees natural clarity with a gentle high-frequency lift that enhances subtle details while remaining smooth. Ideal for modern production styles, including airy vocal texture, subtle overtones, and delicate instrumentation.
- **Optimized Polar Consistency & Low-Frequency Rejection:** Dual-diaphragm architecture stabilizes sensitivity and pattern consistency, improving off-axis control at low frequencies for cleaner multi-mic results.
- **Ultra Low Self Noise:** Supports building of clean tracks with more headroom. Capture quiet passages, add gain and compression when needed without hiss building up.
- **Sleek, Modern Design:** Low profile, lightweight all-metal design with a steel grille makes boom placement easy. Precision-machined construction highlights the golden capsule and delivers long term reliability for the studio.
- **Shock Mount + Detachable, Magnetic Pop Filter & Premium Accessory Suite:** The shock mount isolates the microphone from rumbles and vibrations and uses silicone suspension bands that are highly resistant to sagging and wear. A detachable magnetic pop filter easily snaps into place, helping reduce plosive sounds, and a premium carrying case is tailored to store the mic in its shock mount. Hard mount, threaded adapter and additional set of 8 shock mount bands also included.



KSM44MP
Large Diaphragm Multi-Pattern
Condenser Microphone

SPECIFICATIONS All information and specifications are subject to change.

Type	Condenser	
Polar Pattern	Selectable: Cardioid, Omnidirectional, Bidirectional	
Frequency Response	20 to 20,000 Hz	
Output Impedance	47 Ω +/- 5	
Sensitivity (at 1 kHz, open circuit voltage)	Cardioid -30 dBV/Pa[1] Omnidirectional -35 dBV/Pa[1] Bidirectional -35 dBV/Pa[1]	
Self-Noise	Cardioid 5 dBA Omnidirectional 7 dBA Bidirectional 8 dBA	
Signal-to-Noise Ratio	Cardioid 89 dB Omnidirectional 87 dB Bidirectional 86 dB	
Maximum SPL (1 kHz at 1% THD)	No Pad	With 15 dB Pad
	1000 Ω load	1000 Ω load
	130 dB SPL	145 dB SPL
	2500 Ω load	2500 Ω load
	135 dB SPL	150 dB SPL
	5000 Ω load	5000 Ω load
	135 dB SPL	150 dB SPL
Polarity	Positive pressure on diaphragm produces positive voltage on pin 2 with respect to pin 3	
Connector	Three-pin professional audio (XLR), male	
Net Weight	295 g	
Housing	Machined, anodized aluminum alloy	
Power Requirements	48 V DC phantom power (5.9 mA), IEC 61938, P48	

AVAILABLE MODELS

KSM44MP	Microphone, case, shock mount, magnetic pop filter, hard mount, threaded adapter
----------------	--

OPTIONAL ACCESSORIES AND REPLACEMENT PARTS

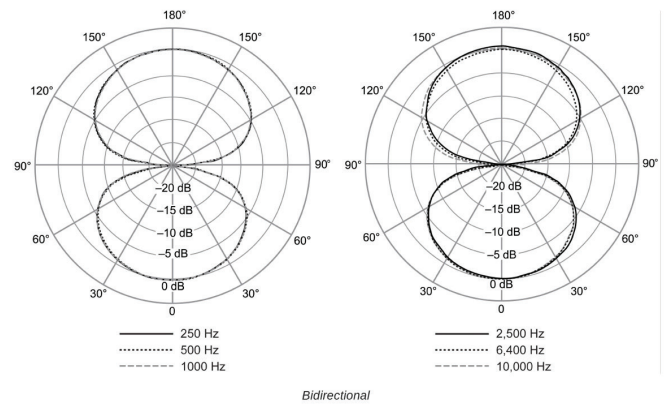
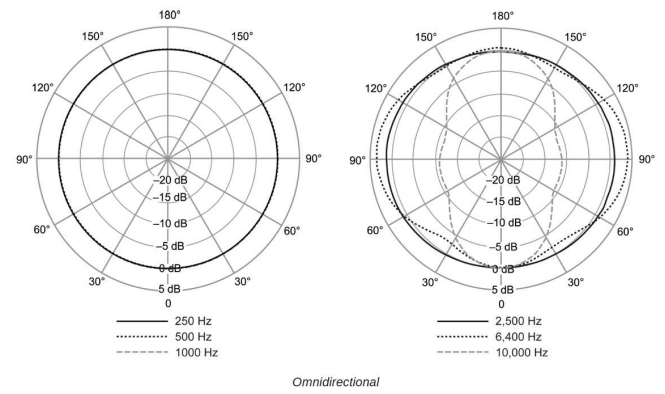
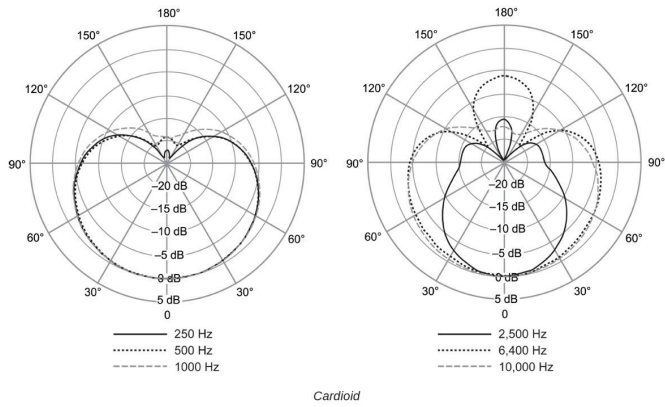
AKSM40/44-CASE	Case for KSM40C and KSM44MP
A4M	Swivel-Mount Microphone Clamp
A4PF	Magnetic pop filter
AKSMEB	Elastic bands for KSM mic shock mounts
31B1856	Brass adapter



KSM44MP
Large Diaphragm Multi-Pattern
Condenser Microphone

Included accessories: case, shock mount, magnetic pop filter, hard mount, threaded adapter

POLAR PATTERN



FREQUENCY RESPONSE

