

KSM40C

LARGE DIAPHRAGM CARDIOID CONDENSER MICROPHONE



OVERVIEW

Featuring a precision engineered 1" capsule, the KSM40C delivers natural, detailed audio with rich low-end, and high frequency detail that sits beautifully in a mix without brightness or harshness. A proprietary backplate design controls diaphragm behavior to eliminate sharp resonances. The uniform cardioid polar pattern focuses the source while minimizing room and bleed, making placement fast and predictable in multi-mic sessions or less than ideal spaces, and smooth proximity effect gives more creative control. An included shock mount and pop filter isolates the microphone from rumbles and vibrations and blocks out plosives. Also includes hard mount, premium case and threaded adapter. Ideal for capturing rich nuances in vocals and instruments including upright bass, guitar amps and kick drum.

FEATURES

- **1" Capsule Delivers Natural, Detailed Audio with Rich Low-End:** Precision engineered 1" capsule delivers smooth, high frequency detail that sits beautifully in a mix without brightness or harshness. A proprietary backplate design controls diaphragm behavior to eliminate sharp resonances.
- **Uniform Cardioid Polar Pattern for Predictable Placement:** Focuses on the source while minimizing room and bleed, making placement fast and predictable in multi-mic sessions or less than ideal spaces. The smooth proximity effect gives more creative control: move closer for a larger-than-life sound or pull back for a more neutral tone.
- **Extremely Low Self-Noise:** Supports building of clean tracks with more headroom. Capture quiet passages, add gain and compression when needed without hiss building up.
- **Sleek, Modern Design with Premium Materials:** Lightweight, aluminum construction adds durability while keeping the mic intentionally lighter for easier placement on boom stands. Precision-machined steel grille showcases the mic's gold-layered capsule.
- **Shock Mount + Pop Filter & Accessory Suite:** The included shock mount and detachable pop filter dampen undesired noises including rumbles, vibrations and plosive "pop" sounds. Premium carrying case tailored to store the mic in its shock mount. Threaded adapter and additional set of 8 shock mount bands also included.



KSM40C
Large Diaphragm Cardioid
Condenser Microphone

SPECIFICATIONS

All information and specifications are subject to change.

Type	Condenser	
Polar Pattern	Cardioid	
Frequency Response	20 to 20,000 Hz	
Output Impedance	70 Ω +/- 5	
Sensitivity (at 1 kHz, open circuit voltage)	-33.5 dBV/Pa [1] (21 mV)	
Self-Noise	7.5 dBA	
Signal-to-Noise Ratio	86.5 dB	With 15 dB Pad
	No Pad	1000 Ω load 149 dB SPL 2500 Ω load 153 dB SPL 5000 Ω load 153 dB SPL 138 dB SPL
Maximum SPL (1 kHz at 1% THD)	134 dB SPL	1000 Ω load 149 dB SPL 2500 Ω load 153 dB SPL 5000 Ω load 153 dB SPL 138 dB SPL
	138 dB SPL	5000 Ω load 153 dB SPL 138 dB SPL
Polarity	Positive pressure on diaphragm produces positive voltage on pin 2 with respect to pin 3	
Connector	Three-pin professional audio (XLR), male, balanced	
Net Weight	285 g (10.1 oz.)	
Housing	Machined, anodized aluminum alloy	
Power Requirements	48 V DC phantom power (5.6 mA), IEC standard 61938, P48	



KSM40C
Large Diaphragm Cardioid
Condenser Microphone

Included accessories: case, shock mount, magnetic pop filter, threaded adapter

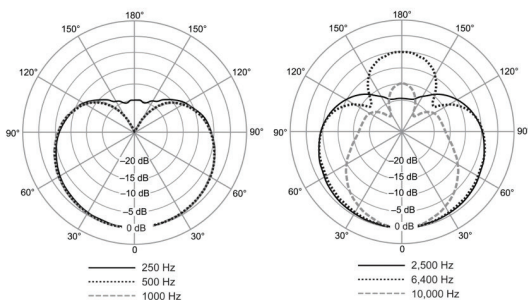
AVAILABLE MODELS

KSM40C	Microphone, case, shock mount, magnetic pop filter, threaded adapter
--------	--

OPTIONAL ACCESSORIES AND REPLACEMENT PARTS

AKSM40/44-CASE	Case for KSM40C and KSM44MP
A4M	Swivel-Mount Microphone Clamp
A4PF	Magnetic pop filter
AKSMEB	Elastic bands for KSM mic shock mounts
31B1856	Brass adapter

POLAR PATTERN



FREQUENCY RESPONSE

