

LOGIC Graze S

Quick Reference Guide

English	EN
Español	ES
Français	FR
Deutsch	DE
Nederlands	NL



Model ID: LOGICGZS

ILUMINARC®

About This Guide

The LQGIC Graze S Quick Reference Guide (QRG) has product information such as mounting, menu options, and DMX values. Download the User Manual for the LQGIC Drive 2X from www.iluminarc.com for more details.

Disclaimer

The information and specifications contained in this QRG are subject to change without notice.

LIMITED WARRANTY

FOR WARRANTY REGISTRATION AND COMPLETE TERMS AND CONDITIONS PLEASE VISIT OUR WEBSITE.

For Customers in the United States and Mexico: www.iluminarc.com/warranty-registration-architectural-lighting.

For Customers in the United Kingdom, Republic of Ireland, Belgium, the Netherlands, Luxembourg, France, and Germany: www.iluminarc.com/warranty-registration-architectural-lighting.

Chauvet warrants that this product shall be free from defects in material and workmanship under normal use, for the period specified in, and subject to the exclusions and limitations set forth in the full limited warranty on our website. This warranty extends only to the original purchaser of the product and is not transferable. To exercise rights under this warranty, you must provide proof of purchase in the form of an original sales receipt from an authorized dealer that shows the product name and date of purchase. THERE ARE NO OTHER EXPRESS OR IMPLIED WARRANTIES. This warranty gives you specific legal rights. You may also have other rights that vary from state to state and country to country. This warranty is valid only in the United States, United Kingdom, Republic of Ireland, Belgium, the Netherlands, Luxembourg, France, Germany and Mexico. For warranty terms in other countries, please consult your local distributor.

Safety Notes

These Safety Notes include important information about installation, use, and maintenance.

- The luminaire should be positioned so that prolonged staring into the luminaire at a distance closer than 3.3 ft (1m) is not expected.
- If the external flexible cable or cord of this luminaire is damaged, it shall be replaced with a special cable or cord exclusively available from the manufacturer or its service agent.
- The light source contained in this luminaire shall only be replaced by the manufacturer, its service agent, or a similarly qualified person.
- The luminaire is intended for professional use only.
- DO NOT open this product. It contains no user-serviceable parts.
- DO NOT look at the light source when the product is on.
- CAUTION: When transferring product from extreme temperature environments, (e.g. cold truck to warm humid ballroom) condensation may form on the internal electronics of the product. To avoid causing a failure, allow product to fully acclimate to the surrounding environment before connecting it to power.
- CAUTION: This product's housing may be hot when lights are operating.
- Mount this product in a location with adequate ventilation, at least 20 in (50 cm) from adjacent surfaces.
- DO NOT leave any flammable material within 11.8 in (30 cm) of this product while operating or connected to power.
- DO NOT operate this product outdoors or in any location where dust, excessive heat, water, or humidity may affect it. (IP20)
- DO NOT operate this product if the housing, lenses, or cables appear damaged.
- ONLY connect this product to IEEE 802.3bt POE power source equipment (PSE).
- ONLY connect this product to a grounded and protected circuit.
- In the event of a serious operating problem, stop using immediately.
- The startup temperature range is -4 °F to 113 °F (-20 °C to 45 °C). Do not start the product outside this range.
- The operating temperature range is -4 °F to 113 °F (-20 °C to 45 °C). Do not operate the product outside this range.
- The storage temperature range is -40 °F to 167 °F (-40 °C to 75 °C). Do not store the product outside this range.

FCC Compliance

This device complies with Part 15 Part B of the FCC Rules. Operations is subject to the following two conditions:

1. This device may not cause harmful interference, and
2. This device must accept any interference received, including interference that may cause undesired operation.

Any changes or modifications not expressly approved by the party responsible for compliance could void the user's authority to operate the equipment.

Contact

Outside the U.S., U.K., Ireland, Benelux, France, Germany, or Mexico, contact your distributor to request support or return a product. Refer to [Contact Us](#) at the end of this QRG for contact information.

What is Included

- LQGIC Graze S
- Quick Reference Guide
- Very Wide filter

DC Power

This product is powered by the LQGIC Drive 2X with a CAT6 connection of 52-56 VDC. Download the User Manual for the LQGIC Drive 2X from www.iluminarc.com for more details.

Power Linking

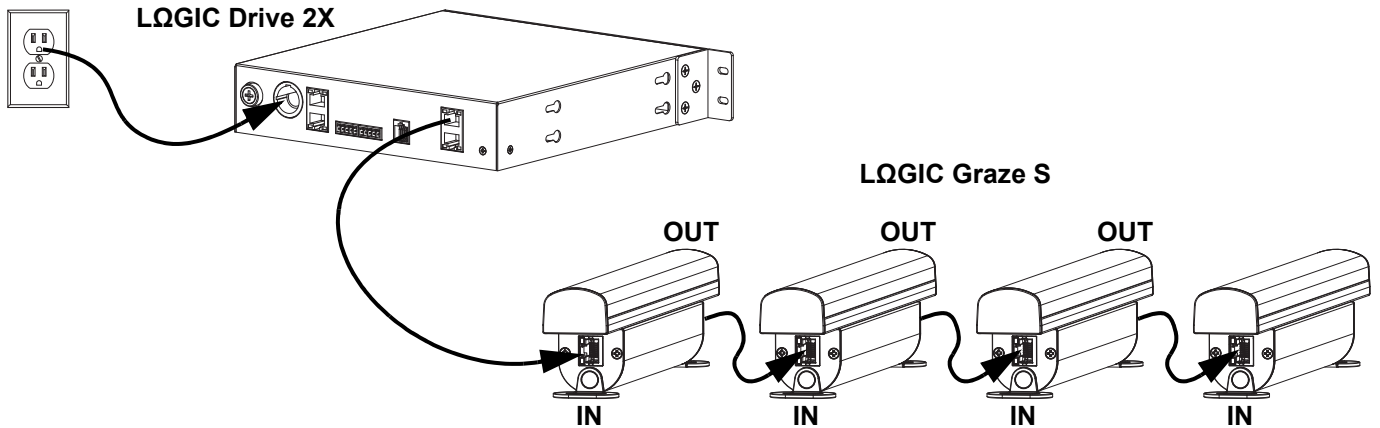
It is possible to link up to 6 LQGIC Graze S products from one output of the LQGIC Drive 2X.

Signal Linking

The LQGIC Graze S will receive a control signal (DMX, RDM, Art-Net™, or sACN) from the LQGIC Drive 2X via a CAT6 connection.

Connecting and Cabling

The LQGIC Graze S has an IN port and an OUT port which require a CAT6/A ethernet connection.

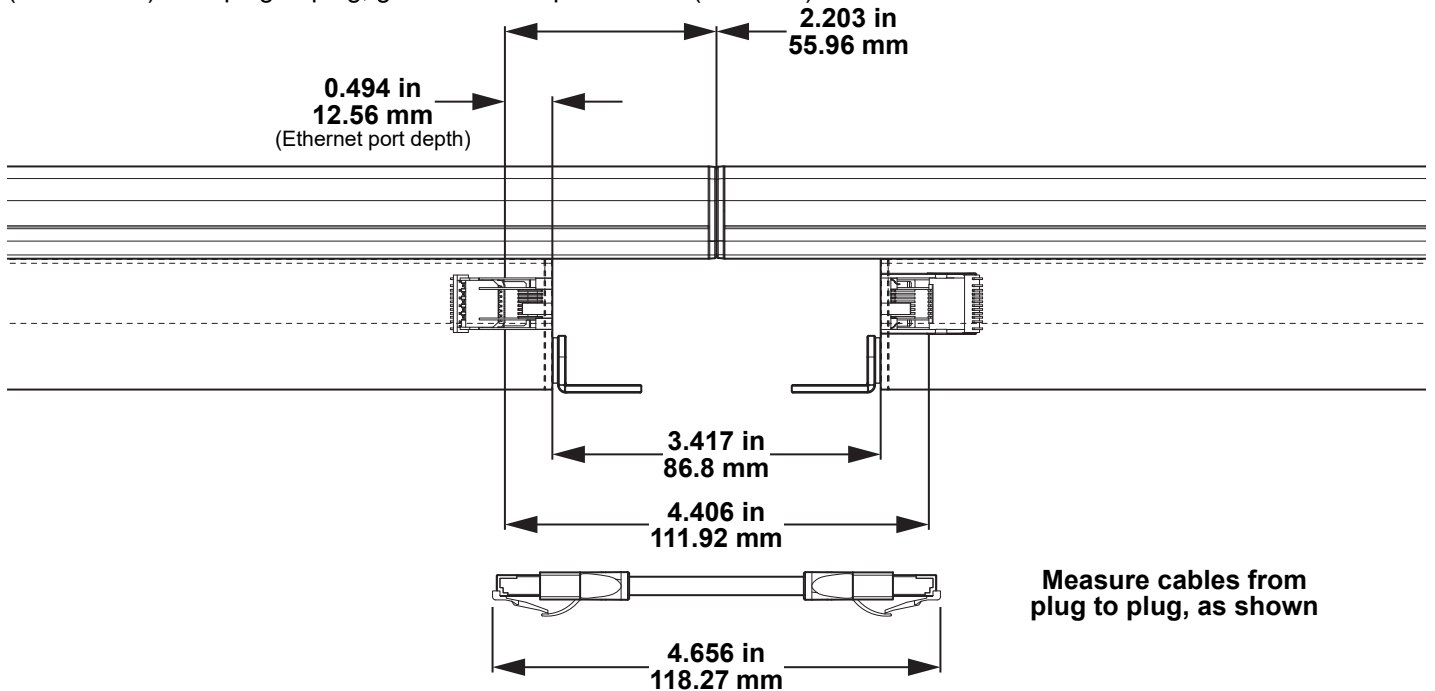


Cable requirements: ≥ 23 AWG (≥ 0.5733 mm) solid copper wire shielded CAT6/A, terminated with RJ45 connectors.

- Stranded conductors not supported
- Total Max Cable Length (LQGIC Drive 2X to first fixture): ≤ 100 m / 328 ft
- Total Max Cable Length (LQGIC Drive 2X to last fixture): ≤ 140 m / 460 ft
- Total Max Cable Length (first fixture to last fixture): ≤ 40 m / 131 ft

Patch Cable Guide

LQGIC Graze S products mounted end-to-end can be connected by a CAT6 patch cable as short as 4.656 in (118.27 mm) from plug to plug, give or take a quarter inch (6.35 mm).



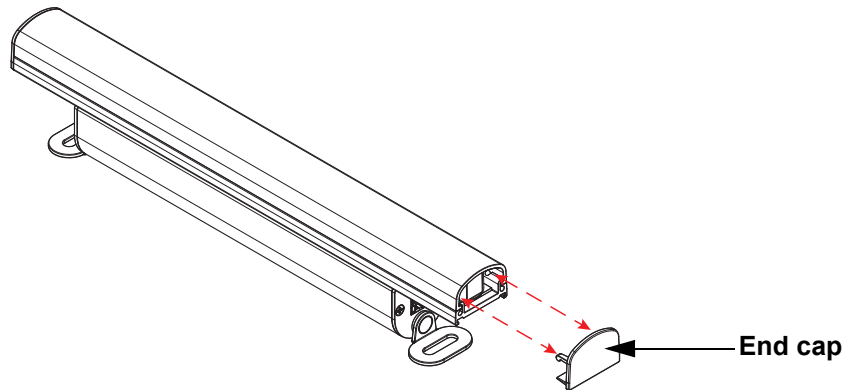
Measure cables from plug to plug, as shown



Cable length tolerances between manufacturers vary. Always verify that cables are a suitable length before installing.

Filters

The LQGIC Graze S comes with a Very Wide filter which may be installed or uninstalled by removing one of the end caps and sliding the filter in or out between the outer housing and the LED lenses. This should be done without tools.



The Very Wide filter is flexible, and must be bent in order to be installed.



WARNING: The use of tools in removing or installing the end caps may cause damage to the product.

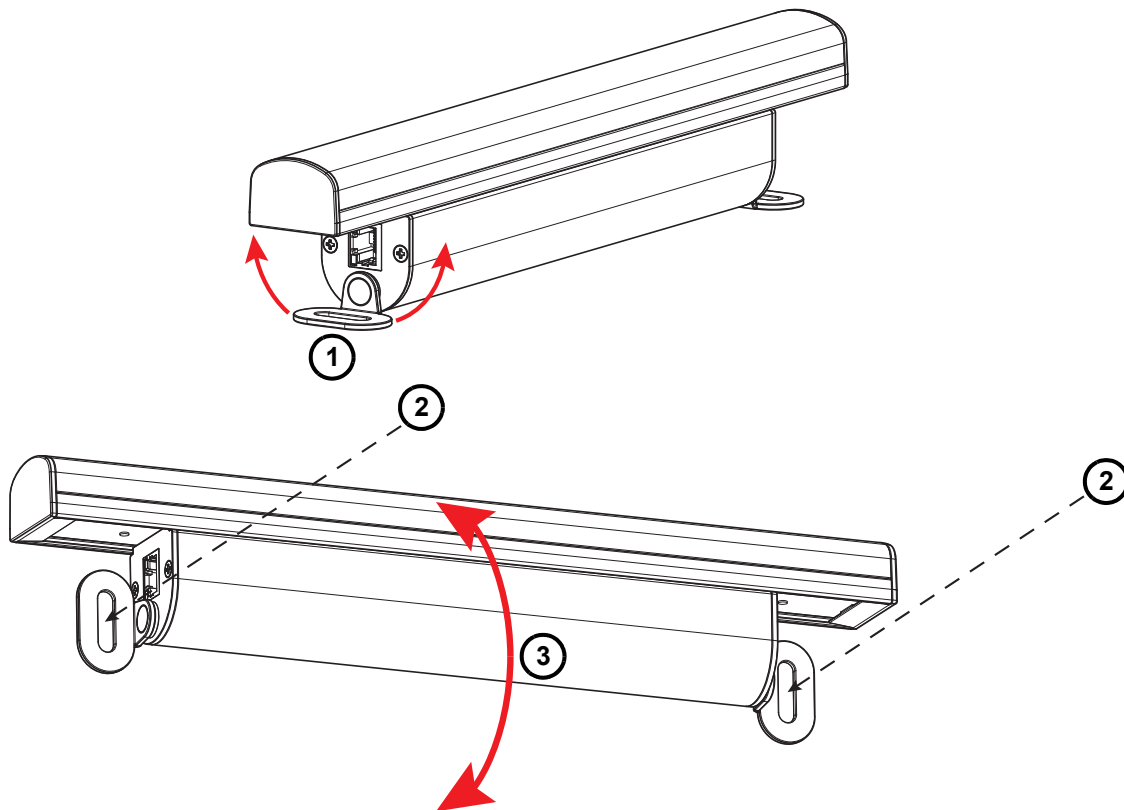
Mounting

Before mounting this product, read the [Safety Notes](#). Make sure the mounting surface and hardware are capable of supporting the weight of the product.

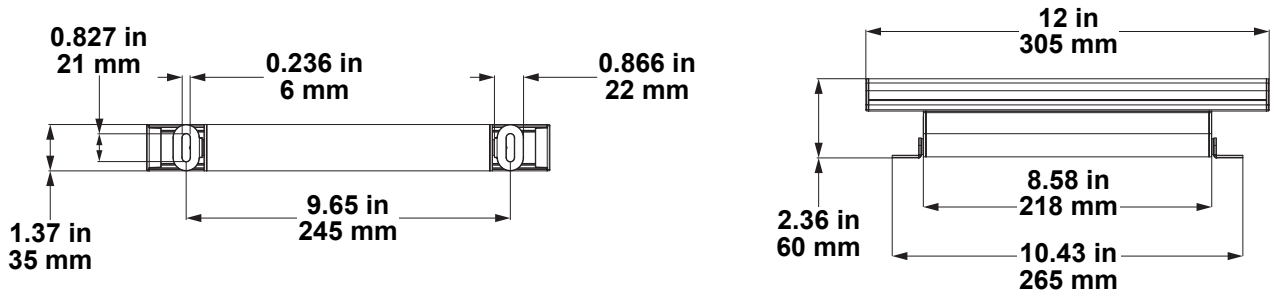
To mount the LQGIC Graze S in any orientation (up light, down light, or side light):

1. Rotate the integrated mounting brackets so they are not blocked by the body of the product.
2. Secure the brackets to the mounting surface with M5, #10-32, or #12-24 screws or bolts.
3. Angle the body of the product as desired.

Mounting Diagram



Product Dimensions



Menu Map

Access the LQGIC Graze S menu through the LQGIC Drive 2X **Linked Fixtures** menu.

Refer to the LQGIC Graze S and LQGIC Drive 2X product pages on www.iluminarc.com for the latest menu maps.

Main Level	Programming Levels		Description
Dmx Address	001–512		Selects DMX address
Personality	RED		1-channel: dimmer (red only)
	GREEN		1-channel: dimmer (green only)
	BLUE		1-channel: dimmer (blue only)
	WHITE		1-channel: dimmer (white only)
	TW		2-channel, Tunable White: dimmer, color temperature
	RGB		3-channel: RGB control
	RGBW		4-channel: RGBW control
	RGBW+D		5-channel: dimmer, RGBW control
Network	Net Switch	2.X.X.X	Selects the first value of the IP address
		10.X.X.X	
Local Info	Universe	000–255 / 001–256 (Art-Net™) (sACN)	Selects universe
	Version	V _._._	Shows current firmware version
Factory Reset	IP Address	_._._. _._._	Shows the IP address
	Fixture Hours	_ hours	Shows length of time product has been on
	Label	_ _ _ _ _	Shows product label
	Device UID	_ _ _ _ _ - _ _ _ _ _	Shows device UID
	MAC Address	_ _ _ _ _ - _ _ _ _ _	Shows the MAC address
	Temperature	_ _ _ °C	Shows the current temperature in °C
Factory Reset	No		Resets to factory default settings
	Yes		

QUICK REFERENCE GUIDE

EN

ILUMINARC

RDM Chart

Refer to the LQGIC Graze S product page on www.iluminarc.com for the latest RDM chart.

GET	SET	Category	RDM Parameter IDs (Slot 21-22)	Value	Required	Detail
		Network Management	DISC_UNIQUE_BRANCH	0x0001	✓	
			DISC_MUTE	0x0002	✓	
			DISC_UN_MUTE	0x0003	✓	
✓		RDM Information	QUEUED_MESSAGE	0x0020		
✓			SUPPORTED_PARAMETERS	0x0050	✓	IDENTIFY_DEVICE, DEVICE_INFO, SOFTWARE_VERSION_LABEL, SUPPORTED_PARAMETERS, DMX_START_ADDRESS, DEVICE_MODEL_DESCRIPTION, MANUFACTURER_LABEL, DEVICE_LABEL, DMX_PERSONALITY, PERSONALITY_DESCRIPTION, SENSOR_DEFINITION, SENSOR_VALUE
✓			PARAMETER_DESCRIPTION	0x0051	✓	
✓		Product Information	DEVICE_INFO	0x0060	✓	1, RDM Protocol Version: V1.0; 2, Device_Mode_ID: 0x1732; 3, Product Category Defines: PRODUCT_CATEGORY_FIXTURE_FIXED; 4, Software Version ID; 5, DMX512 Footprint; 6, DMX512 Personality; 7, DMX512 Start Address; 8, Sensor Count;
			PRODUCT_DETAIL_ID_LIST	0x0070		
✓			DEVICE_MODEL_DESCRIPTION	0x0080		LOGICGZS
✓			MANUFACTURER_LABEL	0x0081		ILUMINARC
✓	✓		DEVICE_LABEL	0x0082		LOGICGZS
✓			SOFTWARE_VERSION_LABEL	0x00C0	✓	V_._
✓	✓		FACTORY_DEFAULTS			FACTORY_DEFAULTS : yes
✓	✓	DMX Setup	DMX_PERSONALITY	0x00E0		9pcs persons
✓			DMX_PERSONALITY_DESCRIPTION	0x00E1		RED/1CH, GREEN/1CH, BLUE/1CH, WHITE/1CH, TW/2CH, RGB/3CH, RGBW/4CH, RGBW+D/5CH, FULL/10CH
✓	✓		DMX_START_ADDRESS	0x00F0	✓	1-503
✓		Sensors	SENSOR_DEFINITION	0x0200		0.) Product Temperature __ °C
✓			SENSOR_VALUE	0x0201		—20° —100°
✓	✓	Control	IDENTIFY_DEVICE	0x1000	✓	Identify State: Off

QUICK REFERENCE GUIDE

ILUMINARC

EN

DMX Values

FULL (10 Channels)

Channel	Function	Value	Percent/Setting
1	Dimmer	000 ⇔ 255	0–100%
2	Red	000 ⇔ 255	0–100%
3	Green	000 ⇔ 255	0–100%
4	Blue	000 ⇔ 255	0–100%
5	White	000 ⇔ 255	0–100%
6	Color temperature	000 ⇔ 010	No function
		011 ⇔ 020	1800K
		021 ⇔ 030	2200K
		031 ⇔ 040	2700K
		041 ⇔ 050	3000K
		051 ⇔ 060	3200K
		061 ⇔ 070	4000K
		071 ⇔ 080	4500K
		081 ⇔ 090	5000K
		091 ⇔ 100	5600K
		101 ⇔ 110	6000K
		111 ⇔ 120	6500K
		121 ⇔ 130	7000K
		131 ⇔ 140	8000K
		141 ⇔ 150	10000K
151 ⇔ 255	No function		
7	Strobe	000 ⇔ 009	No function
		010 ⇔ 099	Strobe, 0–25 Hz
		100 ⇔ 109	No function
		110 ⇔ 179	Lightning strobe, slow to fast
		180 ⇔ 189	No function
		190 ⇔ 255	Random strobe, slow to fast
8	Auto programs	000 ⇔ 040	No function
		041 ⇔ 050	Automatic program 1
		051 ⇔ 060	Automatic program 2
		061 ⇔ 070	Automatic program 3
		071 ⇔ 080	Automatic program 4
		081 ⇔ 090	Automatic program 5
		091 ⇔ 100	Automatic program 6
		101 ⇔ 110	Automatic program 7
		111 ⇔ 120	Automatic program 8
		121 ⇔ 130	Automatic program 9
		131 ⇔ 140	Automatic program 10
141 ⇔ 255	No function		
9	Auto program speed	000 ⇔ 255	Automatic program speed, slow to fast
10	Dimmer speed	000 ⇔ 009	No function
		010 ⇔ 129	Dimmer curve on
		130 ⇔ 255	Dimmer curve off

QUICK REFERENCE GUIDE

EN

ILUMINARC

RGBW+D (5 Channels)

Channel	Function	Value	Percent/Setting
1	Dimmer	000 ⇔ 255	0–100%
2	Red	000 ⇔ 255	0–100%
3	Green	000 ⇔ 255	0–100%
4	Blue	000 ⇔ 255	0–100%
5	White	000 ⇔ 255	0–100%

RGBW (4 Channels)

Channel	Function	Value	Percent/Setting
1	Red	000 ⇔ 255	0–100%
2	Green	000 ⇔ 255	0–100%
3	Blue	000 ⇔ 255	0–100%
4	White	000 ⇔ 255	0–100%

RGB (3 Channels)

Channel	Function	Value	Percent/Setting
1	Red	000 ⇔ 255	0–100%
2	Green	000 ⇔ 255	0–100%
3	Blue	000 ⇔ 255	0–100%

TW (Tunable White: 2 Channels)

Channel	Function	Value	Percent/Setting
1	Dimmer	000 ⇔ 255	0–100%
2	Color temperature	000 ⇔ 010	No function
		011 ⇔ 020	1800K
		021 ⇔ 030	2200K
		031 ⇔ 040	2700K
		041 ⇔ 050	3000K
		051 ⇔ 060	3200K
		061 ⇔ 070	4000K
		071 ⇔ 080	4500K
		081 ⇔ 090	5000K
		091 ⇔ 100	5600K
		101 ⇔ 110	6000K
		111 ⇔ 120	6500K
		121 ⇔ 130	7000K
		131 ⇔ 140	8000K
		141 ⇔ 150	10000K
151 ⇔ 255	No function		

WHITE (1 Channel)

Channel	Function	Value	Percent/Setting
1	Dimmer	000 ⇔ 255	White only, 0–100%

BLUE (1 Channel)

Channel	Function	Value	Percent/Setting
1	Dimmer	000 ⇔ 255	Blue only, 0–100%

GREEN (1 Channel)

Channel	Function	Value	Percent/Setting
1	Dimmer	000 ⇔ 255	Green only, 0–100%

QUICK REFERENCE GUIDE

ILUMINARC

EN

RED (1 Channel)

Channel	Function	Value	Percent/Setting
1	Dimmer	000 ⇔ 255	Red only, 0–100%

Technical Specifications

Dimensions and Weight

Length	Width	Height	Weight
12 in (305 mm)	1.37 in (35 mm)	2.36 in (60 mm)	1.1 lb (0.5 kg)

Note: Dimensions in inches are rounded.

Power

Power Source	Input Voltage	Voltage Selection
Power Over Ethernet	52-56 VDC	Fixed

Single Fixture Power	Total Linking Power per Port/POE1	Power Linking
12.5 W via POE	75 W via POE	6 products per port/POE injector

Power I/O	U.S./Worldwide	UK/Europe
Power input connector	Ethernet RJ45	Ethernet RJ45
Power output connector	Ethernet RJ45	Ethernet RJ45
Cable type (required)	CAT6	CAT6

Light Source

Type	Color	Quantity	Power	Current	Lifespan
LED	RGBW	9	2.5 W	870 mA	50,000 hours

Photometrics

Filter	Beam Angle	Field Angle	Cutoff Angle	Illuminance @ 5 m
Open optics	121.4° x 120.5°	142.3° x 164.1°	150.2°	10 lux
Medium (pre-installed)	29° x 41.3°	59.7° x 82.2°	100.1°	43 lux
Very Wide (included)	46.1° x 50.5°	166.1° x 149.3°	253.9°	11 lux

Cabling

Required Cable Type	Required Conductor Diameter	Required Conductor Material	Cable Termination
CAT6/A, Shielded	≥23 AWG (≥0.5733 mm)	Solid bare copper wire (stranded not supported)	RJ45, T568B standard

Recommended Cable	Total Max Cable Length (Drive 2X to First Fixture)	Total Max Cable Length (Drive 2X to Last Fixture)	Total Max Cable Length (First Fixture to Last Fixture)
Belden 2413F, 2412F, or equivalent	328 ft (100 m)	460 ft (140 m)	131 ft (40 m)

Thermal

Ambient Temperature Range	Cooling
-4 °F to 113 °F (-20 °C to 45 °C)	Convection

Ordering

Product Name	Item Name	Item Code	UPC Number
LQIC Graze S	LOGICGZS	1541733	781462220815

Acerca de Esta Guía

La Guía de Referencia Rápida (GRR) del LQGIC Graze S contiene información sobre el producto, como montaje, opciones de menú y valores DMX. Descargue el Manual de Usuario del LQGIC Drive 2X de www.iluminarc.com para información más detallada.

Exención de Responsabilidad

La información y especificaciones contenidas en esta GRR están sujetas a cambio sin previo aviso.

GARANTÍA LIMITADA

PARA VER EL REGISTRO DE GARANTÍA Y LOS TÉRMINOS Y CONDICIONES COMPLETOS, VISITE NUESTRO SITIO WEB.

Para clientes en los Estados Unidos y México: www.iluminarc.com/warranty-registration-architectural-lighting.

Para clientes en Reino Unido, República de Irlanda, Bélgica, Países Bajos, Luxemburgo, Francia y Alemania: www.iluminarc.com/warranty-registration-architectural-lighting.

Chauvet garantiza que este producto estará libre de defectos de material y mano de obra en condiciones de uso normales, durante el periodo especificado, sujeto siempre a las exclusiones y limitaciones establecidas en la garantía limitada completa de nuestro sitio web. Esta garantía se concede únicamente al comprador original del producto y no es transferible. Para ejercer los derechos que otorga esta garantía, usted debe proporcionar una prueba de compra en forma de un recibo de compra original, expedido por un distribuidor autorizado, donde figure el nombre del producto y la fecha de compra. **NO EXISTEN OTRAS GARANTÍAS EXPRESAS NI IMPLÍCITAS.** Esta garantía le otorga derechos legales específicos. Es posible que a usted le asistan otros derechos, que variarán dependiendo del estado o del país. Esta garantía solamente es válida en los Estados Unidos, Reino Unido, República de Irlanda, Bélgica, Países Bajos, Luxemburgo, Francia, Alemania y México. Para conocer los términos de garantía en otros países, consulte a su distribuidor local.

Notas de Seguridad

- La luminaria debe colocarse de forma que no sea previsible que se mire fijamente hacia ella a una distancia menor de 3,3' (1 m).
- Si se daña el cable externo flexible de esta luminaria, se sustituirá con un cable especial o con un cable disponible exclusivamente a través del fabricante o de su agente de servicio técnico.
- Solo el fabricante, su agente de servicio o un técnico de similar cualificación podrán reemplazar la fuente de luz contenida en esta luminaria.
- La luminaria está destinada exclusivamente a un uso profesional.
- NO abra este producto. No contiene piezas reparables por el usuario.
- NO mire a la fuente de luz cuando el producto esté encendido.
- Cuidado: cuando transfiera el producto desde ambientes con temperatura extrema (p. ej., del remolque frío de un camión a una sala de baile con calor y humedad), puede formarse condensación en la electrónica interna del producto. Para evitar que se produzca una avería, deje que el producto se aclimate completamente al ambiente antes de conectar la alimentación.
- CUIDADO: La carcasa de este producto está caliente cuando las luces están en funcionamiento.
- Monte este producto en una ubicación con ventilación adecuada, al menos a 20" (50 cm) de superficies adyacentes.
- NO deje ningún material inflamable a menos de 11.8" (30 cm) de este producto mientras esté funcionando o conectado a la alimentación.
- NO ponga en funcionamiento este producto en el exterior o en cualquier ubicación en la que el polvo, calor excesivo, agua o humedad puedan afectarlo. (IP20)
- NO ponga en funcionamiento este producto si sospecha que la carcasa, lentes o cables están dañados.
- NO conecte este producto a un atenuador o reostato.
- Conecte este producto a un equipo con fuente de alimentación (PSE) PoE IEEE 802.3bt.
- En caso de un problema grave de funcionamiento, deje de usarlo inmediatamente.
- El rango de temperatura de inicio es de -4 °F a 113 °F (-20 °C a 45 °C). No inicie el producto fuera de este rango.
- El rango de temperatura de funcionamiento es de -40 °F a 113 °F (-40 °C a 45 °C). No utilice el producto fuera de este rango.
- El rango de temperatura de almacenamiento es de -40 °F a 167 °F (-40 °C a 75 °C). No almacene el producto fuera de este rango.

Cumplimiento de la FCC

Este dispositivo cumple la parte 15, parte B de las normas FCC. El funcionamiento está supeditado al cumplimiento de estas dos condiciones:

1. Este dispositivo no puede causar interferencias perjudiciales; y
2. Este dispositivo debe aceptar cualquier interferencia recibida, incluyendo las interferencias que puedan causar un funcionamiento no deseado.

Cualquier cambio o modificación que no haya sido expresamente autorizado por la parte responsable de conformidad puede anular la potestad del usuario para hacer funcionar el equipo.

Contacto

Fuera de EE. UU., Reino Unido, Irlanda, Benelux, Francia, Alemania o México póngase en contacto con su distribuidor para solicitar asistencia o devolver un producto. Consulte [Contact Us](#) al final de este GRR para información de contacto.

Qué va Incluido

- LQGIC Graze S
- Guía de Referencia Rápida
- Filtro "Very Wide" (muy amplio)

Alimentación CC

Este producto recibe la alimentación del LQGIC Drive 2X a través de una conexión CAT6 de 52 V CC. Descargue el manual de usuario del LQGIC Drive 2X de www.iluminarc.com para una información más detallada.

Alimentación en cadena

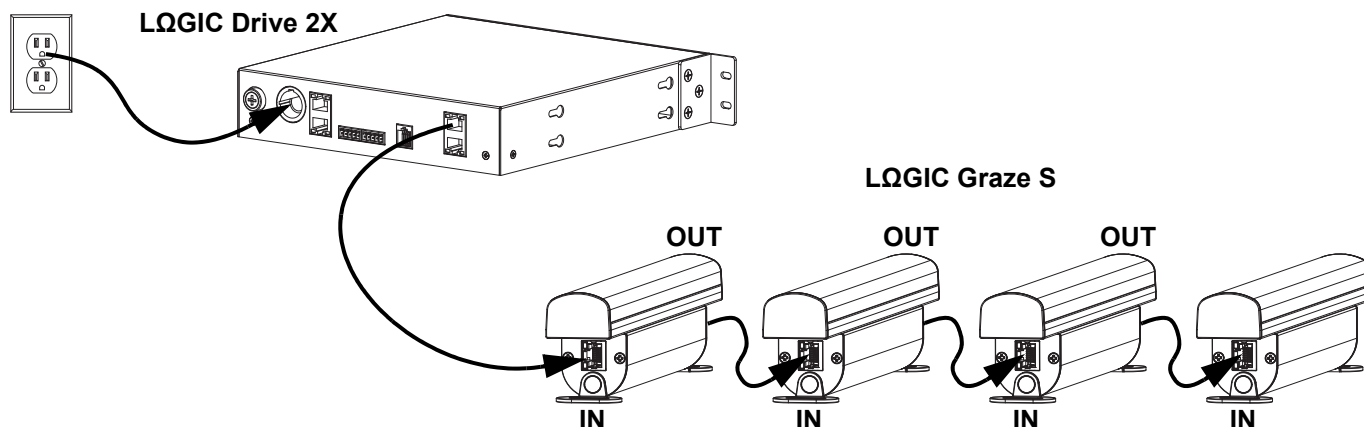
Es posible enlazar hasta 6 productos LQGIC Graze S desde una salida del LQGIC Drive 2X.

Enlace de señal

El LQGIC Graze S recibirá una señal de control (DMX, RDM, Art-Net™ o sACN) del LQGIC Drive 2X a través de una conexión CAT6.

Conexión y cableado

El LQGIC Graze S tiene un puerto IN (entrada) y un puerto OUT (salida) que necesita conexiones Ethernet CAT6/A.

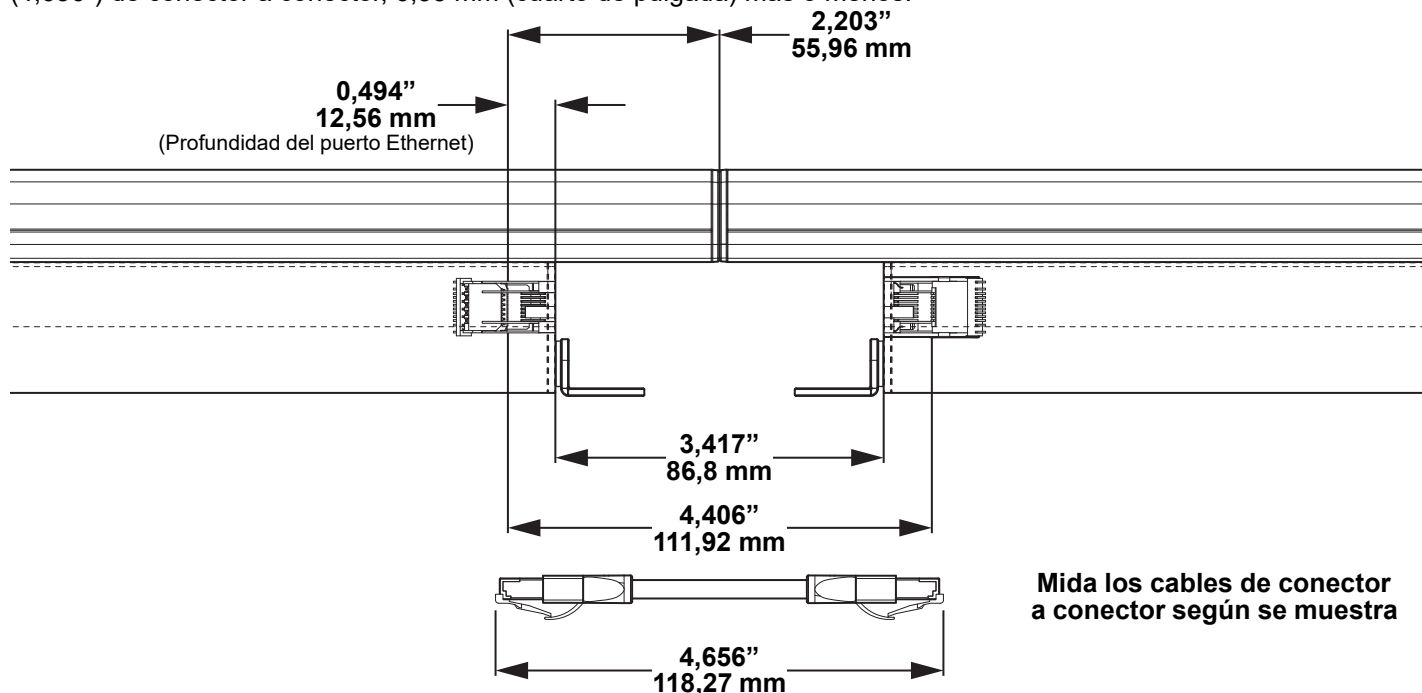


Requisitos del cable: cable de cobre macizo ≥ 23 AWG ($\geq 0,5733$ mm) apantallado CAT6/A, terminado con conectores RJ45.

- No compatible con conductores trenzados
- Longitud del cable máxima total (LQGIC Drive 2X al primer aparato): ≤ 100 m / 328'
- Longitud del cable máxima total (LQGIC Drive 2X al último aparato): ≤ 140 m / 460'
- Longitud del cable máxima total (primer aparato al último aparato): ≤ 40 m / 131'

Guía de conexión de cables

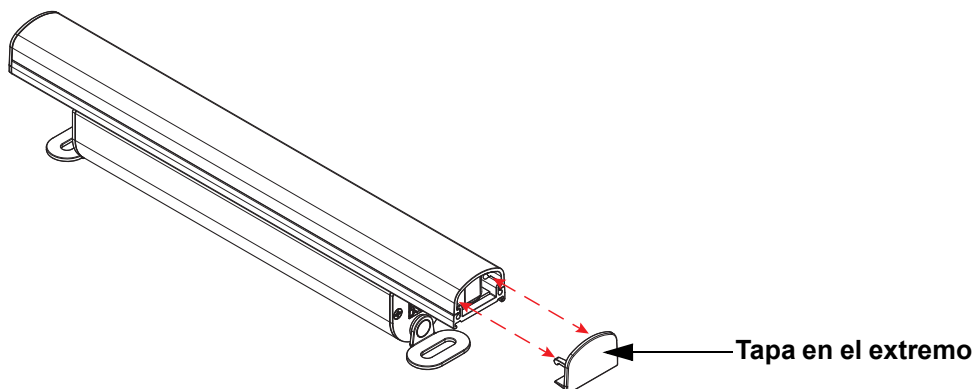
Los productos LQGIC Graze S montados consecutivamente se pueden conectar con un cable CAT6 de 118,27 mm (4,656") de conector a conector, 6,35 mm (cuarto de pulgada) más o menos.



La tolerancia de la longitud del cable entre fabricantes puede variar. Verifique siempre que los cables tengan la longitud adecuada antes de instalar.

Filtro

El LQGIC Graze S viene con un filtro "Very Wide" (muy amplio) que se puede instalar o desinstalar quitando una de las tapas del extremo y deslizando el filtro hacia adentro o hacia afuera entre la carcasa externa y las lentes del LED. Esto ha de hacerse sin herramientas.



El filtro "Very Wide" (muy amplio) es flexible y hay que doblarlo para instalarlo.



ADVERTENCIA: El uso de herramientas para retirar o instalar las tapas del extremo podría dañar el producto.

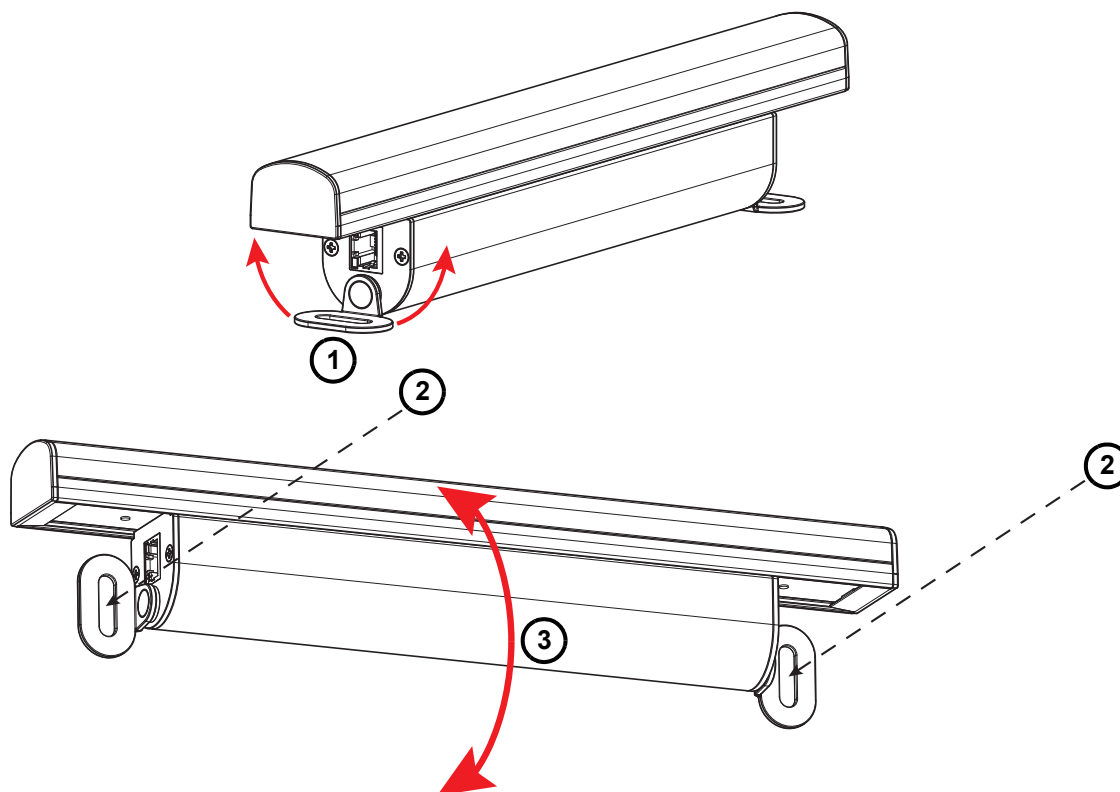
Montaje

Antes de montar este producto, lea las [Notas de Seguridad](#). Asegúrese de que la superficie y el material de montaje sean capaces de soportar el peso del producto.

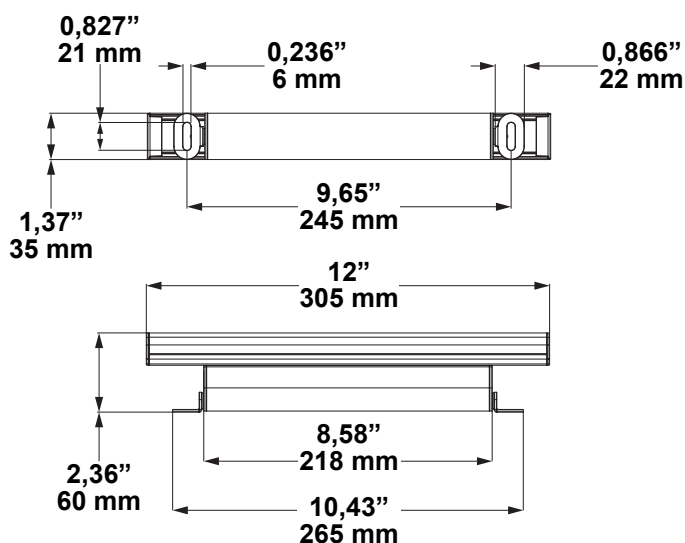
Para montar el LQGIC Graze S en cualquier orientación (luz arriba, luz abajo o luz lateral):

1. Gire los soportes de montaje integrados para que el cuerpo del producto no los bloquee.
2. Fije los soportes a la superficie de montaje con tornillos o pernos M5, n.º 10-32 o n.º 12-24.
3. Inclíne el ángulo del producto según desee.

Diagrama de montaje



Dimensiones de producto



Mapa de Menú

Acceda al menú del LQGC Graze S a través del menú **Linked Fixtures** del LQGC Drive 2X.

Consulte la páginas del productos LQGC Graze S y LQGC Drive 2X en www.iluminarc.com para ver el último mapa de menú.

Nivel Principal	Niveles de Programación		Descripción
Dmx Address	001–512		Selecciona la dirección DMX
Personality	RED		1 canal: atenuador (solo roja)
	GREEN		1 canal: atenuador (solo verde)
	BLUE		1 canal: atenuador (solo azul)
	WHITE		1 canal: atenuador (solo blanco)
	TW		2 canales, blanco ajustable: atenuador, temperatura de color
	RGB		3 canales: control RGB
	RGBW		4 canales: control RGBW
	RGBW+D		5 canales: atenuador, control RGBW
Network	Net Switch	2.X.X.X	Selecciona el primer valor de la dirección IP
		10.X.X.X	
	Universe	000–255 / 001–256 (Art-Net™) (sACN)	Selecciona el universo
Local Info	Version	V _._ _	Muestra instalada la versión de firmware
	IP Address	_._._. _._._	Muestra la dirección IP
	Fixture Hours	_ hours	Muestra el nombre total de las horas del producto
	Label	_ _ _ _ _	Muestra la etiqueta del producto
	Device UID	_ _ _ _ _	Muestra la UID del producto
	MAC Address	_ _ _ _ _	Muestra la dirección MAC
	Temperature	_._. °C	Muestra la temperatura actual en °C
Factory Reset	No		Restablece a la configuración predeterminada de fábrica
	Yes		

Gráfico RDM

Consulte la página del producto LQGIC Graze S en www.iluminarc.com para ver el último gráfico RDM.

GET	SET	Categoría	ID de parámetros RDM (Ranura 21-22)	Valor	Requerido	Detalle
		Network Management	DISC_UNIQUE_BRANCH	0x0001	✓	
			DISC_MUTE	0x0002	✓	
			DISC_UN_MUTE	0x0003	✓	
✓		RDM Information	QUEUED_MESSAGE	0x0020		
✓			SUPPORTED_PARAMETERS	0x0050	✓	IDENTIFY_DEVICE, DEVICE_INFO, SOFTWARE_VERSION_LABEL, SUPPORTED_PARAMETERS, DMX_START_ADDRESS, DEVICE_MODEL_DESCRIPTION, MANUFACTURER_LABEL, DEVICE_LABEL, DMX_PERSONALITY, PERSONALITY_DESCRIPTION, SENSOR_DEFINITION, SENSOR_VALUE
✓			PARAMETER_DESCRIPTION	0x0051	✓	
✓		Product Information	DEVICE_INFO	0x0060	✓	1, RDM Protocol Version: V1.0; 2, Device_Mode_ID: 0x1732; 3, Product Category Defines: PRODUCT_CATEGORY_FIXTURE_FIXED; 4, Software Version ID; 5, DMX512 Footprint; 6, DMX512 Personality; 7, DMX512 Start Address; 8, Sensor Count;
			PRODUCT_DETAIL_ID_LIST	0x0070		
✓			DEVICE_MODEL_DESCRIPTION	0x0080		LOGICGZS
✓			MANUFACTURER_LABEL	0x0081		ILUMINARC
✓	✓		DEVICE_LABEL	0x0082		LOGICGZS
✓			SOFTWARE_VERSION_LABEL	0x00C0	✓	V_._
✓	✓		FACTORY_DEFAULTS			FACTORY_DEFAULTS : yes
✓	✓	DMX Setup	DMX_PERSONALITY	0x00E0		9pcs persons
✓			DMX_PERSONALITY_DESCRIPTION	0x00E1		RED/1CH, GREEN/1CH, BLUE/1CH, WHITE/1CH, TW/2CH, RGB/3CH, RGBW/4CH, RGBW+D/5CH, FULL/10CH
✓	✓		DMX_START_ADDRESS	0x00F0	✓	1-503
✓		Sensors	SENSOR_DEFINITION	0x0200		0.) Product Temperature __ °C
✓			SENSOR_VALUE	0x0201		—20° —100°
✓	✓	Control	IDENTIFY_DEVICE	0x1000	✓	Identify State: Off

Valores DMX

FULL (10 canales)

Canal	Función	Valor	Porcentaje/Configuración
1	Atenuador	000 ⇔ 255	0–100%
2	Rojo	000 ⇔ 255	0–100%
3	Verde	000 ⇔ 255	0–100%
4	Azul	000 ⇔ 255	0–100%
5	Blanco	000 ⇔ 255	0–100%
6	Temperatura de color	000 ⇔ 010	Sin función
		011 ⇔ 020	1800K
		021 ⇔ 030	2200K
		031 ⇔ 040	2700K
		041 ⇔ 050	3000K
		051 ⇔ 060	3200K
		061 ⇔ 070	4000K
		071 ⇔ 080	4500K
		081 ⇔ 090	5000K
		091 ⇔ 100	5600K
		101 ⇔ 110	6000K
		111 ⇔ 120	6500K
		121 ⇔ 130	7000K
		131 ⇔ 140	8000K
		141 ⇔ 150	10000K
151 ⇔ 255	Sin función		
7	Estroboscopio	000 ⇔ 009	Sin función
		010 ⇔ 099	Estroboscopio, 0–25 Hz
		100 ⇔ 109	Sin función
		110 ⇔ 179	Estroboscopio relámpago, lento a rápido
		180 ⇔ 189	Sin función
		190 ⇔ 255	Estroboscopio aleatorio, lento a rápido
8	Programas automáticos	000 ⇔ 040	Sin función
		041 ⇔ 050	Programa automático 1
		051 ⇔ 060	Programa automático 2
		061 ⇔ 070	Programa automático 3
		071 ⇔ 080	Programa automático 4
		081 ⇔ 090	Programa automático 5
		091 ⇔ 100	Programa automático 6
		101 ⇔ 110	Programa automático 7
		111 ⇔ 120	Programa automático 8
		121 ⇔ 130	Programa automático 9
		131 ⇔ 140	Programa automático 10
141 ⇔ 255	Sin función		
9	Velocidad de programa	000 ⇔ 255	Velocidad de programa automático, lento a rápido
10	Velocidad de atenuador	000 ⇔ 009	Sin función
		010 ⇔ 129	Activación de la curva del atenuador
		130 ⇔ 255	Desactivación de la curva del atenuador

RGBW+D (5 canales)

Canal	Función	Valor	Porcentaje/Configuración
1	Atenuador	000 ⇔ 255	0–100%
2	Rojo	000 ⇔ 255	0–100%
3	Verde	000 ⇔ 255	0–100%
4	Azul	000 ⇔ 255	0–100%
5	Blanco	000 ⇔ 255	0–100%

RGBW (4 canales)

Canal	Función	Valor	Porcentaje/Configuración
1	Rojo	000 ⇔ 255	0–100%
2	Verde	000 ⇔ 255	0–100%
3	Azul	000 ⇔ 255	0–100%
4	Blanco	000 ⇔ 255	0–100%

RGB (3 canales)

Canal	Función	Valor	Porcentaje/Configuración
1	Rojo	000 ⇔ 255	0–100%
2	Verde	000 ⇔ 255	0–100%
3	Azul	000 ⇔ 255	0–100%

TW (Blanco ajustable: 2 canales)

Canal	Función	Valor	Porcentaje/Configuración
1	Atenuador	000 ⇔ 255	0–100%
2	Temperatura de color	000 ⇔ 010	Sin función
		011 ⇔ 020	1800K
		021 ⇔ 030	2200K
		031 ⇔ 040	2700K
		041 ⇔ 050	3000K
		051 ⇔ 060	3200K
		061 ⇔ 070	4000K
		071 ⇔ 080	4500K
		081 ⇔ 090	5000K
		091 ⇔ 100	5600K
		101 ⇔ 110	6000K
		111 ⇔ 120	6500K
		121 ⇔ 130	7000K
		131 ⇔ 140	8000K
		141 ⇔ 150	10000K
		151 ⇔ 255	Sin función

WHITE (Blanco, 1 canal)

Canal	Función	Valor	Porcentaje/Configuración
1	Atenuador	000 ⇔ 255	Solo blanco, 0–100%

BLUE (Azul, 1 canal)

Canal	Función	Valor	Porcentaje/Configuración
1	Atenuador	000 ⇔ 255	Solo azul, 0–100%

GREEN (Verde, 1 canal)

Canal	Función	Valor	Porcentaje/Configuración
1	Atenuador	000 ⇔ 255	Solo verde, 0–100%

RED (Rojo, 1 canal)

Canal	Función	Valor	Porcentaje/Configuración
1	Atenuador	000 ⇔ 255	Solo rojo, 0–100%

Especificaciones Técnicas

Dimensiones y Peso

Longitud	Anchura	Altura	Peso
305 mm (12")	35 mm (1,37")	60 mm (2,36")	0,5 kg (1,1 lb)

Nota: las dimensiones en pulgadas están redondeadas.

Alimentación

Fuente de Alimentación	Tensión de entrada	Selección de Tensión
Alimentación a través de Ethernet	52-56 VCC	Fije

Alimentación de un solo dispositivo	Potencia de enlace total por puerto	Alimentación en cadena
12.5 W a través de POE	75 W a través de POE	6 productos por puerto/injector POE

E/S alimentación	US/Mundial	UK/Europa
Conector de entrada de alimentación	Ethernet RJ45	Ethernet RJ45
Conector de salida de alimentación	Ethernet RJ45	Ethernet RJ45
Tipo de cable (requerido)	CAT6	CAT6

Fuente de luz

Tipo	Color	Cantidad	Potencia	Corriente	Vida útil
LED	RGBW	9	2,5 W	870 mA	50.000 horas

Photometrics

Filtro	Ángulo de haz	Ángulo de campo	Ángulo de corte	Iluminancia a 5 m
Ópticos abiertos	121,4° x 120,5°	142,3° x 164,1°	150,2°	10 lux
Medio (pre instalado)	29° x 41,3°	59,7° x 82,2°	100,1°	43 lux
Muy amplio (incluido)	46,1° x 50,5°	166,1° x 149,3°	253,9°	11 lux

Cableado

Tipo de cable necesario	Diámetro de conductor necesario	Material conductor necesario	Terminación de cable
CAT6/A, apantallado	≥23 AWG (≥0,5733 mm)	Cable pelado de cobre macizo (No compatible con conductores trenzados)	RJ45, T568B estándar

Cable recomendado	Longitud del cable máxima total (Drive 2X al primer aparato)	Longitud del cable máxima total (Drive 2X al último aparato)	Longitud del cable máxima total (primer al último aparato)
Belden 2413F, 2412F, o equivalente	100 m (328')	140 m (460')	40 m (131')

Térmico

Rango de temperatura ambiente	Refrigeración
-20 °C a 45 °C (-4 °F a 113 °F)	Convección

Pedidos

Descripción del Producto	Nombre del Producto	Código de Artículo	Número UPC
LQIC Graze S	LOGICGS	1541733	781462220815

À Propos de ce Manuel

Le Manuel de Référence du LQGIC Graze S (MdR) reprend des informations sur cet appareil notamment en matière de montage, options de menu et valeurs DMX. Télécharger le Manuel d'Utilisation du LQGIC Drive 2X sur www.iluminarc.com pour de plus amples informations.

Clause de Non-Responsabilité

Les informations et caractéristiques contenues dans ce manuel sont sujettes à changement sans préavis.

GARANTIE LIMITÉE

VEUILLEZ VISITER NOTRE SITE INTERNET POUR CONSULTER LES MODALITÉS D'ENREGISTREMENT DE LA GARANTIE ET LES CONDITIONS GÉNÉRALES COMPLÈTES.

Pour les clients aux États-Unis et au Mexique: www.www.iluminarc.com/warranty-registration-architectural-lighting.

Pour les clients du Royaume-Uni, de la République d'Irlande, de la Belgique, des Pays-Bas, du Luxembourg, de la France et de l'Allemagne: www.www.iluminarc.com/warranty-registration-architectural-lighting.

Chauvet garantit que cet appareil est exempt de défauts de matériaux et de fabrication dans des conditions normales d'utilisation, pendant la période spécifiée dans la garantie limitée complète consultable sur notre site Internet et sous réserve des exclusions et limitations qui y sont énoncées. Cette garantie ne s'applique qu'à l'acheteur initial du produit et n'est pas transférable. Pour exercer les droits prévus par cette garantie, vous devez fournir une preuve d'achat sous la forme d'un reçu de vente original d'un revendeur autorisé qui indique le nom du produit et la date d'achat. IL N'EXISTE AUCUNE AUTRE GARANTIE EXPRESSE OU IMPLICITE. Cette garantie vous confère des droits légaux spécifiques. Vous pouvez également bénéficier d'autres droits qui varient selon les états et les pays. Cette garantie n'est valable qu'aux États-Unis, au Royaume-Uni, en République d'Irlande, en Belgique, aux Pays-Bas, au Luxembourg, en France, en Allemagne et au Mexique. Pour connaître les conditions de garantie dans d'autres pays, veuillez consulter votre revendeur local.

Consignes de Sécurité

- Le luminaire doit être placé de manière à ce qu'il ne soit pas possible de le regarder de manière fixe à une distance inférieure à 3,3 pi (1 m).
- Si le câble ou le cordon flexible externe de ce luminaire est endommagé, il doit être remplacé par un câble ou cordon spécial disponible exclusivement auprès du fabricant ou de son prestataire de service.
- La source lumineuse contenue dans ce luminaire ne peut être remplacée que par le fabricant ou son prestataire de service ou une personne suffisamment qualifiée.
- Ce luminaire est uniquement réservé à un usage professionnel.
- N'ouvrez PAS cet appareil. Il ne contient aucun composant susceptible d'être réparé par l'utilisateur.
- Ne regardez PAS la source lumineuse lorsque l'appareil fonctionne.
- Attention : Lorsque l'appareil est transféré d'un environnement à température extrême à un autre (par exemple d'un camion froid vers une salle de bal chaude et humide), de la condensation peut se former sur les composants électriques internes. Pour éviter de causer des dommages, laissez l'appareil s'acclimater entièrement au milieu environnant avant de le mettre sous tension.
- ATTENTION : le boîtier de cet appareil est brûlant lors du fonctionnement.
- Montez toujours cet appareil dans un endroit bien ventilé, à au moins, 20 po (50 cm) des surfaces adjacentes.
- Ne laissez AUCUNE source inflammable dans un rayon de 20 po (50 cm) de l'appareil lorsque celui-ci fonctionne.
- N'utilisez PAS cet appareil en extérieur ou tout autre endroit où de la poussière, une chaleur excessive, de l'eau ou de l'humidité pourrait en affecter le fonctionnement. (IP20)
- N'utilisez PAS cet appareil si le boîtier, les lentilles ou les câbles vous semblent endommagés.
- Ne connectez PAS cet appareil ni à un gradateur ni à un rhéostat.
- Cet appareil doit UNIQUEMENT être branché sur une source d'alimentation (PSE) IEEE 802.3bt POE.
- En cas de sérieux problèmes de fonctionnement, arrêtez le système immédiatement.
- La plage de température de démarrage est de -4 °F à 113 °F (-20 °C à 45 °C). Ne démarrez pas le produit en dehors de cette plage.
- La plage de température de fonctionnement est de -40 °F à 113 °F (-40 °C à 45 °C). N'utilisez pas le produit en dehors de cette plage.
- La plage de température de stockage est de -40 °F à 167 °F (-40 °C à 75 °C). Ne stockez pas le produit en dehors de cette plage.

Conformité FCC

Cet appareil est conforme à la partie 15, sous-partie B du règlement de la FCC. L'utilisation est soumise aux deux conditions suivantes :

1. Cet appareil ne doit pas causer d'interférences nuisibles, et
2. Cet appareil doit accepter toutes les interférences reçues, y compris celles pouvant entraîner un fonctionnement indésirable.

Tout changement ou modification non expressément approuvé par l'autorité responsable de la conformité pourrait annuler le droit de l'utilisateur à utiliser l'équipement.

Contact

En dehors des États-Unis, du Royaume-Uni, de l'Irlande, du Benelux, de la France, de l'Allemagne, ou du Mexique, contactez votre fournisseur si vous avez besoin d'assistance ou pour retourner un appareil. Référez-vous à [Contact Us](#) à la fin de ce MdR pour obtenir des informations pour nous contacter.

Ce Qui est Inclus

- LQGIC Graze S
- Manuel de Référence
- Filtre « Very Wide »

Courant continu

Cet appareil est alimenté par le LQGIC Drive 2X via une connexion CAT6 de 52-56 VDC. Pour plus de détails, téléchargez le manuel d'utilisation du LQGIC Drive 2X sur www.iluminarc.com.

Chaînage électrique

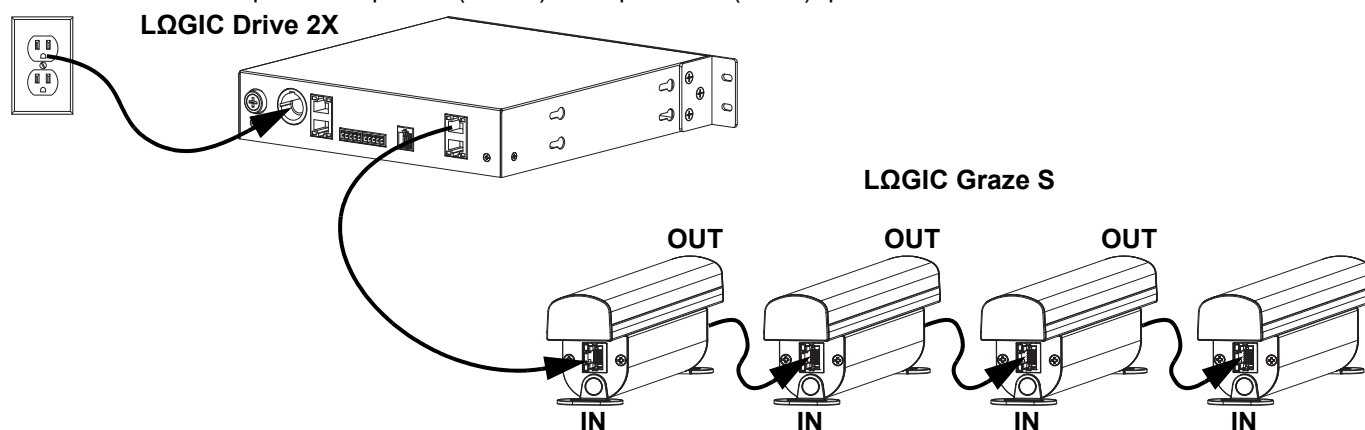
Il est possible connecter jusqu'à 6 appareils LQGIC Graze S à partir d'une seule sortie du LQGIC Drive 2X.

Chaînage du signal

Le LQGIC Graze S est conçu pour recevoir un signal de commande (DMX, RDM, Art-Net™ ou sACN) depuis le LQGIC Drive 2X via une connexion CAT6.

Connexion et câblage

Le LQGIC Graze S dispose d'un port IN (entrée) et un port OUT (sortie) qui nécessitent des connexions Ethernet CAT6/A.

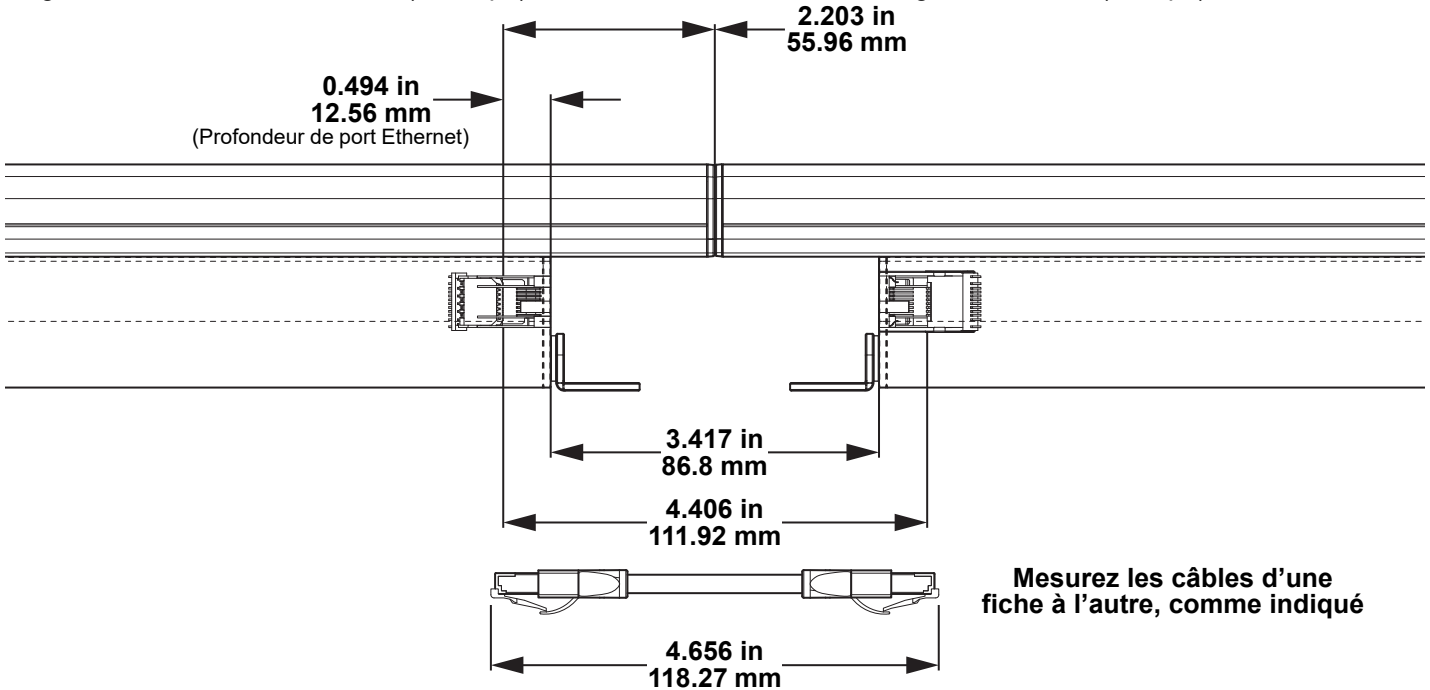


Exigences relatives au câble : fil de cuivre massif ≥ 23 AWG ($\geq 0,5733$ mm) CAT6/A blindé, terminé par des connecteurs RJ45.

- Les conducteurs torsadés ne sont pas pris en charge
- Longueur totale maximale de câble (LQGIC Drive 2X au premier appareil) : ≤ 100 m / 328 pi
- Longueur totale maximale de câble (LQGIC Drive 2X au dernier appareil) : ≤ 140 m / 460 pi
- Longueur totale maximale de câble (premier appareil au dernier appareil) : ≤ 40 m / 131 pi

Guide pour câbles de raccordement

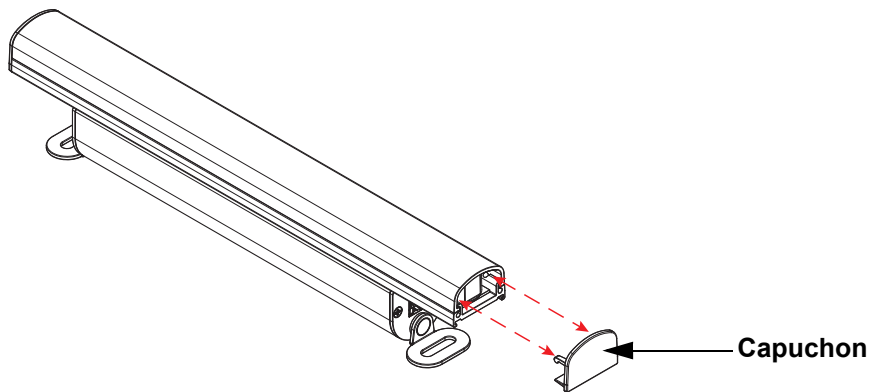
Des appareils LQGIC Graze S montés en guirlande peuvent être reliés par un câble de raccordement CAT6 d'une longueur minimale de 118,27 mm (4,656 po) entre deux fiches, avec une marge de 6,35 mm (0,25 po).



Les tolérances de longueur de câble varient d'un fabricant à l'autre. Vérifiez toujours que les câbles ont une longueur appropriée avant de les installer.

Filtre

Le LQGIC Graze S est livré avec un filtre « Very Wide » qui peut être installé ou retiré en enlevant l'un des capuchons et en faisant glisser le filtre entre le boîtier extérieur et les lentilles LED. Cette opération doit être effectuée sans outils.



Le filtre « Very Wide » est flexible et doit être plié pour être installé.



ATTENTION : L'utilisation d'outils pour retirer ou installer les capuchons peut endommager l'appareil.

Installation

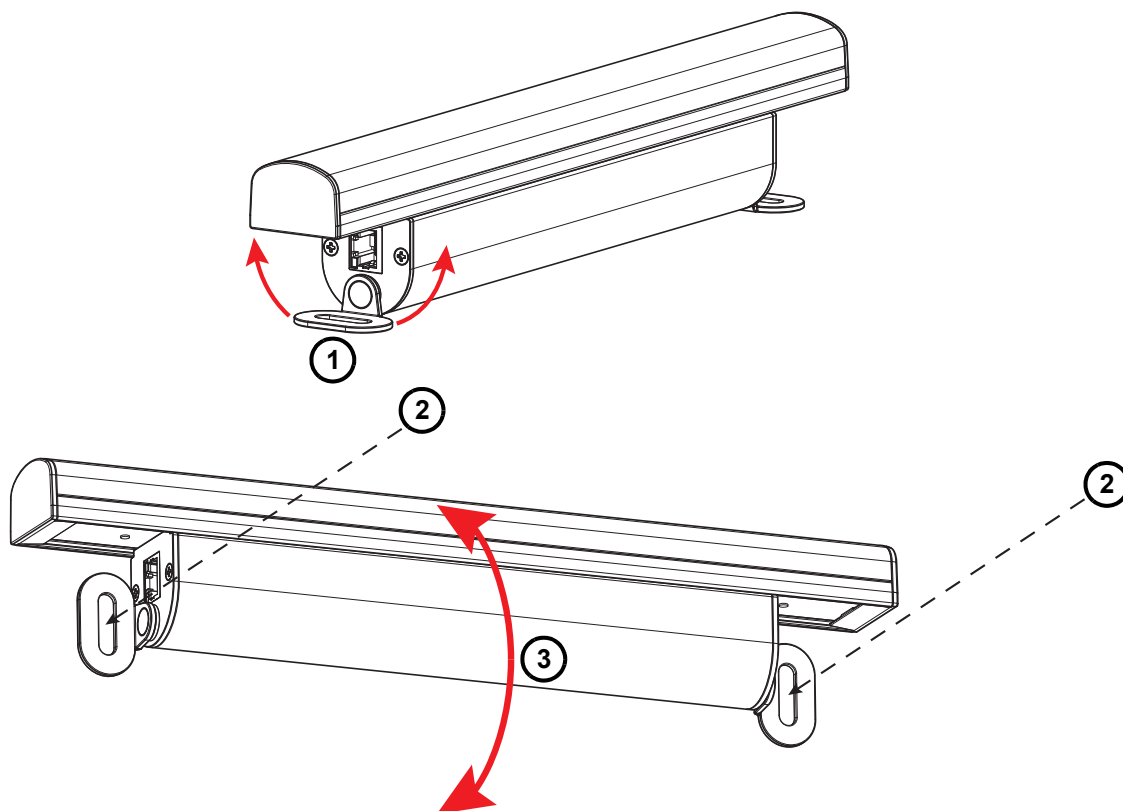
Avant de monter cet appareil, lisez et assimilez les [Consignes de Sécurité](#).

Assurez-vous que la surface et les dispositifs de montage peuvent supporter le poids de l'appareil.

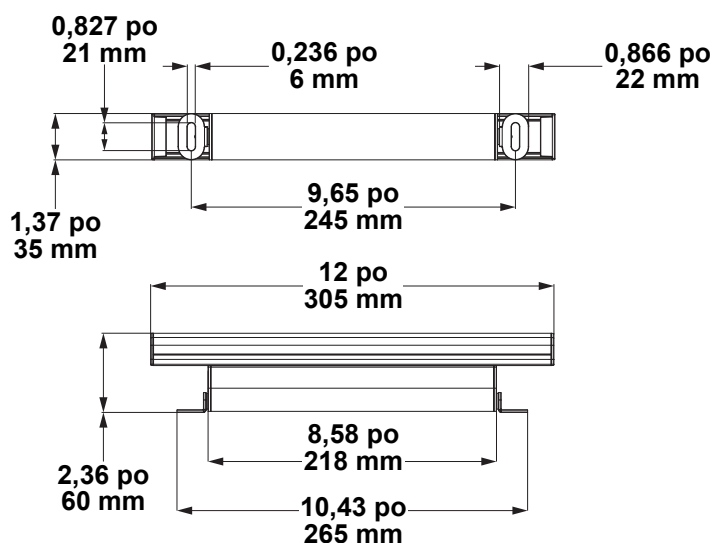
Pour monter le LQGIC Graze S L dans n'importe quelle orientation (éclairage vers le haut, éclairage vers le bas ou éclairage latéral) :

1. Faites pivoter les supports de montage intégrés afin qu'ils ne soient pas bloqués par le boîtier de l'appareil.
2. Fixez les supports à la surface de montage avec des vis ou des boulons M5, #10-32 ou #12-24.
3. Orientez le boîtier de l'appareil comme vous le souhaitez.

Schéma de montage



Dimensions du produit



Plan du Menu

Accédez au menu du LQGIC Graze S par le biais du menu LQGIC Drive 2X **Linked Fixtures**.

Reportez-vous à la pages du produits LQGIC Graze S et LQGIC Drive 2X sur www.iluminarc.com pour la dernière plan du menu.

Menu Principal	Niveaux de Programmation		Description
Dmx Address	001–512		Définir l'adresse DMX
Personality	RED		1 canal : gradateur (rouge seulement)
	GREEN		1 canal : gradateur (vert seulement)
	BLUE		1 canal : gradateur (bleu seulement)
	WHITE		1 canal : gradateur (blanc seulement)
	TW		2 canaux, Blanc réglable : gradateur, température de couleur
	RGB		3 canaux : contrôle RGB
	RGBW		4 canaux : contrôle RGBW
	RGBW+D		5 canaux : gradateur, contrôle RGBW
Network	Net Switch	2.X.X.X	Sélectionne la première valeur de l'adresse IP
		10.X.X.X	
	Universe	000–255 / 001–256 (Art-Net™) (sACN)	
Local Info	Version	V _.'_	Affiche la version actuelle du micrologiciel
	IP Address	_.'_.'_.'_.'_.'_.'_.'_.	Affiche l'adresse IP
	Fixture Hours	_ hours	Affiche le temps pendant lequel l'appareil est resté allumé
	Label	_.'_.'_.'_.'_.'_.'_.'_.	Affiche l'étiquette du produit
	Device UID	_.'_.'_.'_.'_.'_.'_.'_.	Affiche l'UID de l'appareil
	MAC Address	_.'_.'_.'_.'_.'_.'_.'_.	Affiche l'adresse MAC actuelle
	Temperature	_.'_.' °C	Affiche la température actuelle en °C
Factory Reset	No		Réinitialise les paramètres d'usine par défaut
	Yes		

Graphique RDM

Reportez-vous à la page du produit LQGIC Graze S sur www.iluminarc.com pour la dernière graphique RDM.

GET	SET	Catégorie	ID de paramètre RDM (emplacement 21-22)	Valeur	Obligatoire	Détail
		Network Management	DISC_UNIQUE_BRANCH	0x0001	✓	
			DISC_MUTE	0x0002	✓	
			DISC_UN_MUTE	0x0003	✓	
✓		RDM Information	QUEUED_MESSAGE	0x0020		
✓			SUPPORTED_PARAMETERS	0x0050	✓	IDENTIFY_DEVICE, DEVICE_INFO, SOFTWARE_VERSION_LABEL, SUPPORTED_PARAMETERS, DMX_START_ADDRESS, DEVICE_MODEL_DESCRIPTION, MANUFACTURER_LABEL, DEVICE_LABEL, DMX_PERSONALITY, PERSONALITY_DESCRIPTION, SENSOR_DEFINITION, SENSOR_VALUE
✓			PARAMETER_DESCRIPTION	0x0051	✓	
✓		Product Information	DEVICE_INFO	0x0060	✓	1, RDM Protocol Version: V1.0; 2, Device_Mode_ID: 0x1732; 3, Product Category Defines: PRODUCT_CATEGORY_FIXTURE_FIXED; 4, Software Version ID; 5, DMX512 Footprint; 6, DMX512 Personality; 7, DMX512 Start Address; 8, Sensor Count;
			PRODUCT_DETAIL_ID_LIST	0x0070		
✓			DEVICE_MODEL_DESCRIPTION	0x0080		LOGICGZS
✓			MANUFACTURER_LABEL	0x0081		ILUMINARC
✓	✓		DEVICE_LABEL	0x0082		LOGICGZS
✓			SOFTWARE_VERSION_LABEL	0x00C0	✓	V_ _
✓	✓		FACTORY_DEFAULTS			FACTORY_DEFAULTS : yes
✓	✓	DMX Setup	DMX_PERSONALITY	0x00E0		9pcs persons
✓			DMX_PERSONALITY_DESCRIPTION	0x00E1		RED/1CH, GREEN/1CH, BLUE/1CH, WHITE/1CH, TW/2CH, RGB/3CH, RGBW/4CH, RGBW+D/5CH, FULL/10CH
✓	✓		DMX_START_ADDRESS	0x00F0	✓	1-503
✓		Sensors	SENSOR_DEFINITION	0x0200		0.) Product Temperature _ _ °C
✓			SENSOR_VALUE	0x0201		—20° —100°
✓	✓	Control	IDENTIFY_DEVICE	0x1000	✓	Identify State: Off

Valeurs DMX

FULL (10 canaux)

Canal	Fonction	Valeur	Pourcentage/Paramétrage
1	Gradateur	000 ⇔ 255	0–100%
2	Rouge	000 ⇔ 255	0–100%
3	Vert	000 ⇔ 255	0–100%
4	Bleu	000 ⇔ 255	0–100%
5	Blanc	000 ⇔ 255	0–100%
6	Température de couleur	000 ⇔ 010	Pas de fonction
		011 ⇔ 020	1800K
		021 ⇔ 030	2200K
		031 ⇔ 040	2700K
		041 ⇔ 050	3000K
		051 ⇔ 060	3200K
		061 ⇔ 070	4000K
		071 ⇔ 080	4500K
		081 ⇔ 090	5000K
		091 ⇔ 100	5600K
		101 ⇔ 110	6000K
		111 ⇔ 120	6500K
		121 ⇔ 130	7000K
		131 ⇔ 140	8000K
141 ⇔ 150	10000K		
151 ⇔ 255	Pas de fonction		
7	Stroboscope	000 ⇔ 009	Pas de fonction
		010 ⇔ 099	Stroboscope, 0–25 Hz
		100 ⇔ 109	Pas de fonction
		110 ⇔ 179	Stroboscope de foudre, lent à rapide
		180 ⇔ 189	Pas de fonction
		190 ⇔ 255	Stroboscope aléatoire, lent à rapide
8	Programmes automatiques	000 ⇔ 040	Pas de fonction
		041 ⇔ 050	Programme automatique 1
		051 ⇔ 060	Programme automatique 2
		061 ⇔ 070	Programme automatique 3
		071 ⇔ 080	Programme automatique 4
		081 ⇔ 090	Programme automatique 5
		091 ⇔ 100	Programme automatique 6
		101 ⇔ 110	Programme automatique 7
		111 ⇔ 120	Programme automatique 8
		121 ⇔ 130	Programme automatique 9
		131 ⇔ 140	Programme automatique 10
141 ⇔ 255	Pas de fonction		
9	Vitesse du programme	000 ⇔ 255	Vitesse du programme automatique, lent à rapide
10	Vitesse du gradateur	000 ⇔ 009	Pas de fonction
		010 ⇔ 129	Active la courbe de gradateur
		130 ⇔ 255	Désactive la courbe de gradateur

RGBW+D (5 canaux)

Canal	Fonction	Valeur	Pourcentage/Paramétrage
1	Gradateur	000 ⇔ 255	0–100%
2	Rouge	000 ⇔ 255	0–100%
3	Vert	000 ⇔ 255	0–100%
4	Bleu	000 ⇔ 255	0–100%
5	Blanc	000 ⇔ 255	0–100%

RGBW (4 canaux)

Canal	Fonction	Valeur	Pourcentage/Paramétrage
1	Rouge	000 ⇔ 255	0–100%
2	Vert	000 ⇔ 255	0–100%
3	Bleu	000 ⇔ 255	0–100%
4	Blanc	000 ⇔ 255	0–100%

RGB (3 canaux)

Canal	Fonction	Valeur	Pourcentage/Paramétrage
1	Rouge	000 ⇔ 255	0–100%
2	Vert	000 ⇔ 255	0–100%
3	Bleu	000 ⇔ 255	0–100%

TW (Blanc réglable : 2 canaux)

Canal	Fonction	Valeur	Pourcentage/Paramétrage
1	Gradateur	000 ⇔ 255	0–100%
2	Température de couleur	000 ⇔ 010	Pas de fonction
		011 ⇔ 020	1800K
		021 ⇔ 030	2200K
		031 ⇔ 040	2700K
		041 ⇔ 050	3000K
		051 ⇔ 060	3200K
		061 ⇔ 070	4000K
		071 ⇔ 080	4500K
		081 ⇔ 090	5000K
		091 ⇔ 100	5600K
		101 ⇔ 110	6000K
		111 ⇔ 120	6500K
		121 ⇔ 130	7000K
		131 ⇔ 140	8000K
		141 ⇔ 150	10000K
		151 ⇔ 255	Pas de fonction

WHITE (Blanc, 1 canal)

Canal	Fonction	Valeur	Pourcentage/Paramétrage
1	Gradateur	000 ⇔ 255	Blanc seulement, 0–100%

BLUE (Bleu, 1 canal)

Canal	Fonction	Valeur	Pourcentage/Paramétrage
1	Gradateur	000 ⇔ 255	Bleu seulement, 0–100%

GREEN (Vert, 1 canal)

Canal	Fonction	Valeur	Pourcentage/Paramétrage
1	Gradateur	000 ⇔ 255	Vert seulement, 0–100%

RED (Rouge, 1 canal)

Canal	Fonction	Valeur	Pourcentage/Paramétrage
1	Gradateur	000 ⇔ 255	Rouge seulement, 0–100%

Spécificités Techniques

Dimensions et Poids

Longueur	Largeur	Hauteur	Poids
305 mm (12 po)	35 mm (1,37 po)	60 mm (2,36 po)	0,5 kg (1,1 lb)

Remarque: Les dimensions en pouce sont arrondies.

Alimentation

Source d'alimentation	Tension d'entrée	Sélection de tension
Alimentation électrique par câble Ethernet	52-56 V CC	Fixe

Alimentation un seul appareil	Puissance totale de connexion par port	Chaînage électrique
12,5 W via POE	75 W via POE	6 produits par port/injecteur de POE

E/S alimentation	US/Monde	UK/Europe
Connecteur d'entrée d'alimentation	Ethernet RJ45	Ethernet RJ45
Connecteur de sortie d'alimentation	Ethernet RJ45	Ethernet RJ45
Type de câble (obligatoire)	CAT6	CAT6

Source lumineuse

Type	Couleur	Quantité	Alimentation	Courant	Durée de vie
LED	RGBW	9	2,5 W	870 mA	50 000 heures

Photométrie

Filtre	Angle de faisceau	Angle de champ	Angle de coupure	Éclairage @ 5 m
Optique ouverte	121,4° x 120,5°	142,3° x 164,1°	150,2°	10 lux
Moyen (pre installé)	29° x 41,3°	59,7° x 82,2°	100,1°	43 lux
« Very Wide » (inclus)	46,1° x 50,5°	166,1° x 149,3°	253,9°	11 lux

Câblage

Type de câble requis	Diamètre de conducteur requis	Matériau conducteur requis	Terminaison de câble
CAT6/A, blindé	≥23 AWG (≥0,5733 mm)	fil dénudé de cuivre massif (torsadés ne sont pas pris en charge)	RJ45, T568B standard

Câble recommandé	Longueur totale maximale de câble (Drive 2X au premier appareil)	Longueur totale maximale de câble (Drive 2X au dernier appareil)	Longueur totale maximale de câble (premier au dernier appareil)
Belden 2413F, 2412F, ou équivalent	100 m (328 pi)	140 m (460 pi)	40 m (131 pi)

Thermal

Plage de température ambiante	Système de Refroidissement
-20 °C à 45 °C (-4 °F à 113 °F)	Convection

Commande

Description de l'Appareil	Nom de l'Appareil	Code de l'Article	Code UPC
LQGIC Graze S	LOGICGZS	1541733	781462220815

Über diese Schnellanleitung

In der Schnellanleitung des LQGIC Graze S finden Sie die Produktinformationen, wie etwa über die Montage, Menüoptionen und DMX-Werte des Geräts. Laden Sie für weiterführende Informationen unter www.iluminarc.com das Benutzerhandbuch für das LQGIC Drive 2X herunter.

Haftungsausschluss

Die in dieser Anleitung aufgeführten Informationen und Spezifikationen können ohne vorherige Ankündigung geändert werden.

EINGESCHRÄNKTE GARANTIE

ZUR REGISTRIERUNG FÜR GARANTIEANSPRÜCHE UND ZUR EINSICHT IN DIE VOLLSTÄNDIGEN GESCHÄFTSBEDINGUNGEN BESUCHEN SIE BITTE UNSERE WEBSITE.

Für Kunden in den USA und in Mexiko: www.iluminarc.com/warranty-registration-architectural-lighting.

Für Kunden im Vereinigten Königreich, in Irland, Belgien, den Niederlanden, Luxemburg, Frankreich und Deutschland: www.iluminarc.com/warranty-registration-architectural-lighting.

Chauvet garantiert für die in der auf unserer Website veröffentlichten vollständigen eingeschränkten Garantie genannten Dauer und unter Vorbehalt der darin genannten Haftungsausschlüsse und -beschränkungen, dass dieses Produkt bei normaler Gebrauch frei von Material- und Verarbeitungsfehlern ist. Diese Garantie erstreckt sich nur auf den Erstkäufer des Produkts und ist nicht übertragbar. Zur Ausübung der unter dieser Garantie gewährten Rechte ist der Kaufbeleg in Form der Originalrechnung von einem autorisierten Händler vorzulegen, in der die Produktbezeichnung und das Kaufdatum vermerkt sein müssen. ES BESTEHEN KEINE WEITEREN AUSDRÜCKLICHEN ODER STILLSCHWEIGENDEN GARANTIEEN. Diese Garantie gibt Ihnen besondere gesetzliche Rechte. Und Sie haben möglicherweise weitere Rechte, die von Land zu Land unterschiedlich sein können. Diese Garantie ist nur in den USA, im Vereinigten Königreich, in Irland, Belgien, den Niederlanden, Luxemburg, Frankreich, Deutschland und Mexiko gültig. Bezüglich der Garantiebestimmungen in anderen Ländern wenden Sie sich bitte an Ihren lokalen Händler.

Sicherheitshinweise

- Die Leuchte sollte so positioniert werden, dass ein langes starres Schauen in die Leuchte in einem Abstand von weniger als 3,3 Fuß (1 m) nicht zu erwarten ist.
- Ist das externe flexible Kabel dieser Leuchte beschädigt, muss es durch ein gleichwertiges Kabel oder ein ausschließlich vom Hersteller oder dessen Vertriebspartner erhältliches Kabel ersetzt werden.
- Das in dieser Leuchte enthaltene Leuchtmittel darf nur vom Hersteller oder dessen Vertriebspartner oder einer ähnlich qualifizierten Person ausgetauscht werden.
- Die Leuchte ist ausschließlich für den professionellen Einsatz bestimmt.
- Dieses Gerät NICHT öffnen. Die eingebauten Komponenten sind für den Kunden wartungsfrei.
- NIEMALS in die Lichtquelle schauen, während das Gerät eingeschaltet ist.
- VORSICHT: Das Gehäuse dieses Produkts kann während des Betriebs heiß werden. Installieren Sie das Gerät an einem Ort mit ausreichender Belüftung und mit einem Abstand von mindestens 50 cm zu den angrenzenden Flächen.
- Belassen Sie KEINE entflammaren Materialien in einem Umkreis von 50 cm dieses Geräts, während es in Betrieb oder an der Stromversorgung angeschlossen ist.
- VORSICHT: Beim Transport des Geräts von einer Umgebung mit außergewöhnlichen Temperaturen in eine andere solche Umgebung (z. B. aus einem kalten Transporter in einen warm-feuchten Ballsaal) kann an der im Gerät enthaltenen Elektronik Wasser kondensieren. Um einen Defekt zu vermeiden, muss sich das Gerät erst in der neuen Umgebung akklimatisiert haben, bevor es an die Stromversorgung angeschlossen werden kann.
- Nehmen sie das Gerät NICHT im Freien oder an einem Ort in Betrieb, der durch Staubentwicklung, übermäßige Hitze, Wasser oder hohe Luftfeuchtigkeit charakterisiert ist. (IP20)
- NIEMALS das Gerät in Betrieb nehmen, wenn Ihnen das Gehäuse, die Linsen oder das Kabel beschädigt erscheinen.
- Schließen Sie dieses Gerät NICHT an einen Dimmer oder Regelwiderstand an.
- Schließen Sie NUR dieses Produkt an die IEEE 802.3bt PoE-Stromquelle (PSE – Power Source Equipment) an.
- Bei ernsthaften Betriebsproblemen stoppen Sie umgehend die Verwendung des Geräts.
- Der Anlaufftemperaturbereich liegt zwischen -4 °F bis 113 °F (-20 °C bis 45 °C). Starten Sie das Produkt nicht außerhalb dieses Bereichs.
- Der Betriebstemperaturbereich liegt zwischen -40 °F bis 113 °F (-40 °C bis 45 °C). Betreiben Sie das Produkt nicht außerhalb dieses Bereichs.
- Der Lagertemperaturbereich liegt zwischen -40 °F bis 167 °F (-40 °C bis 75 °C). Lagern Sie das Produkt nicht außerhalb dieses Bereichs.

FCC-Konformität

Dieses Gerät erfüllt Teil 15, Teil B, der FCC-Bestimmungen. Der Betrieb ist an folgende zwei Bedingungen geknüpft:

1. Dieses Gerät darf keine schädlichen Interferenzen verursachen, und
2. Dieses Gerät muss empfangende Interferenzen aufnehmen können, auch Interferenzen, die eventuell einen unerwünschten Betrieb verursachen.

Jegliche Änderungen oder Modifikationen, die nicht ausdrücklich von der Partei genehmigt wurden, die für die Compliance zuständig ist, könnten die Berechtigung des Benutzers zum Betrieb dieses Geräts aufheben.

Kontakt

Kunden außerhalb der USA, GB, Irland, Benelux, Frankreich, Deutschland oder Mexiko wenden sich an ihren Lieferanten, um den Kundensupport in Anspruch zu nehmen oder ein Produkt zurückzuschicken. Kontaktinformationen finden Sie im [Contact Us](#) am Ende dieses QRG.

Packungsinhalt

- LQGIC Graze S
- „Very Wide“ Filter (Sehr breiter)
- Schnellanleitung

Gleichstrom

Dieses Produkt wird vom LQGIC Drive 2X über eine CAT6-Verbindung mit 52-56 VDC versorgt. Laden Sie für weiterführende Informationen zum LQGIC Drive 2X unter www.iluminarc.com das Benutzerhandbuch herunter.

Serienschaltung der Geräte

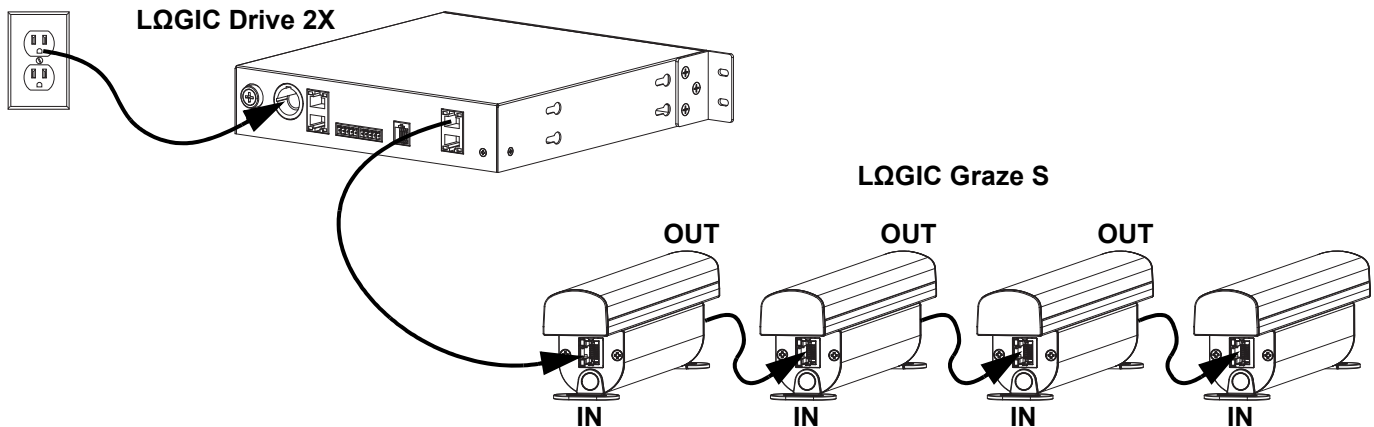
An einem Ausgang des LQGIC Drive 2X bis zu 4 LQGIC Graze S-Produkte anschließen.

Signalverknüpfung

Der LQGIC Graze S erhält ein Steuersignal (DMX, RDM, Art-Net™ oder sACN) vom LQGIC Drive 2X über eine CAT6-Verbindung.

Anschließen und Verkabelung

Der LQGIC Graze S verfügt über 1 IN (Eingang) und 1 OUT (Ausgang), für die eine CAT6/A Ethernet-Verbindung erforderlich ist.

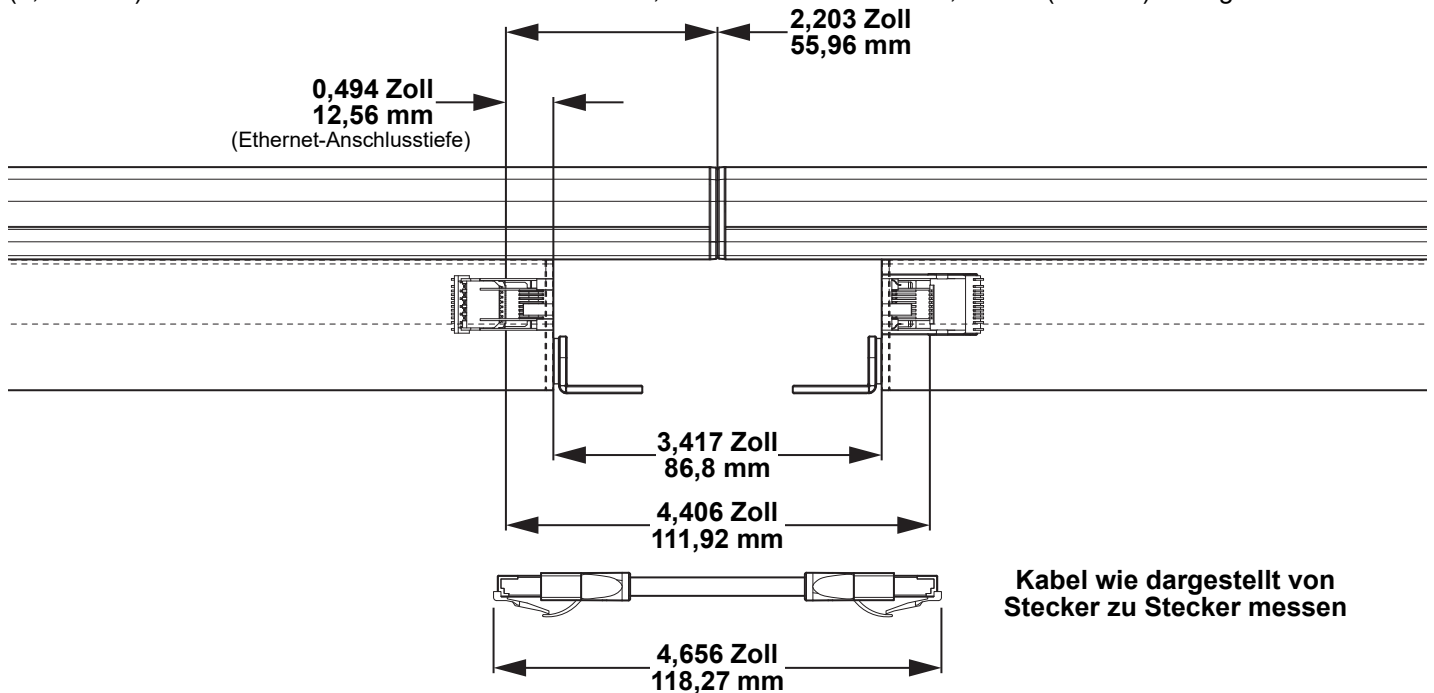


Kabelanforderungen: ≥ 23 AWG (≥ 0.5733 mm) Kupferdraht, abgeschirmt, CAT6/A, mit RJ45-Steckverbindern abgeschlossen.

- Verseilte Leiter werden nicht unterstützt
- Maximale Gesamtkabellänge (LQGIC Drive 2X bis zum ersten Gerät): ≤ 100 m / 328 Fuß
- Maximale Gesamtkabellänge (LQGIC Drive 2X bis zum letzten Gerät): ≤ 140 m / 460 Fuß
- Maximale Gesamtkabellänge (Ersten bis zum letzten Gerät): ≤ 40 m / 131 Fuß

Anleitung für Patchkabel

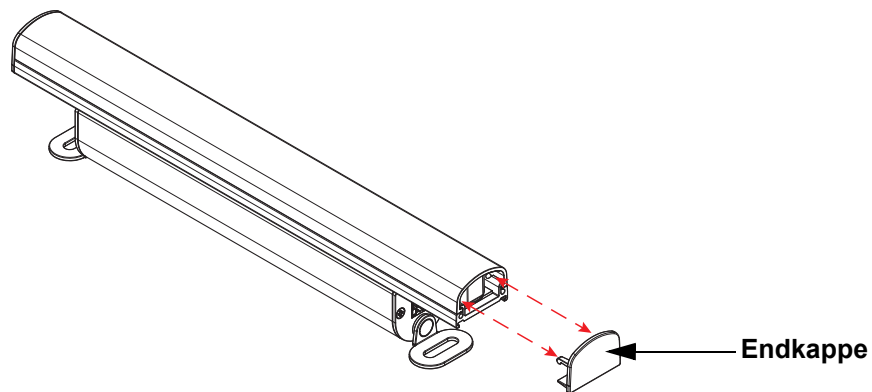
Ende-zu-Ende-montierte LQGIC Graze S-Produkte können mit einem CAT6-Patchkabel in einer Länge von 118,27 mm (4,656 Zoll) von Stecker zu Stecker verbunden werden, wobei die Toleranz +/- 6,35 mm (1/4 Zoll) beträgt.



Die Toleranzen für die Kabellänge variieren je nach Hersteller. Überprüfen Sie vor der Installation immer, ob die Kabel die richtige Länge haben.

Filter

Der LQGIC Graze S wird mit einem „Very Wide“ Filter (Sehr breiter) geliefert. Dieser kann installiert oder abgebaut werden, indem Sie die Endkappen entfernen und den Filter zwischen dem äußeren Gehäuse und den LED-Linsen ein- und herauschieben. Dies sollte ohne Werkzeug erfolgen.



Der „Very Wide“ Filter (Sehr breiter) ist flexibel und muss zur Installation gebogen werden.



WARNUNG: Der Einsatz von Werkzeugen beim Ein- oder Ausbau der Endkappen kann zu Beschädigungen führen.

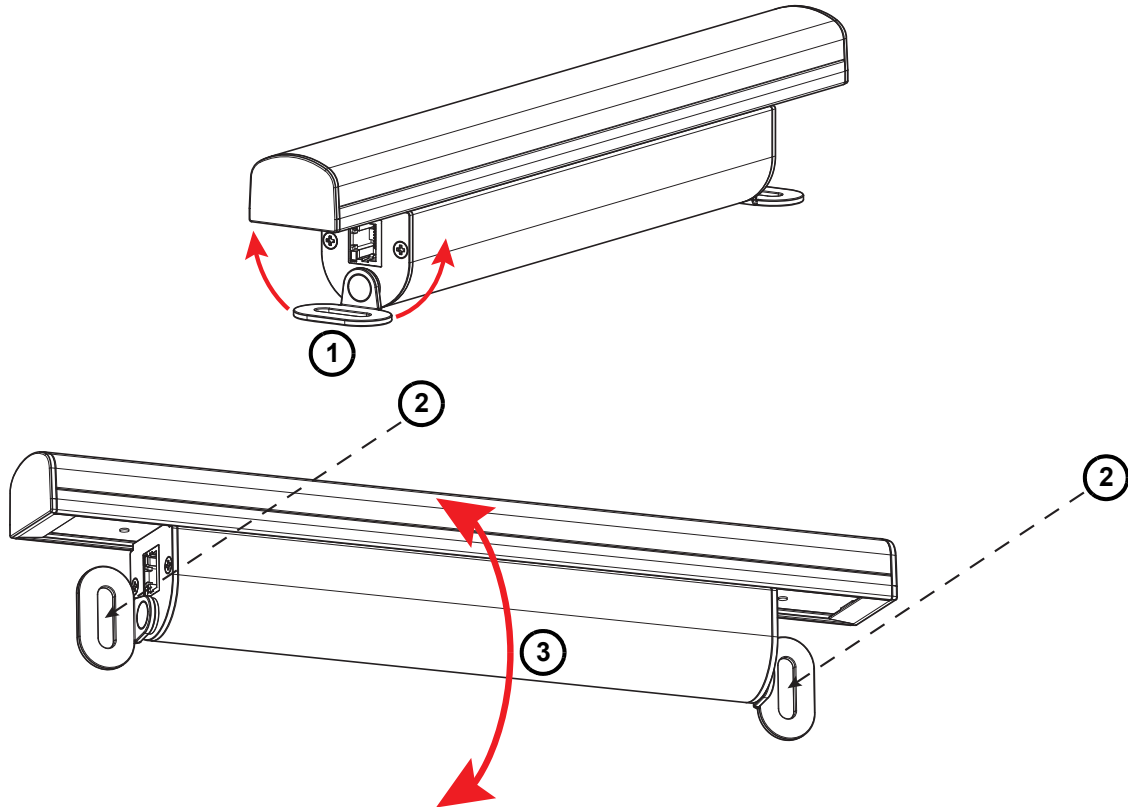
Montage

Lesen Sie vor der Montage dieses Geräts die [Sicherheitshinweise](#) durch. Stellen Sie sicher, dass die Montageoberfläche und die Hardware dafür ausgelegt sind, das Produktgewicht tragen zu können.

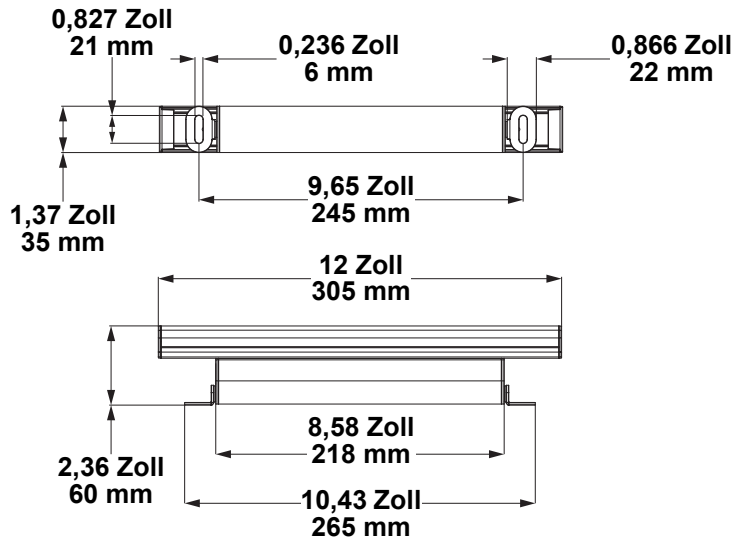
So montieren Sie den LQGIC Graze S in einer beliebigen Ausrichtung (Lichtstrahl nach oben, unten oder zur Seite):

1. Drehen Sie die integrierten Befestigungsbügel so, dass sie vom Produktgehäuse nicht blockiert sind.
2. Sichern Sie die Befestigungsbügel an der Montageoberfläche mit Schrauben oder Bolzen: M5, 10-32 oder 12-24.
3. Bringen Sie das Produktgehäuse in den gewünschten Winkel.

Montagediagramm



Produktabmessungen



Menükarte

Über das Menü für **Linked Fixtures** des LQIG Drive 2X können Sie auf das Menü des LQIG Graze S zugreifen. Die neueste Menükarte finden Sie auf der LQIG Graze S- und LQIG Drive 2X-Produktseite unter www.iluminarc.com.

Hauptebene	Programmirebenen		Beschreibung
Dmx Address	001–512		Stellt die DMX-Adresse ein
Personality	RED		1 Kanal: Dimmer (nur rot)
	GREEN		1 Kanal: Dimmer (nur grün)
	BLUE		1 Kanal: Dimmer (nur blau)
	WHITE		1 Kanal: Dimmer (nur weiß)
	TW		2 Kanäle, Regelbar weiß: Dimmer, Farbtemperatur
	RGB		3 Kanäle: RGB-Steuerung
	RGBW		4 Kanäle: RGBW-Steuerung
	RGBW+D		5 Kanäle: Dimmer, RGBW-Steuerung
Network	Net Switch	2.X.X.X	Damit wählen Sie den ersten Wert der IP-Adresse aus
		10.X.X.X	
Local Info	Universe	000–255 / 001–256 (Art-Net™) (sACN)	Damit wählen Sie das Universum aus
	Version	V _._._	Zeigt die Firmware-Version an
	IP Address	_. _._. _._. _._.	Zeigt die aktuelle IP-Adresse an
	Fixture Hours	_ hours	Zeigt an, wie lange das Gerät eingeschaltet gewesen ist
	Label	_. _._. _._. _._.	Zeigt das Produktetikett an
	Device UID	_. _._. _._. _._.	Zeigt die Geräte-UID an
	MAC Address	_. _._. _._. _._. _._.	Zeigt die aktuelle MAC-Adresse an
Factory Reset	Temperature		Zeigt die aktuelle Temperatur in °C an
	_. _._ °C		
Factory Reset	No		Damit setzen auf die Werkseinstellungen zurück
	Yes		

RDM-Diagramm

Die neueste RDM-Diagramm finden Sie auf der LQGIC Graze S-Produktseite unter www.iluminarc.com.

GET	SET	Kategorie	RDM-Parameter-IDs (Steckplatz 21-22)	Wert	Benötigte	Detail
		Network Management	DISC_UNIQUE_BRANCH	0x0001	✓	
			DISC_MUTE	0x0002	✓	
			DISC_UN_MUTE	0x0003	✓	
✓		RDM Information	QUEUED_MESSAGE	0x0020		
✓			SUPPORTED_PARAMETERS	0x0050	✓	IDENTIFY_DEVICE, DEVICE_INFO, SOFTWARE_VERSION_LABEL, SUPPORTED_PARAMETERS, DMX_START_ADDRESS, DEVICE_MODEL_DESCRIPTION, MANUFACTURER_LABEL, DEVICE_LABEL, DMX_PERSONALITY, PERSONALITY_DESCRIPTION, SENSOR_DEFINITION, SENSOR_VALUE
✓			PARAMETER_DESCRIPTION	0x0051	✓	
✓		Product Information	DEVICE_INFO	0x0060	✓	1, RDM Protocol Version: V1.0; 2, Device_Mode_ID: 0x1732; 3, Product Category Defines: PRODUCT_CATEGORY_FIXTURE_FIXED; 4, Software Version ID; 5, DMX512 Footprint; 6, DMX512 Personality; 7, DMX512 Start Address; 8, Sensor Count;
			PRODUCT_DETAIL_ID_LIST	0x0070		
✓			DEVICE_MODEL_DESCRIPTION	0x0080		LOGICGZS
✓			MANUFACTURER_LABEL	0x0081		ILUMINARC
✓	✓		DEVICE_LABEL	0x0082		LOGICGZS
✓			SOFTWARE_VERSION_LABEL	0x00C0	✓	V_._
✓	✓		FACTORY_DEFAULTS			FACTORY_DEFAULTS : yes
✓	✓		DMX_PERSONALITY	0x00E0		9pcs persons
✓		DMX Setup	DMX_PERSONALITY_DESCRIPTION	0x00E1		RED/1CH, GREEN/1CH, BLUE/1CH, WHITE/1CH, TW/2CH, RGB/3CH, RGBW/4CH, RGBW+D/5CH, FULL/10CH
✓	✓		DMX_START_ADDRESS	0x00F0	✓	1-503
✓		Sensors	SENSOR_DEFINITION	0x0200		0.) Product Temperature __ °C
✓			SENSOR_VALUE	0x0201		—20° —100°
✓	✓	Control	IDENTIFY_DEVICE	0x1000	✓	Identify State: Off

DMX Werte

FULL (10 Kanäle)

Kanal	Funktion	Wert	Prozent/Einstellung
1	Dimmer	000 ⇔ 255	0–100%
2	Rot	000 ⇔ 255	0–100%
3	Grün	000 ⇔ 255	0–100%
4	Blau	000 ⇔ 255	0–100%
5	Weiß	000 ⇔ 255	0–100%
6	Farbtemperatur	000 ⇔ 010	Keine Funktion
		011 ⇔ 020	1800K
		021 ⇔ 030	2200K
		031 ⇔ 040	2700K
		041 ⇔ 050	3000K
		051 ⇔ 060	3200K
		061 ⇔ 070	4000K
		071 ⇔ 080	4500K
		081 ⇔ 090	5000K
		091 ⇔ 100	5600K
		101 ⇔ 110	6000K
		111 ⇔ 120	6500K
		121 ⇔ 130	7000K
		131 ⇔ 140	8000K
		141 ⇔ 150	10000K
151 ⇔ 255	Keine Funktion		
7	Stroboskop	000 ⇔ 009	Keine Funktion
		010 ⇔ 099	Stroboskop, 0–25 Hz
		100 ⇔ 109	Keine Funktion
		110 ⇔ 179	Blitze-Stroboskop, langsam nach schnell
		180 ⇔ 189	Keine Funktion
		190 ⇔ 255	Zufalls-Strobe, langsam nach schnell
8	Automatischen Programme	000 ⇔ 040	Keine Funktion
		041 ⇔ 050	Automatische Programm 1
		051 ⇔ 060	Automatische Programm 2
		061 ⇔ 070	Automatische Programm 3
		071 ⇔ 080	Automatische Programm 4
		081 ⇔ 090	Automatische Programm 5
		091 ⇔ 100	Automatische Programm 6
		101 ⇔ 110	Automatische Programm 7
		111 ⇔ 120	Automatische Programm 8
		121 ⇔ 130	Automatische Programm 9
		131 ⇔ 140	Automatische Programm 10
141 ⇔ 255	Keine Funktion		
9	Programmgeschwindigkeit	000 ⇔ 255	Automatische Programmgeschwindigkeit, langsam nach schnell
10	Dimmgeschwindigkeit	000 ⇔ 009	Keine Funktion
		010 ⇔ 129	Aktiviert die Dimmerkurve
		130 ⇔ 255	Deaktiviert die Dimmerkurve

SCHNELLANLEITUNG

DE

ILUMINARC

RGBW+D (5 Kanäle)

Kanal	Funktion	Wert	Prozent/Einstellung
1	Dimmer	000 ⇔ 255	0–100%
2	Rot	000 ⇔ 255	0–100%
3	Grün	000 ⇔ 255	0–100%
4	Blau	000 ⇔ 255	0–100%
5	Weiß	000 ⇔ 255	0–100%

RGBW (4 Kanäle)

Kanal	Funktion	Wert	Prozent/Einstellung
1	Rot	000 ⇔ 255	0–100%
2	Grün	000 ⇔ 255	0–100%
3	Blau	000 ⇔ 255	0–100%
4	Weiß	000 ⇔ 255	0–100%

RGB (3 Kanäle)

Kanal	Funktion	Wert	Prozent/Einstellung
1	Rot	000 ⇔ 255	0–100%
2	Grün	000 ⇔ 255	0–100%
3	Blau	000 ⇔ 255	0–100%

TW (Regelbar weiß: 2 Kanäle)

Kanal	Funktion	Wert	Prozent/Einstellung
1	Dimmer	000 ⇔ 255	0–100%
2	Farbtemperatur	000 ⇔ 010	Keine Funktion
		011 ⇔ 020	1800K
		021 ⇔ 030	2200K
		031 ⇔ 040	2700K
		041 ⇔ 050	3000K
		051 ⇔ 060	3200K
		061 ⇔ 070	4000K
		071 ⇔ 080	4500K
		081 ⇔ 090	5000K
		091 ⇔ 100	5600K
		101 ⇔ 110	6000K
		111 ⇔ 120	6500K
		121 ⇔ 130	7000K
		131 ⇔ 140	8000K
		141 ⇔ 150	10000K
151 ⇔ 255	Keine Funktion		

WHITE (Weiß, 1 Kanal)

Kanal	Funktion	Wert	Prozent/Einstellung
1	Dimmer	000 ⇔ 255	Nur weiß, 0–100%

BLUE (Blau, 1 Kanal)

Kanal	Funktion	Wert	Prozent/Einstellung
1	Dimmer	000 ⇔ 255	Nur blau, 0–100%

GREEN (Grün, 1 Kanal)

Kanal	Funktion	Wert	Prozent/Einstellung
1	Dimmer	000 ⇔ 255	Nur grün, 0–100%

SCHNELLANLEITUNG

ILUMINARC

DE

RED (Rot, 1 Kanal)

Kanal	Funktion	Wert	Prozent/Einstellung
1	Dimmer	000 ⇔ 255	Nur rot, 0–100%

Technische Daten

Abmessungen und Gewicht

Länge	Breite	Höhe	Gewicht
305 mm (12 Zoll)	35 mm (1,37 Zoll)	60 mm (2,36 Zoll)	0,5 kg (1,1 lb)

Hinweis: Abmessungen in Zoll sind gerundet.

Leistungsaufnahme

Stromquelle	Eingangsspannung	Spannungsauswahl
Stromversorgung über Ethernet	52-56 VDC	Fest

Stromversorgung für Einzelgerät	Gesamtstromversorgung für Verknüpfung pro Anschluss	Serienschaltung
12,5 W über POE	75 W über POE	6 Produkte pro Anschluss/PoE-Injektor

I/O-Eingangsbuchse	USA/Weltweit	GB/Europa
Stromeingangsbuchse	Ethernet RJ45	Ethernet RJ45
Stromausgangsbuchse	Ethernet RJ45	Ethernet RJ45
Kabeltyp (erforderlich)	CAT6	CAT6

Leuchtquelle

Typ	Farbe	Menge	Leistungsaufnahme	Strom	Dauer
LED	RGBW	9	2,5 W	870 mA	50.000 Stunden

Lichttechnik

Filter	Abstrahlwinkel	Feldwinkel	Abschaltwinkel	Beleuchtungsstärke @ 5 m
Offene Optik	121,4° x 120,5°	142,3° x 164,1°	150,2°	10 lux
Mittel (vorinstalliert)	29° x 41,3°	59,7° x 82,2°	100,1°	43 lux
Sehr breiter (inbegriffen)	46,1° x 50,5°	166,1° x 149,3°	253,9°	11 lux

Verkabelung

Erforderliche Kabelart	Erforderlicher Leiterdurchmesser	Erforderliches Leitermaterial	Kabelabschluss
CAT6/A, abgeschirmt	≥23 AWG (≥0,5733 mm)	Blanker Kupferdraht (Verseilte werden nicht unterstützt)	RJ45, T568B Standard

Empfohlenes Kabel	Maximale Gesamtkabellänge (Drive 2X bis zum ersten Gerät)	Maximale Gesamtkabellänge (Drive 2X bis zum letzten Gerät)	Maximale Gesamtkabellänge (Ersten bis zum letzten Gerät)
Belden 2413F, 2412F, oder gleichwertig	100 m (328 Fuß)	140 m (460 Fuß)	40 m (131 Fuß)

Wärmeentwicklung

Umgebungstemperaturbereich	Kühlung
-20 °C bis 45 °C (-4 °F bis 113 °F)	Konvektion

Bestellung

Produktbezeichnung	Artikelname	Artikelcode	UPC-Nummer
LQIC Graze S	LOGICGS	1541733	781462220815

Over deze handleiding

De LQGIC Graze S Beknopte Handleiding bevat basisinformatie over het product, zoals montage, menu-opties en DMX-waarden. Download de gebruikershandleiding voor de LQGIC Drive 2X op www.iluminarc.com voor meer informatie.

Disclaimer

De informatie en specificaties in deze beknopte handleiding kunnen zonder voorafgaande kennisgeving worden gewijzigd.

BEPERKTE GARANTIE

GA NAAR ONZE WEBSITE VOOR REGISTRATIE VAN DE GARANTIE EN DE VOLLEDIGE ALGEMENE VOORWAARDEN.

Voor klanten in de Verenigde Staten en Mexico: www.iluminarc.com/warranty-registration-architectural-lighting.

Voor klanten in het Verenigd Koninkrijk, Ierland, België, Nederland, Luxemburg, Frankrijk en Duitsland: www.iluminarc.com/warranty-registration-architectural-lighting.

Chauvet garandeert dat dit product bij normaal gebruik vrij zal blijven van defecten in materiaal en vakmanschap, voor de opgegeven periode en onder voorbehoud van de uitzonderingen en beperkingen die zijn uiteengezet in de volledige beperkte garantie op onze website. Deze garantie geldt uitsluitend voor de oorspronkelijke koper van het product en is niet overdraagbaar. Om onder deze garantie rechten uit te oefenen, moet u een aankoopbewijs overleggen in de vorm van een origineel verkoopbewijs van een geautoriseerde dealer, waarop de naam van het product en de aankoopdatum zichtbaar zijn. **ER ZIJN GEEN ANDERE EXPLICIETE OF IMPLICIETE GARANTIES.** Deze garantie geeft u specifieke wettelijke rechten. Mogelijk heeft u ook andere rechten die van staat tot staat en van land tot land verschillen. Deze garantie is uitsluitend geldig in de Verenigde Staten, het Verenigd Koninkrijk, Ierland, België, Nederland, Luxemburg, Frankrijk, Duitsland en Mexico. Neem contact op met uw lokale verkoper voor garantievoorwaarden in andere landen.

Veiligheidsinstructies

- De armatuur moet zodanig geplaatst worden dat langdurig staren in de armatuur op een afstand van minder dan 3,3 voet (1 m) voorkomen wordt.
- Als de externe flexibele kabel of het snoer van deze armatuur beschadigd is, moet deze worden vervangen door een speciaal snoer of een snoer dat uitsluitend beschikbaar is bij de fabrikant of zijn onderhoudsagent.
- De lichtbron die in deze armatuur omvat is mag alleen vervangen worden door de fabrikant, of diens onderhoudsagent of een soortgelijk erkend persoon.
- De armatuur is uitsluitend bedoeld voor professioneel gebruik.
- Open het product NIET. Het bevat geen te onderhouden onderdelen.
- KIJK NIET in de lichtbron wanneer het apparaat is ingeschakeld.
- LET OP: De behuizing van dit product kan heet zijn wanneer het in bedrijf is.
- Monteer dit product op een plek met voldoende ventilatie, ten minste 50 cm van de aangrenzende oppervlakken.
- Plaats geen ontvlambaar materiaal binnen 50 cm van dit product als het in gebruik is of is aangesloten op het stopcontact.
- LET OP: Bij het verplaatsen van het product uit extreme omgevingen, (bijv. koude vrachtwagen naar warme, vochtige balzaal) kan er condensvorming optreden op de elektronica van het product. Om storingen te vermijden moet het product volledig kunnen acclimatiseren aan de omgeving voordat het op stroom wordt aangesloten.
- Gebruik dit product NIET buitenshuis of op een locatie waar stof, grote warmte, water of vochtigheid het kunnen beïnvloeden. (IP20)
- Gebruik dit product NIET als de behuizing, lenzen of kabels beschadigd lijken.
- Sluit dit product NIET aan op een dimmer of een regelweerstand.
- Sluit dit product UITSLUITEND aan op de IEEE 802.3bt POE voedingsbronapparatuur (PSE).
- Stop in het geval van ernstige operationele problemen onmiddellijk met het gebruik.
- Het opstarttemperatuurbereik is van -4 °F tot 113 °F (-20 °C tot 45 °C). Start het product niet buiten dit bereik.
- Het bedrijfstemperatuurbereik is van -40 °F tot 113 °F (-40 °C tot 45 °C). Gebruik het product niet buiten dit bereik.
- Het opslagtemperatuurbereik is van -40 °F tot 167 °F (-40 °C tot 75 °C). Bewaar het product niet buiten dit bereik.

FCC-naleving

Dit apparaat voldoet aan Part 15 Part B van de FCC-regels. Het gebruik is onderworpen aan de volgende twee voorwaarden:

1. Dit apparaat mag geen schadelijke interferentie veroorzaken, en
2. Dit apparaat moet enige ontvangen interferentie accepteren, inclusief interferentie die een ongewenste werking kan veroorzaken.

Eventuele wijzigingen of aanpassingen die niet uitdrukkelijk door de voor naleving verantwoordelijke partij zijn goedgekeurd, kan de bevoegdheid van de gebruiker om de apparatuur te bedienen ongeldig verklaren.

Contact

Van buiten de VS, Verenigd Koninkrijk, Ierland, Benelux, Frankrijk, Duitsland of Mexico kunt u contact opnemen met de distributeur of om ondersteuning vragen dan wel het product retourneren. Raadpleeg [Contact Us](#) aan het einde van deze beknopte handleiding voor contactinformatie.

Wat is inbegrepen

- LQGIC Graze S
- “Very Wide” filter (zeer breed)
- Beknopte handleiding

Gelijkstroom

Dit product wordt via een CAT6-aansluiting van 52 VDC door de LQIG Drive 2X gevoed. Download de gebruikershandleiding voor de LQIG Drive 2X vanaf www.iluminarc.com voor meer informatie.

Power Linking

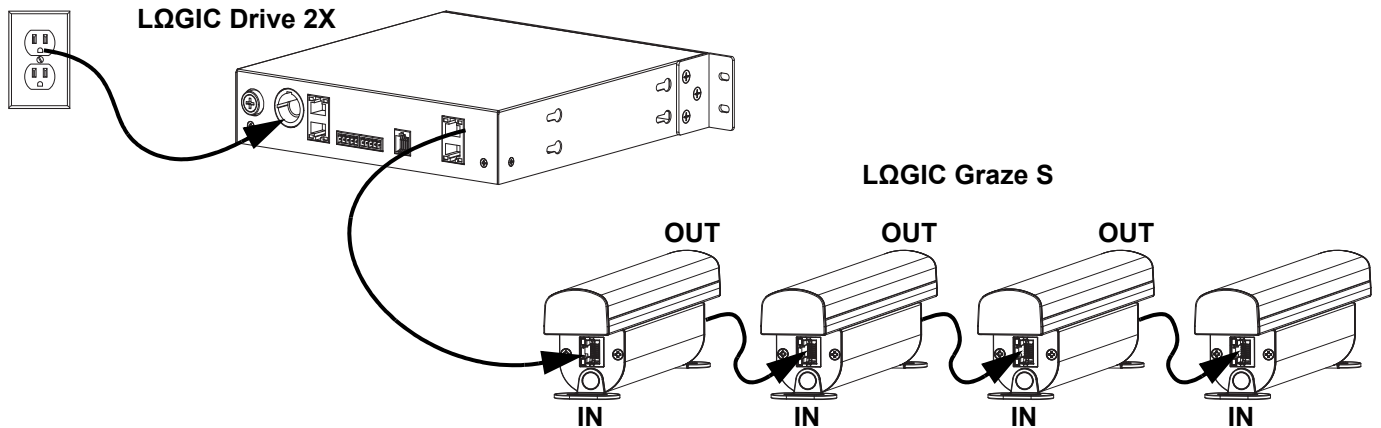
Het is mogelijk tot 6 LQIG Graze S-producten koppelen vanaf één uitgang van de LQIG Drive 2X.

Signaalkoppeling

De LQIG Graze S ontvangt via een CAT6-verbinding een regelsignaal (DMX, RDM, Art-Net™ of sACN) vanaf de LQIG Drive 2X.

Aansluiten en bekabelen

De LQIG Graze S heeft een IN-poort en een OUT-poort (uit) die CAT6/A-ethernetverbindingen vereisen.

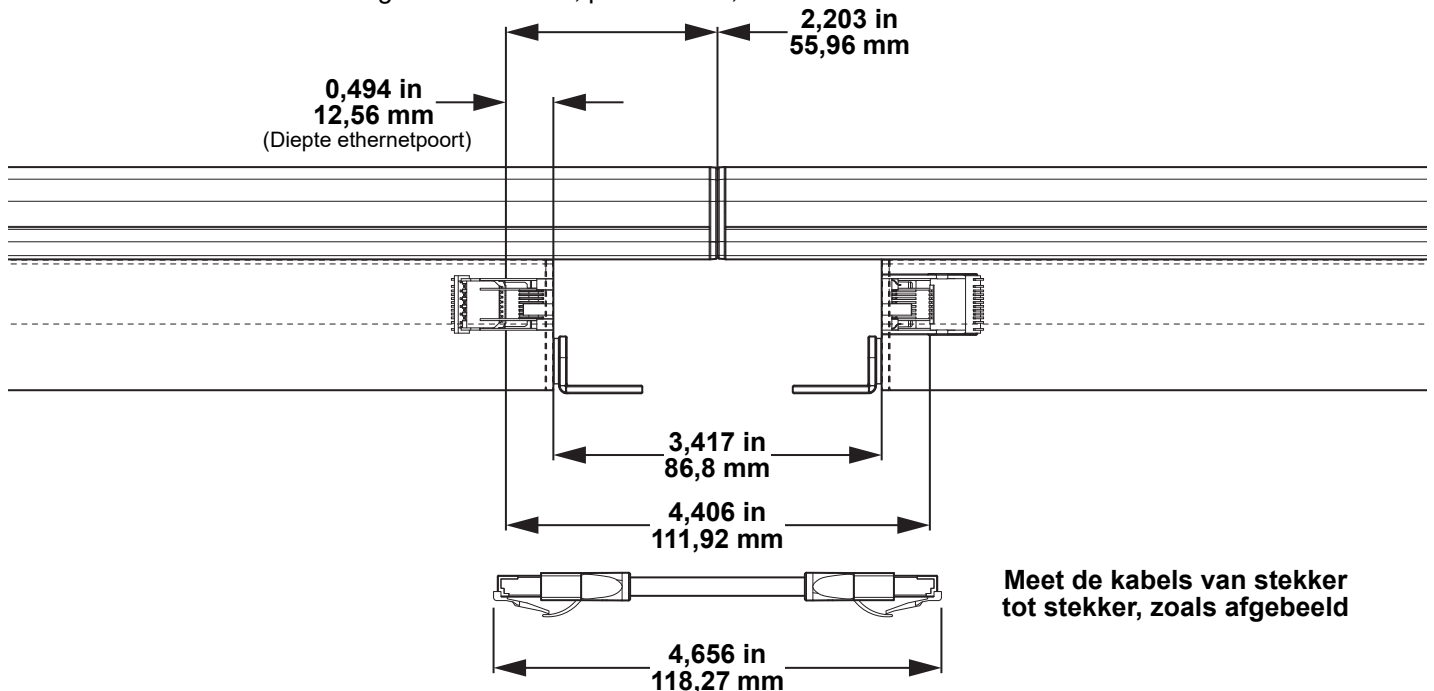


Kabelvereisten: ≥ 23 AWG ($\geq 0,5733$ mm) massieve koperdraad, afgeschermd CAT6/A, afgesloten met RJ45-connectoren.

- Gevlochten geleiders, niet ondersteund
- Totale maximale kabellengte (LQIG Drive 2X naar het eerste apparaat): ≤ 100 m / 328 ft
- Totale maximale kabellengte (LQIG Drive 2X tot het laatste apparaat): ≤ 140 m / 460 ft
- Totale maximale kabellengte (Eerste apparaat tot het laatste apparaat): ≤ 40 m / 131 ft

Gids voor de patchkabel

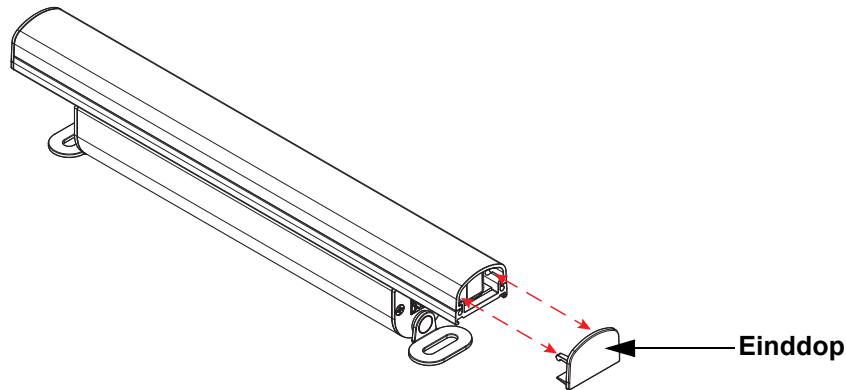
LQIG Graze S -producten die einde-tot-einde gemonteerd zijn, kunnen met een CAT6-patchkabel van slechts 118,27 mm van stekker tot stekker aangesloten worden, plusminus 6,35 mm.



De kabellengtetoleranties tussen fabrikanten variëren. Controleer vóór installatie altijd of kabels een geschikte lengte hebben.

Filter

De LQGIC Graze S wordt geleverd met een "Very Wide" filter (zeer breed) dat geïnstalleerd of gedeïnstalleerd kan worden door één van de eindkappen te verwijderen en het filter tussen de buitenbehuizing en de LED-lenzen in of uit te schuiven. Dit dient zonder gereedschap te gebeuren.



Het "Very Wide" filter (zeer breed) is flexibel en dient gebogen te worden om geïnstalleerd te worden.



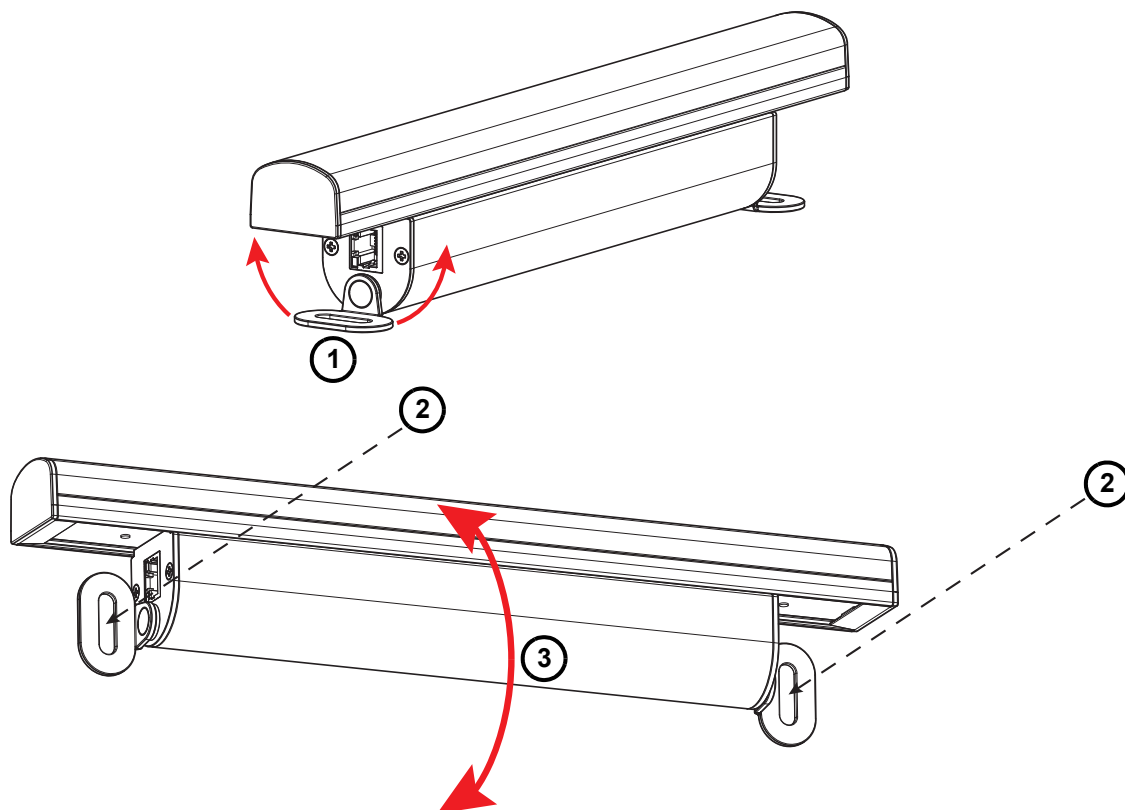
WAARSCHUWING: Het gebruik van gereedschap bij het verwijderen of installeren van de einddoppen kan schade aan het product veroorzaken.

Montage

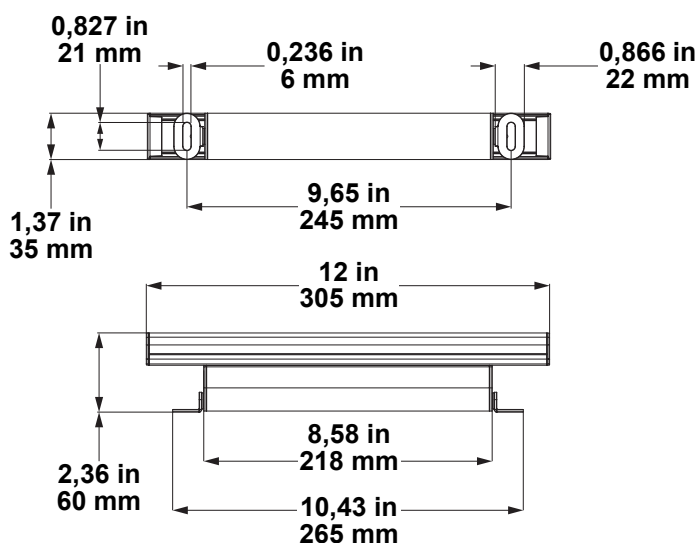
Lees alvorens dit product te monteren alle [Veiligheidsinstructies](#). Controleer of het montage-oppervlak en de apparatuur het gewicht van het product kan dragen.

Om de LQGIC Graze S in elke richting te monteren (opwaarts licht, neerwaarts licht of zijlicht):

1. Draai de geïntegreerde montagebeugels zodat ze niet door de behuizing van het product geblokkeerd worden.
2. Bevestig de beugels aan het montageoppervlak met M5, #10-32, of #12-24-schroeven of -bouten.
3. Indien nodig moet het lichaam van het product geheld worden.

Montagediagram

Productafmetingen



Menukaart

Ga via het menu van de LQIC Drive 2X **Linked Fixtures** naar het menu van de LQIC Graze S. Raadpleeg de productpagina's van LQIC Graze S en LQIC Drive 2X op www.iluminarc.com voor de nieuwste menukaart.

Hoofdniveau	Programmeerniveaus		Beschrijving
Dmx Address	001–512		Selecteert het DMX-adres
Personality	RED		1 kanaal: dimmer (alleen rood)
	GREEN		1 kanaal: dimmer (alleen groen)
	BLUE		1 kanaal: dimmer (alleen blauw)
	WHITE		1 kanaal: dimmer
	TW		2 kanalen, Aanpasbaar wit: dimmer, kleurtemperatuur
	RGB		3 kanalen: RGB-besturing
	RGBW		4 kanalen: RGBW-besturing
	RGBW+D		5 kanalen: dimmer, RGBW-besturing
Network	Net Switch	2.X.X.X	Selecteert de eerste waarde van het IP-adres
		10.X.X.X	
	Universe	000–255 / 001–256 (Art-Net™) (sACN)	Selecteert de universe
Local Info	Version	V _._.	Toont de geïnstalleerde firmwareversie
	IP Address	_. _ . _ . _ . _ . _ . _ . _ .	Toont het huidige IP-adres
	Fixture Hours	_ hours	Toont het aantal uren dat het product is ingeschakeld
	Label	POE Drive 2X	Toont het productetiket
	Device UID	_. _ . _ . _ . _ . _ . _ . _ .	Geeft de huidige UID
	MAC Address	_. _ . _ . _ . _ . _ . _ . _ .	Toont het MAC-adres
	Temperature	_. _ . °C	Toont de huidige temperatuur in °C
Factory Reset	No		Reset naar fabrieksinstellingen
	Yes		

RDM-kaart

Raadpleeg de productpagina van LQIG Graze S op www.iluminarc.com voor de nieuwste RDM-kaart.

GET	SET	Categorie	RDM-Parameter-ID's (Sleuf 21-22)	Waarde	Verplicht	Detail
		Network Management	DISC_UNIQUE_BRANCH	0x0001	✓	
			DISC_MUTE	0x0002	✓	
			DISC_UN_MUTE	0x0003	✓	
✓		RDM Information	QUEUED_MESSAGE	0x0020		
✓			SUPPORTED_PARAMETERS	0x0050	✓	IDENTIFY_DEVICE, DEVICE_INFO, SOFTWARE_VERSION_LABEL, SUPPORTED_PARAMETERS, DMX_START_ADDRESS, DEVICE_MODEL_DESCRIPTION, MANUFACTURER_LABEL, DEVICE_LABEL, DMX_PERSONALITY, PERSONALITY_DESCRIPTION, SENSOR_DEFINITION, SENSOR_VALUE
✓			PARAMETER_DESCRIPTION	0x0051	✓	
✓		Product Information	DEVICE_INFO	0x0060	✓	1, RDM Protocol Version: V1.0; 2, Device_Mode_ID: 0x1732; 3, Product Category Defines: PRODUCT_CATEGORY_FIXTURE_FIXED; 4, Software Version ID; 5, DMX512 Footprint; 6, DMX512 Personality; 7, DMX512 Start Address; 8, Sensor Count;
			PRODUCT_DETAIL_ID_LIST	0x0070		
✓			DEVICE_MODEL_DESCRIPTION	0x0080		LOGICGZS
✓			MANUFACTURER_LABEL	0x0081		ILUMINARC
✓	✓		DEVICE_LABEL	0x0082		LOGICGZS
✓			SOFTWARE_VERSION_LABEL	0x00C0	✓	V._.
✓	✓		FACTORY_DEFAULTS			FACTORY_DEFAULTS : yes
✓	✓	DMX Setup	DMX_PERSONALITY	0x00E0		9pcs persons
✓			DMX_PERSONALITY_DESCRIPTION	0x00E1		RED/1CH, GREEN/1CH, BLUE/1CH, WHITE/1CH, TW/2CH, RGB/3CH, RGBW/4CH, RGBW+D/5CH, FULL/10CH
✓	✓		DMX_START_ADDRESS	0x00F0	✓	1-503
✓		Sensors	SENSOR_DEFINITION	0x0200		0.) Product Temperature __ °C
✓			SENSOR_VALUE	0x0201		—20° —100°
✓	✓	Control	IDENTIFY_DEVICE	0x1000	✓	Identify State: Off

DMX-waarden**FULL (10 kanalen)**

Kanaal	Functie	Waarde	Percentage/Instelling
1	Dimmer	000 ⇔ 255	0–100%
2	Rood	000 ⇔ 255	0–100%
3	Groen	000 ⇔ 255	0–100%
4	Blauw	000 ⇔ 255	0–100%
5	Wit	000 ⇔ 255	0–100%
6	Kleurtemperatuur	000 ⇔ 010	Geen functie
		011 ⇔ 020	1800K
		021 ⇔ 030	2200K
		031 ⇔ 040	2700K
		041 ⇔ 050	3000K
		051 ⇔ 060	3200K
		061 ⇔ 070	4000K
		071 ⇔ 080	4500K
		081 ⇔ 090	5000K
		091 ⇔ 100	5600K
		101 ⇔ 110	6000K
		111 ⇔ 120	6500K
		121 ⇔ 130	7000K
		131 ⇔ 140	8000K
		141 ⇔ 150	10000K
151 ⇔ 255	Geen functie		
7	Stroboscoop	000 ⇔ 009	Geen functie
		010 ⇔ 099	Stroboscoop, 0–25 Hz
		100 ⇔ 109	Geen functie
		110 ⇔ 179	Bliksem stroboscoop, langzaam tot snel
		180 ⇔ 189	Geen functie
		190 ⇔ 255	Willekeurigstroboscoop, langzaam tot snel
8	Automatisch programma's	000 ⇔ 040	Geen functie
		041 ⇔ 050	Automatische programma 1
		051 ⇔ 060	Automatische programma 2
		061 ⇔ 070	Automatische programma 3
		071 ⇔ 080	Automatische programma 4
		081 ⇔ 090	Automatische programma 5
		091 ⇔ 100	Automatische programma 6
		101 ⇔ 110	Automatische programma 7
		111 ⇔ 120	Automatische programma 8
		121 ⇔ 130	Automatische programma 9
		131 ⇔ 140	Automatische programma 10
141 ⇔ 255	Geen functie		
9	Programmasnelheid	000 ⇔ 255	Automatic program speed, langzaam tot snel
10	Dimmersnelheid	000 ⇔ 009	Geen functie
		010 ⇔ 129	Activeert de dimmercurve
		130 ⇔ 255	Deactiveert de dimmercurve

RGBW+D (5 kanalen)

Kanaal	Functie	Waarde	Percentage/Instelling
1	Dimmer	000 ⇔ 255	0–100%
2	Rood	000 ⇔ 255	0–100%
3	Groen	000 ⇔ 255	0–100%
4	Blauw	000 ⇔ 255	0–100%
5	Wit	000 ⇔ 255	0–100%

RGBW (4 kanalen)

Kanaal	Functie	Waarde	Percentage/Instelling
1	Rood	000 ⇔ 255	0–100%
2	Groen	000 ⇔ 255	0–100%
3	Blauw	000 ⇔ 255	0–100%
4	Wit	000 ⇔ 255	0–100%

RGB (3 kanalen)

Kanaal	Functie	Waarde	Percentage/Instelling
1	Rood	000 ⇔ 255	0–100%
2	Groen	000 ⇔ 255	0–100%
3	Blauw	000 ⇔ 255	0–100%

TW (Aanpasbaar wit: 2 kanalen)

Kanaal	Functie	Waarde	Percentage/Instelling
1	Dimmer	000 ⇔ 255	0–100%
2	Kleurtemperatuur	000 ⇔ 010	Geen functie
		011 ⇔ 020	1800K
		021 ⇔ 030	2200K
		031 ⇔ 040	2700K
		041 ⇔ 050	3000K
		051 ⇔ 060	3200K
		061 ⇔ 070	4000K
		071 ⇔ 080	4500K
		081 ⇔ 090	5000K
		091 ⇔ 100	5600K
		101 ⇔ 110	6000K
		111 ⇔ 120	6500K
		121 ⇔ 130	7000K
		131 ⇔ 140	8000K
		141 ⇔ 150	10000K
151 ⇔ 255	Geen functie		

WHITE (Wit, 1 kanaal)

Kanaal	Functie	Waarde	Percentage/Instelling
1	Dimmer	000 ⇔ 255	Alleen wit, 0–100%

BLUE (Blauw, 1 kanaal)

Kanaal	Functie	Waarde	Percentage/Instelling
1	Dimmer	000 ⇔ 255	Alleen blauw, 0–100%

GREEN (Groen, 1 kanaal)

Kanaal	Functie	Waarde	Percentage/Instelling
1	Dimmer	000 ⇔ 255	Alleen groen, 0–100%

RED (Rood, 1 kanaal)

Kanaal	Functie	Waarde	Percentage/Instelling
1	Dimmer	000 ⇔ 255	Alleen rood, 0–100%

Technische Specificaties**Afmetingen en gewicht**

Lengte	Breedte	Hoogte	Gewicht
305 mm (12 in)	35 mm (1,37 in)	60 mm (2,36 in)	0,5 kg (1,1 lb)

Let op: Afmetingen in inches zijn afgerond.

Stroom

Stroombron	Ingangsspanning	Spanning Selectie
Power over Ethernet	52-56 VDC	Vaste
Vermogen met één armatuur	Totaal koppelvermogen per poort	Power Linking
12,5 W via POE	75 W via POE	6 producten per poort/PoE injector
Stroom I/O	VS/wereldwijde	VK/Europa
Stroomingangsstekker	Ethernet RJ45	Ethernet RJ45
Stroomuitgangsstekker	Ethernet RJ45	Ethernet RJ45
Kabeltyp (vereist)	CAT6	CAT6

Lichtbron

Type	Kleur	Aantal	Vermogen	Stroomsterkte	Levensduur
LED	RGBW	9	2,5 W	870 mA	50.000 uur

Photometrics

Filter	Stralingshoek	Field hoek	Drempelhoek	Verlichtingssterkte @ 5 m
Open optiek	121,4° x 120,5°	142,3° x 164,1°	150,2°	10 lux
Middelgroot (vooraf geïnstalleerd)	29° x 41,3°	59,7° x 82,2°	100,1°	43 lux
Zeer breed (inbegrepen)	46,1° x 50,5°	166,1° x 149,3°	253,9°	11 lux

Bekabelen

Vereist kabeltype	Vereiste diameter geleider	Vereist materiaal geleider	Vereiste afsluiter kabel
CAT6/A, afgeschermd	≥23 AWG (≥0,5733 mm)	Blote massieve koperdraad (gevlochten niet ondersteund)	RJ45, T568B standaard
Aanbevolen kabel	Totale maximale kabellengte (Drive 2X naar het eerste apparaat)	Totale maximale kabellengte (Drive 2X tot het laatste apparaat)	Totale maximale kabellengte (Eerste apparaat tot het laatste apparaat)
Belden 2413F, 2412F, or equivalent	328 ft (100 m)	460 ft (140 m)	131 ft (40 m)

Thermisch

Omgevingstemperatuurbereik	Koelsysteem
-20 °C tot 45 °C (-4 °F tot 113 °F)	Convectie

Bestellen

Productbeschrijving	Productnaam	Artikelcode	UPC Nummer
LOGIC Graze S	LOGICGZS	1541733	781462220815

Contact Us

General Information	Technical Support
World Headquarters	
Address: 5200 NW 108th Ave. Sunrise, FL 33351 Voice: (954) 577-4455 Fax: (954) 929-5560 Toll Free: (800) 762-1084	Voice: (844) 393-7575 Fax: (954) 756-8015 Email: support@iluminarc.com Website: www.iluminarc.com
U.K.	
Address: Unit 1C Brookhill Road Industrial Estate Pinxton, Nottingham, UK NG16 6NT Voice: +44 (0) 1773 511115 Fax: +44 (0) 1773 511110	Email: UKtech@chauvetlighting.eu Website: www.iluminarc.com
Benelux	
Address: Stokstraat 18 9770 Kruishoutem Belgium Voice: +32 9 388 93 97	Email: BNLtech@chauvetlighting.eu Website: www.iluminarc.com
France	
Address: 3, Rue Ampère 91380 Chilly-Mazarin France Voice: +33 1 78 85 33 59	Email: FRtech@chauvetlighting.fr Website: www.iluminarc.com
Germany	
Address: Bruno-Bürgel-Str. 11 28759 Bremen Germany Voice: +49 421 62 60 20	Email: DEtech@chauvetlighting.de Website: www.iluminarc.com
Mexico	
Address: Av. de las Partidas 34 - 3B (Entrance by Calle 2) Zona Industrial Lerma Lerma, Edo. de México, CP 52000 Voice: +52 (728) 690-2010	Email: servicio@chauvet.com.mx Website: www.iluminarc.com

Visit the applicable website above to verify our contact information and instructions to request support. Outside the U.S., U.K., Ireland, Mexico, France, Germany, or Benelux, contact the dealer of record.



UL 2108, UL 1598A
CSA C22.2 No. 250.2
E115166



RoHS

