

LOGIC Drive 2X

User Manual



Model ID: LOGICDRIVE2X

ILUMINARC®

Edition Notes

The LQGIC Drive 2X User Manual includes a description, safety precautions, installation, programming, operation, and maintenance instructions for the LQGIC Drive 2X as of the release date of this edition.

Trademarks

CHAUVET, the Chauvet logo, LQGIC, and LQGIC Drive 2X are registered trademarks or trademarks of Chauvet & Sons, LLC (d/b/a Chauvet and Chauvet Lighting) in the United States and other countries. Other company and product names and logos referred to herein may be trademarks of their respective companies.

Copyright Notice

The works of authorship contained in this manual, including, but not limited to, all design, text, and images are owned by Chauvet.

© **Copyright 2025 Chauvet & Sons, LLC. All rights reserved.**

Electronically published by Chauvet in the United States of America.

Manual Use

Chauvet authorizes its customers to download and print this manual for professional information purposes only. Chauvet expressly prohibits the usage, copy, storage, distribution, modification, or printing of this manual or its content for any other purpose without written consent from Chauvet.

Document Printing

For best results, print this document in color, on letter size paper (8.5 x 11 in), double-sided. If using A4 paper (210 x 297 mm), configure the printer to scale the content accordingly.

Intended Audience

Any person installing, operating, and/or maintaining this product should completely read through the guide that shipped with the product, as well as this manual, before installing, operating, or maintaining this product.

Disclaimer

Chauvet believes that the information contained in this manual is accurate in all respects. However, Chauvet assumes no responsibility and specifically disclaims any and all liability to any party for any loss, damage, or disruption caused by any errors or omissions in this document, whether such errors or omissions result from negligence, accident, or any other cause. Chauvet reserves the right to revise the content of this document without any obligation to notify any person or company of such revision, however, Chauvet has no obligation to make, and does not commit to make, any such revisions.

Document Revision

Go to www.iluminarc.com for the latest version.

Revision	Date	Description
3	07/2025	Updated menu map, MR16 DNS connection instructions, Wall Con instructions, Web Server and Firmware Update instructions. Added Match Net, DHCP, Error Codes.

TABLE OF CONTENTS

1. Before You Begin 1

 What Is Included 1

 Claims 1

 Text Conventions 1

 Symbols 1

 Safety Notes..... 2

 FCC Statement of Compliance 3

 Expected LED Lifespan..... 3

2. Introduction 4

 Features 4

 Product Overview 4

 Front Panel Overview..... 4

 Front Panel Description 4

 Rear Panel Overview 4

 Rear Panel Description..... 4

 Product Dimensions 5

3. Setup 6

 AC Power 6

 Emergency Backup Power 6

 AC Plug 6

 Fuse Replacement 6

 LQGIC Wall Controller 7

 RJ12 Cable Wiring 7

 Signal Connections 8

 Control Personalities 8

 DMX Linking 8

 Remote Device Management 8

 DMX/RDM Connection Diagram..... 8

 Art-Net™ Connection 9

 sACN Connection..... 9

 Ethernet Connection Diagram 9

 Terminating CAT6 Cables with RJ45 Connectors..... 9

 LQGIC Product Chaining 10

 Mixing LQGIC Products..... 11

 LQGIC POE X Linking..... 11

 Mounting 12

 Orientation..... 12

 Rigging 12

 Rack Mounting 12

 Wall/Surface Mounting 12

 Mounting Diagram 12

4. Operation 13

- Control Panel Description 13
- Programming..... 13
 - Password 13
- Menu Map 13
- RDM Chart 16
- Home Screen 17
- Control Protocol 17
- Local..... 17
 - Net Switch 17
 - Universe 17
 - Password Lock..... 17
 - Output Status 18
 - Local Information..... 18
 - Priority 18
 - Reset..... 18
 - History 18
 - Disconnecting Products from the LQGIC Drive 2X 18
 - Wall Con Configuration 19
 - Wall Con Address 19
 - Wall Con Group 19
 - Wall Con Scene Buttons..... 19
 - Match Net..... 20
 - DHCP 20
- Linked Fixture..... 21
 - Linked LQGIC Product Menu Map 21
 - Individual LQGIC Product Configuration 22
 - Individual Product Control Personality..... 22
 - Starting Address 22
 - Network Settings 22
 - Information..... 22
 - Output Status..... 22
 - Factory Reset 22
 - LQGIC Product Group 23
 - Renew 23
 - Global Control Personality 23
 - Power Selection 23
 - Breaking Signal 23
- Control Channel Assignments and Values..... 24
- Static 25
- Record..... 25
 - Recording 25
 - Display Menu Playback..... 25
 - Scene Brightness through Display Menu 25
 - LQGIC Wall Controller Playback 26
 - Scene Brightness with LQGIC Wall Controller 26
 - Scene Lock..... 26
 - Erase Recording 26

System Clock	26
Setting Clock	26
Schedule	26
Everyday	27
By date	27
By week	27
Fade In and Fade Out	27
Enable Clock	27
Web Server	28
Home	28
Status	28
Devices List	29
Fixture	29
Injector	29
Key List	29
Wall Con Zone	30
Settings	31
Administrator Settings	32
Firmware Update	32
Firmware Update Links	33
Error Codes	33
5. Maintenance	34
Product Maintenance	34
6. Technical Specifications	35
Contact Us	36
Warranty & Returns	36

1. Before You Begin

What Is Included

- LQGIC Drive 2X
- Seetronic Powerkon IP65 power cable
- LQGIC Wall Controller
- 2 short rack ear brackets
- Quick Reference Guide

Claims

Carefully unpack the product immediately and check the container to make sure all the parts are in the package and are in good condition.





If the box or the contents (the product and included accessories) appear damaged from shipping, or show signs of mishandling, notify the carrier immediately, not Chauvet. Failure to report damage to the carrier immediately may invalidate your claim. In addition, keep the box and contents for inspection.

For other issues, such as missing components or parts, damage not related to shipping, or concealed damage, file a claim with Chauvet within 7 days of delivery.

Text Conventions

Convention	Meaning
1–512	A range of values
50/60	A set of values of which only one can be chosen
Settings	A menu option not to be modified
<ENTER>	A key to be pressed on the product's control panel

Symbols

Symbol	Meaning
	Electrical warning. Not following these instructions may cause electrical damage to the product, accessories, or the user.
	Critical installation, configuration, or operation information. Not following these instructions may make the product not work, cause damage to the product, or cause harm to the operator.
	Important installation or configuration information. The product may not function correctly if this information is not used.
	Useful information.

 The term “DMX” used throughout this manual refers to the USITT DMX512-A digital data transmission protocol.

Connection of the control signal: DMX line

- The product has XLR sockets for DMX input and output.
- **Notice:** This control circuit is isolated and belongs to the Class 2 data port.

The control circuit has a cumulative leakage current of less than 3.5 mA.

Safety Notes

Read all the following safety notes before working with this product. These notes contain important information about the installation, usage, and maintenance of this product.



This product contains no user-serviceable parts. Any reference to servicing in this User Manual will only apply to properly trained, certified technicians. Do not open the housing or attempt any repairs.



All applicable local codes and regulations apply to proper installation of this product.

- The connected luminaires are intended for professional use only.
- If an external flexible cable or cord of these luminaires is damaged, it shall be replaced by a special cord or cord exclusively available from the manufacturer or its service agent.
- The light sources contained in these luminaires shall only be replaced by the manufacturer or its service agent or a similar qualified person.
- **CAUTION:**
 - This product's housing may be hot when operating. Mount this product in a location with adequate ventilation, at least 20 in (50 cm) from adjacent surfaces.
 - When transferring the product from extreme temperature environments, (e.g., cold truck to warm humid ballroom) condensation may form on the internal electronics of the product. To avoid causing a failure, allow the product to fully acclimate to the surrounding environment before connecting it to power.
 - Flashing light is known to trigger epileptic seizures. User must comply with local laws regarding notification of strobe use.
- **ALWAYS:**
 - Disconnect from power before cleaning the product or replacing the fuse.
 - Replace the fuse with the same type and rating.
 - Use a safety cable when mounting this product overhead.
 - Connect this product to a grounded and protected circuit.
- **DO NOT:**
 - Open this product. It contains no user-serviceable parts.
 - Look at light sources when connected products are on.
 - Leave any flammable material within 50 cm of this product while operating or connected to power.
 - Connect this product to a dimmer or rheostat.
 - Operate this product if the housing or cables appear damaged.
 - Operate this product outdoors or in any location where dust, excessive heat, water, or humidity may affect it (adhere to standards for the published IP rating).
- The maximum ambient temperature is 113 °F (45 °C). Do not operate this product at higher temperatures.
- The minimum startup temperature is -4°F (-20°C). Do not start the product at lower temperatures.
- The minimum ambient temperature is -22°F (-30°C). Do not operate the product at lower temperatures.
- To eliminate unnecessary wear and improve its lifespan, during periods of non-use completely disconnect the product from power via breaker or by unplugging it.
- In the event of a serious operating problem, stop using immediately.



If your Chauvet product requires service, contact Chauvet Technical Support.

FCC Statement of Compliance

This device complies with Part 15 Part B of the FCC rules. Operation is subject to the following two conditions:

1. This device may not cause harmful interference, and
2. This device must accept any interference received, including interference that may cause undesired operation.

This equipment has been tested and found to comply with the limits for a Class B digital device, pursuant to Part 15 of the FCC Rules. These limits are designed to provide reasonable protection against harmful interference in a residential installation. This equipment generates uses and can radiate radio frequency energy and, if not installed and used in accordance with the instructions, may cause harmful interference to radio communications. However, there is no guarantee that interference will not occur in a particular installation. If this equipment does cause harmful interference to radio or television reception, which can be determined by turning the equipment off and on, the user is encouraged to try to correct the interference by one or more of the following measures:

- Reorient or relocate the receiving antenna.
- Increase the separation between the equipment and receiver.
- Connect the equipment into an outlet on a circuit different from that to which the receiver is connected.
- Consult the dealer or an experienced radio/TV technician for help.

Any changes or modifications not expressly approved by the party responsible for compliance could void the user's authority to operate the equipment.

Expected LED Lifespan

Over time, use and heat will gradually reduce LED brightness. Clustered LEDs produce more heat than single LEDs, contributing to shorter lifespans if always used at full intensity. The average LED lifespan is 40,000 to 50,000 hours. To extend LED lifespan, maintain proper ventilation around the product, and limit the overall intensity.

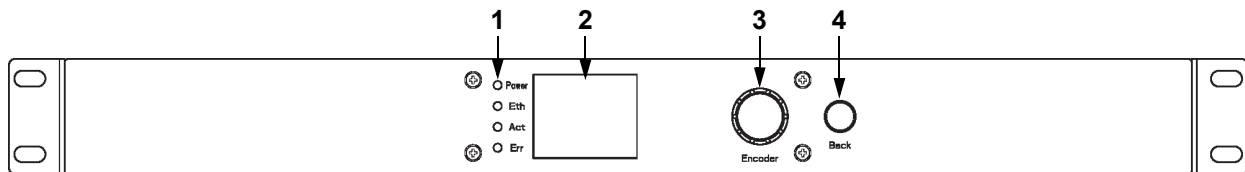
2. Introduction

Features

- 2 POE (Power Over Ethernet) outputs, each supplying up to 110W
- Control options include standard wall controllers, or DMX input via 5-pin XLR, Art-Net, or sACN
- Occupancy sensor-enabled
- Supports fixture hot-swapping and automatic fixture detection
- Current and voltage monitoring
- RDM compliant

Product Overview

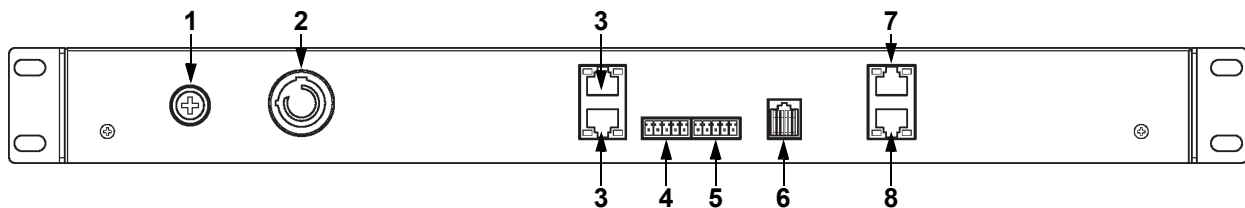
Front Panel Overview



Front Panel Description

#	Name	Function
1	LED indicators	POWER: green, indicates power connection NET: yellow, indicates ethernet connection ACT: white, indicates controller signal ERROR: red, indicates an error (see Warning Messages in the menu)
2	LCD display	Displays the menu of the product
3	<MENU> encoder	Rotate to navigate upwards or downwards through the menu list, and increase or decrease a selected numeric value. Push to enable the currently displayed menu option or set the currently selected value into the selected function.
4	<ESC/BACK> button	Exits the current menu or function

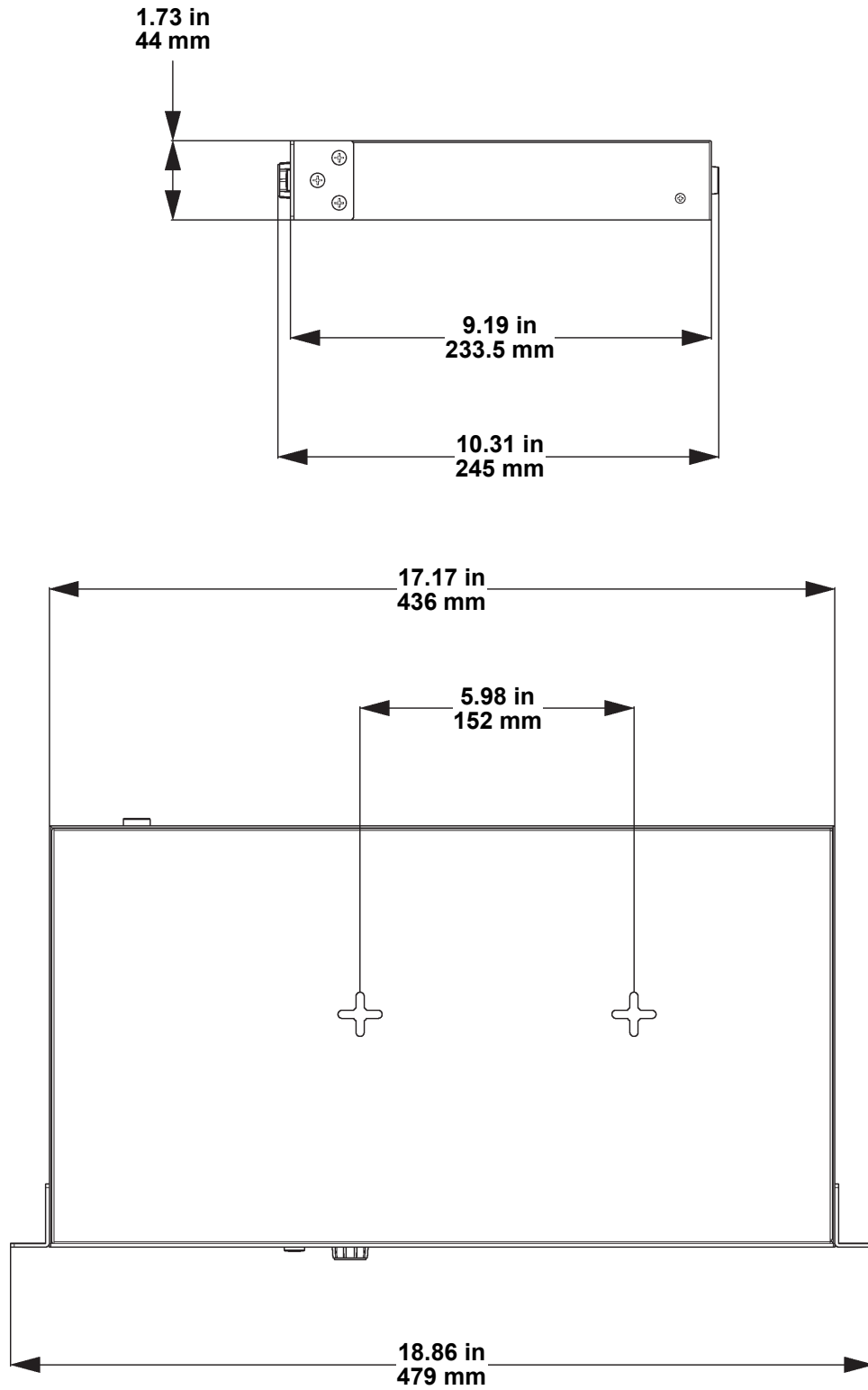
Rear Panel Overview



Rear Panel Description

#	Name	Function
1	Fuse holder	The receptacle for the power input fuse (T 3.15 A, 250V)
2	Power input	Seetronic TRUE1 power input connector
3	IN/THRU	RJ45 connectors for ethernet input and through
4	DMX IN	5-pin phoenix connector for DMX input
5	DMX OUT	5-pin phoenix connector for DMX output
6	WALL CON	RJ12 connector for LQGIC Wall Controller
7	OUTPUT 1	RJ45 connector for output to first group of LQGIC products
8	OUTPUT 2	RJ45 connector for output to second group of LQGIC products

Product Dimensions



3. Setup

AC Power

The LQGIC Drive 2X has an auto-ranging power supply and it can work with an input voltage range of 100 to 240 VAC, 50/60 Hz.

To determine the product's power requirements (circuit breaker, power outlet, and wiring), use the current value listed on the label affixed to the product's back panel, or refer to the [Technical Specifications](#). The listed current rating indicates the product's average current draw under normal conditions.



Always connect the product to a protected circuit (a circuit breaker or fuse). Make sure the product has an appropriate electrical ground to avoid the risk of electrocution or fire.

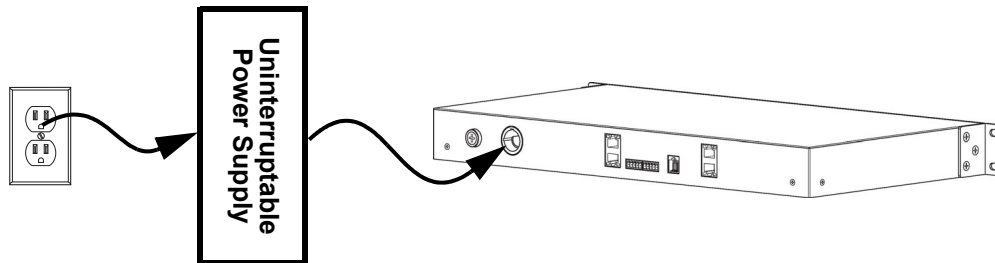


Never connect the product to a rheostat (variable resistor) or dimmer circuit, even if the rheostat or dimmer channel serves only as a 0 to 100% switch.

Emergency Backup Power

To keep the LQGIC system powered on and maintain the lighting in the case of an emergency, it is recommended to use a battery backup UPS (Uninterruptible Power Supply) between the LQGIC Drive 2X and the mains power, as well as between each POE injector and the mains power.

This UPS can be one which is hardwired directly to the power cord included with the LQGIC Drive 2X, or one with 120V Edison ports. See [AC Plug](#) for wiring information.



AC Plug

The LQGIC Drive 2X comes with a power input cord terminated with a Seetronic Powerkon IP65 connector on one end and an Edison plug on the other end (U.S. market). If the power input cord that came with the product has no plug, if the plug must be changed, or if the cable needs to be hardwired to a UPS, use the table below ensure correct wiring.

Connection	Wire (U.S.)	Wire (Europe)	Screw Color
AC Live	Black	Brown	Yellow or Brass
AC Neutral	White	Blue	Silver
AC Ground	Green/Yellow	Green/Yellow	Green

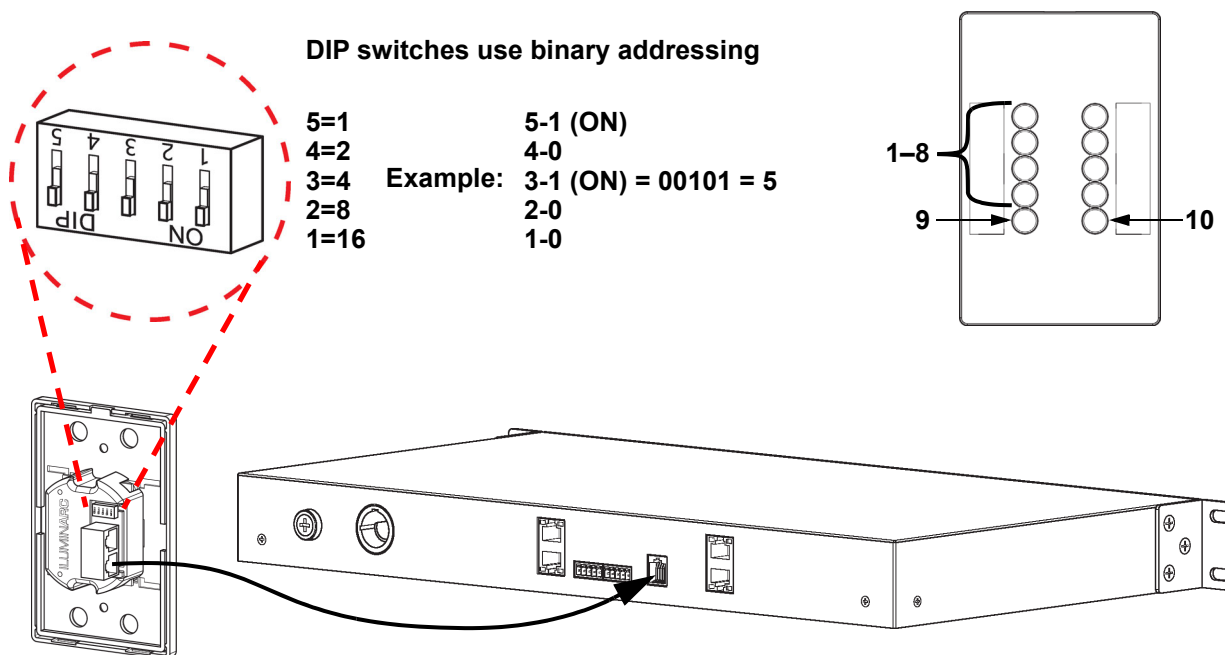
Fuse Replacement

1. Disconnect this product from the power outlet.
2. Using a Phillips-head screwdriver, unscrew the fuse holder cap from the housing.
3. Remove the blown fuse and replace with another fuse of the same type and rating (T 3.15 A, 250V).
4. Screw the fuse holder cap back in place and reconnect power.

LQGC Wall Controller

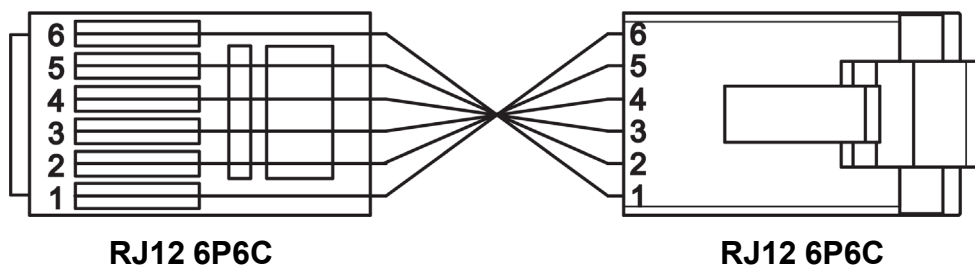
Each LQGC Drive 2X comes with a LQGC Wall Controller which can plug into the RJ12 connector on the back of the product.

- Buttons 1–8 trigger playback of the assigned recorded scenes (see [Record](#)).
- After triggering a scene, press that button again and hold it for 6-10 seconds to lock the controls and prevent tampering. The selected button’s LED backlight will flash to indicate success. Press and hold the button again to unlock the controls. See [Scene Lock](#) for more information.
- Buttons 9 and 10 decrease and increase the brightness of the connected LQGC products.
- 5-bit DIP switches set the address of the LQGC Wall Controller with a binary number value. Each LQGC Wall Controller must have a unique address set by this DIP switch (from 0–31), or the LQGC Drive 2X will be unable to respond to any LQGC Wall Controller. The order of addresses does not matter, only that they do not repeat.
- Up to 4 LQGC Wall Controller products can be chained to one LQGC Drive 2X, allowing versatile and convenient control from multiple locations.
- The LQGC Wall Controller requires an RJ12 cable with flipped/reversed wiring. See [RJ12 Cable Wiring](#) for more information.
- See [Wall Con Configuration](#) for information on assigning connected LQGC Wall Controller products to groups and assigning scenes for playback to each button.



RJ12 Cable Wiring

The LQGC Wall Controller requires an RJ12 cable with flipped/reversed wiring. This means that pin 1 on one side connects to pin 6 on the other side, pin 2 connects to pin 5, pin 3 connects to pin 4, and so on. Using an RJ12 cable without flipped wiring may damage the product.



WARNING! The LQGC Wall Controller requires a flipped/reverse RJ12 cable! Incorrect wiring may damage the product!

Signal Connections

The LQGIC Drive 2X can receive a DMX, RDM, Art-Net™, or sACN control signal. If using other compatible products with this product, each can be individually controlled with a single controller.

Control Personalities

The LQGIC Drive 2X uses a 5-pin phoenix connection to receive DMX or RDM, or an ethernet connection to receive Art-Net™ or sACN, and a CAT6 ethernet connection to send control data to connected products for its 9 control personalities, ranging from 1 to 10 channels.

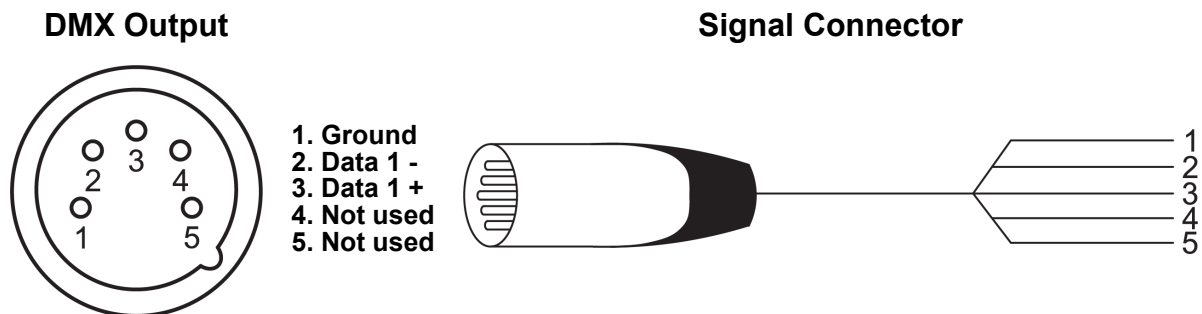
- Refer to the [Operation](#) chapter to learn how to configure the LQGIC Drive 2X to work in these personalities.
- The [Control Channel Assignments and Values](#) section provides detailed information regarding the control personalities.



If you are not familiar with or need more information about DMX standards or the DMX cables needed to link this product to a DMX controller, download the DMX Primer from the Chauvet website: www.iluminarc.com.

DMX Linking

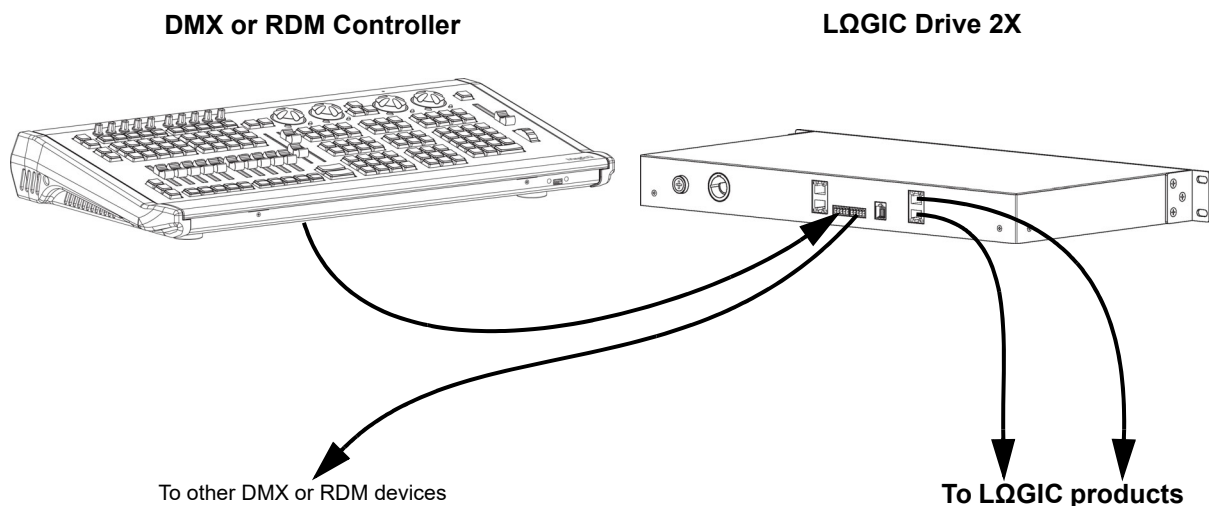
The LQGIC Drive 2X will work with a DMX controller using a 5-pin phoenix connector. For more information about DMX, read the DMX primer at: https://www.chauvetprofessional.com/wp-content/uploads/2016/06/DMX_Primer.pdf.



Remote Device Management

Remote Device Management, or RDM, is a standard for allowing DMX-enabled devices to communicate bi-directionally along existing DMX cabling. Check the DMX controller's User Manual or with the manufacturer as not all DMX controllers have this capability. The LQGIC Drive 2X supports RDM protocol that allows feedback to make changes to menu map options.

DMX/RDM Connection Diagram



Art-Net™ Connection

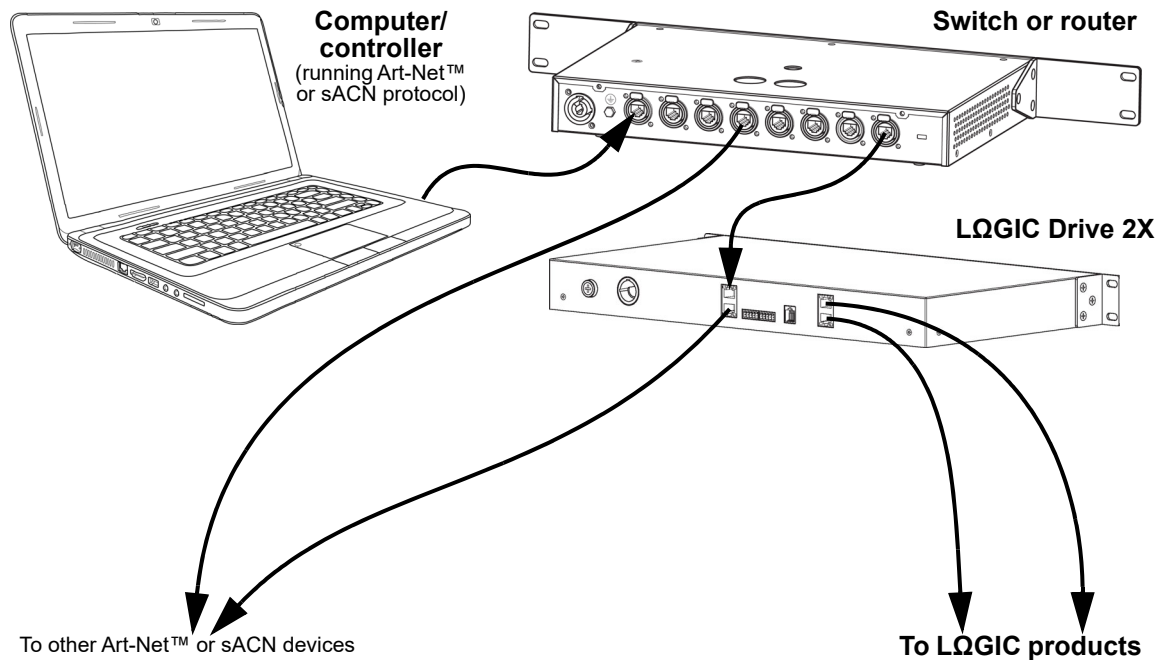
Art-Net™ is an Ethernet protocol that uses TCP/IP which transfers a large amount of DMX512 data using an ethernet connection over a large network. An Art-Net™ protocol document is available from www.iluminarc.com.

Art-Net™ designed by and copyright Artistic Licence Holdings Ltd.

sACN Connection

Also known as ANSI E1.31, streaming ACN is an Ethernet protocol that uses the layering and formatting of Architecture for Control Networks to transport DMX512 data over IP or any other ACN compatible network.

Ethernet Connection Diagram



Terminating CAT6 Cables with RJ45 Connectors

The LQIG Drive 2X communicates with Art-Net™ or sACN controllers and with connected LQIG products via RJ45 ethernet ports. In many applications, a cable with an attached connector will not fit through the required space, but will fit without the connector.

The LQIG system requires the use of T568B standard cable termination. Use the following table and diagram to ensure the RJ45 connectors are installed correctly to the CAT6 cables.

Pin	Wire Color	Pair	Diagram	
1	White/Orange	2	} Pair 2	
2	Orange	2		
3	White/Green	3	} Pair 1	
4	Blue	1		
5	White/Blue	1	} Pair 3	
6	Green	3		
7	White/Brown	4	} Pair 4	
8	Brown	4		

LQGC Product Chaining

The LQGC Drive 2X powers and controls each connected LQGC product via a Power Over Ethernet (POE) connection. When linking LQGC products to the LQGC Drive 2X, there is a set maximum number of each LQGC product which can be powered by a single port.

Product	Capacity per Port/POE	Power Consumption (per Product/Total)
LQGC AR111 Downlight M	3	27 W each / 81 W total
LQGC AR111 Downlight S	5	15.5 W each / 77.5 W total
LQGC MR16 Downlight S	8	8.3 W each / 66.4 W total*
LQGC Cove M	5	15 W each / 75 W total
LQGC Cove S	8	9.3 W each / 74.4 W total
LQGC Graze L	2	37.5 W each / 75 W total
LQGC Graze S	6	12.5 W each / 75 W total



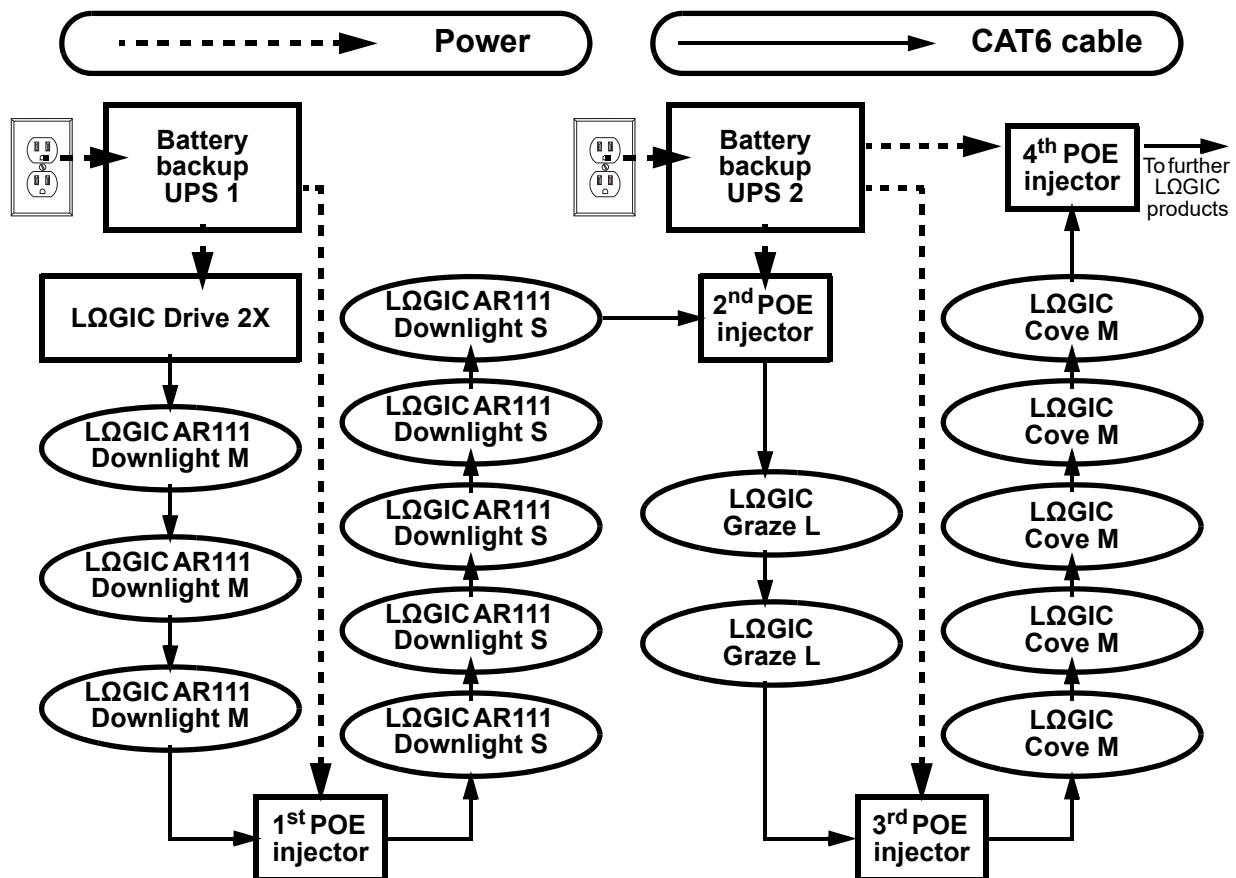
*The LQGC MR16 Downlight S has additional power requirements which affect the maximum number of products that can be linked per port or POE injector. See [LQGC POE X Linking](#) for more information.

Once that capacity has been reached, a POE injector must be incorporated into the chain to continue adding products. By continuing to add POE injectors as needed, a total of 40 LQGC products can be linked to each port of the LQGC Drive 2X (GD model, or up to 30 for the STM model), regardless of the power consumption per product, and including LQGC POE X and POE injector products. Use only POE++, IEEE 802.3 bt, type 4 injectors (4PPOE).



When using 3rd party POE injectors with the LQGC system, the power consumption monitoring function in the LQGC Drive 2X may become unavailable.

Refer to the [Technical Specifications](#) for the total maximum cable lengths possible.



Mixing LQGC Products

While it is not recommended to mix different LQGC products in a section of chain powered by a single POE injector, it is possible to do so. For the best results when mixing multiple product types, keep the combined power consumption at or under 75 W before adding another POE injector to the chain.

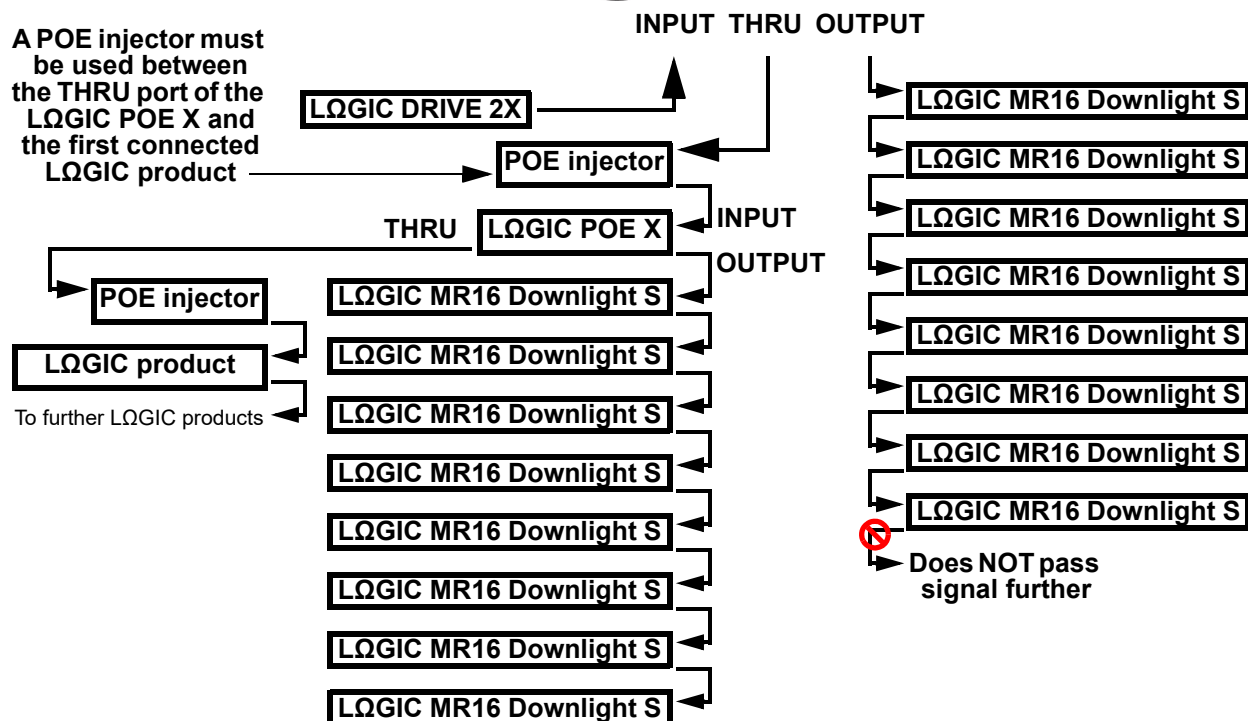
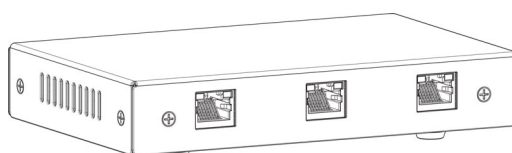
LQGC POE X Linking

The LQGC MR16 Downlight S requires the use of a LQGC POE X between the first LQGC MR16 Downlight S in a chain and power source (LQGC Drive 2X or a POE injector). The LQGC POE X steps down the POE voltage and performs a digital handshake which is necessary to allow the LQGC MR16 Downlight S to link correctly with the LQGC Drive 2X.

The LQGC POE X has 3 ethernet ports:

- INPUT: inputs power (52V) and data signal from the LQGC Drive 2X.
- THRU: for long-distance transmission. Outputs only the control signal from the LQGC Drive 2X, no power. A POE injector must be used BEFORE the first LOGIC product in the chain to power it and further products connected to this port.
- OUTPUT: outputs power (48V) and data signal from the LQGC Drive 2X. It is possible to connect up to 8 LQGC MR16 Downlight S products in this way.

LQGC POE X



- Each LQGC POE X and POE injector product counts towards the total of 30 or 40 products which each port of the LQGC Drive 2X can handle, depending on the model.
- With only LQGC POE X, POE injector, and LQGC MR16 Downlight S products connected as above, each port of the LQGC Drive 2X can handle up to:
 - STM model: 24 LQGC MR16 Downlight S products, supported by 3 LQGC POE X products, 2 connected through a POE injector to the previous THRU port.
 - GD model: 32 LQGC MR16 Downlight S products, supported by 4 LQGC POE X products, 3 connected through a POE injector to the previous THRU port.



When using 3rd party POE injectors with the LQGC system, the power consumption monitoring function in the LQGC Drive 2X may become unavailable.

Mounting

Before mounting the product, read and follow the safety recommendations indicated in the [Safety Notes](#).

Orientation

Always mount this product in a safe position, making sure there is adequate room for ventilation, configuration, and maintenance.

Rigging

Chauvet recommends using the following general guidelines when mounting this product.

- Before deciding on a location for the product, make sure there is easy access to the product for maintenance.
- Make sure that the structure onto which the product is being mounted can support the product's weight. See the [Technical Specifications](#) for weight information.

Rack Mounting

The LQGIC Drive 2X fits nicely on a standard 19" rack, or it can be placed on a flat level surface.

Wall/Surface Mounting

The LQGIC Drive 2X has 2 four-directional tear-drop holes on the bottom for hanging on a wall or securing to a surface. Make sure that the mounting hardware and the surface to which it will be mounted can support the weight of the product.

1. Place the mounting hardware just under 6 inches apart (152 mm).



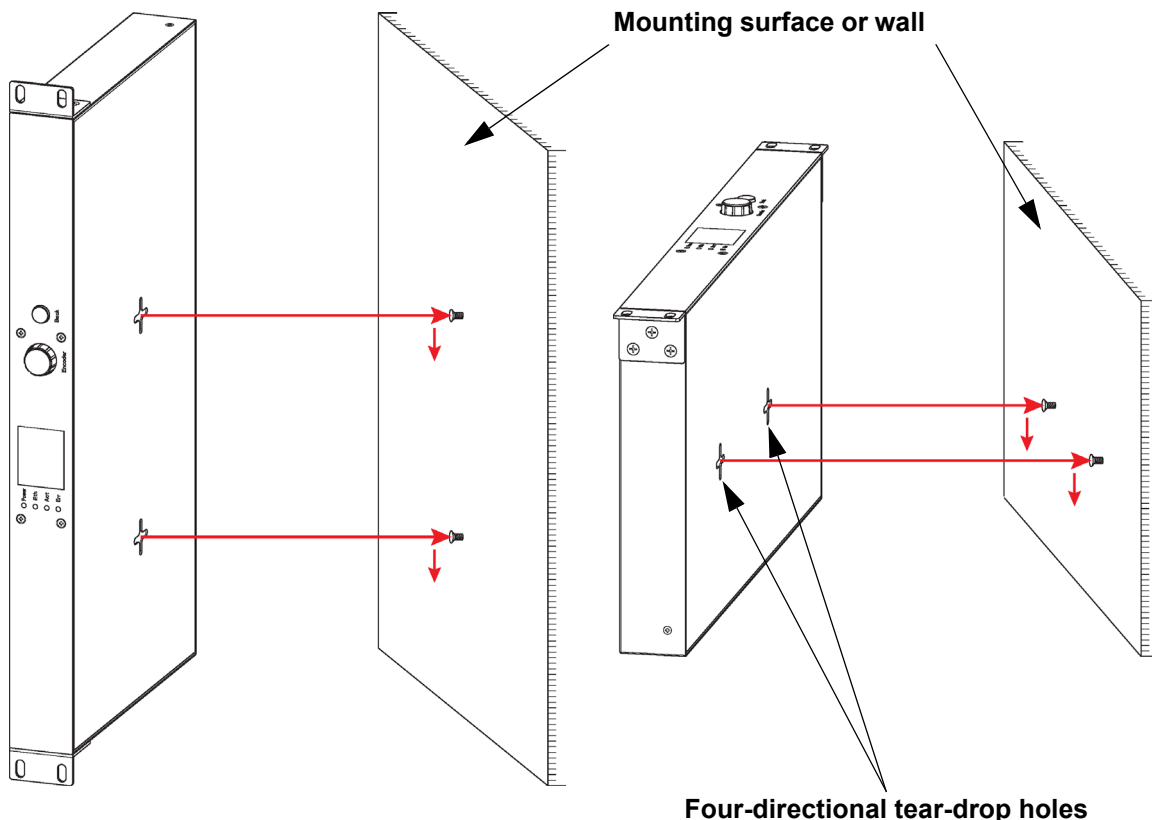
For maximum security, it is recommended to place the mounting hardware so they are at an equal height and the spacing between them is horizontal.

2. Position the four-directional tear-drop holes over the mounting hardware.
3. Shift the LQGIC Drive 2X in one direction as far as it can go, so that it is fully secure.



For maximum security, it is recommended to shift the LQGIC Drive 2X downward on the mounting hardware. Doing otherwise places the product at risk of being dislodged and falling.

Mounting Diagram



4. Operation

Control Panel Description

See the [Product Overview](#) for a detailed description of the control panel.

Programming

Refer to the Menu Map to understand the menu options. The menu map shows the main level and a variable number of programming levels for each option.

- To access the menu from the Home Screen, press the **<MENU>** encoder.
- To scroll through the options on each level of the menu, turn the **<MENU>** encoder. Turn it clockwise to scroll up, and turn it counter-clockwise to scroll down.
- Press the **<MENU>** encoder to select the highlighted option. This will take you to the next programming level for that option, or it will highlight a value that can be edited.
- To decrease a selected number value, turn the **<MENU>** encoder clockwise. To increase a selected number value, turn the **<MENU>** encoder counter-clockwise.
- Press **<ESC/BACK>** to exit to the previous main level, press repeatedly to return to the Home Screen.

Password





After being prompted to enter the password, use the **<MENU>** encoder to select and enter **123456**.

Menu Map

Refer to the LQGIC Drive 2X product page on www.iluminarc.com for the latest menu maps.

Main Level	Programming Levels		Description
Protocol	DMX512		Selects the control protocol
	ArtNet		
	sACN		
Net Switch	2.X.X.X		Selects the first value of the IP address
	10.X.X.X		
Universe	000–255 / 001–256 (Art-Net™) (sACN)		Selects universe
Password	ON		Enables/disables password lock: 123456
	OFF		
Output Status	Output 1 Status	Status: _ _ _ _ _	Shows Normal or Fault
		Connect: _ _ _	Shows On or Off
	Output 2 Status	CLASS: _ _ _ _ _	Shows None or 1–8
		V1: _ _ V Cur 1: _ _ mA V2: _ _ V Cur 2: _ _ mA Power: _ _ W	Shows voltage and current of output Shows power of output
Local	Version	V2.17	Shows current firmware version
	IP Address	_ _ . _ _ . _ _ . _ _	Shows the IP address
	Fixture Hours	_ hours	Shows length of time product has been on
		_ _ minutes	
		_ _ seconds	
	Label	Logic Drive 2X	Shows product label
	Device UID	_ _ _ _ _ - _ _	Shows device UID
	MAC Address	_ _ : _ _ : _ _ : _ _ : _ _ : _ _	Shows the MAC address
	Temperature	_ _ . _ °C	Shows the current temperature in °C
	Warning Message	_ _ _ _ _	Shows current error(s), e.g. “DMX Signal Lost” or “Devices No Longer Detected”
_ _ _ _ _			
Chip Name	STM32F407VGT6 or GD32F470VIT6	Shows the microprocessor chip STM models support up to 30 products per port, while GD support up to 40	

Main Level	Programming Levels			Description		
Local (cont.)	Priority	Wall Con		LQIGC Wall Con has priority		
		Signal		Signal input has priority		
	Reset	No		Resets the LQIGC Drive 2X to factory default settings		
		Yes				
	History	List	-----		Displays connected product history	
		Clear	No		Cancel clear	
			Yes		Clear history	
	Wall Con Zone	Wall Con Group 1-4	Wall ID1-4	OFF	Designates which of up to 4 connected LQIGC Wall Con products are in the selected group	
				00-31		
			Sensor	Sensor ID1-4		Reserved for future use
				Sensor Scene		
		Time				
		Group	00	Deactivates the group		
			01-254	Sets the group address		
	255		Sets the group to master control			
Scene1-8	01-64	Sets a Record slot to a scene button				
Match Net	No		Syncs all connected product Net Switch settings to this drive while active			
	Yes					
DHCP	ON		Enables or disables DHCP addressing			
	OFF					
Linked Fixture	Status	Output 1	Dmx Address	Sets selected product settings individually instead of all at once (see Linked LQIGC Product Menu Map)		
			Personality			
		Output 2	-----		Network	
			-----		Information	
			-----		Output Status	
			(or No device!)		Factory Reset	
	Renew	No			Re-scan for connected products	
		Yes				
	Personality	Red			1-channel: dimmer (red only)	
		Green			1-channel: dimmer (green only)	
Blue		1-channel: dimmer (blue only)				
White		1-channel: dimmer				
TW		2-channel, Tunable White: dimmer, color temperature				
RGB		3-channel: RGB				
RGBW		4-channel: RGBW				
RGBW+D		5-channel: dimmer, RGBW				
FULL		10-channel: dimmer, RGBW, color macros, strobe, auto programs and speed, dimmer speed				
Power Selection	Power 100%		Enables 100% power			
	Power 50%		Sets maximum power to 50%			
	Power 30%		Sets maximum power to 30%			
Breaking Signal	Current State		Holds value on signal loss			
	Blackout		Blacks out on signal loss			
	White		Switches to full on signal loss			

Main Level	Programming Levels			Description		
Static	Red	000-255		Temporary manual control of all connected products. Combine red, green, blue, and white to make a custom color.		
	Green	000-255				
	Blue	000-255				
	White	000-255				
	Strobe	000-255		Sets standalone strobe speed		
Record	Play	Record1-64 --:--:--	<input type="radio"/>  <input type="radio"/> 	Brightness: 000-255	Plays back recorded input. Press the <MENU> encoder to toggle play and stop.	
	Record	Record 1-64	<input type="radio"/>  <input type="radio"/> 		Captures/records live controller input to selected Record slot. Press the <MENU> encoder to start and stop.	
	Erase Record	Record 1-64 Clr	No Yes		Erases selected recording	
System Clock	Schedule	Everyday <input type="radio"/> /●	Turn on Turn off 00-23:00-59:00-59		Schedules daily times to turn on and off (stackable with other schedule options)	
		By date <input type="radio"/> /●	Turn on Turn off Month:01-12 Day:01-31 Year:2000-99		Schedules a date and time to turn on and off (stackable with other schedule options)	
		By week <input type="radio"/> /●	Mon : <input type="radio"/> /● Tues : <input type="radio"/> /● Wed : <input type="radio"/> /● Thur : <input type="radio"/> /● Fri : <input type="radio"/> /● Sat : <input type="radio"/> /● Sun : <input type="radio"/> /●		Schedules which days of the week to be on or off (stackable with other schedule options)	
	Setting Clock	SysClock:	24 hours			Shows system clock is 24-hour
		Date:	01-12:01-31:2000-2099			Sets the current date
		Time:	00-23:00-59:00-59			Sets the current time
		Week:	1-7			Sets the current day of the week
	Fade In/ Out	Fade In	On-instant			Sets fade in to instant
			On-3second fade			Sets fade in to 3-second fade
		Fade Out	Off-instant			Sets fade out to instant
Off-3second fade				Sets fade out to 3-second fade		
Enable Clock	No Yes			Enables/disables clock functions		

RDM Chart

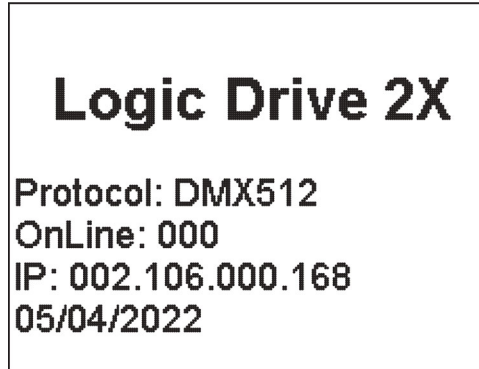
Refer to the LQGIC Drive 2X product page on www.iluminarc.com for the latest RDM chart.

GET	SET	Category	RDM Parameter IDs (Slot 21-22)	Value	Req.	Detail
		Network Management	DISC_UNIQUE_BRANCH	0x0001	✓	
			DISC_MUTE	0x0002	✓	
			DISC_UN_MUTE	0x0003	✓	
✓		RDM Information	QUEUED_MESSAGE	0x0020		
✓			SUPPORTED_PARAMETERS	0x0050	✓	IDENTIFY_DEVICE, DEVICE_INFO, SOFTWARE_VERSION_LABEL, SUPPORTED_PARAMETERS, DMX_START_ADDRESS, DEVICE_MODEL_DESCRIPTION, MANUFACTURER_LABEL, DEVICE_LABEL, DMX_PERSONALITY, PERSONALITY_DESCRIPTION, SENSOR_DEFINITION, SENSOR_VALUE
✓			PARAMETER_DESCRIPTION	0x0051	✓	
✓		Product Information	DEVICE_INFO	0x0060	✓	1, RDM Protocol Version: V1.0; 2, Device_Mode_ID: 0x1731; 3, Product Category Defines: PRODUCT_CATEGORY_FIXTURE FIXED; 4, Software Version ID; 5, DMX512 Footprint; 6, DMX512 Personality; 7, DMX512 Start Address; 8, Sensor Count;
			PRODUCT_DETAIL_ID_LIST	0x0070		
✓			DEVICE_MODEL_DESCRIPTION	0x0080		DRIVE 2X
✓			MANUFACTURER_LABEL	0x0081		ILUMINARC
✓	✓		DEVICE_LABEL	0x0082		DRIVE 2X
✓			SOFTWARE_VERSION_LABEL	0x00C0	✓	V_._
✓	✓		FACTORY_DEFAULTS			FACTORY_DEFAULTS : yes
✓		DMX Setup	DMX_PERSONALITY	0x00E0		9pcs persons
✓			DMX_PERSONALITY_DESCRIPTION	0x00E1		RED/1CH, GREEN/1CH, BLUE/ 1CH, WHITE/1CH, TW/2CH, RGB/ 3CH, RGBW/4CH, RGBW+D/5CH, FULL/10CH
✓	✓		DMX_START_ADDRESS	0x00F0	✓	1-503
✓		Sensors	SENSOR_DEFINITION	0x0200		0.) Product Temperature __ °C
✓			SENSOR_VALUE	0x0201		—20° —100°
✓	✓	Control	IDENTIFY_DEVICE	0x1000	✓	Identify State: Off

Home Screen

The LQGIC Drive 2X has a home screen that shows the current control protocol, number of connected LQGIC products, IP address, and date as set on the internal calendar. The home screen will also indicate if the System Clock has placed the product in **Shut off** mode.

To see the home screen, press **<ESC/BACK>** repeatedly until it shows on the display.



Control Protocol

The LQGIC Drive 2X works with DMX, Art-Net™, and sACN control signals. To select which protocol to use:

1. Go to the **Protocol** main menu.
2. Select the desired protocol, from **DMX512**, **ArtNet**, or **sACN**.

Local

The Local settings include the network settings for the LQGIC Drive 2X as well as system information and other general options.

Net Switch

To select the first value of the IP address for the LQGIC Drive 2X:

1. Go to the **Local** main menu.
2. Select the **Net Switch** option.
3. Select the first value of the IP address from **2.X.X.X** or **10.X.X.X**.



- **The first value of the IP address of each connected LQGIC product MUST match that of the LQGIC Drive 2X, or they will not be able to link properly.**
- **Changing the Net Switch setting may cause the LQGIC Drive 2X to disconnect from any connected products.**
- **See the [Match Net](#) setting for information on troubleshooting connected products with non-matching Net Switch settings.**

Universe

To assign an Art-Net™ or sACN universe to the LQGIC Drive 2X:

1. Go to the **Local** main menu.
2. Select the **Universe** option.
3. Set the universe, from **000–255** (for Art-Net™) or from **001–256** (for sACN).

Password Lock

To turn the password lock on or off:

1. Go to the **Local** main menu.
2. Select the **Password** option.
3. Select from **ON** or **OFF**.



When the password lock is activated, the product will prompt for the password in order to access the menu. Use the **<MENU> encoder to select and enter 123456.**

Output Status

To view the status of the output ports:

1. Go to the **Local** main menu.
2. Select the **Output Status** option.
3. Select the output, from **Output 1 Status** or **Output 2 Status**.
4. View the output data:
 - **Status**: Shows **Normal** or **Fault** (if no connection or faulty connection).
 - **Connect**: Shows **On** (connected) or **Off** (not connected).
 - **CLASS**: Shows **None** or the type of POE connection, from **1–8**.
 - **V1, Cur 1, V2, Cur 2, and Power**: electrical data in volts, milliamperes, and watts.

Local Information

To view general information about the LQGIC Drive 2X including the firmware version, microprocessor model, IP address, and any current errors:

1. Go to the **Local** main menu.
2. Select the **Local Info** option.
3. Select which information to view, from:
 - **Version** (current firmware version),
 - **IP Address**,
 - **Fixture Hours** (how long the product has been powered on, in hours, minutes, and seconds),
 - **Label**,
 - **Device UID**,
 - **MAC Address**,
 - **Temperature** (in degrees Celsius),
 - **Warning Messages** (current errors), and
 - **Chip Name** (shows which microprocessor this model uses, which affects the number of connected LQGIC products each port can support. Will show either **STM32F407VGT6**—30 per port—or **GD32F470VIT6**—40 per port).

Priority

To select whether input from a LQGIC Wall Controller or input from a control signal (DMX, Art-Net™, or sACN) will take priority over the other:

1. Go to the **Local** main menu.
2. Select the **Priority** option.
3. Select from **Control Panel** or **Signal**. The selected option will have priority.

Reset

To reset the LQGIC Drive 2X to factory default settings:

1. Go to the **Local** main menu.
2. Select the **Reset** option.
3. Select from **No** or **Yes**.



System Clock settings will not be reset.

History

The LQGIC Drive 2X keeps a record of all LQGIC products to which it has linked. To view the history:

1. Go to the **Local** main menu.
2. Select the **History** option.
3. Select the **List** option.

Disconnecting Products from the LQGIC Drive 2X

When any LQGIC product which has linked to the LQGIC Drive 2X is disconnected or removed, it will trigger an error message. To remove the error message, either reconnect the product or clear the history so the LQGIC Drive 2X no longer has a record of that product being linked. This can also be necessary after firmware updates.

To clear the history:

1. Go to the **Local** main menu.
2. Select the **History** option.
3. Select the **Clear** option.
4. Select from **No** (cancel) or **Yes** (clear).

Wall Con Configuration

The LQGIC Drive 2X can work with up to 4 connected LQGIC Wall Controller products. It is possible to separate them into zones for control of specific LQGIC products, put anywhere between 1 and all of them in the same zone, or have any number of them control all connected LQGIC products regardless of zone.

See [LQGIC Wall Controller](#) for information on connecting the LQGIC Wall Controller to the LQGIC Drive 2X, as well as on assigning each product a unique address using the DIP switch.

To access the Wall Con menu:

1. Go to the **Local** main menu.
2. Select the **Wall Con Zone** option
3. The following text will show on the display: **>Instructions: Can choose 1~4pcs Wall Con, address: 0~31 and OFF. Enter to choose. Back to exit.**
4. Press the **<MENU>** encoder to enter.
5. Select which of 4 possible zones to access and configure, from **Wall Con Group 1-4**.



The Group number selected here (the Wall Con Zone) is not related to the Group value which tells a LQGIC product which LQGIC Wall Controller product(s) to respond to. See [Wall Con Group](#) for that setting.

Wall Con Address

The unique address of each connected LQGIC Wall Controller product must be assigned to 1 of the 4 possible zones in order to function with the LQGIC Drive 2X. It is possible to:

- assign them all to a single zone,
- assign 2 to 1 zone and 2 to another zone,
- assign 2 to 1 zone and the other 2 to separate zones, or
- assign them each to separate zone.

To assign addressed LQGIC Wall Controller products to a **Wall Con Zone**:

1. Access the [Wall Con menu](#), selecting which zone to configure.
2. Select any of the 4 Wall ID slots, from **Wall ID1-4**.
3. Set the selected value to the address of the desired LQGIC Wall Controller product, from **00-31**, or to **OFF** to leave the selected slot unassigned.



Leave any unused Wall ID slots set to OFF.



No LQGIC Wall Controller address can be assigned to more than 1 Wall ID slot, whether in the same or different groups.

Wall Con Group

Each **Wall Con Zone** has a Group setting, which determines which LQGIC products will respond to the LQGIC Wall Controller product(s) assigned to that **Wall Con Zone**.

- Setting the Group value to **00** will deactivate the **Wall Con Zone**.
- Setting the Group value to **01-254** will make connected LQGIC products with the same [LQGIC Product Group](#) value respond to LQGIC Wall Controller products assigned to this **Wall Con Zone**.
- Setting the Group value to **255** will make all connected LQGIC products, regardless of [LQGIC Product Group](#) value, respond to LQGIC Wall Controller products assigned to this **Wall Con Zone**.

To set the Group value for a **Wall Con Zone**:

1. Access the [Wall Con menu](#), selecting which zone to configure.
2. Select the **Group** option.
3. Set the value from **00-255**.

Wall Con Scene Buttons

To assign a [Record](#) slot to one of the 8 **Scene** buttons of a **Wall Con Zone**:

1. Access the [Wall Con menu](#), selecting which zone to configure.
2. Select which button to configure, from **Scene1-8**.
3. Select the desired recording slot, from **01-64**,

Match Net

While active, the Match Net function changes the [Net Switch](#) setting of every connected LQIGIC product to match the setting of the LQIGIC Drive 2X. This allows the LQIGIC Drive 2X to interface with any products which are not set correctly and makes it possible to then correct that setting.

1. Go to the **Local** main menu.
2. Select the **Match Net** option.
3. Select from **No** (to disable) or **Yes** (to match Net Switch settings).



If the connected LQIGIC products still do not populate the [Linked Fixture](#) lists, it may be necessary to update the firmware of those products. See [Firmware Update](#) for more information.

DHCP

Dynamic Host Configuration Protocol automatically assigns an IP address to the LQIGIC Drive 2X, aside from the first value which is controlled by the [Net Switch](#) setting.

1. Go to the **Local** main menu.
2. Select the **DHCP** option.
3. Select from **ON** (to enable) or **OFF** (to disable).

Linked Fixture

Use control configurations to operate the connected LQIG products with a DMX, Art-Net™, or sACN controller.

Linked LQIG Product Menu Map

To access the menu map for a connected LQIG product:

1. Go to the **Linked Fixture** main menu.
2. Select **Status**.
3. Select the output to which the desired LQIG product is connected, from **Output 1** or **Output 2**.
4. Select the desired LQIG product. The selected product will flash its LEDs for the duration it is being accessed.

Refer to the LQIG Drive 2X product page and the product page for the selected LQIG product on www.iluminarc.com for the latest menu maps.

Main Level	Programming Levels		Description
Dmx Address	001–512		Selects DMX address
Personality	Red		1-channel: dimmer (red only)
	Green		1-channel: dimmer (green only)
	Blue		1-channel: dimmer (blue only)
	White		1-channel: dimmer (white only)
	TW		2-channel, Tunable White: dimmer, color temperature
	RGB		3-channel: RGB control
	RGBW		4-channel: RGBW control
	RGBW+D		5-channel: dimmer, RGBW control
Network	Net Switch	2.X.X.X	Selects the first value of the IP address
		10.X.X.X	
	Universe	000–255 / 001–256 (Art-Net™) (sACN)	Selects universe
Information	Version	V _._.	Shows current firmware version
	IP Address	_. _ . _ . _ . _ . _ . _ . _ .	Shows the IP address
	Fixture Hours	_ hours	Shows length of time product has been on
	Label	_. _ . _ . _ . _ . _ .	Shows product label
	Device UID	_. _ . _ . _ . _ . _ .	Shows device UID
	MAC Address	_. _ . _ . _ . _ . _ .	Shows the MAC address
	Temperature	_. _ . °C	Shows the current temperature in °C
Output Status	Warning Message	_. _ . _ . _ . _ . _ .	Shows any current error(s)
	_. _ . _ . _ . _ . _ .		Shows technical information, or “ Not supported ”
Factory Reset	No		Resets to factory default settings
	Yes		
Group	000–255		Sets a group for LQIG Wall Con control

Individual LQIG Product Configuration

Individual Product Control Personality

To set the control personality individually for the selected LQIG product:

1. From the menu of the selected LQIG product, select the **Personality** option.
2. Select the desired personality, from **RED, GREEN, BLUE, WHITE, TW, RGB, RGBW, RGBW+D, or FULL**.



- See the [Starting Address](#) section for the highest starting address you can select for each personality.
- Make sure that the starting addresses on the various products do not overlap due to the new personality setting.

Starting Address

Each product will respond to a unique starting address from the controller. All products with the same starting address will respond in unison. To set the starting address for the selected LQIG product:

1. From the menu of the selected LQIG product, select the **DMX Address** option.
2. Select the starting address (**001–512**).

Personality	Channels	Highest Address	Products per Universe
Red	1	512	512
Green	1	512	512
Blue	1	512	512
White	1	512	512
TW	2	511	256
RGB	3	510	170
RGBW	4	509	128
RGBW+D	5	508	102
FULL	10	503	51

Network Settings

The Network Settings control the first value of the IP address and the universe of the selected LQIG product.

Net Switch

To select the first value of the IP address for the selected LQIG product:

1. From the menu of the selected LQIG product, select the **Network** option.
2. Select the **Net Switch** option.
3. Select the first value of the IP address from **2.X.X.X** or **10.X.X.X**.



- **The first value of the IP address of each connected LQIG product MUST match that of the LQIG Drive 2X, or they will not be able to link properly.**
- **Changing the Net Switch setting may cause the selected product to disconnect from the LQIG Drive 2X.**

Universe

To assign an Art-Net™ or sACN universe to the selected LQIG product:

1. From the menu of the selected LQIG product, select the **Network** option.
2. Select the **Universe** option.
3. Set the universe, from **000–255** (for Art-Net™) or from **001–256** (for sACN).

Information

To view additional information for the selected LQIG product:

1. From the menu of the selected LQIG product, select the **Information** option.
2. Select which information to view, from **Version, IP Address, Fixture Hours, Label, Device UID, MAC Address, and Temperature**.

Output Status

To view output data from the menu of the selected LQIG product, select the **Output Status** option.

Factory Reset

To reset the selected LQIG product to factory default settings:

1. From the menu of the selected LQIG product, select the **Factory Reset** option.
2. Select **Yes** to reset, or **No** to cancel.

LQIG Product Group

The Group setting of a connected LQIG product informs the LQIG Drive 2X to which **Wall Con Zone** it will respond, if any.

- Setting the Group value to **000** will make the LQIG product not respond to any **Wall Con Zone**.
- Setting the Group value to **001–255** will make the LQIG product respond to LQIG Wall Controller products assigned to a **Wall Con Zone** with the same [Wall Con Group](#) value.



LQIG Wall Controller products in a **Wall Con Zone** with a [Wall Con Group](#) value of **255** will control all connected LQIG products other than those with a Group value of **000**.

To set the Group value for a connected LQIG product:

1. From the menu of the selected LQIG product, select the **Group** option.
2. Set the Group value from **000–255**.

Renew

To re-scan for connected LQIG products:

1. Go to the **Linked Fixture** main menu.
2. Select **Status**.
3. Select **Renew**.
4. Select from **No** (to cancel) or **Yes** (to renew).

Global Control Personality

To set the control personality of all connected LQIG products at once:

1. Go to the **Linked Fixture** main menu.
2. Select the **Personality** option.
3. Select the desired personality, from **Red, Green, Blue, White, TW, RGB, RGBW, RGBW+D, or FULL**.



- See the [Starting Address](#) section for the highest starting address you can select for each personality.
- Make sure that the starting addresses on the various products do not overlap due to the new personality setting.

Power Selection

To set the maximum output level for all connected LQIG products:

1. Go to the **Linked Fixture** main menu.
2. Select **Power Selection**.
3. Select from **Power 100%, Power 50%, or Power 30%**.

Breaking Signal

To set how the LQIG Drive 2X will respond to losing the control signal:

1. Go to the **Linked Fixture** main menu.
2. Select **Breaking Signal**.
3. Select from:
 - **Current State** (holds the current value),
 - **Blackout** (blacks out all connected LQIG products),
 - or
 - **White** (sets all connected LQIG products to full output).

Control Channel Assignments and Values

Key: **10** = FULL (10 channels), **5** = RGBW+D (5), **4** = RGBW (4), **3** = RGB (3), **2** = TW (Tunable White; 2), **W** = White (1), **B** = Blue (1), **G** = Green (1), **R** = Red (1)

R	G	B	W	2	3	4	5	10	Function	Value	Percent/Setting
-	-	-	-	1	-	-	1	1	Dimmer	000 ⇄ 255	0–100%
1	-	-	-	-	1	1	2	2	Red	000 ⇄ 255	0–100%
-	1	-	-	-	2	2	3	3	Green	000 ⇄ 255	0–100%
-	-	1	-	-	3	3	4	4	Blue	000 ⇄ 255	0–100%
-	-	-	1	-	-	4	5	5	White	000 ⇄ 255	0–100%
-	-	-	-	2	-	-	-	6	Color temperature	000 ⇄ 010	No function
										011 ⇄ 020	1800K
										021 ⇄ 030	2200K
										031 ⇄ 040	2700K
										041 ⇄ 050	3000K
										051 ⇄ 060	3200K
										061 ⇄ 070	4000K
										071 ⇄ 080	4500K
										081 ⇄ 090	5000K
										091 ⇄ 100	5600K
										101 ⇄ 110	6000K
										111 ⇄ 120	6500K
										121 ⇄ 130	7000K
										131 ⇄ 140	8000K
									141 ⇄ 150	10000K	
									151 ⇄ 255	No function	
-	-	-	-	-	-	-	-	7	Strobe	000 ⇄ 009	No function
										010 ⇄ 099	Strobe, 0–25 Hz
										100 ⇄ 109	No function
										110 ⇄ 179	Lightning strobe, slow to fast
										180 ⇄ 189	No function
										190 ⇄ 255	Random strobe, slow to fast
-	-	-	-	-	-	-	-	8	Auto programs	000 ⇄ 040	No function
										041 ⇄ 050	Automatic program 1
										051 ⇄ 060	Automatic program 2
										061 ⇄ 070	Automatic program 3
										071 ⇄ 080	Automatic program 4
										081 ⇄ 090	Automatic program 5
										091 ⇄ 100	Automatic program 6
										101 ⇄ 110	Automatic program 7
										111 ⇄ 120	Automatic program 8
										121 ⇄ 130	Automatic program 9
										131 ⇄ 140	Automatic program 10
									141 ⇄ 255	No function	
-	-	-	-	-	-	-	-	9	Auto program speed	000 ⇄ 255	Auto program speed, slow to fast
-	-	-	-	-	-	-	-	10	Dimmer speed	000 ⇄ 129	Dimmer curve on
										130 ⇄ 255	Dimmer curve off

Static

To take temporary manual control of all connected LQIGIC products, custom mix a color, and assign a strobe speed:

1. Go to the **Static** main menu.
2. Select which value to alter, from **Red**, **Green**, **Blue**, **White**, or **Strobe**.
3. Set the selected value, from **000–512**.

For **Strobe**, reference the following table:

Value	Percent/Setting	Value	Percent/Setting
000 ⇔ 009	No function	110 ⇔ 179	Lightning strobe, slow to fast
010 ⇔ 099	Strobe, 0–25 Hz	180 ⇔ 189	No function
100 ⇔ 109	No function	190 ⇔ 255	Random strobe, slow to fast

4. Press the **<MENU>** encoder to cycle to the next value.
5. Repeat steps 3-4 until the products output as desired.
6. Press **<ESC/BACK>** to finish.

Record

The LQIGIC Drive 2X can record control signal input (DMX, Art-Net™, or sACN) for later playback through the display menu or by a connected LQIGIC Wall Controller.


The LQIGIC Drive 2X has 64 recording slots. When a scene is triggered for playback, it will play continuously until it is stopped or another recording is triggered.



Due to memory capacity it is only possible to record a single look to each recording slot.


Recording

To record a scene:

1. Go to the **Record** main menu.
2. Select the **Record** option.
3. Select the desired recording slot, from **Record1–64**.
4.  will show on the display. Press the **<MENU>** encoder to begin recording the current control signal input.





To prevent errors during the recording of a scene, do not change any control signal values.

5.  will show on the display. Press the **<MENU>** encoder to stop recording.

Display Menu Playback

To play back a recorded scene with the display menu:

1. Go to the **Record** main menu.
2. Select the **Record** option.
3. Select the desired recording slot, from **Record1–64**.
4.  will show on the display. Press the **<MENU>** encoder to begin playback.
5.  will show on the display. Press the **<MENU>** encoder to stop playback. The connected products will black out.



- Pressing the **<MENU>** encoder again at this point will restart the recording.
- If no scene is recorded to a recording slot, it cannot be selected for playback.

6. Press **<ESC/BACK>** to exit.

Scene Brightness through Display Menu

To set the **Brightness** of the connected LQIGIC products from **000–255** during playback of a scene, turn the **<MENU>** encoder clockwise or counterclockwise.

LQGC Wall Controller Playback

To play back a recorded scene with a connected LQGC Wall Controller:

1. Follow the instructions under [Wall Con Configuration](#) and [Wall Con Scene Buttons](#) to configure the LQGC Wall Controller and assign recorded scenes to the buttons.
2. Press the numbered button with the desired recording slot assigned to begin playback.
3. Press that same button again to stop playback. The connected products will black out.



- **Pressing the same button again (without holding) at this point will resume the scene.**
- **If no scene is recorded to a recording slot, pressing the corresponding button will do nothing.**

Scene Brightness with LQGC Wall Controller

To increase or decrease the brightness of the connected LQGC products during playback of a scene, press the <+> or <-> buttons on the LQGC Wall Controller.

Scene Lock

To lock a scene in place and prevent tampering:

1. Trigger a scene with the LQGC Wall Controller. A scene cannot be locked if no scene is playing back.
2. Press and hold the same button for 6-10 seconds. The backlight will flash to indicate the scene is locked.
3. Press and hold the button again to release the lock.

Erase Recording

To erase a recording slot:

1. Go to the **Record** main menu.
2. Select the **Record Erase** option.
3. Select the desired recording slot, from **Record1–64 Clr**.
4. Select from **No** (cancel) or **Yes** (erase the selected recording slot).

System Clock

The system clock functions allow the LQGC Drive 2X to place itself in or out of **Shut off** mode on a set schedule. While in **Shut off** mode:

- The LQGC Drive 2X will black out all connected LQGC products.
- The LQGC Drive 2X will function at minimum power consumption.
- All settings other than the **System Clock** settings will be inaccessible.

Setting Clock

Before setting the schedule, ensure the internal clock and calendar is set correctly:

1. Go to the **System Clock** main menu.
2. Select the **Setting Clock** option.
3. Review the current settings. If they are inaccurate, press the <MENU> encoder to begin setting the clock. After setting each option, press the <MENU> encoder to move to the next option.
4. Set the month of the current date, from **01–12** (January to December).
5. Set the day of the month, from **01–31**.
6. Set the year, from **2000–2099**.
7. Set the hour of the day, from **00–23** (in a 24-hour clock, **00** is midnight and **13** is 1 PM).
8. Set the minute of the hour, from **00–59**.
9. Set the second of the minute, from **00–59**.
10. Set the day of the week, from **1–7** (Monday to Sunday).
11. Press <ESC/BACK> to exit.

Schedule

The LQGC Drive 2X can be scheduled by the time of day (**Everyday**), from one date to another (**By date**), and by the day of the week (**By week**) all at the same time.



- Selecting the **Everyday**, **By date**, or **By week** options not only enters the sub-menu for the selected option but also automatically enables it.
- To disable the option, select it again from the **Schedule** menu.
- To alter one of these settings, it must be disabled and then reselected.

Everyday

To set the daily schedule:

1. Go to the **System Clock** main menu.
2. Select the **Schedule** option.
3. Select the **Everyday** option.
4. Review the current settings. To begin editing them, press the **<MENU>** encoder. After setting each option, press the **<MENU>** encoder to move to the next option.
5. Set the **Turn on** hour, from **00–23** (in a 24-hour clock, **00** is midnight and **13** is 1 PM).
6. Set the **Turn on** minute, from **00–59**.
7. Set the **Turn on** second, from **00–59**.
8. Set the **Turn off** hour, from **00–23**.
9. Set the **Turn off** minute, from **00–59**.
10. Set the **Turn off** second, from **00–59**.
11. Press **<ESC/BACK>** to exit.

By date

To set specific dates to turn on and off:

1. Go to the **System Clock** main menu.
2. Select the **Schedule** option.
3. Select the **By date** option.
4. Review the current settings. To begin editing them, press the **<MENU>** encoder. After setting each option, press the **<MENU>** encoder to move to the next option.
5. Set the **Turn on Month**, from **01–12** (January to December).
6. Set the **Turn on Day**, from **01–31**.
7. Set the **Turn on Year**, from **2000–2099**.
8. Set the **Turn off Month**, from **01–12**.
9. Set the **Turn off Day**, from **01–31**.
10. Set the **Turn off Year**, from **2000–2099**.
11. Press **<ESC/BACK>** to exit.

By week

To set which days of the week to turn on:

1. Go to the **System Clock** main menu.
2. Select the **Schedule** option.
3. Select the **By week** option.
4. Review the current settings. To begin editing them, press the **<MENU>** encoder.
5. Select each desired day, from **Mon, Tues, Wed, Thur, Fri, Sat, and/or Sun**.
6. Select any selected day again to deselect it.
7. Press **<ESC/BACK>** to finish, and then again to exit.

Fade In and Fade Out

To set whether the lights will turn on or off instantly when entering or leaving **Shut off** mode, or whether they will fade in or out:

1. Go to the **System Clock** main menu.
2. Select the **Fade In/Out** option.
3. Select which option to set, from **Fade In** or **Fade Out**.
4. For **Fade In**, select from **On-instant** or **On-3second fade**.
For **Fade Out**, select from **Off-instant** or **Off-3second fade**.

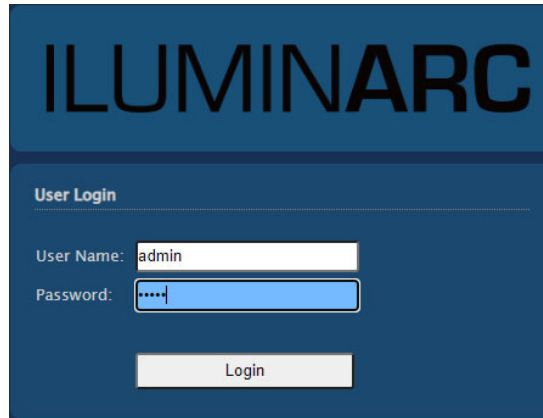
Enable Clock

To enable or disable the system clock functions:

1. Go to the **System Clock** main menu.
2. Select the **Enable Clock** option.
3. Select from **No** (disable) or **Yes** (enable).

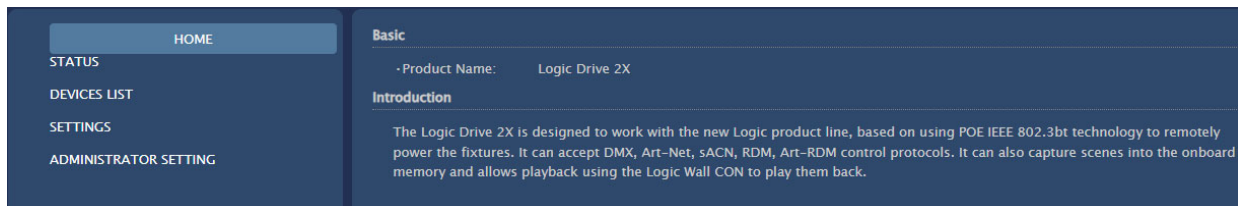
Web Server

The LOGIC Drive 2X web server can be accessed by any computer on the same network as the product. It allows network access to system information, settings such as product addressing, static color testing, and calendar triggers, as well as firmware updates for both the LOGIC Drive 2X and any connected LOGIC products.



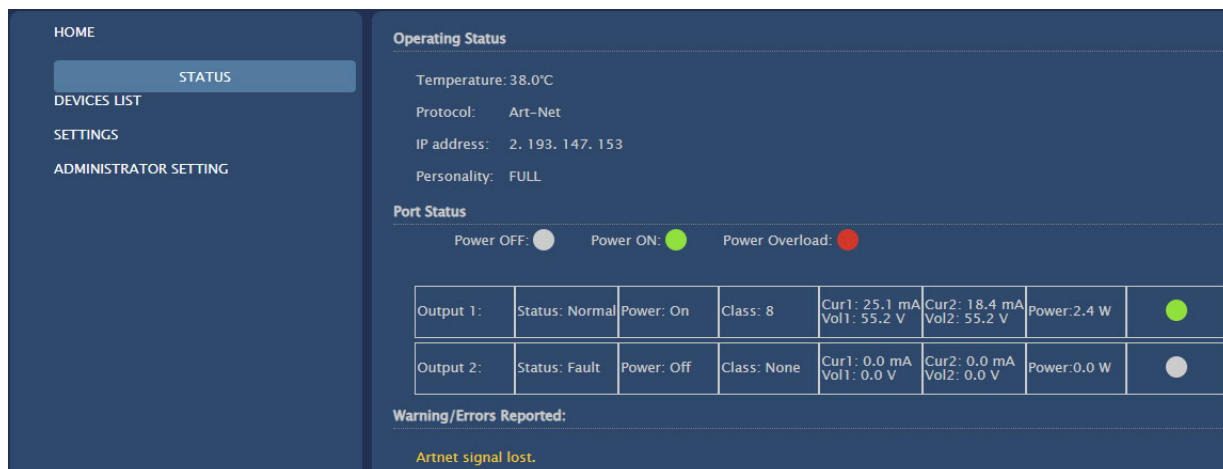
1. Connect the product to a Windows computer with a network cable.
2. On the computer, set the IP address of the new network to have the same value as the [Net Switch](#) setting (**002** or **010**).
3. Enter the IP address of the product into the URL bar of a web browser on the computer.
4. Enter both the User Name and Password as **admin** to log in.

Home



The **HOME** screen displays the name of the product and a brief introduction to it.

Status



The **STATUS** screen displays the information available in the [Local Information](#) and [Output Status](#) sections of the display menu.

Devices List



The **DEVICES LIST** screen has a drop-down menu on the right which leads to 4 pages: **Fixture**, **Injector**, **Wall Con Zone**, and **KeyList**.

Every page of the **DEVICES LIST** screen features the following control options:

- **Renew**: rescans for connected LQGIC products.
- **Save**: sends any changes to the connected LQGIC products.

The **Fixture** and **Wall Con Zone** pages also feature these options:

- **Export**: Exports the connected LQGIC product and Wall Con data to another LQGIC Drive 2X.
- **Import**: Imports the connected LQGIC product and Wall Con data from another LQGIC Drive 2X.
- **Export Recordings**: Exports the Record slot and Scene data to another LQGIC Drive 2X.
- **Import Recordings**: Imports the Record slot and Scene data from another LQGIC Drive 2X.

Fixture



The **Fixture** page displays information for each connected LQGIC product which the LQGIC Drive 2X has detected and provides the following additional control options:

- **RDM Identify**: causes the selected product to blink its LEDs for identification.
- **DMX Address**: displays and sets the DMX Address of the selected product.
- **Personality**: displays and sets the control personality of the selected product.
- **Universe**: displays and sets the universe address of the selected product.

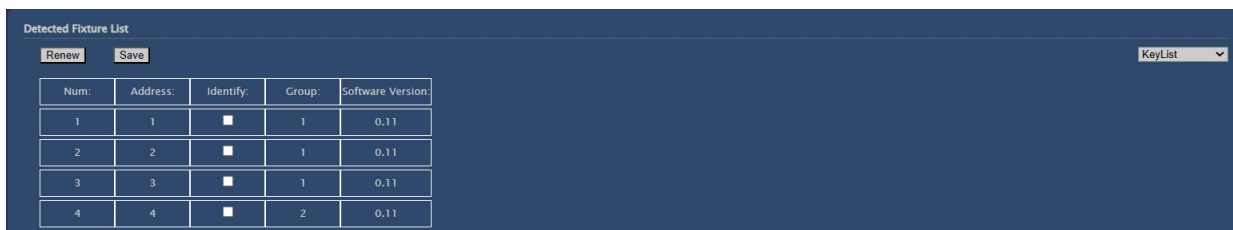


After changing the **DMX Address**, **Personality**, or **Universe**, click **Save** to send those settings to the selected product(s).

Injector

The **Injector** page displays information for each LQGIC POE injector which the LQGIC Drive 2X has detected, including **Fixture name**, **Number**, **Port**, **IP**, **Status**, **Connection**, **Class**, **Currents**, **Voltages**, **Power**, **Protocol**, **Temperature**, and **Software Version**.

Key List



The **KeyList** page provides a quick tool for renewing and identifying connected LQGIC Wall Controller products. Click **Renew** and the Addresses of connected LQGIC Wall Controller products will automatically populate. Check the **Identify** box to make the selected LQGIC Wall Controller product flash the button LEDs.

Wall Con Zone

Detected Fixture List													
<input type="button" value="Renew"/> <input type="button" value="Save"/> <input type="button" value="Export"/> <input type="button" value="Import"/> <input type="button" value="Export Recordings"/> <input type="button" value="Import Recordings"/> Wall Con Zone ▾													
Wall Con Zone	Group	ID:				Scene:	Sensor:						
		ID1:	ID2:	ID3:	ID4:		Sensor ID1:	Sensor ID2:	Sensor ID3:	Sensor ID4:	Sensor Scene	Sensor Time(/min)	
WALL CON 1	1	1	2	3	OFF	Scene1:	1	1	1	1	1	Scene 8 ▾	1
						Scene2:	2						
						Scene3:	3						
						Scene4:	4						
						Scene5:	5						
						Scene6:	6						
						Scene7:	7						
						Scene8:	8						
WALL CON 2	2	4	OFF	OFF	OFF	Scene1:	9	1	1	1	1	Scene 8 ▾	1
						Scene2:	10						
						Scene3:	11						
						Scene4:	12						
						Scene5:	13						
						Scene6:	14						
						Scene7:	15						
						Scene8:	16						
WALL CON 3	32	OFF	OFF	OFF	OFF	Scene1:	1	OFF	OFF	OFF	OFF	Scene 8 ▾	1
						Scene2:	1						
						Scene3:	1						
						Scene4:	1						
						Scene5:	1						
						Scene6:	1						
						Scene7:	1						
						Scene8:	1						
WALL CON 4	32	OFF	OFF	OFF	OFF	Scene1:	1	OFF	OFF	OFF	OFF	Scene 8 ▾	1
						Scene2:	1						
						Scene3:	1						
						Scene4:	1						
						Scene5:	1						
						Scene6:	1						
						Scene7:	1						
						Scene8:	1						
WALL CON 5	255	OFF	OFF	OFF	OFF	Scene1:	1	OFF	OFF	OFF	OFF	Scene 1 ▾	
						Scene2:	1						
						Scene3:	1						
						Scene4:	1						
						Scene5:	1						
						Scene6:	1						
						Scene7:	1						
						Scene8:	1						

The **Wall Con Zone** page displays detailed information for each connected LQIGC Wall Controller product and provides the following additional control options:

Wall Con Zone: Provides 4 zones with custom group values. LQIGC Wall Controller products assigned to **WALL CON 5**, which is always set to Group value **255**, control all connected LQIGC products with a [LQIGC Product Group](#) value other than **000**.

Group: Sets the Group value (**0–254** for **WALL CON 1–4**) for the selected **Wall Con Zone**. Products with the same [LQIGC Product Group](#) value other than **000** will respond to LQIGC Wall Controller products in the selected **Wall Con Zone**.

ID1–4: Selects a LQIGC Wall Controller address (**1–32**) or **OFF** to include in the selected **Wall Con Zone**.

Scene1–8: Selects a record slot (**1–64**) for playback when the selected button is pressed in the selected **Wall Con Zone**.

Sensor: These functions are reserved for future use.

Settings

The **SETTINGS** screen displays and provides 9 types of control options:

- **Basic:** displays and sets the control **Protocol**, the first value of the IP address (**Net switch**) for the LQIGC Drive 2X, **DHCP**, the control **Personality**, and the **Universe** address if applicable. Click **Save** to send any changed settings to the LQIGC Drive 2X.



Changing the Net switch option will cause the computer to disconnect from the LQIGC Drive 2X.

- **Local:** displays the product **Temperature** in °C and the **Fixture Time**.
- **Static Test:** displays and provides the same control options as the **Static** section of the display menu.
- **Record Play:** provides drop down menus which display which record slots are assigned to each Wall Con Zone and can select a scene from them. Click ▶ to play a scene.
- **Record List:** displays which Record slots (Record1–64) have a look recorded to them. Click **Record** to record the current look to the selected Record slot. Click **Erase Record** to erase the recorded look from the selected Record slot.
- **System Calendar Trigger Settings:** displays and provides the same control options as the **System Clock** section of the display menu. Click **Save** to send any changed settings to the LQIGC Drive 2X.



Years beyond those available through the display menu may be selected through this method, but selecting them may cause unforeseen errors.

- **Reset:** provides the **System Reset** function. Set the drop-down menu to **Yes** and click **Save** to reset the LQIGC Drive 2X to factory default settings.



System Clock settings will not be reset.

- **History:** Provides the **History Clear** function. Set the drop-down menu to **Yes** and click **Save** to clear the connected product history and complete the process of disconnecting LQIGC products from the LQIGC Drive 2X.
- **Matching:** Provides the **Network Segment Matching** function. Set the drop-down menu to **Yes** and click **Save** to make the **Net switch** setting of all connected LQIGC products match the setting of the LQIGC Drive 2X.

Administrator Settings

The **ADMINISTRATOR SETTINGS** screen displays the current firmware version of the LQGIC Drive 2X and provides the ability to change the web server password, update the firmware of the LQGIC Drive 2X, and update the firmware of any connected LQGIC products.

Firmware Update

The procedure for updating the firmware of the LQGIC Drive 2X is identical to the procedure for updating the firmware of connected LQGIC products. Follow these same instructions for either procedure.

1. Download the latest firmware files from the appropriate page on www.github.com (see [Firmware Update Links](#) for specific links for each LQGIC product).
2. Access the web server for LQGIC Drive 2X according to the instructions under [Web Server](#).
3. Navigate to the **ADMINISTRATOR SETTINGS** screen.
4. Click **Browse** and select the desired firmware file.
5. Click **Update**.
 - At this point the web server may return to the login screen. Enter the password to continue, and then redo steps 4 and 5.
 - The Upload Progress bar will fill, indicating the firmware is being sent to the relevant product(s).
 - Data in the firmware files includes a model type signature which allows only the relevant products to receive it.



ALL connected products of the type designated by the firmware file will be updated! Disconnect any products of that type which should not be updated prior to beginning the update procedure!



When connecting LQGIC products with early (V1__) firmware versions to a LQGIC Drive 2X or POE X with V2 firmware or later, the products may not populate in the [Linked Fixture](#) lists. This will not prevent a firmware update from working. It is possible to update the firmware of connected LQGIC products even if they do not populate in the Linked Fixture lists.



Connected products which are not of the type designated by the firmware file will not be affected.

- POE injectors will not filter the firmware file transfer.
- During the update the LQGIC Drive 2X display menu will freeze and all control signals will be interrupted.
- When updating the LQGIC Drive 2X, the message **Remove code 1 MCU erasure** will show on the display, followed by **Updating...** When finished, the LQGIC Drive 2X will restart.
- When updating connected LQGIC products, the message **Update slave Device** will show on the display. When finished, the LQGIC Drive 2X will rescan for connected products.
- After updating connected LQGIC products from V1__ to V2__, it may be necessary to clear the history of connected products (see [Disconnecting Products from the LQGIC Drive 2X](#) or the **History** option under [Settings](#)) and then cycle the power of the LQGIC Drive 2X before the [Renew](#) function will find the updated products.

Firmware Update Links

Product	Github Link
LQIC Drive 2X	github.com/CHAUVET-ILUMINARC/LOGICDRIVE2X
LQIC Wall Panel 16-Port	github.com/CHAUVET-ILUMINARC/LOGICWALLPANEL16PORT
LQIC AR111 Downlight M	github.com/CHAUVET-ILUMINARC/LOGICAR111DNM
LQIC AR111 Downlight S	github.com/CHAUVET-ILUMINARC/LOGICAR111DNS
LQIC MR16 Downlight S	github.com/CHAUVET-ILUMINARC/LOGICMR16
LQIC Cove M	github.com/CHAUVET-ILUMINARC/LOGICCVM
LQIC Cove S	github.com/CHAUVET-ILUMINARC/LOGICCVS
LQIC Graze L	github.com/CHAUVET-ILUMINARC/LOGICGZL
LQIC Graze S	github.com/CHAUVET-ILUMINARC/LOGICGZS
LQIC POE Injector	github.com/CHAUVET-ILUMINARC/LOGICPOEINJECTOR
LQIC POE X	github.com/CHAUVET-ILUMINARC/LOGICPOEX

Error Codes

See the table below for error codes and recommended solutions:

Error Code	Possible Reason	Potential Solution
DMX signal lost	No DMX console connection	Connect to console Double-check cable connection
Network disconnect	No network connection or console signal received	
Artnet signal lost	Not Art-net™ console connection	
Sacn signal lost	No sACN console connection	
Output 1 Overcurrent	Too many LQIC products are connected	Reduce the number of connected LQIC products to within stated parameters
Output 2 Overcurrent		
Output 1 Short Circuit	Short-circuit detected in a LQIC product connected to the port	Check the LQIC products connected to that port
Output 2 Short Circuit		
Dev No longer connected	A product is off-line or fewer products are connected than before	Disconnecting Products from the LQIC Drive 2X or Renew
Device Error-undefined	Reserved for future use	Contact Iluminarc customer support
Over current protection	Too many LQIC products are connected	Reduce the number of connected LQIC products to within stated parameters
network hardware error	Network chip failure	Check whether the network chip is damaged
DRVIER 2X Overheat	The temperature of the stated product exceeds 65 °C	Replace the thermal sensor of the product or check the heat dissipation
POE X overheat		
MR16DNS overhead		
AR111DNS overhead		
AR111DNM overhead		
GZS overhead		
GZL overhead		
CVS overhead		
CVM overhead		
INJECT overhead		
port1 excess	Too many LQIC products are connected	Reduce the number of connected LQIC products to within stated parameters
port2 excess		
port1 and 2 excess		
Network chip fault	Network chip failure	Check whether the network chip is damaged
PSE error	Power supply failure	Check whether the power supply is damaged and if it is connected properly

5. Maintenance

Product Maintenance

Dust build-up reduces light output performance and can cause overheating. This can lead to reduction of the light source's life and/or mechanical wear. To maintain optimum performance and minimize wear, clean your lighting products at least twice a month. However, be aware that usage and environmental conditions could be contributing factors to increase the cleaning frequency.

To clean the product, follow the instructions below:

1. Unplug the product from power.
2. Wait until the product is at room temperature.
3. Use a vacuum (or dry compressed air) and a soft brush to remove dust collected on the external surface/vents.
4. Apply a solution of ammonia-free glass cleaner or isopropyl alcohol directly to a soft, lint free cotton cloth or a lens cleaning tissue.
5. Use the cloth or tissue to clean all transparent surfaces.
6. Softly drag any dirt or grime to the outside of the transparent surface.
7. Gently polish the transparent surfaces until they are free of haze and lint.



Always dry the transparent surfaces carefully after cleaning them.

6. Technical Specifications

Dimensions and Weight

Length	Width	Height	Weight
10.31 in (245 mm)	18.86 in (479 mm)	1.73 in (44 mm)	7.6 lb (3.45 kg)

Note: Dimensions in inches are rounded.

Power

Power Supply Type	Range	Voltage Selection
Switching (internal)	100 to 240 VAC, 50/60 Hz	Auto-ranging

Output Port Power Rating	Output Port Voltage	POE Output Connectors	RJ12 Output Voltage
92.5 W per port	54 VDC	RJ45 x2	12 VDC

Parameter	100 V, 60 Hz	120 V, 60 Hz	208 V, 60 Hz	230 V, 50 Hz	240 V, 50 Hz
Consumption	260 W	260 W	260 W	260 W	260 W
Operating Current	2.60 A	2.17 A	1.25 A	1.14 A	1.09 A
Fuse	T 3.15 A, 250V	T 3.15 A, 250V	T 3.15 A, 250V	T 3.15 A, 250V	T 3.15 A, 250V

Power I/O	U.S./Worldwide	UK/Europe
Power Input Connectors	Seetronic TRUE1	Seetronic TRUE1
Power Cord plug	Edison (U.S.)	Local Plug
Recommended Power Cable	3 x 14 AWG	

Data Connectors

DMX/RDM	Ethernet (Art-Net™/sACN)	LQIC Wall Controller
5-pin Phoenix in and out	RJ45 x2	RJ12

POE Cabling

Required Cable Type	Minimum Conductor Diameter	Conductor Material
CAT6/A, shielded	23 AWG (0.5733 mm)	Solid bare copper wire (stranded not supported)

Cable Plug	Cable Terminator	Recommended Cable (or equivalent)
RJ45, CAT6/A, Shielded	T568B standard	Belden 2413F, 2412F

Total Max Cable Length (Drive to first fixture)	Total Max Cable Length (Drive to last fixture)	Total Max Cable Length (First fixture to last fixture)
328 ft (100 m)	460 ft (140 m)	131 ft (40 m)

Thermal

Operating Temperature Range	Maximum Surface Temperature	Cooling System
-4 °F–113 °F (-20 °C–45 °C)	158 °F (70 °C)	Fan-assisted convection

Ordering

Product Name	Item Name	Item Code	UPC Number
LQIC Drive 2X	LOGICDRIVE2X	01541731	781462220792



UL 2108, UL 1598A
CSA C22.2 No. 250.2
E115166



RoHS



Contact Us

General Information	Technical Support
Chauvet World Headquarters	
Address: 3360 Davie Rd., Suite 509 Davie, FL 33314 Voice: (954) 577-4455 Fax: (954) 929-5560 Toll Free: (800) 762-1084	Voice: (844) 393-7575 Fax: (954) 756-8015 Email: chauvetcs@chauvetlighting.com Website: www.chauvetprofessional.com
Chauvet U.K.	
Address: Pod 1 EVO Park Little Oak Drive, Sherwood Park Nottinghamshire, NG15 0EB UK Voice: +44 (0) 1773 511115 Fax: +44 (0) 1773 511110	Email: UKtech@chauvetlighting.eu Website: www.chauvetprofessional.eu
Chauvet Benelux	
Address: Vaartlaan 9 9800 Deinze Belgium Voice: +32 9 388 93 97	Email: BNLtech@chauvetlighting.eu Website: www.chauvetprofessional.eu
Chauvet France	
Address: 3, Rue Ampère 91380 Chilly-Mazarin France Voice: +33 1 78 85 33 59	Email: FRtech@chauvetlighting.fr Website: www.chauvetprofessional.eu
Chauvet Germany	
Address: Bruno-Bürgel-Str. 11 28759 Bremen Germany Voice: +49 421 62 60 20	Email: DEtech@chauvetlighting.de Website: www.chauvetprofessional.eu
Chauvet Mexico	
Address: Av. de las Partidas 34 - 3B (Entrance by Calle 2) Zona Industrial Lerma Lerma, Edo. de México, CP 52000 Voice: +52 (728) 690-2010	Email: servicio@chauvet.com.mx Website: www.chauvetprofessional.mx

Warranty & Returns

For warranty terms and conditions and return information, please visit our website.

For customers in the United States and Mexico: www.chauvetlighting.com/warranty-registration.

For customers in the United Kingdom, Republic of Ireland, Belgium, the Netherlands, Luxembourg, France, and Germany: www.chauvetlighting.eu/warranty-registration.