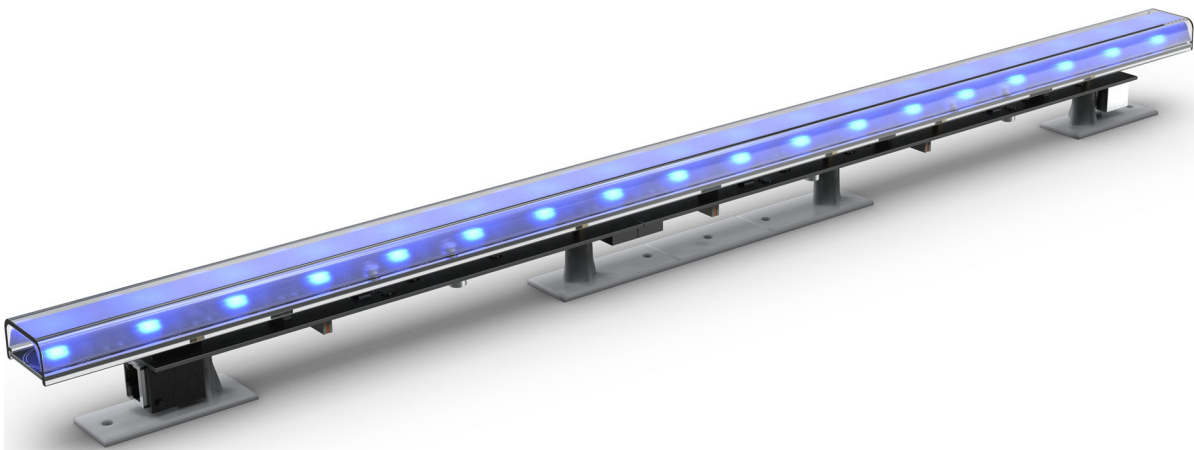


# LOGIC Cove M

## Quick Reference Guide

|            |    |
|------------|----|
| English    | EN |
| Español    | ES |
| Français   | FR |
| Deutsch    | DE |
| Nederlands | NL |



Model ID: LOGICCV M

**ILUMINARC®**

## About This Guide

The LOGIC Cove M Quick Reference Guide (QRG) has product information such as connection, mounting, menu options, and DMX values. Download the User Manual for the LOGIC Drive 2X from [www.iluminarc.com](http://www.iluminarc.com) for more details.

### Disclaimer

The information and specifications contained in this QRG are subject to change without notice.

### LIMITED WARRANTY

**FOR WARRANTY REGISTRATION AND COMPLETE TERMS AND CONDITIONS PLEASE VISIT OUR WEBSITE.**

**For Customers in the United States and Mexico:** [www.iluminarc.com/warranty-registration-architectural-lighting](http://www.iluminarc.com/warranty-registration-architectural-lighting).

**For Customers in the United Kingdom, Republic of Ireland, Belgium, the Netherlands, Luxembourg, France, and Germany:** [www.iluminarc.com/warranty-registration-architectural-lighting](http://www.iluminarc.com/warranty-registration-architectural-lighting).

Chauvet warrants that this product shall be free from defects in material and workmanship under normal use, for the period specified in, and subject to the exclusions and limitations set forth in the full limited warranty on our website. This warranty extends only to the original purchaser of the product and is not transferable. To exercise rights under this warranty, you must provide proof of purchase in the form of an original sales receipt from an authorized dealer that shows the product name and date of purchase. THERE ARE NO OTHER EXPRESS OR IMPLIED WARRANTIES. This warranty gives you specific legal rights. You may also have other rights that vary from state to state and country to country. This warranty is valid only in the United States, United Kingdom, Republic of Ireland, Belgium, the Netherlands, Luxembourg, France, Germany and Mexico. For warranty terms in other countries, please consult your local distributor.

### Safety Notes

These Safety Notes include important information about installation, use, and maintenance.

- The luminaire should be positioned so that prolonged staring into the luminaire at a distance closer than 3.3 ft (1m) is not expected.
- If the external flexible cable or cord of this luminaire is damaged, it shall be replaced with a special cable or cord exclusively available from the manufacturer or its service agent.
- The light source contained in this luminaire shall only be replaced by the manufacturer, its service agent, or a similarly qualified person.
- The luminaire is intended for professional use only.
- DO NOT open this product. It contains no user-serviceable parts.
- DO NOT look at the light source when the product is on.
- CAUTION: When transferring product from extreme temperature environments, (e.g. cold truck to warm humid ballroom) condensation may form on the internal electronics of the product. To avoid causing a failure, allow product to fully acclimate to the surrounding environment before connecting it to power.
- CAUTION: This product's housing may be hot when lights are operating.
- Mount this product in a location with adequate ventilation, at least 20 in (50 cm) from adjacent surfaces.
- DO NOT leave any flammable material within 11.8 in (30 cm) of this product while operating or connected to power.
- USE a safety cable when mounting this product overhead.
- DO NOT operate this product outdoors or in any location where dust, excessive heat, water, or humidity may affect it. (IP20)
- DO NOT operate this product if the housing, lenses, or cables appear damaged.
- ONLY connect this product to IEEE 802.3bt POE power source equipment (PSE).
- ONLY connect this product to a grounded and protected circuit.
- In the event of a serious operating problem, stop using immediately.
- The maximum ambient temperature is 113 °F (45 °C). Do not operate this product at higher temperatures.
- The minimum startup temperature is -4°F (-20°C). Do not start the product at lower temperatures.
- The minimum ambient temperature is -22°F (-30°C). Do not operate the product at lower temperatures.

**FCC Compliance**

This device complies with Part 15 Part B of the FCC Rules. Operations is subject to the following two conditions:

1. This device may not cause harmful interference, and
2. This device must accept any interference received, including interference that may cause undesired operation.

Any changes or modifications not expressly approved by the party responsible for compliance could void the user's authority to operate the equipment.

**Contact**

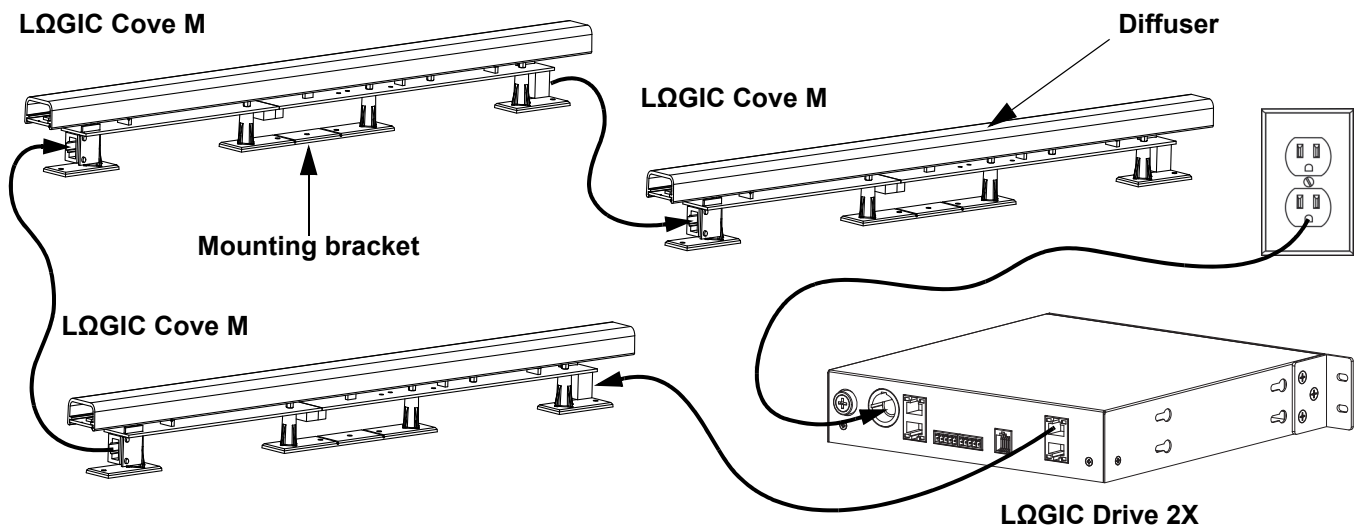
Outside the U.S., U.K., Ireland, Benelux, France, Germany, or Mexico, contact your distributor to request support or return a product. Refer to [Contact Us](#) at the end of this QRG for contact information.

**What is Included**

- LQGC Cove M
- Bracket with screws
- Protective clear cover/diffuser
- Quick Reference Guide

**Product Overview**

The LQGC Cove M is an LED fixture designed to fit compact cove applications. It is a safe, low-voltage product that supports full RGBW color mixing. Each LQGC Cove M comes with a diffuser and plastic mounting brackets.



**It is not recommended to use the LQGC Cove M without the included diffuser.**

**DC Power**

This product is powered by the LQGC Drive 2X with a CAT6 connection of 52 VDC. Download the User Manual for the LQGC Drive 2X from [www.iluminarc.com](http://www.iluminarc.com) for more details.

**Power Linking**

It is possible to link up to 5 LQGC Cove M products from one output of the LQGC Drive 2X.

**Signal Linking**

The LQGC Cove M will receive a control signal (DMX, RDM, Art-Net™, or sACN) from the LQGC Drive 2X via a CAT6 connection.

**Connection and Cabling**

The LQGC Cove M uses standard CAT6 cable (not crossover cabling) and IEEE 802.3bt POE power standard.

Short cables may use a smaller gauge, but any cable longer than 50 ft (15 m) must be 23 AWG and shielded, or the products may not receive enough power.

Cable requirements: Max/min gauge of 23/28 AWG CAT6 four twisted pair.

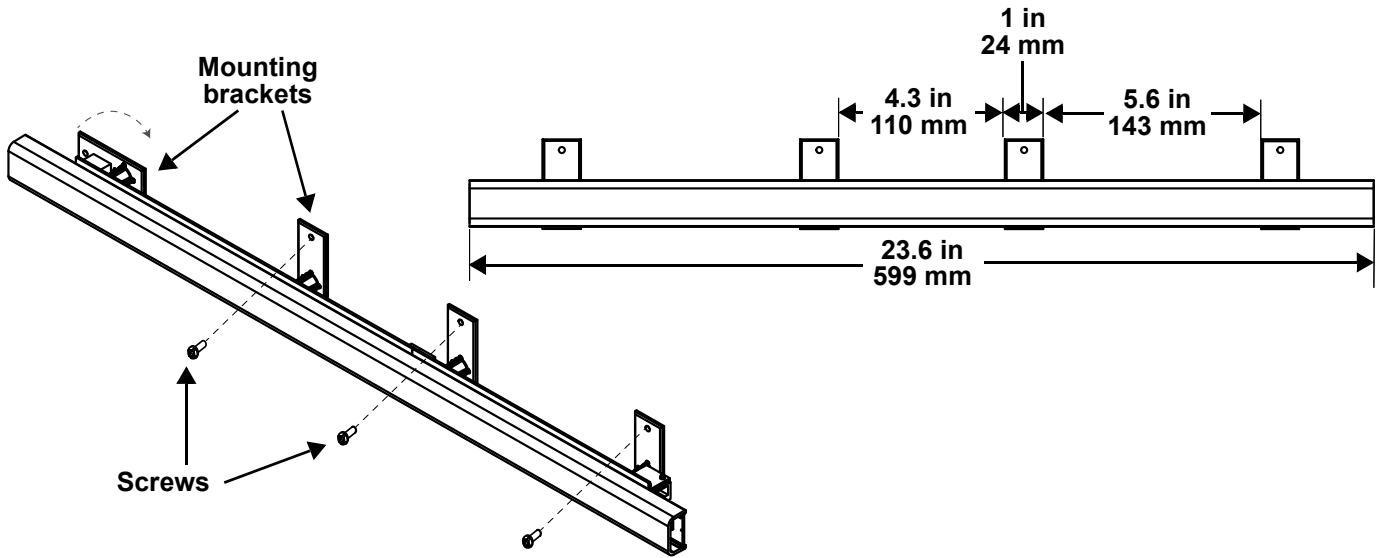
- For distances less than 50 ft (15 m): 23–28 AWG (shielded or unshielded)
- For distances from 50–328 ft (15–100 m): 23 AWG (shielded)



**An example of a short cable with smaller cable diameter that has been proven to work effectively with the LQGC Cove M is the Monoprice Slimrun CAT6 Ethernet patch cables, stranded 550 MHz, UTP, pure bare copper wire, 28 AWG.**

**Mounting**

Each LQGIC Cove M comes with fixed mounting brackets that support pre-configured LED alignment between fixtures.



- Rotate the plastic brackets horizontally on their axis before securing them with bolts or screws.
- When installing multiple LQGIC Cove M, ensure that there is enough space between them (see drawing for fixture dimensions).

**Menu Map**

Access the LQGIC Cove M menu through the LQGIC Drive 2X **Linked Fixtures** menu.

Refer to the LQGIC Cove M and LQGIC Drive 2X product pages on [www.iluminarc.com](http://www.iluminarc.com) for the latest menu maps.

| Main Level           | Programming Levels   |  | Description   |
|----------------------|----------------------|--|---|
| <b>Dmx Address</b>   | 001–512              |  | Selects DMX address                                 |
| <b>Personality</b>   | RED                  |  | 1-channel: dimmer (red only)                        |
|                      | GREEN                |  | 1-channel: dimmer (green only)                      |
|                      | BLUE                 |  | 1-channel: dimmer (blue only)                       |
|                      | WHITE                |  | 1-channel: dimmer (white only)                      |
|                      | TW                   |  | 2-channel, Tunable White: dimmer, color temperature |
|                      | RGB                  |  | 3-channel: RGB control                              |
|                      | RGBW                 |  | 4-channel: RGBW control                             |
|                      | RGBW+D               |  | 5-channel: dimmer, RGBW control                     |
| <b>Network</b>       | <b>Net Switch</b>    | 2.X.X.X                                | Selects the first value of the IP address           |
|                      |                      | 10.X.X.X                               |   |
|                      | <b>Universe</b>      | 000–255 / 001–256<br>(Art-Net™) (sACN) | Selects universe                                    |
| <b>Information</b>   | <b>Version</b>       | V _._._                                | Shows current firmware version                      |
|                      | <b>IP Address</b>    | _. _ . _ . _ . _ . _ . _ . _ .         | Shows the IP address                                |
|                      | <b>Fixture Hours</b> | _ hours                                | Shows length of time product has been on            |
|                      | <b>Label</b>         | _. _ . _ . _ . _ . _ .                 | Shows product label                                 |
|                      | <b>Device UID</b>    | _. _ . _ . _ . _ . _ .                 | Shows device UID                                    |
|                      | <b>MAC Address</b>   | _. _ . _ . _ . _ . _ .                 | Shows the MAC address                               |
|                      | <b>Temperature</b>   | _. _ . °C                              | Shows the current temperature in °C                 |
| <b>Factory Reset</b> | No                   |  | Resets to factory default settings                  |
|                      | Yes                  |  |   |

## QUICK REFERENCE GUIDE

### RDM Chart

Refer to the LQGIC Cove M product page on [www.iluminarc.com](http://www.iluminarc.com) for the latest RDM chart.

| GET | SET | Category            | RDM Parameter IDs (Slot 21-22) | Value  | Required | Detail  |
|-----|-----|---------------------|--------------------------------|--------|----------|---|
|     |     | Network Management  | DISC_UNIQUE_BRANCH             | 0x0001 | ✓        |   |
|     |     |                     | DISC_MUTE                      | 0x0002 | ✓        |   |
|     |     |                     | DISC_UN_MUTE                   | 0x0003 | ✓        |   |
| ✓   |     | RDM Information     | QUEUED_MESSAGE                 | 0x0020 |          |   |
| ✓   |     |                     | SUPPORTED_PARAMETERS           | 0x0050 | ✓        | IDENTIFY_DEVICE, DEVICE_INFO, SOFTWARE_VERSION_LABEL, SUPPORTED_PARAMETERS, DMX_START_ADDRESS, DEVICE_MODEL_DESCRIPTION, MANUFACTURER_LABEL, DEVICE_LABEL, DMX_PERSONALITY, PERSONALITY_DESCRIPTION, SENSOR_DEFINITION, SENSOR_VALUE                      |
| ✓   |     |                     | PARAMETER_DESCRIPTION          | 0x0051 | ✓        |   |
| ✓   |     | Product Information | DEVICE_INFO                    | 0x0060 | ✓        | 1, RDM Protocol Version: V1.0;<br>2, Device_Mode_ID: 0x1822;<br>3, Product Category Defines: PRODUCT_CATEGORY_FIXTURE_FIXED;<br>4, Software Version ID;<br>5, DMX512 Footprint;<br>6, DMX512 Personality;<br>7, DMX512 Start Address;<br>8, Sensor Count; |
|     |     |                     | PRODUCT_DETAIL_ID_LIST         | 0x0070 |          |   |
| ✓   |     |                     | DEVICE_MODEL_DESCRIPTION       | 0x0080 |          | LOGICCVM  |
| ✓   |     |                     | MANUFACTURER_LABEL             | 0x0081 |          | ILUMINARC   |
| ✓   | ✓   |                     | DEVICE_LABEL                   | 0x0082 |          | LOGICCVM  |
| ✓   |     |                     | SOFTWARE_VERSION_LABEL         | 0x00C0 | ✓        | V_._  |
| ✓   | ✓   |                     | FACTORY_DEFAULTS               |        |          | FACTORY_DEFAULTS : yes  |
| ✓   | ✓   | DMX Setup           | DMX_PERSONALITY                | 0x00E0 |          | 9pcs persons  |
| ✓   |     |                     | DMX_PERSONALITY_DESCRIPTION    | 0x00E1 |          | RED/1CH, GREEN/1CH, BLUE/1CH, WHITE/1CH, TW/2CH, RGB/3CH, RGBW/4CH, RGBW+D/5CH, FULL/10CH   |
| ✓   | ✓   |                     | DMX_START_ADDRESS              | 0x00F0 | ✓        | 1-503   |
| ✓   |     | Sensors             | SENSOR_DEFINITION              | 0x0200 |          | 0.) Product Temperature __ °C   |
| ✓   |     |                     | SENSOR_VALUE                   | 0x0201 |          | —20° —100°  |
| ✓   | ✓   | Control             | IDENTIFY_DEVICE                | 0x1000 | ✓        | Identify State: Off   |

## QUICK REFERENCE GUIDE

EN

ILUMINARC

### DMX Values

FULL (10 channels)

| Channel   | Function           | Value     | Percent/Setting                       |
|-----------|--------------------|-----------|---------------------------------------|
| 1         | Dimmer             | 000 ⇔ 255 | 0–100%                                |
| 2         | Red                | 000 ⇔ 255 | 0–100%                                |
| 3         | Green              | 000 ⇔ 255 | 0–100%                                |
| 4         | Blue               | 000 ⇔ 255 | 0–100%                                |
| 5         | White              | 000 ⇔ 255 | 0–100%                                |
| 6         | Color temperature  | 000 ⇔ 010 | No function                           |
|           |                    | 011 ⇔ 020 | 1800K                                 |
|           |                    | 021 ⇔ 030 | 2200K                                 |
|           |                    | 031 ⇔ 040 | 2700K                                 |
|           |                    | 041 ⇔ 050 | 3000K                                 |
|           |                    | 051 ⇔ 060 | 3200K                                 |
|           |                    | 061 ⇔ 070 | 4000K                                 |
|           |                    | 071 ⇔ 080 | 4500K                                 |
|           |                    | 081 ⇔ 090 | 5000K                                 |
|           |                    | 091 ⇔ 100 | 5600K                                 |
|           |                    | 101 ⇔ 110 | 6000K                                 |
|           |                    | 111 ⇔ 120 | 6500K                                 |
|           |                    | 121 ⇔ 130 | 7000K                                 |
|           |                    | 131 ⇔ 140 | 8000K                                 |
|           |                    | 141 ⇔ 150 | 10000K                                |
| 151 ⇔ 255 | No function        |           |                                       |
| 7         | Strobe             | 000 ⇔ 009 | No function                           |
|           |                    | 010 ⇔ 099 | Strobe, 0–25 Hz                       |
|           |                    | 100 ⇔ 109 | No function                           |
|           |                    | 110 ⇔ 179 | Lightning strobe, slow to fast        |
|           |                    | 180 ⇔ 189 | No function                           |
|           |                    | 190 ⇔ 255 | Random strobe, slow to fast           |
| 8         | Auto programs      | 000 ⇔ 040 | No function                           |
|           |                    | 041 ⇔ 050 | Automatic program 1                   |
|           |                    | 051 ⇔ 060 | Automatic program 2                   |
|           |                    | 061 ⇔ 070 | Automatic program 3                   |
|           |                    | 071 ⇔ 080 | Automatic program 4                   |
|           |                    | 081 ⇔ 090 | Automatic program 5                   |
|           |                    | 091 ⇔ 100 | Automatic program 6                   |
|           |                    | 101 ⇔ 110 | Automatic program 7                   |
|           |                    | 111 ⇔ 120 | Automatic program 8                   |
|           |                    | 121 ⇔ 130 | Automatic program 9                   |
|           |                    | 131 ⇔ 140 | Automatic program 10                  |
| 141 ⇔ 255 | No function        |           |                                       |
| 9         | Auto program speed | 000 ⇔ 255 | Automatic program speed, slow to fast |
| 10        | Dimmer speed       | 000 ⇔ 009 | No function                           |
|           |                    | 010 ⇔ 129 | Dimmer curve on                       |
|           |                    | 130 ⇔ 255 | Dimmer curve off                      |

## QUICK REFERENCE GUIDE

# ILUMINARC

EN

### RGBW+D (5 channels)

| Channel | Function | Value     | Percent/Setting |
|---------|----------|-----------|-----------------|
| 1       | Dimmer   | 000 ⇔ 255 | 0–100%          |
| 2       | Red      | 000 ⇔ 255 | 0–100%          |
| 3       | Green    | 000 ⇔ 255 | 0–100%          |
| 4       | Blue     | 000 ⇔ 255 | 0–100%          |
| 5       | White    | 000 ⇔ 255 | 0–100%          |

### RGBW (4 channels)

| Channel | Function | Value     | Percent/Setting |
|---------|----------|-----------|-----------------|
| 1       | Red      | 000 ⇔ 255 | 0–100%          |
| 2       | Green    | 000 ⇔ 255 | 0–100%          |
| 3       | Blue     | 000 ⇔ 255 | 0–100%          |
| 4       | White    | 000 ⇔ 255 | 0–100%          |

### RGB (3 channels)

| Channel | Function | Value     | Percent/Setting |
|---------|----------|-----------|-----------------|
| 1       | Red      | 000 ⇔ 255 | 0–100%          |
| 2       | Green    | 000 ⇔ 255 | 0–100%          |
| 3       | Blue     | 000 ⇔ 255 | 0–100%          |

### TW (Tunable White: 2 channels)

| Channel   | Function          | Value     | Percent/Setting |
|-----------|-------------------|-----------|-----------------|
| 1         | Dimmer            | 000 ⇔ 255 | 0–100%          |
| 2         | Color temperature | 000 ⇔ 010 | No function     |
|           |                   | 011 ⇔ 020 | 1800K           |
|           |                   | 021 ⇔ 030 | 2200K           |
|           |                   | 031 ⇔ 040 | 2700K           |
|           |                   | 041 ⇔ 050 | 3000K           |
|           |                   | 051 ⇔ 060 | 3200K           |
|           |                   | 061 ⇔ 070 | 4000K           |
|           |                   | 071 ⇔ 080 | 4500K           |
|           |                   | 081 ⇔ 090 | 5000K           |
|           |                   | 091 ⇔ 100 | 5600K           |
|           |                   | 101 ⇔ 110 | 6000K           |
|           |                   | 111 ⇔ 120 | 6500K           |
|           |                   | 121 ⇔ 130 | 7000K           |
|           |                   | 131 ⇔ 140 | 8000K           |
|           |                   | 141 ⇔ 150 | 10000K          |
| 151 ⇔ 255 | No function       |           |                 |

### WHITE (1 channel)

| Channel | Function | Value     | Percent/Setting    |
|---------|----------|-----------|--------------------|
| 1       | Dimmer   | 000 ⇔ 255 | White only, 0–100% |

### BLUE (1 channel)

| Channel | Function | Value     | Percent/Setting   |
|---------|----------|-----------|-------------------|
| 1       | Dimmer   | 000 ⇔ 255 | Blue only, 0–100% |

### GREEN (1 channel)

| Channel | Function | Value     | Percent/Setting    |
|---------|----------|-----------|--------------------|
| 1       | Dimmer   | 000 ⇔ 255 | Green only, 0–100% |

## QUICK REFERENCE GUIDE

EN

ILUMINARC

### RED (1 channel)

| Channel | Function | Value     | Percent/Setting  |
|---------|----------|-----------|------------------|
| 1       | Dimmer   | 000 ⇔ 255 | Red only, 0–100% |

### Technical Specifications

#### Dimensions and Weight

| Length            | Width           | Height          | Weight          |
|-------------------|-----------------|-----------------|-----------------|
| 23.58 in (599 mm) | 1.22 in (31 mm) | 1.81 in (46 mm) | 0.6 lb (0.3 kg) |

**Note:** Dimensions in inches are rounded.

#### Power

| Power Source        | Input Voltage | Voltage Selection |
|---------------------|---------------|-------------------|
| Power Over Ethernet | 52-56 VDC     | Fixed             |

| Single Fixture Power | Total Linking Power per Port/POEI | Power Linking                    |
|----------------------|-----------------------------------|----------------------------------|
| 15 W via POE         | 75 W via POE                      | 5 products per port/POE injector |

| Power I/O              | U.S./Worldwide | UK/Europe     |
|------------------------|----------------|---------------|
| Power input connector  | Ethernet RJ45  | Ethernet RJ45 |
| Power output connector | Ethernet RJ45  | Ethernet RJ45 |
| Cable type (required)  | CAT6           | CAT6          |

#### Light Source

| Type | Color | Quantity | Power | Current | Lifespan     |
|------|-------|----------|-------|---------|--------------|
| LED  | RGBW  | 18       | 2.5 W | 870 mA  | 50,000 hours |

#### Photometrics

| Filter                    | Beam Angle      | Field Angle     | Cutoff Angle | Illuminance @ 5 m |
|---------------------------|-----------------|-----------------|--------------|-------------------|
| Open optics               | 119.9° x 122.2° | 164.4° x 165.2° | 178.4°       | 9 lux             |
| Very Wide (pre-installed) | 142.1° x 135.6° | 251° x 167°     | 334.2°       | 4 lux             |

#### Cabling

| Total Max Cable Length (Fixture to Fixture) | Cable Diameter Range Less than 50 ft (15 m) | Cable Diameter Range 50-328 ft (15-100 m) |
|---|---|---|
| 328 ft (100 m)                              | 23-28 AWG (shielded or unshielded)          | 23 AWG (shielded)                         |

#### Thermal

| Ambient Temperature Range         | Cooling    |
|-----------------------------------|------------|
| -4 °F to 113 °F (-20 °C to 45 °C) | Convection |

#### Ordering

| Product Name | Item Name | Item Code | UPC Number   |
|--------------|-----------|-----------|--------------|
| LQIC Cove M  | LOGICVM   | 1541822   | 781462221706 |

## Acerca de Esta Guía

La Guía de Referencia Rápida (GRR) del LQGIC Cove M contiene información sobre el producto, como montaje, opciones de menú y valores DMX. Descargue el Manual de Usuario del LQGIC Drive 2X de [www.iluminarc.com](http://www.iluminarc.com) para información más detallada.

## Exención de Responsabilidad

La información y especificaciones contenidas en esta GRR están sujetas a cambio sin previo aviso.

## GARANTÍA LIMITADA

**PARA VER EL REGISTRO DE GARANTÍA Y LOS TÉRMINOS Y CONDICIONES COMPLETOS, VISITE NUESTRO SITIO WEB.**

**Para clientes en los Estados Unidos y México:** [www.www.iluminarc.com/warranty-registration-architectural-lighting](http://www.www.iluminarc.com/warranty-registration-architectural-lighting).

**Para clientes en Reino Unido, República de Irlanda, Bélgica, Países Bajos, Luxemburgo, Francia y Alemania:** [www.www.iluminarc.com/warranty-registration-architectural-lighting](http://www.www.iluminarc.com/warranty-registration-architectural-lighting).

Chauvet garantiza que este producto estará libre de defectos de material y mano de obra en condiciones de uso normales, durante el periodo especificado, sujeto siempre a las exclusiones y limitaciones establecidas en la garantía limitada completa de nuestro sitio web. Esta garantía se concede únicamente al comprador original del producto y no es transferible. Para ejercer los derechos que otorga esta garantía, usted debe proporcionar una prueba de compra en forma de un recibo de compra original, expedido por un distribuidor autorizado, donde figure el nombre del producto y la fecha de compra. **NO EXISTEN OTRAS GARANTÍAS EXPRESAS NI IMPLÍCITAS.** Esta garantía le otorga derechos legales específicos. Es posible que a usted le asistan otros derechos, que variarán dependiendo del estado o del país. Esta garantía solamente es válida en los Estados Unidos, Reino Unido, República de Irlanda, Bélgica, Países Bajos, Luxemburgo, Francia, Alemania y México. Para conocer los términos de garantía en otros países, consulte a su distribuidor local.

## Notas de Seguridad

- La luminaria debe colocarse de forma que no sea previsible que se mire fijamente hacia ella a una distancia menor de 3,3' (1 m).
- Si se daña el cable externo flexible de esta luminaria, se sustituirá con un cable especial o con un cable disponible exclusivamente a través del fabricante o de su agente de servicio técnico.
- Solo el fabricante, su agente de servicio o un técnico de similar cualificación podrán reemplazar la fuente de luz contenida en esta luminaria.
- La luminaria está destinada exclusivamente a un uso profesional.
- NO abra este producto. No contiene piezas reparables por el usuario.
- NO mire a la fuente de luz cuando el producto esté encendido.
- Para evitar un desgaste innecesario y alargar su vida útil, desconecte complemente el producto de la alimentación, mediante el interruptor o desenchufándolo, durante los periodos en los que no se use.
- Cuidado: cuando transfiera el producto desde ambientes con temperatura extrema (p. ej., del remolque frío de un camión a una sala de baile con calor y humedad), puede formarse condensación en la electrónica interna del producto. Para evitar que se produzca una avería, deje que el producto se aclimate completamente al ambiente antes de conectar la alimentación.
- CUIDADO: La carcasa de este producto está caliente cuando las luces están en funcionamiento.
- Monte este producto en una ubicación con ventilación adecuada, al menos a 20" (50 cm) de superficies adyacentes.
- NO deje ningún material inflamable a menos de 11.8" (30 cm) de este producto mientras esté funcionando o conectado a la alimentación.
- USE un cable de seguridad cuando monte este producto en lo alto.
- NO ponga en funcionamiento este producto en el exterior o en cualquier ubicación en la que el polvo, calor excesivo, agua o humedad puedan afectarlo. (IP20)
- NO ponga en funcionamiento este producto si sospecha que la carcasa, lentes o cables están dañados.
- NO conecte este producto a un atenuador o reostato.
- Conecte este producto a un equipo con fuente de alimentación (PSE) PoE IEEE 802.3bt.
- En caso de un problema grave de funcionamiento, deje de usarlo inmediatamente.
- La máxima temperatura ambiente es de 113 °F (45 °C). No haga funcionar este producto a temperaturas más altas.
- La temperatura de inicio máxima es de -4 °F (-20 °C). No ponga en funcionamiento el producto a temperaturas más bajas.
- La temperatura ambiente mínima es de -22 °F (-30 °C). No haga funcionar el producto a temperaturas más bajas.

## Cumplimiento de la FCC

Este dispositivo cumple la parte 15, parte B de las normas FCC. El funcionamiento está supeditado al cumplimiento de estas dos condiciones:

1. Este dispositivo no puede causar interferencias perjudiciales; y
2. Este dispositivo debe aceptar cualquier interferencia recibida, incluyendo las interferencias que puedan causar un funcionamiento no deseado.

Cualquier cambio o modificación que no haya sido expresamente autorizado por la parte responsable de conformidad puede anular la potestad del usuario para hacer funcionar el equipo.

## Contacto

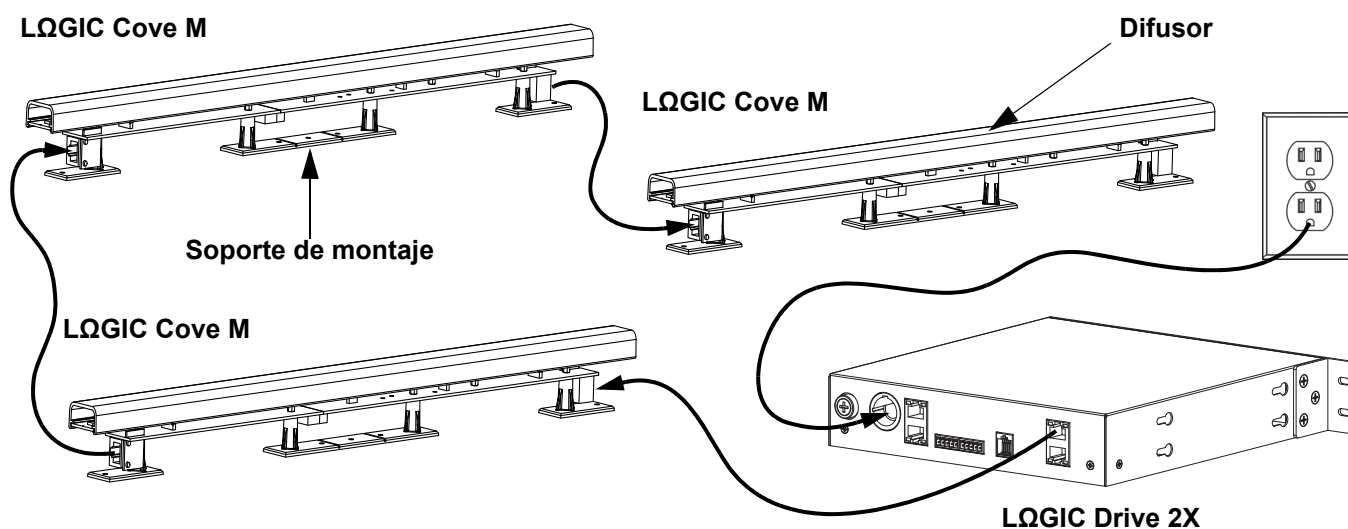
Fuera de EE. UU., Reino Unido, Irlanda, Benelux, Francia, Alemania o México póngase en contacto con su distribuidor para solicitar asistencia o devolver un producto. Consulte [Contact Us](#) al final de este GRR para información de contacto.

## Qué va Incluido

- LQGIC Cove M
- Tapa protectora transparente
- Soporte con tornillos
- Guía de Referencia Rápida

## Descripción del producto

Cada LQGIC Cove M viene con un difusor y soportes de montaje de plástico. Están preconfigurados para una distancia de lanzamiento muy corta en aplicaciones de bovedilla.



**No se recomienda utilizar LQGIC Cove M sin el difusor incluido.**

## Alimentación CC

Este producto recibe la alimentación del LQGIC Drive 2X a través de una conexión CAT6 de 52 V CC. Descargue el manual de usuario del LQGIC Drive 2X de [www.iluminarc.com](http://www.iluminarc.com) para una información más detallada.

## Alimentación en cadena

Es posible enlazar hasta 5 productos LQGIC Cove M desde una salida del LQGIC Drive 2X.

## Enlace de señal

El LQGIC Cove M recibirá una señal de control (DMX, RDM, Art-Net™ o sACN) del LQGIC Drive 2X a través de una conexión CAT6.

## Conexión y Cableado

El LQGIC Cove M utiliza cable CAT6 estándar (no cable cruzado) y alimentación IEEE 802.3bt POE estándar.

Los cables cortos pueden utilizar un calibre más pequeño, pero cualquier cable más largo de 15 m (50 ft.) debe ser 23 AWG y apantallado; si no, es posible que los productos no reciban alimentación suficiente.

Requisitos del cable: calibre máx./min. de cuatro pares trenzados 23/28 AWG CAT6.

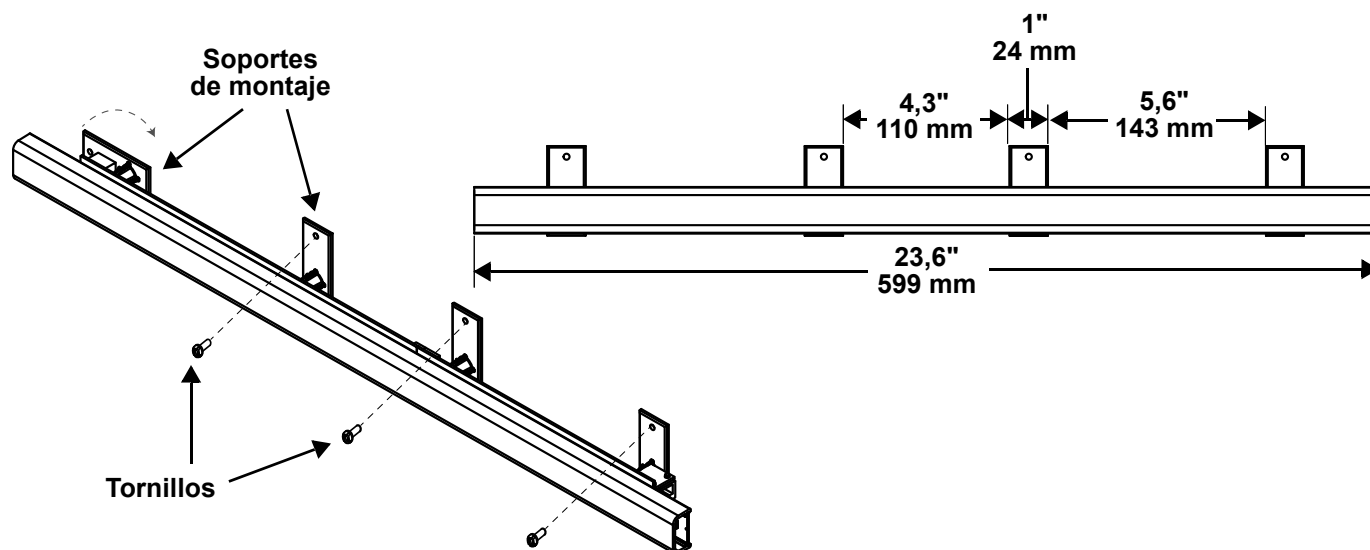
- Para distancias menores de 15 m (50 ft.): 23–28 AWG (apantallado o no apantallado)
- Para distancias de 15–100 m (50–328 ft.): 23 AWG (apantallado)



**Un ejemplo de cable corto con un diámetro de cables más pequeño que se ha comprobado que funciona eficazmente con el LQGIC Cove M es el de los cables de conexión de Ethernet CAT6 Monoprice Slimrun, trenzados 550 MHz, UTP, hilo de cobre sin aislamiento, 28 AWG.**

**Montaje**

Cada LQGIC Cove M viene con soportes de montaje fijos que admiten alineamiento LED preconfigurado entre dispositivos.



- Gire los soportes de plástico horizontalmente sobre su eje antes de fijarlos con los pernos o tornillos.
- Cuando instale varios LQGIC Cove M, asegúrese de que haya espacio suficiente entre ellos (consulte el dibujo para conocer las dimensiones del dispositivo).

**Mapa de Menú**

Acceda al menú del LQGIC Cove M a través del menú **Linked Fixtures** del LQGIC Drive 2X.

Consulte la páginas del productos LQGIC Cove M y LQGIC Drive 2X en [www.iluminarc.com](http://www.iluminarc.com) para ver el último mapa de menú.

| Nivel Principal      | Niveles de Programación |   | Descripción  |
|----------------------|-------------------------|---|--|
| <b>Dmx Address</b>   | <b>001–512</b>          |   | Selecciona la dirección DMX                                  |
| <b>Personality</b>   | <b>RED</b>              |   | 1 canal: atenuador (solo roja)                               |
|                      | <b>GREEN</b>            |   | 1 canal: atenuador (solo verde)                              |
|                      | <b>BLUE</b>             |   | 1 canal: atenuador (solo azul)                               |
|                      | <b>WHITE</b>            |   | 1 canal: atenuador (solo blanco)                             |
|                      | <b>TW</b>               |   | 2 canales, blanco ajustable: atenuador, temperatura de color |
|                      | <b>RGB</b>              |   | 3 canales: control RGB                                       |
|                      | <b>RGBW</b>             |   | 4 canales: control RGBW                                      |
|                      | <b>RGBW+D</b>           |   | 5 canales: atenuador, control RGBW                           |
| <b>Network</b>       | <b>Net Switch</b>       | <b>2.X.X.X</b>                                | Selecciona el primer valor de la dirección IP                |
|                      |                         | <b>10.X.X.X</b>                               |  |
|                      | <b>Universe</b>         | <b>000–255 / 001–256</b><br>(Art-Net™) (sACN) | Selecciona el universo                                       |
| <b>Local Info</b>    | <b>Version</b>          | <b>V _._.</b>                                 | Muestra instalada la versión de firmware                     |
|                      | <b>IP Address</b>       | <b>_. _ . _ . _ . _ . _ . _ . _ .</b>         | Muestra la dirección IP                                      |
|                      | <b>Fixture Hours</b>    | <b>_ hours</b>                                | Muestra el nombre total de las horas del producto            |
|                      | <b>Label</b>            | <b>_. _ . _ . _ . _ . _ .</b>                 | Muestra la etiqueta del producto                             |
|                      | <b>Device UID</b>       | <b>_. _ . _ . _ . _ . _ .</b>                 | Muestra la UID del producto                                  |
|                      | <b>MAC Address</b>      | <b>_. _ . _ . _ . _ . _ .</b>                 | Muestra la dirección MAC                                     |
| <b>Factory Reset</b> | <b>No</b>               |   | Restablece a la configuración predeterminada de fábrica      |
|                      | <b>Yes</b>              |   |  |

**Gráfico RDM**

Consulte la página del producto LQGIC Cove M en [www.iluminarc.com](http://www.iluminarc.com) para obtener el cuadro RDM más reciente.

| GET | SET | Categoría           | ID de parámetros RDM (Ranura 21-22) | Valor  | Requerido | Detalle   |
|-----|-----|---------------------|-------------------------------------|--------|-----------|---|
|     |     | Network Management  | DISC_UNIQUE_BRANCH                  | 0x0001 | ✓         |   |
|     |     |                     | DISC_MUTE                           | 0x0002 | ✓         |   |
|     |     |                     | DISC_UN_MUTE                        | 0x0003 | ✓         |   |
| ✓   |     | RDM Information     | QUEUED_MESSAGE                      | 0x0020 |           |   |
| ✓   |     |                     | SUPPORTED_PARAMETERS                | 0x0050 | ✓         | IDENTIFY_DEVICE, DEVICE_INFO, SOFTWARE_VERSION_LABEL, SUPPORTED_PARAMETERS, DMX_START_ADDRESS, DEVICE_MODEL_DESCRIPTION, MANUFACTURER_LABEL, DEVICE_LABEL, DMX_PERSONALITY, PERSONALITY_DESCRIPTION, SENSOR_DEFINITION, SENSOR_VALUE                      |
| ✓   |     |                     | PARAMETER_DESCRIPTION               | 0x0051 | ✓         |   |
| ✓   |     | Product Information | DEVICE_INFO                         | 0x0060 | ✓         | 1, RDM Protocol Version: V1.0;<br>2, Device_Mode_ID: 0x1822;<br>3, Product Category Defines: PRODUCT_CATEGORY_FIXTURE_FIXED;<br>4, Software Version ID;<br>5, DMX512 Footprint;<br>6, DMX512 Personality;<br>7, DMX512 Start Address;<br>8, Sensor Count; |
|     |     |                     | PRODUCT_DETAIL_ID_LIST              | 0x0070 |           |   |
| ✓   |     |                     | DEVICE_MODEL_DESCRIPTION            | 0x0080 |           | LOGICCVM  |
| ✓   |     |                     | MANUFACTURER_LABEL                  | 0x0081 |           | ILUMINARC   |
| ✓   | ✓   |                     | DEVICE_LABEL                        | 0x0082 |           | LOGICCVM  |
| ✓   |     |                     | SOFTWARE_VERSION_LABEL              | 0x00C0 | ✓         | V_._  |
| ✓   | ✓   |                     | FACTORY_DEFAULTS                    |        |           | FACTORY_DEFAULTS : yes  |
| ✓   | ✓   | DMX Setup           | DMX_PERSONALITY                     | 0x00E0 |           | 9pcs persons  |
| ✓   |     |                     | DMX_PERSONALITY_DESCRIPTION         | 0x00E1 |           | RED/1CH, GREEN/1CH, BLUE/1CH, WHITE/1CH, TW/2CH, RGB/3CH, RGBW/4CH, RGBW+D/5CH, FULL/10CH   |
| ✓   | ✓   |                     | DMX_START_ADDRESS                   | 0x00F0 | ✓         | 1-503   |
| ✓   |     | Sensors             | SENSOR_DEFINITION                   | 0x0200 |           | 0.) Product Temperature __ °C   |
| ✓   |     |                     | SENSOR_VALUE                        | 0x0201 |           | —20° —100°  |
| ✓   | ✓   | Control             | IDENTIFY_DEVICE                     | 0x1000 | ✓         | Identify State: Off   |

**Valores DMX**

**FULL (10 canales)**

| Canal     | Función                           | Valor     | Porcentaje/Configuración                          |
|-----------|-----------------------------------|-----------|---|
| 1         | Atenuador                         | 000 ⇔ 255 | 0–100%  |
| 2         | Rojo                              | 000 ⇔ 255 | 0–100%  |
| 3         | Verde                             | 000 ⇔ 255 | 0–100%  |
| 4         | Azul                              | 000 ⇔ 255 | 0–100%  |
| 5         | Blanco                            | 000 ⇔ 255 | 0–100%  |
| 6         | Temperatura del color             | 000 ⇔ 010 | Sin función                                       |
|           |                                   | 011 ⇔ 020 | 1800K   |
|           |                                   | 021 ⇔ 030 | 2200K   |
|           |                                   | 031 ⇔ 040 | 2700K   |
|           |                                   | 041 ⇔ 050 | 3000K   |
|           |                                   | 051 ⇔ 060 | 3200K   |
|           |                                   | 061 ⇔ 070 | 4000K   |
|           |                                   | 071 ⇔ 080 | 4500K   |
|           |                                   | 081 ⇔ 090 | 5000K   |
|           |                                   | 091 ⇔ 100 | 5600K   |
|           |                                   | 101 ⇔ 110 | 6000K   |
|           |                                   | 111 ⇔ 120 | 6500K   |
|           |                                   | 121 ⇔ 130 | 7000K   |
|           |                                   | 131 ⇔ 140 | 8000K   |
|           |                                   | 141 ⇔ 150 | 10000K  |
| 151 ⇔ 255 | Sin función                       |           |   |
| 7         | Estroboscopio                     | 000 ⇔ 009 | Sin función                                       |
|           |                                   | 010 ⇔ 099 | Estroboscopio, lento a rápido                     |
|           |                                   | 100 ⇔ 109 | Sin función                                       |
|           |                                   | 110 ⇔ 179 | Efecto relámpago, lento a rápido                  |
|           |                                   | 180 ⇔ 189 | Sin función                                       |
|           |                                   | 190 ⇔ 255 | Estroboscopio aleatorio, lento a rápido           |
| 8         | Programas automáticos             | 000 ⇔ 040 | Sin función                                       |
|           |                                   | 041 ⇔ 050 | Programa automático 1                             |
|           |                                   | 051 ⇔ 060 | Programa automático 2                             |
|           |                                   | 061 ⇔ 070 | Programa automático 3                             |
|           |                                   | 071 ⇔ 080 | Programa automático 4                             |
|           |                                   | 081 ⇔ 090 | Programa automático 5                             |
|           |                                   | 091 ⇔ 100 | Programa automático 6                             |
|           |                                   | 101 ⇔ 110 | Programa automático 7                             |
|           |                                   | 111 ⇔ 120 | Programa automático 8                             |
|           |                                   | 121 ⇔ 130 | Programa automático 9                             |
|           |                                   | 131 ⇔ 140 | Programa automático 10                            |
| 141 ⇔ 255 | Sin función                       |           |   |
| 9         | Velocidad del programa automático | 000 ⇔ 255 | Velocidad del programa automático, lento a rápido |
| 10        | Velocidad del atenuador           | 000 ⇔ 009 | Sin función                                       |
|           |                                   | 010 ⇔ 129 | Curva atenuador activada                          |
|           |                                   | 130 ⇔ 255 | Curva atenuador desactivada                       |

**RGBW+D (5 Canales)**

| Canal | Función   | Valor     | Porcentaje/Configuración |
|-------|-----------|-----------|--------------------------|
| 1     | Atenuador | 000 ⇔ 255 | 0–100%                   |
| 2     | Rojo      | 000 ⇔ 255 | 0–100%                   |
| 3     | Verde     | 000 ⇔ 255 | 0–100%                   |
| 4     | Azul      | 000 ⇔ 255 | 0–100%                   |
| 5     | Blanco    | 000 ⇔ 255 | 0–100%                   |

**RGBW (4 Canales)**

| Canal | Función | Valor     | Porcentaje/Configuración |
|-------|---------|-----------|--------------------------|
| 1     | Rojo    | 000 ⇔ 255 | 0–100%                   |
| 2     | Verde   | 000 ⇔ 255 | 0–100%                   |
| 3     | Azul    | 000 ⇔ 255 | 0–100%                   |
| 4     | Blanco  | 000 ⇔ 255 | 0–100%                   |

**RGB (3 Canales)**

| Canal | Función | Valor     | Porcentaje/Configuración |
|-------|---------|-----------|--------------------------|
| 1     | Rojo    | 000 ⇔ 255 | 0–100%                   |
| 2     | Verde   | 000 ⇔ 255 | 0–100%                   |
| 3     | Azul    | 000 ⇔ 255 | 0–100%                   |

**TW (2 Canales)**

| Canal | Función               | Valor     | Porcentaje/Configuración |
|-------|-----------------------|-----------|--------------------------|
| 1     | Atenuador             | 000 ⇔ 255 | 0–100%                   |
| 2     | Temperatura del color | 000 ⇔ 010 | Sin función              |
|       |                       | 011 ⇔ 020 | 1800K                    |
|       |                       | 021 ⇔ 030 | 2200K                    |
|       |                       | 031 ⇔ 040 | 2700K                    |
|       |                       | 041 ⇔ 050 | 3000K                    |
|       |                       | 051 ⇔ 060 | 3200K                    |
|       |                       | 061 ⇔ 070 | 4000K                    |
|       |                       | 071 ⇔ 080 | 4500K                    |
|       |                       | 081 ⇔ 090 | 5000K                    |
|       |                       | 091 ⇔ 100 | 5600K                    |
|       |                       | 101 ⇔ 110 | 6000K                    |
|       |                       | 111 ⇔ 120 | 6500K                    |
|       |                       | 121 ⇔ 130 | 7000K                    |
|       |                       | 131 ⇔ 140 | 8000K                    |
|       |                       | 141 ⇔ 150 | 10000K                   |
|       |                       | 151 ⇔ 255 | Sin función              |

**WHITE (1 Canal)**

| Canal | Función   | Valor     | Porcentaje/Configuración |
|-------|-----------|-----------|--------------------------|
| 1     | Atenuador | 000 ⇔ 255 | Sólo blanco., 0–100%     |

**BLUE(1 Canal)**

| Canal | Función   | Valor     | Porcentaje/Configuración |
|-------|-----------|-----------|--------------------------|
| 1     | Atenuador | 000 ⇔ 255 | Sólo azul, 0–100%        |

**GREEN (1 Canal)**

| Canal | Función   | Valor     | Porcentaje/Configuración |
|-------|-----------|-----------|--------------------------|
| 1     | Atenuador | 000 ⇔ 255 | Sólo verde, 0–100%       |

**RED (1 Canal)**

| Canal | Función   | Valor     | Porcentaje/Configuración |
|-------|-----------|-----------|--------------------------|
| 1     | Atenuador | 000 ⇔ 255 | Sólo rojo, 0–100%        |

**Especificaciones Técnicas**

**Dimensiones y Peso**

| Longitud        | Anchura       | Altura        | Peso            |
|-----------------|---------------|---------------|-----------------|
| 599 mm (23,58") | 31 mm (1,22") | 46 mm (1,81") | 0,3 kg (0,6 lb) |

**Nota:** las dimensiones en pulgadas están redondeadas.

**Alimentación**

| Fuente de Alimentación            | Tensión de entrada | Selección de Tensión |
|-----------------------------------|--------------------|----------------------|
| Alimentación a través de Ethernet | 52-56 VCC          | Fije                 |

| Alimentación de un solo dispositivo | Potencia de enlace total por puerto | Alimentación en cadena              |
|-------------------------------------|-------------------------------------|-------------------------------------|
| 15 W a través de POE                | 75 W a través de POE                | 5 productos por puerto/injector POE |

| E/S alimentación                    | US/Mundial    | UK/Europa     |
|-------------------------------------|---------------|---------------|
| Conector de entrada de alimentación | Ethernet RJ45 | Ethernet RJ45 |
| Conector de salida de alimentación  | Ethernet RJ45 | Ethernet RJ45 |
| Tipo de cable (requerido)           | CAT6          | CAT6          |

**Fuente de luz**

| Tipo | Color | Cantidad | Potencia | Corriente | Vida útil    |
|------|-------|----------|----------|-----------|--------------|
| LED  | RGBW  | 18       | 2,5 W    | 870 mA    | 50.000 horas |

**Photometrics**

| Filtro                     | Ángulo de haz   | Ángulo de campo | Ángulo de corte | Iluminancia a 5 m |
|----------------------------|-----------------|-----------------|-----------------|-------------------|
| Ópticos abiertos           | 119,9° x 122,2° | 164,4° x 165,2° | 178,4°          | 9 lux             |
| Muy amplio (pre instalado) | 142,1° x 135,6° | 251° x 167°     | 334,2°          | 4 lux             |

**Cableado**

| Longitud del cable máxima total (Aparato a aparato) | Rango de diámetro del cable Menos de 50' (15 m) | Rango de diámetro del cable 50-328' (15-100 m) |
|---|---|--|
| 100 m (328')  | 23-28 AWG (apantallado o no apantallado)        | 23 AWG (apantallado)                           |

**Térmico**

| Rango de temperatura ambiente   | Refrigeración |
|---------------------------------|---------------|
| -20 °C a 45 °C (-4 °F a 113 °F) | Convección    |

**Pedidos**

| Descripción del Producto | Nombre del Producto | Código de Artículo | Número UPC   |
|--------------------------|---------------------|--------------------|--------------|
| LQIC Cove M              | LOGICCV M           | 1541822            | 781462221706 |

## À Propos de ce Manuel

Le Manuel de Référence du LQGIC Cove M (MdR) reprend des informations de base sur cet appareil notamment en matière de connexions, montage, options de menu et valeurs DMX. Télécharger le Manuel d'Utilisation du LQGIC Drive 2X sur [www.iluminarc.com](http://www.iluminarc.com) pour de plus amples informations.

### Clause de Non-Responsabilité

Les informations et caractéristiques contenues dans ce manuel sont sujettes à changement sans préavis.

### GARANTIE LIMITÉE

**VEUILLEZ VISITER NOTRE SITE INTERNET POUR CONSULTER LES MODALITÉS D'ENREGISTREMENT DE LA GARANTIE ET LES CONDITIONS GÉNÉRALES COMPLÈTES.**

**Pour les clients aux États-Unis et au Mexique:** [www.www.iluminarc.com/warranty-registration-architectural-lighting](http://www.www.iluminarc.com/warranty-registration-architectural-lighting).

**Pour les clients du Royaume-Uni, de la République d'Irlande, de la Belgique, des Pays-Bas, du Luxembourg, de la France et de l'Allemagne:** [www.www.iluminarc.com/warranty-registration-architectural-lighting](http://www.www.iluminarc.com/warranty-registration-architectural-lighting).

Chauvet garantit que cet appareil est exempt de défauts de matériaux et de fabrication dans des conditions normales d'utilisation, pendant la période spécifiée dans la garantie limitée complète consultable sur notre site Internet et sous réserve des exclusions et limitations qui y sont énoncées. Cette garantie ne s'applique qu'à l'acheteur initial du produit et n'est pas transférable. Pour exercer les droits prévus par cette garantie, vous devez fournir une preuve d'achat sous la forme d'un reçu de vente original d'un revendeur autorisé qui indique le nom du produit et la date d'achat. IL N'EXISTE AUCUNE AUTRE GARANTIE EXPRESSE OU IMPLICITE. Cette garantie vous confère des droits légaux spécifiques. Vous pouvez également bénéficier d'autres droits qui varient selon les états et les pays. Cette garantie n'est valable qu'aux États-Unis, au Royaume-Uni, en République d'Irlande, en Belgique, aux Pays-Bas, au Luxembourg, en France, en Allemagne et au Mexique. Pour connaître les conditions de garantie dans d'autres pays, veuillez consulter votre revendeur local.

### Consignes de Sécurité

- Le luminaire doit être placé de manière à ce qu'il ne soit pas possible de le regarder de manière fixe à une distance inférieure à 3,3 pi (1 m).
- Si le câble ou le cordon flexible externe de ce luminaire est endommagé, il doit être remplacé par un câble ou cordon spécial disponible exclusivement auprès du fabricant ou de son prestataire de service.
- La source lumineuse contenue dans ce luminaire ne peut être remplacée que par le fabricant ou son prestataire de service ou une personne suffisamment qualifiée.
- Ce luminaire est uniquement réservé à un usage professionnel.
- N'ouvrez PAS cet appareil. Il ne contient aucun composant susceptible d'être réparé par l'utilisateur.
- Ne regardez PAS la source lumineuse lorsque l'appareil fonctionne.
- Attention : Lorsque l'appareil est transféré d'un environnement à température extrême à un autre (par exemple d'un camion froid vers une salle de bal chaude et humide), de la condensation peut se former sur les composants électriques internes. Pour éviter de causer des dommages, laissez l'appareil s'acclimater entièrement au milieu environnant avant de le mettre sous tension.
- ATTENTION : le boîtier de cet appareil est brûlant lors du fonctionnement.
- Montez toujours cet appareil dans un endroit bien ventilé, à au moins, 20 po (50 cm) des surfaces adjacentes.
- Ne laissez AUCUNE source inflammable dans un rayon de 20 po (50 cm) de l'appareil lorsque celui-ci fonctionne.
- Utilisez TOUJOURS un câble de sécurité lorsque vous montez cet appareil en hauteur.
- N'utilisez PAS cet appareil en extérieur ou tout autre endroit où de la poussière, une chaleur excessive, de l'eau ou de l'humidité pourrait en affecter le fonctionnement. (IP20)
- N'utilisez PAS cet appareil si le boîtier, les lentilles ou les câbles vous semblent endommagés.
- Ne connectez PAS cet appareil ni à un gradateur ni à un rhéostat.
- Cet appareil doit UNIQUEMENT être branché sur une source d'alimentation (PSE) IEEE 802.3bt POE.
- En cas de sérieux problèmes de fonctionnement, arrêtez le système immédiatement.
- La température ambiante maximale supportée par ce produit est de 113 °F (45 °C). Ne le faites pas fonctionner à des températures plus élevées.
- La température de démarrage minimale est de -20°C (-4°F). Ne pas démarrer l'appareil à des températures plus basses.
- La température ambiante minimale est de -30°C (-22°F). Ne pas utiliser l'appareil à des températures plus basses.

### Conformité FCC

Cet appareil est conforme à la partie 15, sous-partie B du règlement de la FCC. L'utilisation est soumise aux deux conditions suivantes :

1. Cet appareil ne doit pas causer d'interférences nuisibles, et
2. Cet appareil doit accepter toutes les interférences reçues, y compris celles pouvant entraîner un fonctionnement indésirable.

Tout changement ou modification non expressément approuvé par l'autorité responsable de la conformité pourrait annuler le droit de l'utilisateur à utiliser l'équipement.

### Contact

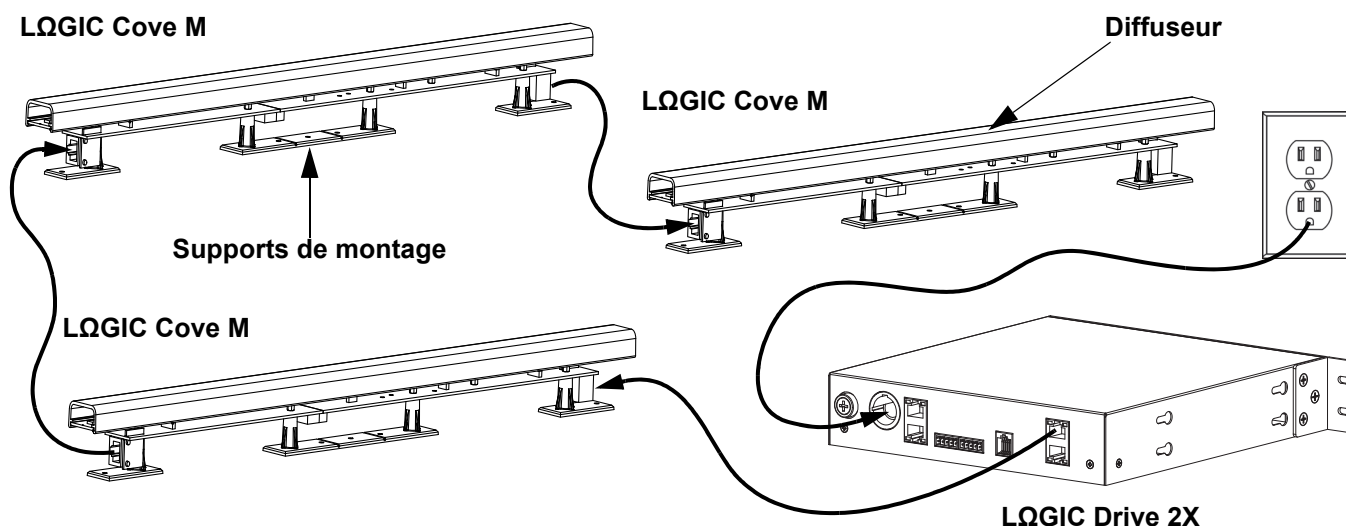
En dehors des États-Unis, du Royaume-Uni, de l'Irlande, du Benelux, de la France, de l'Allemagne, ou du Mexique, contactez votre fournisseur si vous avez besoin d'assistance ou pour retourner un appareil. Référez-vous à [Contact Us](#) à la fin de ce MdR pour obtenir des informations pour nous contacter.

### Ce Qui est Inclus

- LQGIC Cove M
- Support de gelatine
- Fixation Omega
- Manuel de Référence

### Vue d'ensemble de l'appareil

Le LQGIC Cove M est un luminaire à LED conçu pour les applications compactes en corniche. Il s'agit d'un produit basse tension sûr qui prend en charge un mélange total des couleurs RGBW. Chaque LQGIC Cove M est livré avec un diffuseur et un support de montage en plastique.



L'utilisation d'un LQGIC Cove M sans diffuseur n'est pas recommandée.

### Courant continu

Cet appareil est alimenté par le LQGIC Drive 2X via une connexion CAT6 de 52 VDC. Pour plus de détails, téléchargez le manuel d'utilisation du LQGIC Drive 2X sur [www.iluminarc.com](http://www.iluminarc.com).

### Chaînage électrique

Il est possible de connecter jusqu'à 5 appareils LQGIC Cove M à partir d'une seule sortie du LQGIC Drive 2X.

### Chaînage du signal

Le LQGIC Cove M est conçu pour recevoir un signal de commande (DMX, RDM, Art-Net™ ou sACN) depuis le LQGIC Drive 2X via une connexion CAT6.

### Connexion et câblage

Le LQGIC Cove M utilise un câble CAT6 standard (câble non croisé) et la norme d'alimentation IEEE 802.3bt POE.

Il est possible d'utiliser des câbles de diamètre plus petit pour les distances courtes, mais tout câble de plus de 15 m (50 ft) doit être blindé et d'un diamètre de 23 AWG sans quoi les appareils risquent de ne pas être suffisamment alimentés.

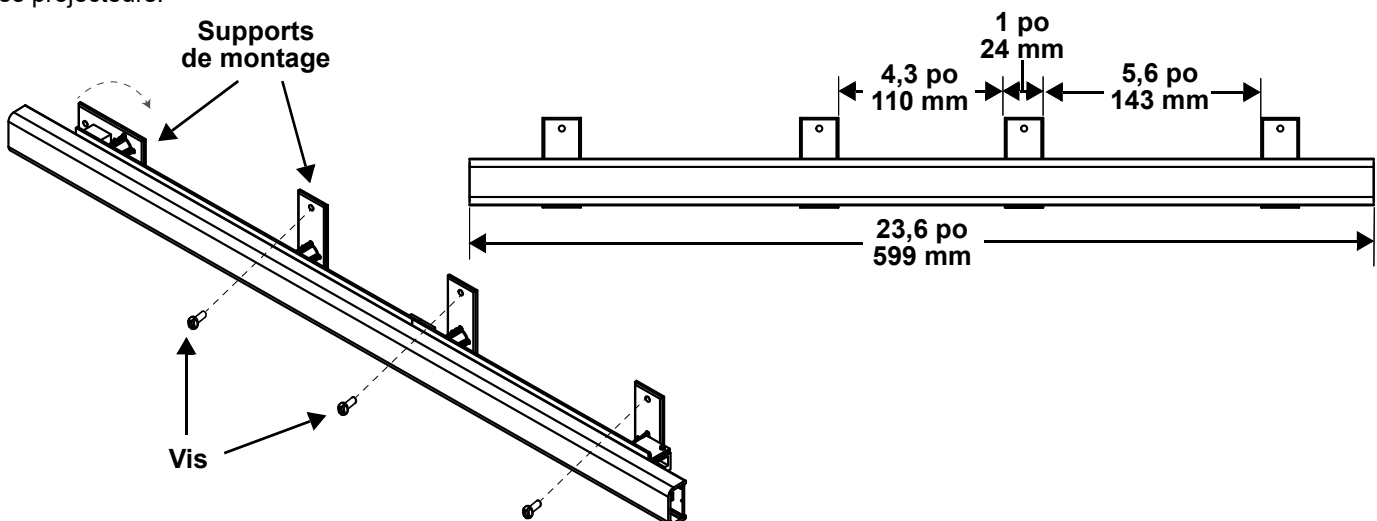
Exigences relatives au câble : Quatre paires torsadées de diamètre max/min de 23/28 AWG.


- Pour les distances inférieures à 15 m (50 ft) : 23-28 AWG (blindé ou non blindé)
- Pour des distances de 15 à 100 m (50 à 328 ft) : 23 AWG (blindé)

 **Le câble de raccordement Ethernet CAT6 Monoprice Slimrun, toronné 550 MHz, UTP, fil de cuivre nu pur, diamètre 28 AWG est un bon exemple de câble court avec un diamètre de câble plus petit qui s'est avéré fonctionner efficacement avec le LQGIC Cove M.**

### Installation

Chaque LQGIC Cove M est livré avec un support de montage fixe qui prend en charge l'alignement préconfiguré des LED entre les projecteurs.



-  **Faites pivoter les supports en plastique horizontalement sur leur axe avant de les fixer avec des boulons ou des vis.**
- **Lorsque vous installez plusieurs LQGIC Cove M, assurez-vous qu'il y a suffisamment d'espace entre chacun (voir le dessin pour les dimensions des appareils).**

**Plan du Menu**

Accédez au menu du LQGIC Cove M par le biais du menu LQGIC Drive 2X **Linked Fixtures**.

Reportez-vous à la pages du produits LQGIC Cove M et LQGIC Drive 2X sur [www.iluminarc.com](http://www.iluminarc.com) pour la dernière plan du menu.

| Menu Principal       | Niveaux de Programmation |   | Description  |
|----------------------|--------------------------|---|--|
| <b>Dmx Address</b>   | <b>001–512</b>           |   | Définir l'adresse DMX  |
| <b>Personality</b>   | <b>RED</b>               |   | 1 canal : gradateur (rouge seulement)                        |
|                      | <b>GREEN</b>             |   | 1 canal : gradateur (vert seulement)                         |
|                      | <b>BLUE</b>              |   | 1 canal : gradateur (bleu seulement)                         |
|                      | <b>WHITE</b>             |   | 1 canal : gradateur (blanc seulement)                        |
|                      | <b>TW</b>                |   | 2 canaux, Blanc réglable : gradateur, température de couleur |
|                      | <b>RGB</b>               |   | 3 canaux : contrôle RGB                                      |
|                      | <b>RGBW</b>              |   | 4 canaux : contrôle RGBW                                     |
|                      | <b>RGBW+D</b>            |   | 5 canaux : gradateur, contrôle RGBW                          |
| <b>Network</b>       | <b>Net Switch</b>        | <b>2.X.X.X</b>                                | Sélectionne la première valeur de l'adresse IP               |
|                      |                          | <b>10.X.X.X</b>                               |  |
|                      | <b>Universe</b>          | <b>000–255 / 001–256</b><br>(Art-Net™) (sACN) | Sélectionne l'univers  |
| <b>Local Info</b>    | <b>Version</b>           | <b>V _._.</b>                                 | Affiche la version actuelle du micrologiciel                 |
|                      | <b>IP Address</b>        | <b>_. _ . _ . _ . _ . _ . _ . _ .</b>         | Affiche l'adresse IP   |
|                      | <b>Fixture Hours</b>     | <b>_ hours</b>                                | Affiche le temps pendant lequel l'appareil est resté allumé  |
|                      | <b>Label</b>             | <b>_ _ _ _ _ _ _ _ _ _</b>                    | Affiche l'étiquette du produit                               |
|                      | <b>Device UID</b>        | <b>_ _ _ _ _ - _ _ _ _ _</b>                  | Affiche l'UID de l'appareil                                  |
|                      | <b>MAC Address</b>       | <b>_ _ _ _ _ _ _ _ _ _</b>                    | Affiche l'adresse MAC actuelle                               |
| <b>Factory Reset</b> | <b>No</b>                |   | Réinitialise les paramètres d'usine par défaut               |
|                      | <b>Yes</b>               |   |  |

**Graphique RDM**

Reportez-vous à la page produit LQGIC Cove M sur [www.iluminarc.com](http://www.iluminarc.com) pour le dernier tableau RDM.

| GET | SET | Catégorie           | ID de paramètre RDM<br>(emplacement 21-22) | Valeur | Obligatoire | Détail  |
|-----|-----|---------------------|--|--------|-------------|---|
|     |     | Network Management  | DISC_UNIQUE_BRANCH                         | 0x0001 | ✓           |   |
|     |     |                     | DISC_MUTE                                  | 0x0002 | ✓           |   |
|     |     |                     | DISC_UN_MUTE                               | 0x0003 | ✓           |   |
| ✓   |     | RDM Information     | QUEUED_MESSAGE                             | 0x0020 |             |   |
| ✓   |     |                     | SUPPORTED_PARAMETERS                       | 0x0050 | ✓           | IDENTIFY_DEVICE, DEVICE_INFO, SOFTWARE_VERSION_LABEL, SUPPORTED_PARAMETERS, DMX_START_ADDRESS, DEVICE_MODEL_DESCRIPTION, MANUFACTURER_LABEL, DEVICE_LABEL, DMX_PERSONALITY, PERSONALITY_DESCRIPTION, SENSOR_DEFINITION, SENSOR_VALUE                      |
| ✓   |     |                     | PARAMETER_DESCRIPTION                      | 0x0051 | ✓           |   |
| ✓   |     | Product Information | DEVICE_INFO                                | 0x0060 | ✓           | 1, RDM Protocol Version: V1.0;<br>2, Device_Mode_ID: 0x1822;<br>3, Product Category Defines: PRODUCT_CATEGORY_FIXTURE_FIXED;<br>4, Software Version ID;<br>5, DMX512 Footprint;<br>6, DMX512 Personality;<br>7, DMX512 Start Address;<br>8, Sensor Count; |
|     |     |                     | PRODUCT_DETAIL_ID_LIST                     | 0x0070 |             |   |
| ✓   |     |                     | DEVICE_MODEL_DESCRIPTION                   | 0x0080 |             | LOGICCVM  |
| ✓   |     |                     | MANUFACTURER_LABEL                         | 0x0081 |             | ILUMINARC   |
| ✓   | ✓   |                     | DEVICE_LABEL                               | 0x0082 |             | LOGICCVM  |
| ✓   |     |                     | SOFTWARE_VERSION_LABEL                     | 0x00C0 | ✓           | V_._  |
| ✓   | ✓   |                     | FACTORY_DEFAULTS                           |        |             | FACTORY_DEFAULTS : yes  |
| ✓   | ✓   | DMX Setup           | DMX_PERSONALITY                            | 0x00E0 |             | 9pcs persons  |
| ✓   |     |                     | DMX_PERSONALITY_DESCRIPTION                | 0x00E1 |             | RED/1CH, GREEN/1CH, BLUE/1CH, WHITE/1CH, TW/2CH, RGB/3CH, RGBW/4CH, RGBW+D/5CH, FULL/10CH   |
| ✓   | ✓   |                     | DMX_START_ADDRESS                          | 0x00F0 | ✓           | 1-503   |
| ✓   |     | Sensors             | SENSOR_DEFINITION                          | 0x0200 |             | 0.) Product Temperature __ °C   |
| ✓   |     |                     | SENSOR_VALUE                               | 0x0201 |             | —20° —100°  |
| ✓   | ✓   | Control             | IDENTIFY_DEVICE                            | 0x1000 | ✓           | Identify State: Off   |

**Valeurs DMX**

**FULL (10 canaux)**

| Canal     | Fonction                       | Valeur    | Pourcentage/Paramétrage                         |
|-----------|--------------------------------|-----------|---|
| 1         | <b>Gradateur</b>               | 000 ⇔ 255 | 0–100%  |
| 2         | <b>Rouge</b>                   | 000 ⇔ 255 | 0–100%  |
| 3         | <b>Vert</b>                    | 000 ⇔ 255 | 0–100%  |
| 4         | <b>Bleu</b>                    | 000 ⇔ 255 | 0–100%  |
| 5         | <b>Blanc</b>                   | 000 ⇔ 255 | 0–100%  |
| 6         | <b>Température de couleur</b>  | 000 ⇔ 010 | Pas de fonction                                 |
|           |                                | 011 ⇔ 020 | 1800K   |
|           |                                | 021 ⇔ 030 | 2200K   |
|           |                                | 031 ⇔ 040 | 2700K   |
|           |                                | 041 ⇔ 050 | 3000K   |
|           |                                | 051 ⇔ 060 | 3200K   |
|           |                                | 061 ⇔ 070 | 4000K   |
|           |                                | 071 ⇔ 080 | 4500K   |
|           |                                | 081 ⇔ 090 | 5000K   |
|           |                                | 091 ⇔ 100 | 5600K   |
|           |                                | 101 ⇔ 110 | 6000K   |
|           |                                | 111 ⇔ 120 | 6500K   |
|           |                                | 121 ⇔ 130 | 7000K   |
|           |                                | 131 ⇔ 140 | 8000K   |
|           |                                | 141 ⇔ 150 | 10000K  |
| 151 ⇔ 255 | Pas de fonction                |           |   |
| 7         | <b>Stroboscope</b>             | 000 ⇔ 009 | Pas de fonction                                 |
|           |                                | 010 ⇔ 099 | Stroboscope, 0–25 Hz                            |
|           |                                | 100 ⇔ 109 | Pas de fonction                                 |
|           |                                | 110 ⇔ 179 | Stroboscope de foudre, lent à rapide            |
|           |                                | 180 ⇔ 189 | Pas de fonction                                 |
|           |                                | 190 ⇔ 255 | Stroboscope aléatoire, lent à rapide            |
| 8         | <b>Programmes automatiques</b> | 000 ⇔ 040 | Pas de fonction                                 |
|           |                                | 041 ⇔ 050 | Programme automatique 1                         |
|           |                                | 051 ⇔ 060 | Programme automatique 2                         |
|           |                                | 061 ⇔ 070 | Programme automatique 3                         |
|           |                                | 071 ⇔ 080 | Programme automatique 4                         |
|           |                                | 081 ⇔ 090 | Programme automatique 5                         |
|           |                                | 091 ⇔ 100 | Programme automatique 6                         |
|           |                                | 101 ⇔ 110 | Programme automatique 7                         |
|           |                                | 111 ⇔ 120 | Programme automatique 8                         |
|           |                                | 121 ⇔ 130 | Programme automatique 9                         |
|           |                                | 131 ⇔ 140 | Programme automatique 10                        |
| 141 ⇔ 255 | Pas de fonction                |           |   |
| 9         | <b>Vitesse du programme</b>    | 000 ⇔ 255 | Vitesse du programme automatique, lent à rapide |
| 10        | <b>Vitesse du gradateur</b>    | 000 ⇔ 009 | Pas de fonction                                 |
|           |                                | 010 ⇔ 129 | Active la courbe de gradateur                   |
|           |                                | 130 ⇔ 255 | Désactive la courbe de gradateur                |

**RGBW+D** (5 canaux)

| Canal | Fonction  | Valeur    | Pourcentage/Paramétrage |
|-------|-----------|-----------|-------------------------|
| 1     | Gradateur | 000 ⇔ 255 | 0–100%                  |
| 2     | Rouge     | 000 ⇔ 255 | 0–100%                  |
| 3     | Vert      | 000 ⇔ 255 | 0–100%                  |
| 4     | Bleu      | 000 ⇔ 255 | 0–100%                  |
| 5     | Blanc     | 000 ⇔ 255 | 0–100%                  |

**RGBW** (4 canaux)

| Canal | Fonction | Valeur    | Pourcentage/Paramétrage |
|-------|----------|-----------|-------------------------|
| 1     | Rouge    | 000 ⇔ 255 | 0–100%                  |
| 2     | Vert     | 000 ⇔ 255 | 0–100%                  |
| 3     | Bleu     | 000 ⇔ 255 | 0–100%                  |
| 4     | Blanc    | 000 ⇔ 255 | 0–100%                  |

**RGB** (3 canaux)

| Canal | Fonction | Valeur    | Pourcentage/Paramétrage |
|-------|----------|-----------|-------------------------|
| 1     | Rouge    | 000 ⇔ 255 | 0–100%                  |
| 2     | Vert     | 000 ⇔ 255 | 0–100%                  |
| 3     | Bleu     | 000 ⇔ 255 | 0–100%                  |

**TW** (Blanc réglable : 2 canaux)

| Canal | Fonction               | Valeur    | Pourcentage/Paramétrage |
|-------|------------------------|-----------|-------------------------|
| 1     | Gradateur              | 000 ⇔ 255 | 0–100%                  |
| 2     | Température de couleur | 000 ⇔ 010 | Pas de fonction         |
|       |                        | 011 ⇔ 020 | 1800K                   |
|       |                        | 021 ⇔ 030 | 2200K                   |
|       |                        | 031 ⇔ 040 | 2700K                   |
|       |                        | 041 ⇔ 050 | 3000K                   |
|       |                        | 051 ⇔ 060 | 3200K                   |
|       |                        | 061 ⇔ 070 | 4000K                   |
|       |                        | 071 ⇔ 080 | 4500K                   |
|       |                        | 081 ⇔ 090 | 5000K                   |
|       |                        | 091 ⇔ 100 | 5600K                   |
|       |                        | 101 ⇔ 110 | 6000K                   |
|       |                        | 111 ⇔ 120 | 6500K                   |
|       |                        | 121 ⇔ 130 | 7000K                   |
|       |                        | 131 ⇔ 140 | 8000K                   |
|       |                        | 141 ⇔ 150 | 10000K                  |
|       |                        | 151 ⇔ 255 | Pas de fonction         |

**WHITE** (Blanc, 1 canal)

| Canal | Fonction  | Valeur    | Pourcentage/Paramétrage |
|-------|-----------|-----------|-------------------------|
| 1     | Gradateur | 000 ⇔ 255 | Blanc seulement, 0–100% |

**BLUE** (Bleu, 1 canal)

| Canal | Fonction  | Valeur    | Pourcentage/Paramétrage |
|-------|-----------|-----------|-------------------------|
| 1     | Gradateur | 000 ⇔ 255 | Bleu seulement, 0–100%  |

**GREEN** (Vert, 1 canal)

| Canal | Fonction  | Valeur    | Pourcentage/Paramétrage |
|-------|-----------|-----------|-------------------------|
| 1     | Gradateur | 000 ⇔ 255 | Vert seulement, 0–100%  |

**RED** (Rouge, 1 canal)

| Canal | Fonction  | Valeur    | Pourcentage/Paramétrage |
|-------|-----------|-----------|-------------------------|
| 1     | Gradateur | 000 ⇔ 255 | Rouge seulement, 0–100% |

**Spécificités Techniques**

**Dimensions et Poids**

| Longueur          | Largeur         | Hauteur         | Poids           |
|-------------------|-----------------|-----------------|-----------------|
| 599 mm (23,58 po) | 31 mm (1,22 po) | 46 mm (1,81 po) | 0,3 kg (0,6 lb) |

**Remarque:** Les dimensions en pouce sont arrondies.

**Alimentation**

| Source d'alimentation                      | Tension d'entrée | Sélection de tension |
|--|------------------|----------------------|
| Alimentation électrique par câble Ethernet | 52-56 V CC       | Fixe                 |

| Alimentation un seul appareil | Puissance totale de connexion par port | Chaînage électrique                  |
|-------------------------------|--|--------------------------------------|
| 15 W via POE                  | 75 W via POE                           | 5 produits par port/injecteur de POE |

| E/S alimentation                    | US/Monde      | UK/Europe     |
|-------------------------------------|---------------|---------------|
| Connecteur d'entrée d'alimentation  | Ethernet RJ45 | Ethernet RJ45 |
| Connecteur de sortie d'alimentation | Ethernet RJ45 | Ethernet RJ45 |
| Type de câble (obligatoire)         | CAT6          | CAT6          |

**Source lumineuse**

| Type | Couleur | Quantité | Alimentation | Courant | Durée de vie  |
|------|---------|----------|--------------|---------|---------------|
| LED  | RGBW    | 18       | 2,5 W        | 870 mA  | 50 000 heures |

**Photométrie**

| Filtre                          | Angle de faisceau | Angle de champ  | Angle de coupure | Éclairage @ 5 m |
|---------------------------------|-------------------|-----------------|------------------|-----------------|
| Optique ouverte                 | 119,9° x 122,2°   | 164,4° x 165,2° | 178,4°           | 9 lux           |
| « Very Wide »<br>(pre installé) | 142,1° x 135,6°   | 251° x 167°     | 334,2°           | 4 lux           |

**Câblage**

| Longueur totale maximale de câble<br>(Appareil à appareil) | Plage de diamètre de câble<br>Moins de 15 m (50 ft) | Plage de diamètre de câble<br>15-100 m (50-328 ft) |
|--|---|--|
| 100 m (328 pi)   | 23-28 AWG (blindé ou non blindé))                   | 23 AWG (blindé)                                    |

**Thermal**

| Plage de température ambiante   | Système de Refroidissement |
|---------------------------------|----------------------------|
| -20 °C à 45 °C (-4 °F à 113 °F) | Convection                 |

**Commande**

| Description de l'Appareil | Nom de l'Appareil | Code de l'Article | Code UPC     |
|---------------------------|-------------------|-------------------|--------------|
| LQGIC Cove M              | LOGICVM           | 1541822           | 781462221706 |

## Über diese Schnellanleitung

In der Schnellanleitung des LQGIC Cove M finden Sie die wesentlichen Produktinformationen, wie etwa über die Montage, Menüoptionen und DMX-Werte des Geräts. Laden Sie für weiterführende Informationen unter [www.iluminarc.com](http://www.iluminarc.com) das Benutzerhandbuch für das LQGIC Drive 2X herunter.

### Haftungsausschluss

Die in dieser Anleitung aufgeführten Informationen und Spezifikationen können ohne vorherige Ankündigung geändert werden.

### EINGESCHRÄNKTE GARANTIE

**ZUR REGISTRIERUNG FÜR GARANTIEANSPRÜCHE UND ZUR EINSICHT IN DIE VOLLSTÄNDIGEN GESCHÄFTSBEDINGUNGEN BESUCHEN SIE BITTE UNSERE WEBSITE.**

Für Kunden in den USA und in Mexiko: [www.iluminarc.com/warranty-registration-architectural-lighting](http://www.iluminarc.com/warranty-registration-architectural-lighting).

Für Kunden im Vereinigten Königreich, in Irland, Belgien, den Niederlanden, Luxemburg, Frankreich und Deutschland: [www.iluminarc.com/warranty-registration-architectural-lighting](http://www.iluminarc.com/warranty-registration-architectural-lighting).

Chauvet garantiert für die in der auf unserer Website veröffentlichten vollständigen eingeschränkten Garantie genannten Dauer und unter Vorbehalt der darin genannten Haftungsausschlüsse und -beschränkungen, dass dieses Produkt bei normalen Gebrauch frei von Material- und Verarbeitungsfehlern ist. Diese Garantie erstreckt sich nur auf den Erstkäufer des Produkts und ist nicht übertragbar. Zur Ausübung der unter dieser Garantie gewährten Rechte ist der Kaufbeleg in Form der Originalrechnung von einem autorisierten Händler vorzulegen, in der die Produktbezeichnung und das Kaufdatum vermerkt sein müssen. ES BESTEHEN KEINE WEITEREN AUSDRÜCKLICHEN ODER STILLSCHWEIGENDEN GARANTIEN. Diese Garantie gibt Ihnen besondere gesetzliche Rechte. Und Sie haben möglicherweise weitere Rechte, die von Land zu Land unterschiedlich sein können. Diese Garantie ist nur in den USA, im Vereinigten Königreich, in Irland, Belgien, den Niederlanden, Luxemburg, Frankreich, Deutschland und Mexiko gültig. Bezüglich der Garantiebestimmungen in anderen Ländern wenden Sie sich bitte an Ihren lokalen Händler.

### Sicherheitshinweise

- Die Leuchte sollte so positioniert werden, dass ein langes starres Schauen in die Leuchte in einem Abstand von weniger als 3,3 Fuß (1 m) nicht zu erwarten ist.
- Ist das externe flexible Kabel dieser Leuchte beschädigt, muss es durch ein gleichwertiges Kabel oder ein ausschließlich vom Hersteller oder dessen Vertriebspartner erhältliches Kabel ersetzt werden.
- Das in dieser Leuchte enthaltene Leuchtmittel darf nur vom Hersteller oder dessen Vertriebspartner oder einer ähnlich qualifizierten Person ausgetauscht werden.
- Die Leuchte ist ausschließlich für den professionellen Einsatz bestimmt.
- Dieses Gerät NICHT öffnen. Die eingebauten Komponenten sind für den Kunden wartungsfrei.
- NIEMALS in die Lichtquelle schauen, während das Gerät eingeschaltet ist.
- VORSICHT: Das Gehäuse dieses Produkts kann während des Betriebs heiß werden. Installieren Sie das Gerät an einem Ort mit ausreichender Belüftung und mit einem Abstand von mindestens 50 cm zu den angrenzenden Flächen.
- Belassen Sie KEINE entflammaren Materialien in einem Umkreis von 50 cm dieses Geräts, während es in Betrieb oder an der Stromversorgung angeschlossen ist.
- VORSICHT: Beim Transport des Geräts von einer Umgebung mit außergewöhnlichen Temperaturen in eine andere solche Umgebung (z. B. aus einem kalten Transporter in einen warm-feuchten Ballsaal) kann an der im Gerät enthaltenen Elektronik Wasser kondensieren. Um einen Defekt zu vermeiden, muss sich das Gerät erst in der neuen Umgebung akklimatisiert haben, bevor es an die Stromversorgung angeschlossen werden kann.
- VERWENDEN Sie bei Montage über Kopf immer ein Sicherheitsseil.
- Nehmen sie das Gerät NICHT im Freien oder an einem Ort in Betrieb, der durch Staubentwicklung, übermäßige Hitze, Wasser oder hohe Luftfeuchtigkeit charakterisiert ist. (IP20)
- NIEMALS das Gerät in Betrieb nehmen, wenn Ihnen das Gehäuse, die Linsen oder das Kabel beschädigt erscheinen.
- Schließen Sie dieses Gerät NICHT an einen Dimmer oder Regelwiderstand an.
- Schließen Sie NUR dieses Produkt an die IEEE 802.3bt PoE-Stromquelle (PSE – Power Source Equipment) an.
- Bei ernsthaften Betriebsproblemen stoppen Sie umgehend die Verwendung des Geräts.
- Die maximal zulässige Umgebungstemperatur beträgt 45 °C. Nehmen Sie das Gerät nicht bei höheren Temperaturen in Betrieb.
- Die zulässige Mindesttemperatur für den Start beträgt -20 °C. Starten Sie das Gerät nicht bei niedrigeren Temperaturen.
- Die minimal zulässige Umgebungstemperatur beträgt -30 °C. Nehmen Sie das Gerät nicht bei niedrigeren Temperaturen in Betrieb.

**FCC-Konformität**

Dieses Gerät erfüllt Teil 15, Teil B, der FCC-Bestimmungen. Der Betrieb ist an folgende zwei Bedingungen geknüpft:

1. Dieses Gerät darf keine schädlichen Interferenzen verursachen, und
2. Dieses Gerät muss empfangende Interferenzen aufnehmen können, auch Interferenzen, die eventuell einen unerwünschten Betrieb verursachen.

Jegliche Änderungen oder Modifikationen, die nicht ausdrücklich von der Partei genehmigt wurden, die für die Compliance zuständig ist, könnten die Berechtigung des Benutzers zum Betrieb dieses Geräts aufheben.

**Kontakt**

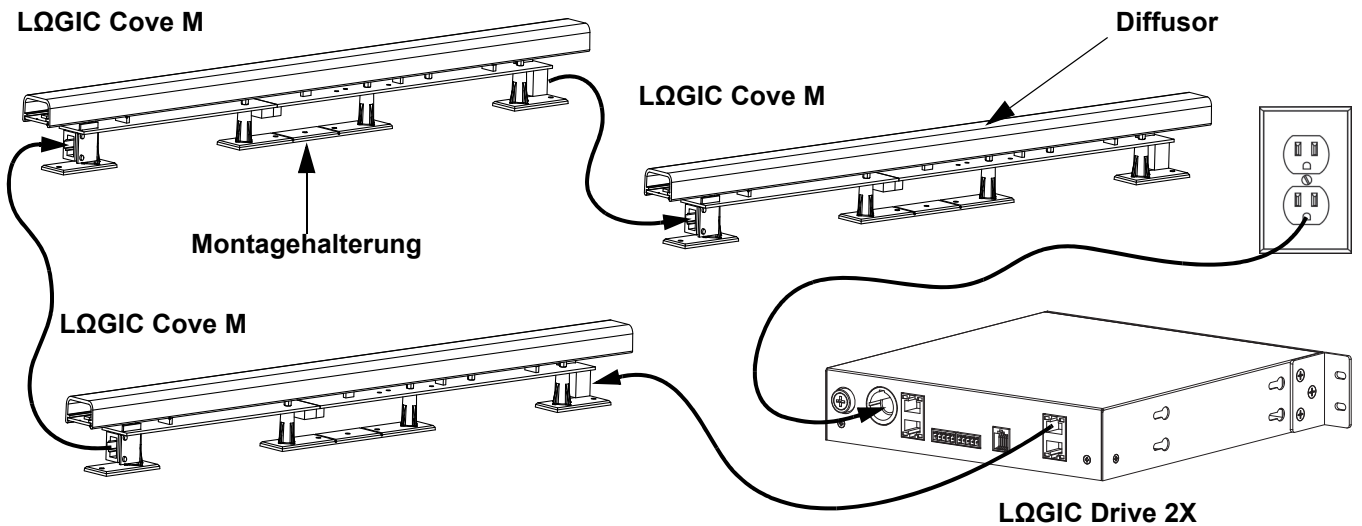
Kunden außerhalb der USA, GB, Irland, Benelux, Frankreich, Deutschland oder Mexiko wenden sich an ihren Lieferanten, um den Kundensupport in Anspruch zu nehmen oder ein Produkt zurückzuschicken. Kontaktinformationen finden Sie im [Contact Us](#) am Ende dieses QRG.

**Packungsinhalt**

- LQGIC Cove M
- Seetronic Powerkon IP65 Netzkabel
- Gel-Rahmen
- Schnellanleitung

**Produktübersicht**

Der LQGIC Cove M ist ein LED-Gerät, das für den Einsatz in kleinen Nischen oder Buchten entwickelt wurde. Als sicheres Niederspannungsgerät unterstützt es eine vollständige RGBW-Farbmischung. Jeder LQGIC Cove M wird mit einem Diffusor und Befestigungsbügeln aus Kunststoff geliefert.



Es ist nicht empfehlenswert, den LQGIC Cove M ohne den beiliegenden Diffusor zu verwenden.

## Gleichstrom

Dieses Produkt wird vom LQGIC Drive 2X über eine CAT6-Verbindung mit 52 VDC versorgt. Laden Sie für weiterführende Informationen zum LQGIC Drive 2X unter [www.iluminarc.com](http://www.iluminarc.com) das Benutzerhandbuch herunter.

## Serienschaltung der Geräte

An einem Ausgang des LQGIC Drive 2X bis zu 5 LQGIC Cove M-Produkte anschließen.

## Signalverknüpfung

Der LQGIC Cove M erhält ein Steuersignal (DMX, RDM, Art-Net™ oder sACN) vom LQGIC Drive 2X über eine CAT6-Verbindung.

## Zusammenschluss und Verkabelung

Der LQGIC Cove M verwendet das Standardkabel CAT6 (keine Crossover-Verkabelung) und den IEEE 802.3bt POE Stromversorgungsstandard.

Bei kurzen Kabeln kann ein kleinerer Querschnitt verwendet werden, aber jedes Kabel mit einer Länge von mehr als 15 m muss 23 AWG und abgeschirmt sein, da die Produkte andernfalls nicht ausreichend mit Strom versorgt werden.

Kabelanforderungen: Max./min. Querschnitt 23/28 AWG CAT6 4, verdrehte Aderpaare

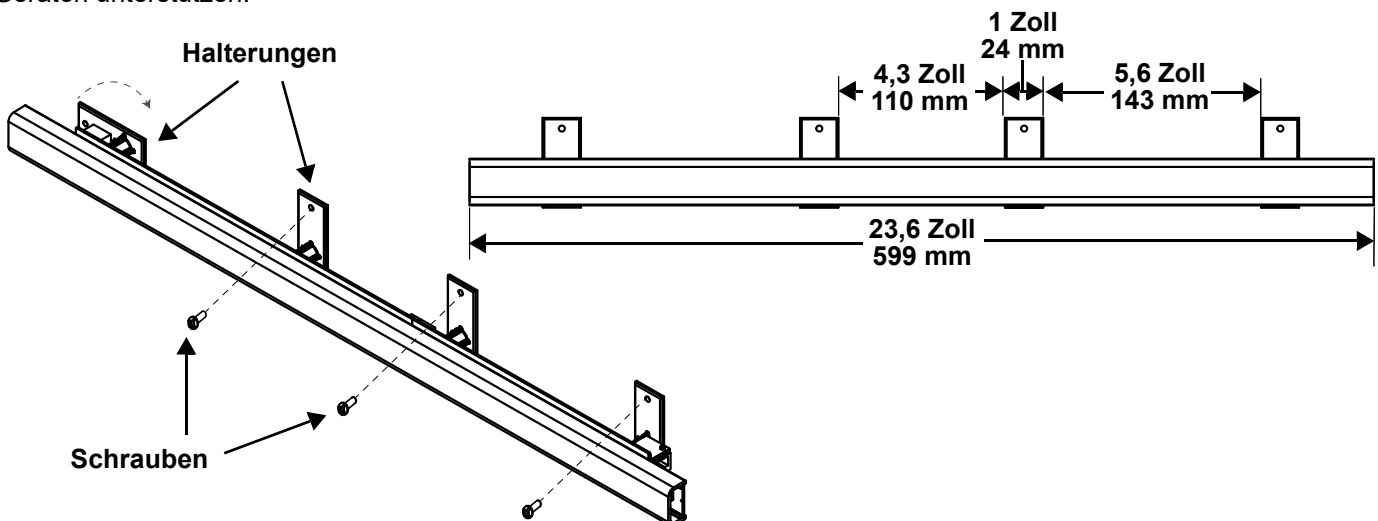
- Bei Entfernungen von weniger als 15 m: 23-28 AWG (abgeschirmt oder nicht abgeschirmt)
- Bei Entfernungen von 15 bis 100 m: 23 AWG (abgeschirmt)



Ein Beispiel eines kurzen Kabels mit einem geringeren Querschnitt, das mit dem LQGIC Cove M erwiesenermaßen gut funktioniert, ist das Monoprice Slimrun CAT6 Ethernet-Patchkabel, verseilt, 550 MHz, UTP, Blankdraht aus reinem Kupfer, 28 AWG.

## Montage

Jeder LQGIC Cove M wird mit festen Befestigungsbügeln geliefert, die eine vorkonfigurierte LED-Ausrichtung zwischen Geräten unterstützen.



- Drehen Sie die Bügel aus Kunststoff horizontal auf ihrer Achse, bevor Sie diese mit Bolzen oder Schrauben sichern.
- Stellen Sie bei der Installation mehrerer LQGIC Cove M-Geräte sicher, dass zwischen ihnen ausreichend Platz ist (die Geräteabmessungen entnehmen Sie der Zeichnung).

**Menükarte**

Über das Menü für **Linked Fixtures** des LQGIC Drive 2X können Sie auf das Menü des LQGIC Cove M zugreifen. Die neueste Menükarte finden Sie auf der LQGIC Cove M- und LQGIC Drive 2X-Produktseite unter [www.iluminarc.com](http://www.iluminarc.com).

| Hauptebene           | Programmirebenen        |   | Beschreibung  |
|----------------------|-------------------------|---|---|
| <b>Dmx Address</b>   | <b>001–512</b>          |   | Stellt die DMX-Adresse ein                              |
| <b>Personality</b>   | <b>RED</b>              |   | 1 Kanal: Dimmer (nur rot)                               |
|                      | <b>GREEN</b>            |   | 1 Kanal: Dimmer (nur grün)                              |
|                      | <b>BLUE</b>             |   | 1 Kanal: Dimmer (nur blau)                              |
|                      | <b>WHITE</b>            |   | 1 Kanal: Dimmer (nur weiß)                              |
|                      | <b>TW</b>               |   | 2 Kanäle, Regelbar weiß: Dimmer, Farbtemperatur         |
|                      | <b>RGB</b>              |   | 3 Kanäle: RGB-Steuerung                                 |
|                      | <b>RGBW</b>             |   | 4 Kanäle: RGBW-Steuerung                                |
|                      | <b>RGBW+D</b>           |   | 5 Kanäle: Dimmer, RGBW-Steuerung                        |
| <b>Network</b>       | <b>Net Switch</b>       | <b>2.X.X.X</b>                                | Damit wählen Sie den ersten Wert der IP-Adresse aus     |
|                      |                         | <b>10.X.X.X</b>                               |   |
|                      | <b>Universe</b>         | <b>000–255 / 001–256</b><br>(Art-Net™) (sACN) | Damit wählen Sie das Universum aus                      |
| <b>Local Info</b>    | <b>Version</b>          | <b>V _._</b>                                  | Zeigt die Firmware-Version an                           |
|                      | <b>IP Address</b>       | <b>_. _ . _ . _ . _ . _ . _ . _ .</b>         | Zeigt die aktuelle IP-Adresse an                        |
|                      | <b>Fixture Hours</b>    | <b>_ hours</b>                                | Zeigt an, wie lange das Gerät eingeschaltet gewesen ist |
|                      | <b>Label</b>            | <b>_ _ _ _ _ _ _ _ _ _</b>                    | Zeigt das Produktetikett an                             |
|                      | <b>Device UID</b>       | <b>_ _ _ _ _ - _ _ _ _ _</b>                  | Zeigt die Geräte-UID an                                 |
|                      | <b>MAC Address</b>      | <b>_ _ _ _ _ . _ _ _ _ _ . _ _ _ _ _</b>      | Zeigt die aktuelle MAC-Adresse an                       |
|                      | <b>Temperature</b>      | <b>_ . _ . °C</b>                             | Zeigt die aktuelle Temperatur in °C an                  |
| <b>Factory Reset</b> | <b>No</b><br><b>Yes</b> |   | Damit setzen auf die Werkseinstellungen zurück          |

**RDM Chart**

Auf der Produktseite des LOGIC Cove M, unter [www.iluminarc.com](http://www.iluminarc.com), finden Sie die aktuelle RDM-Tabelle.

| GET | SET | Kategorie           | RDM-Parameter-IDs<br>(Steckplatz 21-22) | Wert   | Benötigte | Detail  |
|-----|-----|---------------------|---|--------|-----------|---|
|     |     | Network Management  | DISC_UNIQUE_BRANCH                      | 0x0001 | ✓         |   |
|     |     |                     | DISC_MUTE                               | 0x0002 | ✓         |   |
|     |     |                     | DISC_UN_MUTE                            | 0x0003 | ✓         |   |
| ✓   |     | RDM Information     | QUEUED_MESSAGE                          | 0x0020 |           |   |
| ✓   |     |                     | SUPPORTED_PARAMETERS                    | 0x0050 | ✓         | IDENTIFY_DEVICE, DEVICE_INFO, SOFTWARE_VERSION_LABEL, SUPPORTED_PARAMETERS, DMX_START_ADDRESS, DEVICE_MODEL_DESCRIPTION, MANUFACTURER_LABEL, DEVICE_LABEL, DMX_PERSONALITY, PERSONALITY_DESCRIPTION, SENSOR_DEFINITION, SENSOR_VALUE                      |
| ✓   |     |                     | PARAMETER_DESCRIPTION                   | 0x0051 | ✓         |   |
| ✓   |     | Product Information | DEVICE_INFO                             | 0x0060 | ✓         | 1, RDM Protocol Version: V1.0;<br>2, Device_Mode_ID: 0x1822;<br>3, Product Category Defines: PRODUCT_CATEGORY_FIXTURE_FIXED;<br>4, Software Version ID;<br>5, DMX512 Footprint;<br>6, DMX512 Personality;<br>7, DMX512 Start Address;<br>8, Sensor Count; |
|     |     |                     | PRODUCT_DETAIL_ID_LIST                  | 0x0070 |           |   |
| ✓   |     |                     | DEVICE_MODEL_DESCRIPTION                | 0x0080 |           | LOGICCVM  |
| ✓   |     |                     | MANUFACTURER_LABEL                      | 0x0081 |           | ILUMINARC   |
| ✓   | ✓   |                     | DEVICE_LABEL                            | 0x0082 |           | LOGICCVM  |
| ✓   |     |                     | SOFTWARE_VERSION_LABEL                  | 0x00C0 | ✓         | V_._  |
| ✓   | ✓   |                     | FACTORY_DEFAULTS                        |        |           | FACTORY_DEFAULTS : yes  |
| ✓   | ✓   |                     | DMX_PERSONALITY                         | 0x00E0 |           | 9pcs persons  |
| ✓   |     | DMX Setup           | DMX_PERSONALITY_DESCRIPTION             | 0x00E1 |           | RED/1CH, GREEN/1CH, BLUE/1CH, WHITE/1CH, TW/2CH, RGB/3CH, RGBW/4CH, RGBW+D/5CH, FULL/10CH   |
| ✓   | ✓   |                     | DMX_START_ADDRESS                       | 0x00F0 | ✓         | 1-503   |
| ✓   |     | Sensors             | SENSOR_DEFINITION                       | 0x0200 |           | 0.) Product Temperature __ °C   |
| ✓   |     |                     | SENSOR_VALUE                            | 0x0201 |           | —20° —100°  |
| ✓   | ✓   | Control             | IDENTIFY_DEVICE                         | 0x1000 | ✓         | Identify State: Off   |

**DMX-Werte**

**FULL (10 Kanäle)**

| Kanal     | Funktion                | Wert      | Prozent/Einstellung  |
|-----------|-------------------------|-----------|--|
| 1         | Dimmer                  | 000 ⇔ 255 | 0–100%   |
| 2         | Rot                     | 000 ⇔ 255 | 0–100%   |
| 3         | Grün                    | 000 ⇔ 255 | 0–100%   |
| 4         | Blau                    | 000 ⇔ 255 | 0–100%   |
| 5         | Weiß                    | 000 ⇔ 255 | 0–100%   |
| 6         | Farbtemperatur          | 000 ⇔ 010 | Keine Funktion   |
|           |                         | 011 ⇔ 020 | 1800K  |
|           |                         | 021 ⇔ 030 | 2200K  |
|           |                         | 031 ⇔ 040 | 2700K  |
|           |                         | 041 ⇔ 050 | 3000K  |
|           |                         | 051 ⇔ 060 | 3200K  |
|           |                         | 061 ⇔ 070 | 4000K  |
|           |                         | 071 ⇔ 080 | 4500K  |
|           |                         | 081 ⇔ 090 | 5000K  |
|           |                         | 091 ⇔ 100 | 5600K  |
|           |                         | 101 ⇔ 110 | 6000K  |
|           |                         | 111 ⇔ 120 | 6500K  |
|           |                         | 121 ⇔ 130 | 7000K  |
|           |                         | 131 ⇔ 140 | 8000K  |
|           |                         | 141 ⇔ 150 | 10000K   |
| 151 ⇔ 255 | Keine Funktion          |           |  |
| 7         | Stroboskop              | 000 ⇔ 009 | Keine Funktion   |
|           |                         | 010 ⇔ 099 | Stroboskop, 0–25 Hz  |
|           |                         | 100 ⇔ 109 | Keine Funktion   |
|           |                         | 110 ⇔ 179 | Blitze-Stroboskop, langsam nach schnell                    |
|           |                         | 180 ⇔ 189 | Keine Funktion   |
|           |                         | 190 ⇔ 255 | Zufalls-Strobe, langsam nach schnell                       |
| 8         | Automatischen Programme | 000 ⇔ 040 | Keine Funktion   |
|           |                         | 041 ⇔ 050 | Automatische Programm 1                                    |
|           |                         | 051 ⇔ 060 | Automatische Programm 2                                    |
|           |                         | 061 ⇔ 070 | Automatische Programm 3                                    |
|           |                         | 071 ⇔ 080 | Automatische Programm 4                                    |
|           |                         | 081 ⇔ 090 | Automatische Programm 5                                    |
|           |                         | 091 ⇔ 100 | Automatische Programm 6                                    |
|           |                         | 101 ⇔ 110 | Automatische Programm 7                                    |
|           |                         | 111 ⇔ 120 | Automatische Programm 8                                    |
|           |                         | 121 ⇔ 130 | Automatische Programm 9                                    |
|           |                         | 131 ⇔ 140 | Automatische Programm 10                                   |
| 141 ⇔ 255 | Keine Funktion          |           |  |
| 9         | Programmgeschwindigkeit | 000 ⇔ 255 | Automatische Programmgeschwindigkeit, langsam nach schnell |
| 10        | Dimmergeschwindigkeit   | 000 ⇔ 009 | Keine Funktion   |
|           |                         | 010 ⇔ 129 | Aktiviert die Dimmerkurve                                  |
|           |                         | 130 ⇔ 255 | Deaktiviert die Dimmerkurve                                |

**RGBW+D (5 Kanäle)**

| Kanal | Funktion | Wert      | Prozent/Einstellung |
|-------|----------|-----------|---------------------|
| 1     | Dimmer   | 000 ⇔ 255 | 0–100%              |
| 2     | Rot      | 000 ⇔ 255 | 0–100%              |
| 3     | Grün     | 000 ⇔ 255 | 0–100%              |
| 4     | Blau     | 000 ⇔ 255 | 0–100%              |
| 5     | Weiß     | 000 ⇔ 255 | 0–100%              |

**RGBW (4 Kanäle)**

| Kanal | Funktion | Wert      | Prozent/Einstellung |
|-------|----------|-----------|---------------------|
| 1     | Rot      | 000 ⇔ 255 | 0–100%              |
| 2     | Grün     | 000 ⇔ 255 | 0–100%              |
| 3     | Blau     | 000 ⇔ 255 | 0–100%              |
| 4     | Weiß     | 000 ⇔ 255 | 0–100%              |

**RGB (3 Kanäle)**

| Kanal | Funktion | Wert      | Prozent/Einstellung |
|-------|----------|-----------|---------------------|
| 1     | Rot      | 000 ⇔ 255 | 0–100%              |
| 2     | Grün     | 000 ⇔ 255 | 0–100%              |
| 3     | Blau     | 000 ⇔ 255 | 0–100%              |

**TW (Regelbar weiß: 2 Kanäle)**

| Kanal     | Funktion       | Wert      | Prozent/Einstellung |
|-----------|----------------|-----------|---------------------|
| 1         | Dimmer         | 000 ⇔ 255 | 0–100%              |
| 2         | Farbtemperatur | 000 ⇔ 010 | Keine Funktion      |
|           |                | 011 ⇔ 020 | 1800K               |
|           |                | 021 ⇔ 030 | 2200K               |
|           |                | 031 ⇔ 040 | 2700K               |
|           |                | 041 ⇔ 050 | 3000K               |
|           |                | 051 ⇔ 060 | 3200K               |
|           |                | 061 ⇔ 070 | 4000K               |
|           |                | 071 ⇔ 080 | 4500K               |
|           |                | 081 ⇔ 090 | 5000K               |
|           |                | 091 ⇔ 100 | 5600K               |
|           |                | 101 ⇔ 110 | 6000K               |
|           |                | 111 ⇔ 120 | 6500K               |
|           |                | 121 ⇔ 130 | 7000K               |
|           |                | 131 ⇔ 140 | 8000K               |
|           |                | 141 ⇔ 150 | 10000K              |
| 151 ⇔ 255 | Keine Funktion |           |                     |

**WHITE (Weiß, 1 Kanal)**

| Kanal | Funktion | Wert      | Prozent/Einstellung |
|-------|----------|-----------|---------------------|
| 1     | Dimmer   | 000 ⇔ 255 | Nur weiß, 0–100%    |

**BLUE (Blau, 1 Kanal)**

| Kanal | Funktion | Wert      | Prozent/Einstellung |
|-------|----------|-----------|---------------------|
| 1     | Dimmer   | 000 ⇔ 255 | Nur blau, 0–100%    |

**GREEN (Grün, 1 Kanal)**

| Kanal | Funktion | Wert      | Prozent/Einstellung |
|-------|----------|-----------|---------------------|
| 1     | Dimmer   | 000 ⇔ 255 | Nur grün, 0–100%    |

**RED (Rot, 1 Kanal)**

| Kanal | Funktion      | Wert      | Prozent/Einstellung |
|-------|---------------|-----------|---------------------|
| 1     | <b>Dimmer</b> | 000 ⇔ 255 | Nur rot, 0–100%     |

**Technische Daten**

**Abmessungen und Gewicht**

| Länge               | Breite            | Höhe              | Gewicht         |
|---------------------|-------------------|-------------------|-----------------|
| 599 mm (23,58 Zoll) | 31 mm (1,22 Zoll) | 46 mm (1,81 Zoll) | 0,3 kg (0,6 lb) |

**Hinweis:** Abmessungen in Zoll sind gerundet.

**Leistungsaufnahme**

| Stromquelle                   | Eingangsspannung | Spannungsauswahl |
|-------------------------------|------------------|------------------|
| Stromversorgung über Ethernet | 52-56 VDC        | Fest             |

| Stromversorgung für Einzelgerät | Gesamtstromversorgung für Verknüpfung pro Anschluss | Serienschaltung                       |
|---------------------------------|---|---------------------------------------|
| 15 W über POE                   | 75 W über POE                                       | 5 Produkte pro Anschluss/PoE-Injektor |

| I/O-Eingangsbuchse      | USA/Weltweit  | GB/Europa     |
|-------------------------|---------------|---------------|
| Stromeingangsbuchse     | Ethernet RJ45 | Ethernet RJ45 |
| Stromausgangsbuchse     | Ethernet RJ45 | Ethernet RJ45 |
| Kabeltyp (erforderlich) | CAT6          | CAT6          |

**Leuchtquelle**

| Typ | Farbe | Menge | Leistungsaufnahme | Strom  | Dauer          |
|-----|-------|-------|-------------------|--------|----------------|
| LED | RGBW  | 18    | 2,5 W             | 870 mA | 50.000 Stunden |

**Lichttechnik**

| Filter                        | Abstrahlwinkel  | Feldwinkel      | Abschaltwinkel | Beleuchtungsstärke @ 5 m |
|-------------------------------|-----------------|-----------------|----------------|--------------------------|
| Offene Optik                  | 119,9° x 122,2° | 164,4° x 165,2° | 178,4°         | 9 lux                    |
| Sehr breiter (Vorinstalliert) | 142,1° x 135,6° | 251° x 167°     | 334,2°         | 4 lux                    |

**Verkabelung**

| Maximale Gesamtkabellänge (Gerät zu Gerät) | Kabelquerschnittsbereich Weniger als 50 Fuß (15 m) | Kabelquerschnittsbereich 50 bis 328 Fuß (15 bis 100 m) |
|--|--|--|
| 100 m (328 Fuß)                            | 23-28 AWG (abgeschirmt oder nicht)                 | 23 AWG (abgeschirmt)                                   |

**Wärmeentwicklung**

| Umgebungstemperaturbereich          | Kühlung    |
|-------------------------------------|------------|
| -20 °C bis 45 °C (-4 °F bis 113 °F) | Konvektion |

**Bestellung**

| Produktbezeichnung | Artikelname | Artikelcode | UPC-Nummer   |
|--------------------|-------------|-------------|--------------|
| LQIC Cove M        | LOGICVM     | 1541822     | 781462221706 |

## Over deze handleiding

De LQGIC Cove M Beknopte Handleiding bevat basisinformatie over het product, zoals aansluiting, montage, menu-opties en DMX-waarden. Download de gebruikershandleiding voor de LQGIC Drive 2X op [www.chauvetprofessional.com](http://www.chauvetprofessional.com) voor meer informatie.

### Disclaimer

De informatie en specificaties in deze beknopte handleiding kunnen zonder voorafgaande kennisgeving worden gewijzigd.

### BEPERKTE GARANTIE

**GA NAAR ONZE WEBSITE VOOR REGISTRATIE VAN DE GARANTIE EN DE VOLLEDIGE ALGEMENE VOORWAARDEN.**

Voor klanten in de Verenigde Staten en Mexico: [www.chauvetlighting.com/warranty-registration](http://www.chauvetlighting.com/warranty-registration).

Voor klanten in het Verenigd Koninkrijk, Ierland, België, Nederland, Luxemburg, Frankrijk en Duitsland: [www.chauvetlighting.eu/warranty-registration](http://www.chauvetlighting.eu/warranty-registration).

Chauvet garandeert dat dit product bij normaal gebruik vrij zal blijven van defecten in materiaal en vakmanschap, voor de opgegeven periode en onder voorbehoud van de uitzonderingen en beperkingen die zijn uiteengezet in de volledige beperkte garantie op onze website. Deze garantie geldt uitsluitend voor de oorspronkelijke koper van het product en is niet overdraagbaar. Om onder deze garantie rechten uit te oefenen, moet u een aankoopbewijs overleggen in de vorm van een origineel verkoopbewijs van een geautoriseerde dealer, waarop de naam van het product en de aankoopdatum zichtbaar zijn. ER ZIJN GEEN ANDERE EXPLICIETE OF IMPLICIETE GARANTIES. Deze garantie geeft u specifieke wettelijke rechten. Mogelijk heeft u ook andere rechten die van staat tot staat en van land tot land verschillen. Deze garantie is uitsluitend geldig in de Verenigde Staten, het Verenigd Koninkrijk, Ierland, België, Nederland, Luxemburg, Frankrijk, Duitsland en Mexico. Neem contact op met uw lokale verkoper voor garantievoorwaarden in andere landen.

### Veiligheidsinstructies

- De armatuur moet zodanig geplaatst worden dat langdurig staren in de armatuur op een afstand van minder dan 3,3 voet (1 m) voorkomen wordt.
- Als de externe flexibele kabel of het snoer van deze armatuur beschadigd is, moet deze worden vervangen door een speciaal snoer of een snoer dat uitsluitend beschikbaar is bij de fabrikant of zijn onderhoudsagent.
- De lichtbron die in deze armatuur omvat is mag alleen vervangen worden door de fabrikant, of diens onderhoudsagent of een soortgelijk erkend persoon.
- De armatuur is uitsluitend bedoeld voor professioneel gebruik.
- Open het product NIET. Het bevat geen te onderhouden onderdelen.
- KIJK NIET in de lichtbron wanneer het apparaat is ingeschakeld.
- LET OP: De behuizing van dit product kan heet zijn wanneer het in bedrijf is.
- Monteer dit product op een plek met voldoende ventilatie, ten minste 50 cm van de aangrenzende oppervlakken.
- Plaats geen ontvlambaar materiaal binnen 50 cm van dit product als het in gebruik is of is aangesloten op het stopcontact.
- LET OP: Bij het verplaatsen van het product uit extreme omgevingen, (bijv. koude vrachtwagen naar warme, vochtige balzaal) kan er condensvorming optreden op de elektronica van het product. Om storingen te vermijden moet het product volledig kunnen acclimatiseren aan de omgeving voordat het op stroom wordt aangesloten.
- GEBRUIK een veiligheidskabel bij het boven het hoofd plaatsen van dit product.
- Gebruik dit product NIET buitenshuis of op een locatie waar stof, grote warmte, water of vochtigheid het kunnen beïnvloeden. (IP20)
- Gebruik dit product NIET als de behuizing, lenzen of kabels beschadigd lijken.
- Sluit dit product NIET aan op een dimmer of een regelweerstand.
- Sluit dit product UITSLUITEND aan op de IEEE 802.3bt POE voedingsbronapparatuur (PSE).
- Stop in het geval van ernstige operationele problemen onmiddellijk met het gebruik.
- Stop in het geval van ernstige operationele problemen onmiddellijk met het gebruik.
- De maximale omgevingstemperatuur bedraagt 45 °C. Gebruik dit product niet bij hogere temperaturen.
- De minimale opstarttemperatuur is -20° C. Start het product niet op bij lagere temperaturen.
- De minimale omgevingstemperatuur is -30 °C. Gebruik het product niet bij lagere temperaturen.

## FCC-naleving

Dit apparaat voldoet aan Part 15 Part B van de FCC-regels. Het gebruik is onderworpen aan de volgende twee voorwaarden:

1. Dit apparaat mag geen schadelijke interferentie veroorzaken, en
2. Dit apparaat moet enige ontvangen interferentie accepteren, inclusief interferentie die een ongewenste werking kan veroorzaken.

Eventuele wijzigingen of aanpassingen die niet uitdrukkelijk door de voor naleving verantwoordelijke partij zijn goedgekeurd, kan de bevoegdheid van de gebruiker om de apparatuur te bedienen ongeldig verklaren.

## Contact

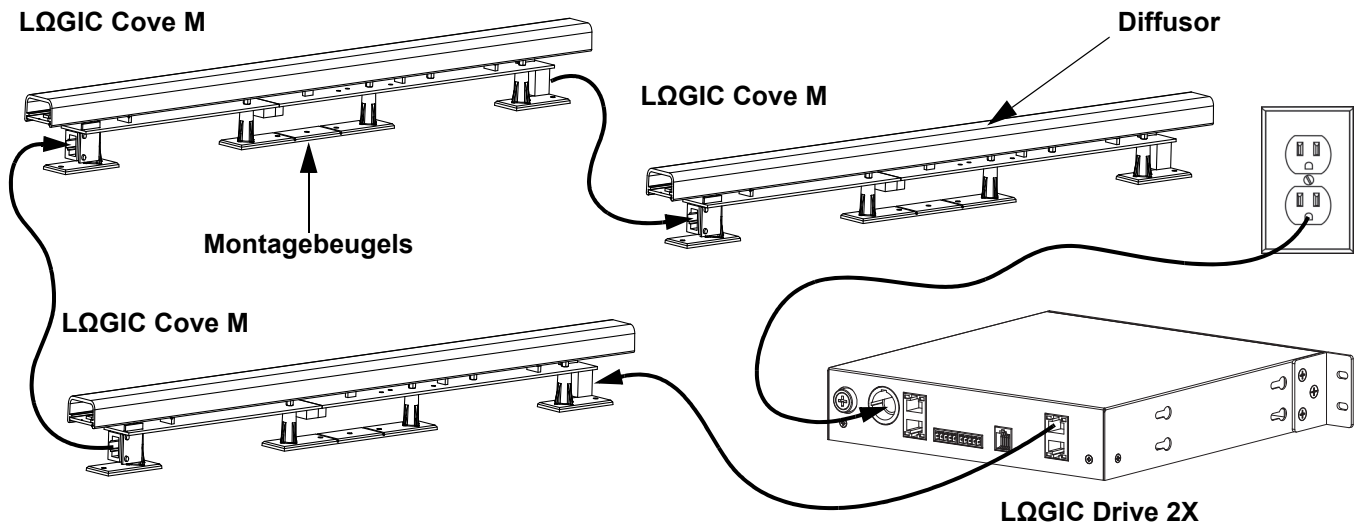
Van buiten de VS, Verenigd Koninkrijk, Ierland, Benelux, Frankrijk, Duitsland of Mexico kunt u contact opnemen met de distributeur of om ondersteuning vragen dan wel het product retourneren. Raadpleeg [Contact Us](#) aan het einde van deze beknopte handleiding voor contactinformatie.

## Wat is inbegrepen

- LQGIC Cove M
- Gel frame
- Omegabeugel
- Beknopte handleiding

## Productoverzicht

De LQGIC Cove M is een LED-armatuur die is ontworpen voor compacte kooftoepassingen. Het is een veilig laagspanningsproduct dat volledige RGBW-kleurenmenging ondersteunt. Elke LQGIC Cove M wordt geleverd met een diffusor en kunststof montagebeugels.



Het wordt niet aanbevolen om de LQGIC Cove M zonder de meegeleverde diffuser te gebruiken.

## Gelijkstroom

Dit product wordt via een CAT6-aansluiting van 52 VDC door de LQGIC Drive 2X gevoed. Download de gebruikershandleiding voor de LQGIC Drive 2X vanaf [www.iluminarc.com](http://www.iluminarc.com) voor meer informatie.

## Power Linking

Het is mogelijk tot 5 LQGIC Cove M-producten koppelen vanaf één uitgang van de LQGIC Drive 2X.

## Signaalkoppeling

De LQGIC Cove M ontvangt via een CAT6-verbinding een regelsignaal (DMX, RDM, Art-Net™ of sACN) vanaf de LQGIC Drive 2X.

## Aansluiting en Bekabeling

De LQGIC Cove M gebruikt een standaard CAT6-kabel (geen crossover-bekabeling) en IEEE 802bt POE-voedingsstandaard.

Korte kabels kunnen een kleinere dikte gebruiken, maar elke kabel die langer is dan 50 ft (15 m) dient 23 AWG dik en afgeschermd te zijn, anders krijgen de producten mogelijk onvoldoende voeding.

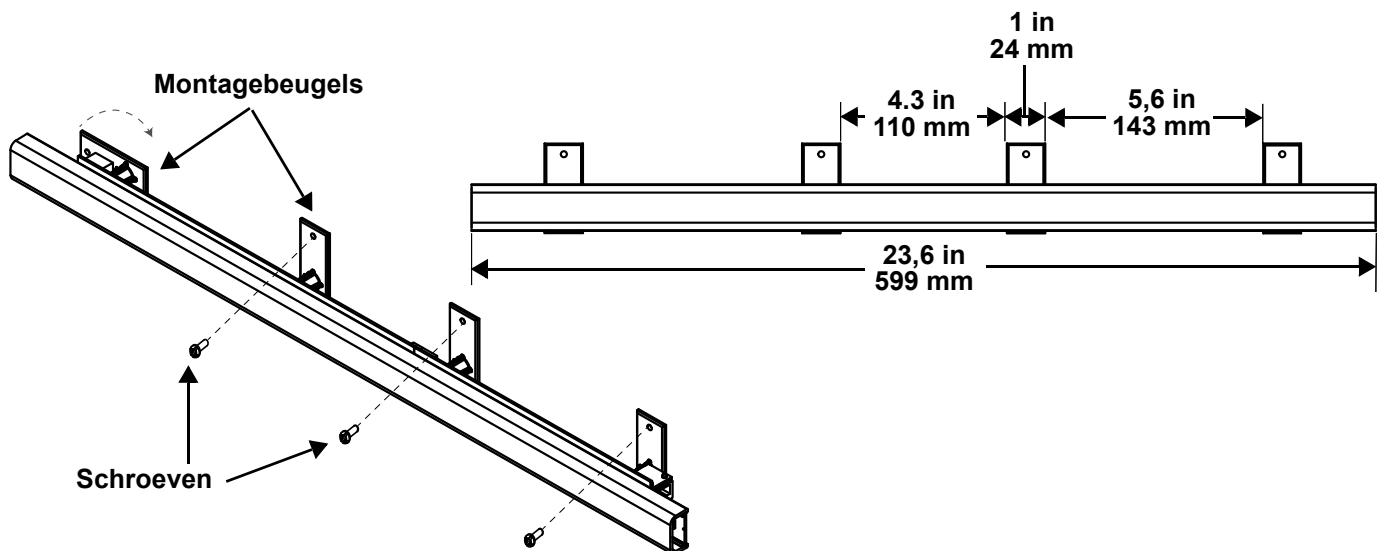
Kabelvereisten: Max/min dikte van 23/28 AWG CAT6 vier gedraaid aderpaar.

- Voor afstanden van minder dan 15 m: 23–28 AWG (afgeschermd of niet-afgeschermd)
- Voor afstanden van 15–100 m: 23 AWG (afgeschermd)

 Een voorbeeld van een korte kabel met een kleinere kabeldiameter waarvan de werking met de LQGIC Cove M bewezen effectief is, is de Monoprice Slimrun CAT6 Ethernet-patchkabels, gevlochten 550 MHz, UTP, zuivere blanke koperdraad, 28 AWG.

## Montage

Elke LQGIC Cove M wordt geleverd met vaste montagebeugels die voor geconfigureerde LED-uitlijning tussen armaturen ondersteunen.



-  Draai de kunststof beugels eerst horizontaal om hun as voordat u ze met bouten of schroeven vastzet.
- Bij het installeren van meerdere LQGIC Cove M-en, dient ervoor gezorgd te worden dat er onderling voldoende afstand is (zie tekening voor armatuurafmetingen).

**Menukaart**

Ga via het menu van de LQIGIC Drive 2X **Linked Fixtures** naar het menu van de LQIGIC Cove M.

Raadpleeg de productpagina's van LQIGIC Cove M en LQIGIC Drive 2X op [www.iluminarc.com](http://www.iluminarc.com) voor de nieuwste menukaart.

| Hoofdniveau          | Programmeerniveaus   | Beschrijving   |
|----------------------|----------------------|--|
| <b>Dmx Address</b>   | <b>001–512</b>       | Selecteert het DMX-adres   |
| <b>Personality</b>   | <b>RED</b>           | 1 kanaal: dimmer (alleen rood)   |
|                      | <b>GREEN</b>         | 1 kanaal: dimmer (alleen groen)  |
|                      | <b>BLUE</b>          | 1 kanaal: dimmer (alleen blauw)  |
|                      | <b>WHITE</b>         | 1 kanaal: dimmer   |
|                      | <b>TW</b>            | 2 kanalen, Aanpasbaar wit: dimmer, kleurtemperatuur  |
|                      | <b>RGB</b>           | 3 kanalen: RGB-besturing   |
|                      | <b>RGBW</b>          | 4 kanalen: RGBW-besturing  |
|                      | <b>RGBW+D</b>        | 5 kanalen: dimmer, RGBW-besturing  |
|                      | <b>FULL</b>          | 10 kanalen: dimmer, RGBW, kleurtemperatuur, stroboscoop, automatische programma's en snelheid, dimmer snelheid |
| <b>Network</b>       | <b>Net Switch</b>    | <b>2.X.X.X</b><br><b>10.X.X.X</b><br>Selecteert de eerste waarde van het IP-adres                              |
|                      | <b>Universe</b>      | <b>000–255 / 001–256</b><br>(Art-Net™) (sACN)<br>Selecteert de universe  |
| <b>Local Info</b>    | <b>Version</b>       | <b>V _._._</b><br>Toont de geïnstalleerde firmwareversie   |
|                      | <b>IP Address</b>    | <b>_._._._._._._._</b><br>Toont het huidige IP-adres   |
|                      | <b>Fixture Hours</b> | <b>_ hours</b><br>Toont het aantal uren dat het product is ingeschakeld  |
|                      | <b>Label</b>         | <b>_._._._._._._._</b><br>Toont het productetiket  |
|                      | <b>Device UID</b>    | <b>_._._._._._._._</b><br>Geeft de huidige UID   |
|                      | <b>MAC Address</b>   | <b>_._._._._._._._</b><br>Toont het MAC-adres  |
|                      | <b>Temperature</b>   | <b>_._._ °C</b><br>Toont de huidige temperatuur in °C  |
| <b>Factory Reset</b> | <b>No</b>            | Reset naar fabrieksinstellingen  |
|                      | <b>Yes</b>           |  |

## RDM-Kaart

Raadpleeg de LQIC Cove M-productpagina op [www.iluminarc.com](http://www.iluminarc.com) voor de nieuwste RDM-tabel.

| GET | SET | Categorie           | RDM-Parameter-ID's (Sleuf 21-22) | Waarde | Verplicht | Detail  |
|-----|-----|---------------------|----------------------------------|--------|-----------|---|
|     |     | Network Management  | DISC_UNIQUE_BRANCH               | 0x0001 | ✓         |   |
|     |     |                     | DISC_MUTE                        | 0x0002 | ✓         |   |
|     |     |                     | DISC_UN_MUTE                     | 0x0003 | ✓         |   |
| ✓   |     | RDM Information     | QUEUED_MESSAGE                   | 0x0020 |           |   |
| ✓   |     |                     | SUPPORTED_PARAMETERS             | 0x0050 | ✓         | IDENTIFY_DEVICE, DEVICE_INFO, SOFTWARE_VERSION_LABEL, SUPPORTED_PARAMETERS, DMX_START_ADDRESS, DEVICE_MODEL_DESCRIPTION, MANUFACTURER_LABEL, DEVICE_LABEL, DMX_PERSONALITY, PERSONALITY_DESCRIPTION, SENSOR_DEFINITION, SENSOR_VALUE                      |
| ✓   |     |                     | PARAMETER_DESCRIPTION            | 0x0051 | ✓         |   |
| ✓   |     | Product Information | DEVICE_INFO                      | 0x0060 | ✓         | 1, RDM Protocol Version: V1.0;<br>2, Device_Mode_ID: 0x1822;<br>3, Product Category Defines: PRODUCT_CATEGORY_FIXTURE_FIXED;<br>4, Software Version ID;<br>5, DMX512 Footprint;<br>6, DMX512 Personality;<br>7, DMX512 Start Address;<br>8, Sensor Count; |
|     |     |                     | PRODUCT_DETAIL_ID_LIST           | 0x0070 |           |   |
| ✓   |     |                     | DEVICE_MODEL_DESCRIPTION         | 0x0080 |           | LOGICCV M   |
| ✓   |     |                     | MANUFACTURER_LABEL               | 0x0081 |           | ILUMINARC   |
| ✓   | ✓   |                     | DEVICE_LABEL                     | 0x0082 |           | LOGICCV M   |
| ✓   |     |                     | SOFTWARE_VERSION_LABEL           | 0x00C0 | ✓         | V_._  |
| ✓   | ✓   |                     | FACTORY_DEFAULTS                 |        |           | FACTORY_DEFAULTS : yes  |
| ✓   | ✓   | DMX Setup           | DMX_PERSONALITY                  | 0x00E0 |           | 9pcs persons  |
| ✓   |     |                     | DMX_PERSONALITY_DESCRIPTION      | 0x00E1 |           | RED/1CH, GREEN/1CH, BLUE/1CH, WHITE/1CH, TW/2CH, RGB/3CH, RGBW/4CH, RGBW+D/5CH, FULL/10CH   |
| ✓   | ✓   |                     | DMX_START_ADDRESS                | 0x00F0 | ✓         | 1-503   |
| ✓   |     | Sensors             | SENSOR_DEFINITION                | 0x0200 |           | 0.) Product Temperature __ °C   |
| ✓   |     |                     | SENSOR_VALUE                     | 0x0201 |           | —20° —100°  |
| ✓   | ✓   | Control             | IDENTIFY_DEVICE                  | 0x1000 | ✓         | Identify State: Off   |

**DMX-waarden****FULL (10 kanalen)**

| Kanaal    | Functie                 | Waarde    | Percentage/Instelling                      |
|-----------|-------------------------|-----------|--|
| 1         | Dimmer                  | 000 ⇔ 255 | 0–100%                                     |
| 2         | Rood                    | 000 ⇔ 255 | 0–100%                                     |
| 3         | Groen                   | 000 ⇔ 255 | 0–100%                                     |
| 4         | Blauw                   | 000 ⇔ 255 | 0–100%                                     |
| 5         | Wit                     | 000 ⇔ 255 | 0–100%                                     |
| 6         | Kleurtemperatuur        | 000 ⇔ 010 | Geen functie                               |
|           |                         | 011 ⇔ 020 | 1800K                                      |
|           |                         | 021 ⇔ 030 | 2200K                                      |
|           |                         | 031 ⇔ 040 | 2700K                                      |
|           |                         | 041 ⇔ 050 | 3000K                                      |
|           |                         | 051 ⇔ 060 | 3200K                                      |
|           |                         | 061 ⇔ 070 | 4000K                                      |
|           |                         | 071 ⇔ 080 | 4500K                                      |
|           |                         | 081 ⇔ 090 | 5000K                                      |
|           |                         | 091 ⇔ 100 | 5600K                                      |
|           |                         | 101 ⇔ 110 | 6000K                                      |
|           |                         | 111 ⇔ 120 | 6500K                                      |
|           |                         | 121 ⇔ 130 | 7000K                                      |
|           |                         | 131 ⇔ 140 | 8000K                                      |
|           |                         | 141 ⇔ 150 | 10000K                                     |
| 151 ⇔ 255 | Geen functie            |           |  |
| 7         | Stroboscoop             | 000 ⇔ 009 | Geen functie                               |
|           |                         | 010 ⇔ 099 | Stroboscoop, 0–25 Hz                       |
|           |                         | 100 ⇔ 109 | Geen functie                               |
|           |                         | 110 ⇔ 179 | Bliksem stroboscoop, langzaam tot snel     |
|           |                         | 180 ⇔ 189 | Geen functie                               |
|           |                         | 190 ⇔ 255 | Willekeurigstroboscoop, langzaam tot snel  |
| 8         | Automatisch programma's | 000 ⇔ 040 | Geen functie                               |
|           |                         | 041 ⇔ 050 | Automatische programma 1                   |
|           |                         | 051 ⇔ 060 | Automatische programma 2                   |
|           |                         | 061 ⇔ 070 | Automatische programma 3                   |
|           |                         | 071 ⇔ 080 | Automatische programma 4                   |
|           |                         | 081 ⇔ 090 | Automatische programma 5                   |
|           |                         | 091 ⇔ 100 | Automatische programma 6                   |
|           |                         | 101 ⇔ 110 | Automatische programma 7                   |
|           |                         | 111 ⇔ 120 | Automatische programma 8                   |
|           |                         | 121 ⇔ 130 | Automatische programma 9                   |
|           |                         | 131 ⇔ 140 | Automatische programma 10                  |
| 141 ⇔ 255 | Geen functie            |           |  |
| 9         | Programmasnelheid       | 000 ⇔ 255 | Automatic program speed, langzaam tot snel |
| 10        | Dimmersnelheid          | 000 ⇔ 009 | Geen functie                               |
|           |                         | 010 ⇔ 129 | Activeert de dimmercurve                   |
|           |                         | 130 ⇔ 255 | Deactiveert de dimmercurve                 |

**RGBW+D** (5 kanalen)

| Kanaal | Functie | Waarde    | Percentage/Instelling |
|--------|---------|-----------|-----------------------|
| 1      | Dimmer  | 000 ⇔ 255 | 0–100%                |
| 2      | Rood    | 000 ⇔ 255 | 0–100%                |
| 3      | Groen   | 000 ⇔ 255 | 0–100%                |
| 4      | Blauw   | 000 ⇔ 255 | 0–100%                |
| 5      | Wit     | 000 ⇔ 255 | 0–100%                |

**RGBW** (4 kanalen)

| Kanaal | Functie | Waarde    | Percentage/Instelling |
|--------|---------|-----------|-----------------------|
| 1      | Rood    | 000 ⇔ 255 | 0–100%                |
| 2      | Groen   | 000 ⇔ 255 | 0–100%                |
| 3      | Blauw   | 000 ⇔ 255 | 0–100%                |
| 4      | Wit     | 000 ⇔ 255 | 0–100%                |

**RGB** (3 kanalen)

| Kanaal | Functie | Waarde    | Percentage/Instelling |
|--------|---------|-----------|-----------------------|
| 1      | Rood    | 000 ⇔ 255 | 0–100%                |
| 2      | Groen   | 000 ⇔ 255 | 0–100%                |
| 3      | Blauw   | 000 ⇔ 255 | 0–100%                |

**TW** (Aanpasbaar wit: 2 kanalen)

| Kanaal    | Functie          | Waarde    | Percentage/Instelling |
|-----------|------------------|-----------|-----------------------|
| 1         | Dimmer           | 000 ⇔ 255 | 0–100%                |
| 2         | Kleurtemperatuur | 000 ⇔ 010 | Geen functie          |
|           |                  | 011 ⇔ 020 | 1800K                 |
|           |                  | 021 ⇔ 030 | 2200K                 |
|           |                  | 031 ⇔ 040 | 2700K                 |
|           |                  | 041 ⇔ 050 | 3000K                 |
|           |                  | 051 ⇔ 060 | 3200K                 |
|           |                  | 061 ⇔ 070 | 4000K                 |
|           |                  | 071 ⇔ 080 | 4500K                 |
|           |                  | 081 ⇔ 090 | 5000K                 |
|           |                  | 091 ⇔ 100 | 5600K                 |
|           |                  | 101 ⇔ 110 | 6000K                 |
|           |                  | 111 ⇔ 120 | 6500K                 |
|           |                  | 121 ⇔ 130 | 7000K                 |
|           |                  | 131 ⇔ 140 | 8000K                 |
|           |                  | 141 ⇔ 150 | 10000K                |
| 151 ⇔ 255 | Geen functie     |           |                       |

**WHITE** (Wit, 1 kanaal)

| Kanaal | Functie | Waarde    | Percentage/Instelling |
|--------|---------|-----------|-----------------------|
| 1      | Dimmer  | 000 ⇔ 255 | Alleen wit, 0–100%    |

**BLUE** (Blauw, 1 kanaal)

| Kanaal | Functie | Waarde    | Percentage/Instelling |
|--------|---------|-----------|-----------------------|
| 1      | Dimmer  | 000 ⇔ 255 | Alleen blauw, 0–100%  |

**GREEN** (Groen, 1 kanaal)

| Kanaal | Functie | Waarde    | Percentage/Instelling |
|--------|---------|-----------|-----------------------|
| 1      | Dimmer  | 000 ⇔ 255 | Alleen groen, 0–100%  |

**RED** (Rood, 1 kanaal)

| Kanaal | Functie | Waarde    | Percentage/Instelling |
|--------|---------|-----------|-----------------------|
| 1      | Dimmer  | 000 ⇔ 255 | Alleen rood, 0–100%   |

**Technische Specificaties****Afmetingen en gewicht**

| Lengte            | Breedte         | Hoogte          | Gewicht         |
|-------------------|-----------------|-----------------|-----------------|
| 599 mm (23,58 in) | 31 mm (1,22 in) | 46 mm (1,81 in) | 0,3 kg (0,6 lb) |

**Let op:** Afmetingen in inches zijn afgerond.

**Stroom**

| Stroombron          | Ingangsspanning | Spanning Selectie |
|---------------------|-----------------|-------------------|
| Power over Ethernet | 52-56 VDC       | Vaste             |

| Vermogen met één armatuur | Totaal koppelvermogen per poort | Power Linking                      |
|---------------------------|---------------------------------|------------------------------------|
| 15 W via POE              | 75 W via POE                    | 5 producten per poort/PoE injector |

| Stroom I/O            | VS/wereldwijde | VK/Europa     |
|-----------------------|----------------|---------------|
| Stroomingangsstekker  | Ethernet RJ45  | Ethernet RJ45 |
| Stroomuitgangsstekker | Ethernet RJ45  | Ethernet RJ45 |
| Kabeltyp (vereist)    | CAT6           | CAT6          |

**Lichtbron**

| Type | Kleur | Aantal | Vermogen | Stroomsterkte | Levensduur |
|------|-------|--------|----------|---------------|------------|
| LED  | RGBW  | 18     | 2,5 W    | 870 mA        | 50.000 uur |

**Photometrics**

| Filter                               | Stralingshoek   | Field hoek      | Drempelhoek | Verlichtingssterkte @ 5 m |
|--------------------------------------|-----------------|-----------------|-------------|---------------------------|
| Open optiek                          | 119,9° x 122,2° | 164,4° x 165,2° | 178,4°      | 9 lux                     |
| Zeer breed<br>(vooraf geïnstalleerd) | 142,1° x 135,6° | 251° x 167°     | 334,2°      | 4 lux                     |

**Bekabelen**

| Totale maximale kabellengte<br>(Apparaat naar apparaat) | Bereik kabeldiameter<br>Minder dan 50 ft (15 m) | Bereik kabeldiameter<br>50-328 ft (15-100 m) |
|---|---|--|
| 100 m (328 ft)  | 23-28 AWG (afgeschermd of niet)                 | 23 AWG (afgeschermd)                         |

**Thermisch**

| Omgevingstemperatuurbereik          | Koelsysteem |
|-------------------------------------|-------------|
| -20 °C tot 45 °C (-4 °F tot 113 °F) | Convectie   |

**Bestellen**

| Productbeschrijving | Productnaam | Artikelcode | UPC Nummer   |
|---------------------|-------------|-------------|--------------|
| LQIC Cove M         | LOGICVM     | 1541822     | 781462221706 |

Contact Us

| General Information  | Technical Support  |
|--|--|
| <b>World Headquarters</b>  |  |
| Address: 5200 NW 108th Ave.<br>Sunrise, FL 33351<br>Voice: (954) 577-4455<br>Fax: (954) 929-5560<br>Toll Free: (800) 762-1084                          | Voice: (844) 393-7575<br>Fax: (954) 756-8015<br>Email: <a href="mailto:support@iluminarc.com">support@iluminarc.com</a><br>Website: <a href="http://www.iluminarc.com">www.iluminarc.com</a> |
| <b>U.K.</b>  |  |
| Address: Unit 1C<br>Brookhill Road Industrial Estate<br>Pinxton, Nottingham, UK<br>NG16 6NT<br>Voice: +44 (0) 1773 511115<br>Fax: +44 (0) 1773 511110  | Email: <a href="mailto:UKtech@chauvetlighting.eu">UKtech@chauvetlighting.eu</a><br>Website: <a href="http://www.iluminarc.com">www.iluminarc.com</a>   |
| <b>Benelux</b>   |  |
| Address: Stokstraat 18<br>9770 Kruishoutem<br>Belgium<br>Voice: +32 9 388 93 97  | Email: <a href="mailto:BNLtech@chauvetlighting.eu">BNLtech@chauvetlighting.eu</a><br>Website: <a href="http://www.iluminarc.com">www.iluminarc.com</a>                                       |
| <b>France</b>  |  |
| Address: 3, Rue Ampère<br>91380 Chilly-Mazarin<br>France<br>Voice: +33 1 78 85 33 59   | Email: <a href="mailto:FRtech@chauvetlighting.fr">FRtech@chauvetlighting.fr</a><br>Website: <a href="http://www.iluminarc.com">www.iluminarc.com</a>   |
| <b>Germany</b>   |  |
| Address: Bruno-Bürgel-Str. 11<br>28759 Bremen<br>Germany<br>Voice: +49 421 62 60 20  | Email: <a href="mailto:DEtech@chauvetlighting.de">DEtech@chauvetlighting.de</a><br>Website: <a href="http://www.iluminarc.com">www.iluminarc.com</a>   |
| <b>Mexico</b>  |  |
| Address: Av. de las Partidas 34 - 3B<br>(Entrance by Calle 2)<br>Zona Industrial Lerma<br>Lerma, Edo. de México, CP 52000<br>Voice: +52 (728) 690-2010 | Email: <a href="mailto:servicio@chauvet.com.mx">servicio@chauvet.com.mx</a><br>Website: <a href="http://www.iluminarc.com">www.iluminarc.com</a>   |

Visit the applicable website above to verify our contact information and instructions to request support. Outside the U.S., U.K., Ireland, Mexico, France, Germany, or Benelux, contact the dealer of record.



UL 2108, UL 1598A  
CSA C22.2 No. 250.2  
E115166



RoHS

