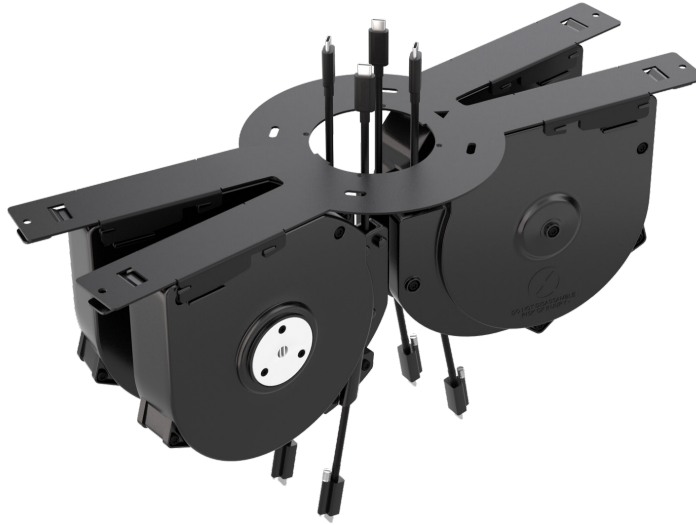


DATA SHEET

EASYCONNECT MPX CRS USB-C



The EasyConnect MPX CRS USB-C is a compact, tool-free cable retraction system designed specifically for seamless integration with the MPX 200/250. It snaps directly onto the MPX 200/250 bracket, providing clean, reliable cable management without increasing installation complexity.

Featuring four spring-loaded retraction modules, CRS USB-C ensures smooth, dependable performance while maintaining a minimal under-table footprint. The result is a streamlined installation with no cable bags, no visible clutter, and clean lines that complement everything from executive boardrooms to modern collaboration spaces.

Together with MPX 200/250, CRS USB-C simplifies upgrades, enhances usability, and supports professional, design-forward meeting environments.

PRODUCT SPECIFICATIONS

OVERALL DIMENSIONS		COMPATIBLE PRODUCTS
Height	6.44 inches (163,7 mm)	EasyConnect MPX 200
Width	14.63 inches (371,7 mm)	EasyConnect MPX 250
Depth	4.66 inches (118,3 mm)	EasyConnect MPX TA 203x260
INCLUDED WITH THE PRODUCT		EasyConnect MPX TA 203x508 *
1x X-bracket mounting plate		
4x Cable retractors		
Note: Used together with EasyConnect MPX 200/250 (sold separately)		*Note: If using MPX CRS USB-C with MPX TA 203x508, the hole to be covered must be less than 17" (431mm) long to ensure the CRS bracket can be secured to the table.

Biamp strives to improve its products on a continual basis. Specifications are therefore subject to change without notice. Biamp and EasyConnect are either trademarks or registered trademarks of Biamp Systems, LLC in The United States and other countries. Other product names referenced may be trademarks or registered marks of their respective owners and Biamp Systems is not affiliated with or sponsored by these companies.