



CMR-S 60T

CEILING SUBWOOFER



Description

CMR-S 60T is a ceiling subwoofer, suitable for a wide range of applications. Thanks to its elegant and discreet design and refined finishes, it is suitable for all environmental and architectural conditions. Featuring a 6.5" woofer and 80 W RMS power, it is also equipped with a transformer for connection to constant voltage lines (70/100 V). The high quality of its transducer guarantees faithful and precise low frequencies reproduction and allows to reach truly remarkable sound pressure levels for such compact product. The connection is simple and safe thanks to the removable four-pole screw terminals. The front grille is fixed by magnets and can therefore be easily removed to access the power rotary switch (the line transformer allows selection among five power rates).

Features

- › 80 W RMS power handling
- › 109 dB max SPL
- › 45 ÷ 250 Hz frequency range
- › 180° omnidirectional coverage angle
- › 6.5" high power woofer, 1.5" v.c.
- › Self extinguishing plastic body and metal backcan
- › Steel magnetic front grille
- › 4 pole EUROBLOCK connector (audio input and parallel link output)
- › 5 different power levels selectable

Part Number

13100112 CMR-S 60T W

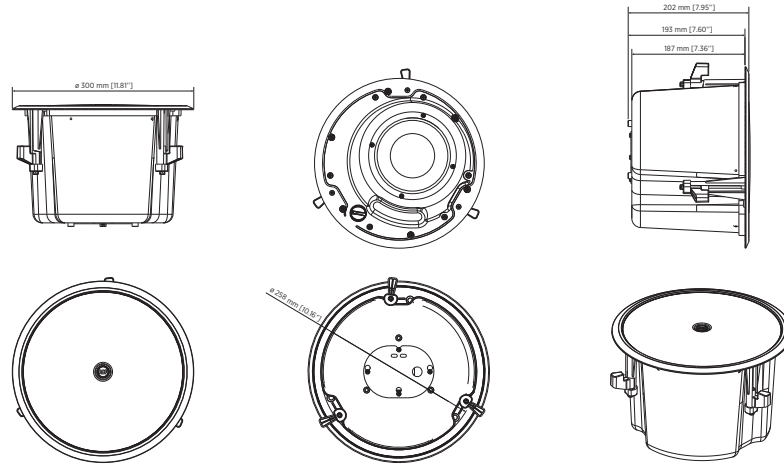
White - RAL 9003 EAN 8024530022259



CMR-S 60T

CEILING SUBWOOFER

Line Art 2D



TECHNICAL SPECIFICATIONS

Acoustical specifications	Frequency Response (-10dB)	45 Hz - 250 Hz	
	Max SPL @ 1m	109 dB	
	Coverage angle	180°	
	System Sensitivity	89 dB	
Power section	Amplification	Full Range	
	Nominal Impedance	8 ohm	
	Power Handling	80 W RMS	
	Peak Power Handling	320 W PEAK	
	Protections	Bulb lamp	
	Recommended Amplifiers	DMA 504, DMA 162, DMA 82, DMA 162P	
Transducers	Woofer	1 x 6.5", 1.5" v.c	
Input/Output section	Input connectors	Euroblock	
	Output connectors	Euroblock	
	Constant Voltage Transformer	70/100 V	
	Power selection 1	80 W - 125 ohm	
	Power selection 2	40 W - 250 ohm	
	Power selection 3	20 W - 500 ohm	
Standard compliance	Power selection 4	10 W - 1000 ohm	
	Power selection 5	5 W - 2000 ohm	
	Safety agency	CE compliant	
	Physical specifications	Cabinet/Case Material	ABS
		Hardware	Steel backcan
Grille		Steel	
Color		White - RAL 9003	



CMR-S 60T

CEILING SUBWOOFER

Size / Weight	Depth	202 mm / 7.95 inches
	Recessed Depth	193 mm / 7.6 inches
	Diameter	300 mm / 11.81 inches
	Cut out diameter	260 mm / 10.24 inches
	Weight	4.5 kg / 9.92 lbs

ACCESSORIES

Rigging / Mounting

FLYING BRACKETS

13360490	MUD RING 4X CMR	EAN 8024530019396
13360489	TILE BRIDGE 4X CMR	EAN 8024530019389

GRILLE

13360492	GRILLE KIT 4X CMR B	Black - RAL 9005	EAN 8024530019402
----------	---------------------	------------------	-------------------