

STRIKE ARRAY 1

User Manual



Model ID: STRIKEARRAY1


CHAUVET
PROFESSIONAL

Edition Notes

The STRIKE Array 1 User Manual includes a description, safety precautions, installation, programming, operation, and maintenance instructions for the STRIKE Array 1 as of the release date of this edition.

Trademarks

Chauvet, Chauvet Professional, the Chauvet logo, and STRIKE are registered trademarks or trademarks of Chauvet & Sons, LLC (d/b/a Chauvet and Chauvet Lighting) in the United States and other countries. Other company and product names and logos referred to herein may be trademarks of their respective companies.

Copyright Notice

The works of authorship contained in this manual, including, but not limited to, all designs, text, and images are owned by Chauvet.

© Copyright 2026 Chauvet & Sons, LLC. All rights reserved.

Electronically published by Chauvet in the United States of America.

Manual Use

Chauvet authorizes its customers to download and print this manual for professional information purposes only. Chauvet expressly prohibits the usage, copy, storage, distribution, modification, or printing of this manual or its content for any other purpose without written consent from Chauvet.

Document Printing

For best results, print this document in color, on letter size paper (8.5 x 11 in), double-sided. If using A4 paper (210 x 297 mm), configure the printer to scale the content accordingly.

Intended Audience

Any person installing, operating, and/or maintaining this product should completely read through the guide that shipped with the product, as well as this manual, before installing, operating, or maintaining this product.

Disclaimer

Chauvet believes that the information contained in this manual is accurate in all respects. However, Chauvet assumes no responsibility and specifically disclaims any and all liability to any party for any loss, damage or disruption caused by any errors or omissions in this document, whether such errors or omissions result from negligence, accident, or any other cause. Chauvet reserves the right to revise the content of this document without any obligation to notify any person or company of such revision, however, Chauvet has no obligation to make, and does not commit to make, any such revisions.

Document Revision

Go to www.chauvetprofessional.com for the latest version.

Revision	Date	Description
7	01/2026	Added information for mounting with different products in the STRIKE family.

TABLE OF CONTENTS

1. Before You Begin	1
What Is Included	1
Claims	1
Text Conventions	1
Symbols	1
Safety Notes.....	2
FCC Statement of Compliance	3
Expected LED Lifespan.....	3
2. Introduction	4
Features.....	4
Product Overview.....	4
Product Dimensions	5
3. Setup	6
AC Power.....	6
AC Plug.....	6
Power Linking.....	6
USB Software Update.....	7
Fixture To Fixture Software Update	7
Signal Connections	8
Control Personalities	8
DMX Linking.....	8
Remote Device Management.....	8
Art-Net™ Connection	8
sACN Connection.....	8
Ethernet Connection Diagram.....	8
Pod and Driver Linking.....	9
Pod Addressing.....	9
Addressing Diagram.....	10
Pod LED Indicators	10
Mounting	11
Orientation.....	11
Rigging	11
Procedure.....	11
Mounting Diagram.....	11
Driver Mounting Diagram	12
Multi-Product Mounting	12
Multi-Product Mounting Diagram.....	12
Mounting Products Attached in Series	13
Switching from Frame to Head-Only Yoke.....	14
4. Operation	15
Control Panel Description	15
Programming.....	15
Passcode	15
Menu Map	15
Control Configuration	18

Control Mode.....	18
Control Personalities	18
Starting Address.....	18
Ethernet Settings.....	19
IP Mode	19
Universe	19
Start Channel.....	19
IP Address	19
Ethernet to DMX	19
DMX Channel Assignments and Values	20
Control Chart.....	20
8 Pod Modes (8P–46Ch / 8P–43Ch / 8P–26Ch / 8P–9Ch / 8P–8Ch).....	20
4 Pod Modes (4P–26Ch / 4P–23Ch / 4P–14Ch / 4P–5Ch / 4P–4Ch).....	21
5 Ch / 2 Ch / 1 Ch	22
Standalone Configuration.....	23
Static Mode	23
Auto Show.....	23
Settings Configuration.....	23
Red Shift	23
Master/Slave	23
Dimmer Curve	23
Dimmer Speed Mode	23
Pulse Width Modulation	23
Display Invert	23
Display Backlight.....	23
Key Lock	24
Information	24
Temperature.....	24
Pod Order.....	24
Re-Address Pods	24
Factory Reset.....	24
Web Server	25
Home.....	25
Settings	25
Output	25
Security	25
5. Maintenance.....	26
Product Maintenance	26
Torque Measurements	26
Vacuum Test Measurements	26
6. Technical Specifications	27
Contact Us	28
Warranty & Returns.....	28

Before You Begin

1. Before You Begin

What Is Included

- 4x STRIKE Array 1 mounted in frame with yoke
- 4x linking cable
- Seetronic Powerkon IP65 power cable
- STRIKE Array 1 Driver
- 4x head-only yoke
- 5x Omega bracket with mounting hardware
- Quick Reference Guide

Claims

Carefully unpack the product immediately and check the container to make sure all the parts are in the package and are in good condition.




If the box or the contents (the product and included accessories) appear damaged from shipping, or show signs of mishandling, notify the carrier immediately, not Chauvet. Failure to report damage to the carrier immediately may invalidate a claim. In addition, keep the box and contents for inspection.

For other issues, such as missing components or parts, damage not related to shipping, or concealed damage, file a claim with Chauvet within 7 days of delivery.

Text Conventions

Convention	Meaning
1–512	A range of values
50/60	A set of values of which only one can be chosen
Settings	A menu option not to be modified
<ENTER>	A key to be pressed on the product's control panel

Symbols

Symbol	Meaning
	Critical installation, configuration, or operation information. Not following these instructions may make the product not work, cause damage to the product, or cause harm to the operator.
	Important installation or configuration information. The product may not function correctly if this information is not used.
	Useful information.



Any reference to data or power connections in this manual assumes the use of Seetronic IP-rated cables.



The term “DMX” used throughout this manual refers to the USITT DMX512-A digital data transmission protocol.

Connection of the control signal: DMX line

- The product has XLR sockets for DMX input and output.
- **Notice: This control circuit is isolated and belongs to the Class 2 data port.**

The control circuit has a cumulative leakage current of less than 3.5 mA.

Safety Notes

Read all the following safety notes before working with this product. These notes contain important information about the installation, usage, and maintenance of this product.



This product contains no user-serviceable parts. Any reference to servicing in this User Manual will only apply to properly trained, certified technicians. Do not open the housing or attempt any repairs.



All applicable local codes and regulations apply to proper installation of this product.

- The luminaire is intended for professional use only.
- The luminaire should be positioned so that prolonged staring into the luminaire at a distance closer than 7.5 ft (2.3 m) is not expected.
- If the external flexible cable or cord of this luminaire is damaged, it shall be replaced by a special cord or cord exclusively available from the manufacturer or its service agent.
- The light source contained in this luminaire shall only be replaced by the manufacturer or its service agent or a similar qualified person.
- **CAUTION:**
 - This product's housing may be hot when operating. Mount this product in a location with adequate ventilation, at least 20 in (50 cm) from adjacent surfaces.
 - When transferring the product from extreme temperature environments, (e.g., cold truck to warm humid ballroom) condensation may form on the internal electronics of the product. To avoid causing a failure, allow the product to fully acclimate to the surrounding environment before connecting it to power.
 - Flashing light is known to trigger epileptic seizures. User must comply with local laws regarding notification of strobe use.
- **ALWAYS:**
 - Disconnect from power before cleaning the product.
 - When using an IP65-rated product in an outdoor environment, use IP65- (or higher) rated power and data cable.
 - Replace and secure IP-rated protective covers to all power, data, USB, or other ports when not in use.
 - Use a safety cable when mounting this product overhead.
 - Connect this product to a grounded and protected circuit.
- **DO NOT:**
 - Open this product. It contains no user-serviceable parts.
 - Look at the light source when the product is on.
 - Leave any flammable material within 1 m of this product while operating or connected to power.
 - Connect this product to a dimmer or rheostat.
 - Operate this product if the housing, lenses, or cables appear damaged.
 - Submerge this product (adhere to standards for the published IP rating). Regular outdoor operation is fine.
 - Permanently install outdoors in locations with extreme environmental conditions. This includes, but is not limited to:
 - Exposure to a marine/saline environment (within 3 miles of a saltwater body of water).
 - Locations where normal temperatures exceed the temperature ranges in this manual.
 - Locations that are prone to flooding or being buried in snow.
 - Other areas where the product will be subject to extreme radiation or caustic substances.
 - **ONLY** use the hanging/mounting bracket to carry this product.
 - The maximum ambient temperature is 113 °F (45 °C). Do not operate this product at higher temperatures.
 - The minimum startup temperature is -4°F (-20°C). Do not start the product at lower temperatures.
 - The minimum ambient temperature is -22°F (-30°C). Do not operate the product at lower temperatures.
 - To eliminate unnecessary wear and improve its lifespan, during periods of non-use completely disconnect the product from power via breaker or by unplugging it.
 - In the event of a serious operating problem, stop using immediately.



If this Chauvet product requires service, contact Chauvet Technical Support.

Before You Begin

FCC Statement of Compliance

This device complies with Part 15 Part B of the FCC rules. Operation is subject to the following two conditions:

1. This device may not cause harmful interference, and
2. This device must accept any interference received, including interference that may cause undesired operation.

This equipment has been tested and found to comply with the limits for a Class B digital device, pursuant to Part 15 of the FCC Rules. These limits are designed to provide reasonable protection against harmful interference in a residential installation. This equipment generates uses and can radiate radio frequency energy and, if not installed and used in accordance with the instructions, may cause harmful interference to radio communications. However, there is no guarantee that interference will not occur in a particular installation. If this equipment does cause harmful interference to radio or television reception, which can be determined by turning the equipment off and on, the user is encouraged to try to correct the interference by one or more of the following measures:

- Reorient or relocate the receiving antenna.
- Increase the separation between the equipment and receiver.
- Connect the equipment into an outlet on a circuit different from that to which the receiver is connected.
- Consult the dealer or an experienced radio/TV technician for help.

Any changes or modifications not expressly approved by the party responsible for compliance could void the user's authority to operate the equipment.

Expected LED Lifespan

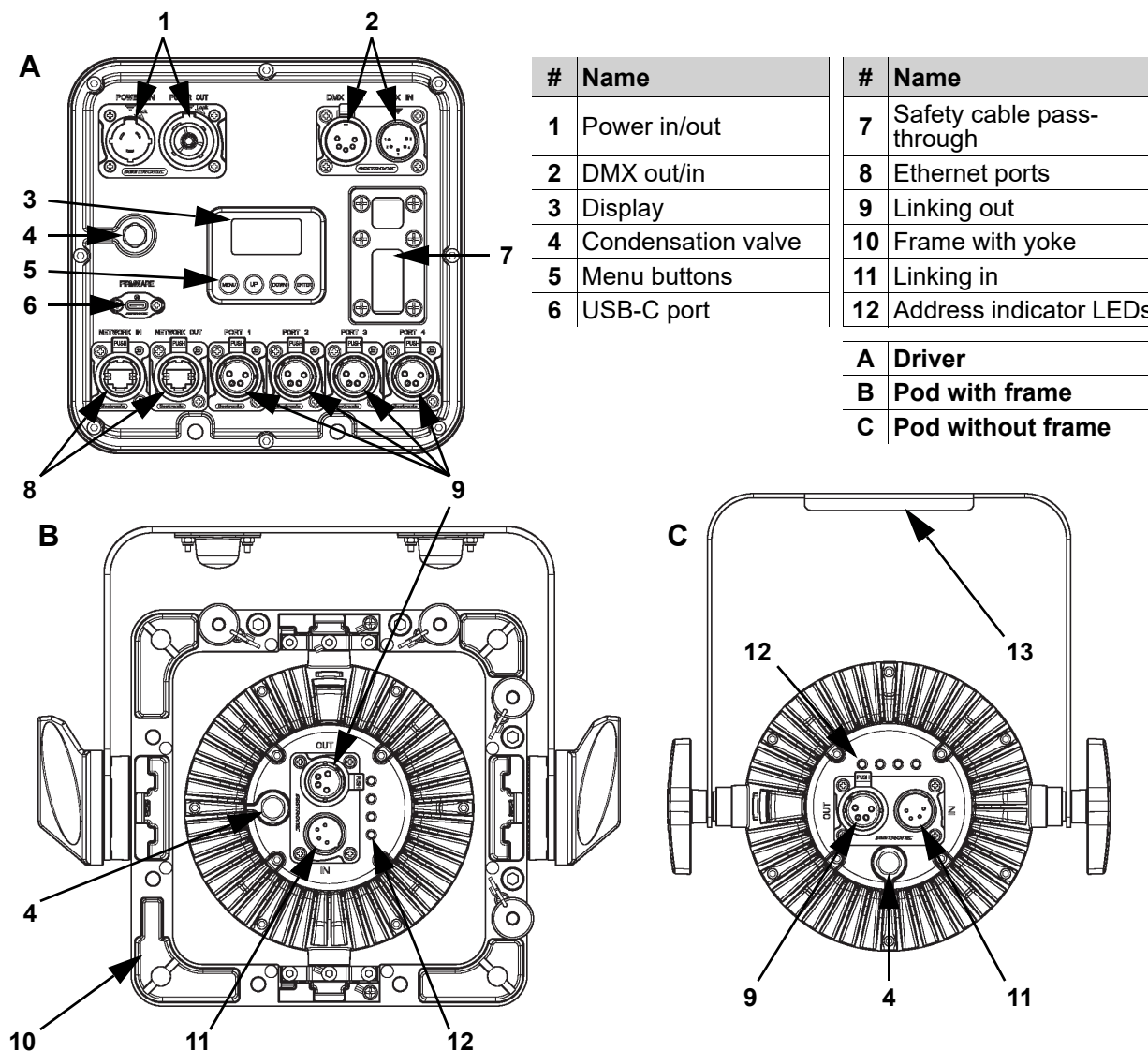
Over time, use and heat will gradually reduce LED brightness. Clustered LEDs produce more heat than single LEDs, contributing to shorter lifespans if always used at full intensity. The average LED lifespan is 40,000 to 50,000 hours. To extend LED lifespan, maintain proper ventilation around the product, and limit the overall intensity.

2. Introduction

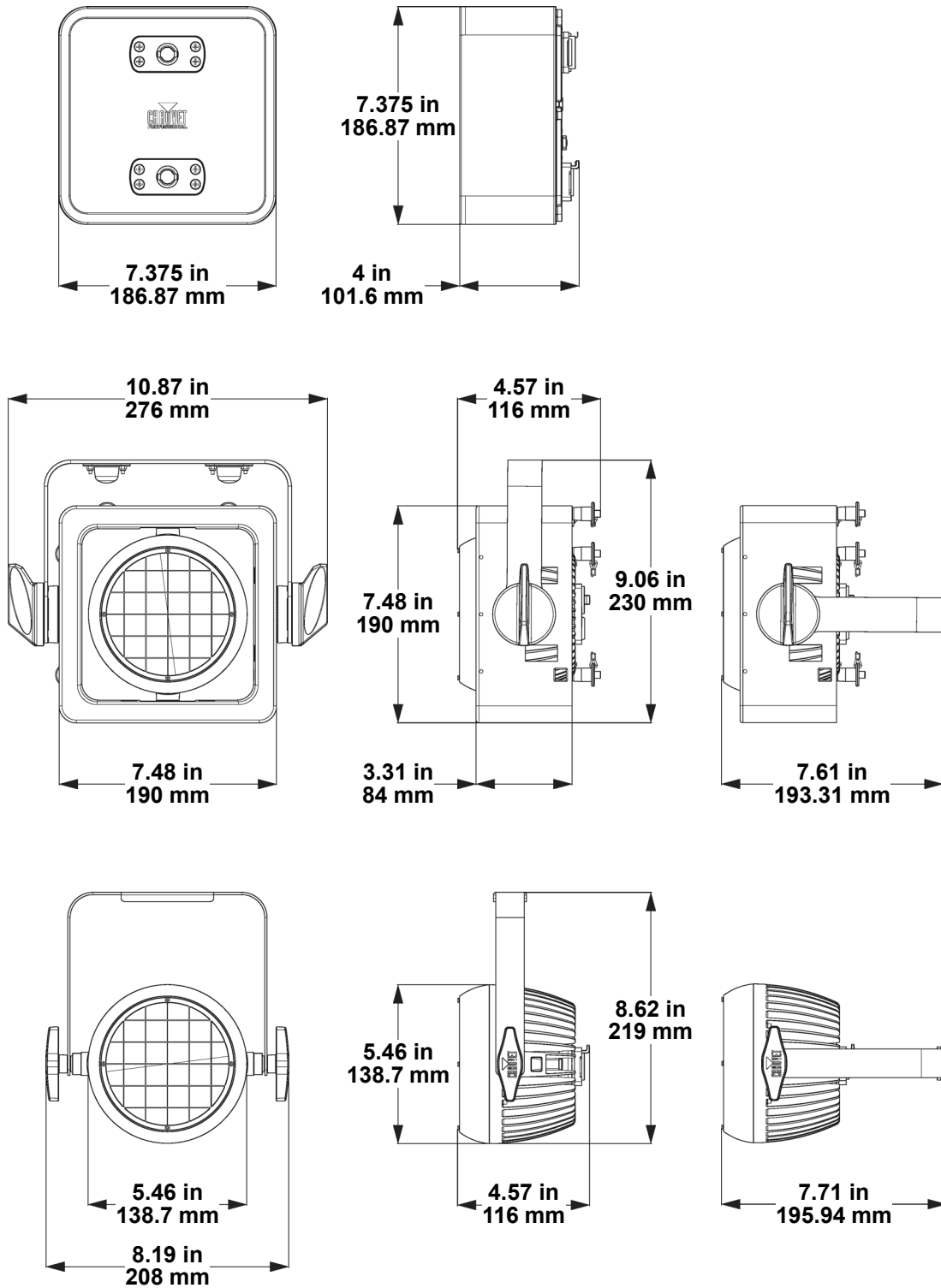
Features

- Intense, stacking blinder/strobe rated IP65 for all-weather use
- Remote driver unit with automatic addressing of up to 8 pods for clean installations
- Heads are removable from the frame and can be mounted in standard (included) yoke for a more traditional look
- Emulated “red shift” to mimic incandescent fixtures perfectly
- Manual pan (or tilt, depending on mount orientation) of each head to allow for directional adjustment of light output
- Innovative interlocking system to connect multiple fixtures together

Product Overview



Product Dimensions



3. Setup

AC Power

The STRIKE Array 1 Driver has an auto-ranging power supply and it can work with an input voltage range of 100 to 240 VAC, 50/60 Hz.

To determine the product's power requirements (circuit breaker, power outlet, and wiring), use the current value listed on the label affixed to the product's back panel, or refer to the product's specifications chart.

The listed current rating indicates the product's average current draw under normal conditions.



- **Always connect the product to a protected circuit (a circuit breaker or fuse). Ensure the product has an appropriate electrical ground to avoid the risk of electrocution or fire.**
- **To eliminate unnecessary wear and improve its lifespan, during periods of non-use completely disconnect the product from power via breaker or by unplugging it.**



Never connect the product to a rheostat (variable resistor) or dimmer circuit, even if the rheostat or dimmer channel serves only as a 0 to 100% switch.

AC Plug

The STRIKE Array 1 comes with a power input cable terminated with a Seetronic Powerkon A connector on one end and an Edison plug on the other end (U.S. market). If the power cable which came with the product has no plug, or if it is necessary to change the plug, use the table below to wire a plug.

Connection	Wire (U.S.)	Wire (Europe)	Screw Color
AC Live	Black	Brown	Yellow or Brass
AC Neutral	White	Blue	Silver
AC Ground	Green/Yellow	Green/Yellow	Green

Power Linking

It is possible to power link STRIKE Array 1 Driver products. See the table below for the current draw at each voltage and frequency:

	100 V, 60 Hz	120 V, 60 Hz	208 V, 60 Hz	230 V, 50 Hz	240 V, 50 Hz
Current Draw (4 Pods)	2.57 A	2.13 A	1.21 A	1.09 A	1.04 A
Current Draw (8 Pods)	5.14 A	4.22 A	2.38 A	2.14 A	2.04 A

Never exceed 12 A on a single circuit. Power-linking cables can be purchased separately.

USB Software Update

The STRIKE Array 1 allows for a software update through USB using the built-in USB port. To update the software using a USB flash drive, do the following:

1. Power on the product and plug the flash drive into the USB port.
2. Once the flash drive has been detected, the message “**Upgrade Firmware**” will be displayed. Press <ENTER>.
 - If a different message appears on the display, search for the updated software in the menu (**Update Firmware**) and select from **Only This Fixture**, **Multiple Fixture**, **Other Fixture Type**, or **Fixture to Fixture**. A list of the software update files will be displayed.



The “**Other Fixture Type**” option under **Upgrade Firmware** can only be selected for connected products compatible with the Upload 03 (the first 2 digits of the item code must be 03).

- See [Fixture To Fixture Software Update](#) for the **Fixture to Fixture** software update process.
3. Select the file that needs to be uploaded. The message “**Are you sure?**” will be displayed. Press <ENTER>.



If the selected file is incorrect, the upgrade will fail, and the display will go back to the main interface. Repeat steps 1-3 using the correct file.

4. If the selected file is correct, the update will start. DO NOT turn off power or disconnect the USB during the process. The USB update can take several minutes to complete.
5. When the update is complete, the product will automatically reboot.
6. Go to the **Information** level of the product menu map and confirm the firmware revision.
7. When the boot-up process is finished, restart the product.



- Place the .chl file in the root directory of the USB drive.
- The product’s USB port supports up to 32GB capacity and only works with FAT32 file format.



Turning off the power, removing the DMX cable, or not setting the fixture to the correct protocol during the update can cause partial or total software failure in the targeted fixture. The user will need an Upload 03 device to fix the software failure issues. Please contact Chauvet customer service for this device.

Fixture To Fixture Software Update

The STRIKE Array 1 allows for a software update through a DMX cable from one STRIKE Array 1 Driver to another. To update the software using a DMX cable connection, follow the instructions below:

1. Power on the products.
2. Connect the DMX out of the STRIKE Array 1 Driver with the latest software to the DMX in of the STRIKE Array 1 Driver that needs to be updated.
3. Go to the **Update Firmware** main level of the receiving product.
4. Select the **Fixture To Fixture** option.
5. A warning “**make sure no other signal, Network or DMX controller is being sent! and press enter key to start update**” will show on the display. Press <ENTER> to start the update.



- DO NOT turn off the power or disconnect the DMX cable during the process. The update can take several minutes to complete.
- If the connected product is incorrect or has the incorrect software, the upgrade will fail, and the display will go back to the main interface. Repeat steps 1-5 using a STRIKE Array 1 Driver with valid software.

6. If the connected product is valid, the update will start. DO NOT turn off power or disconnect the DMX cable during the process. The update can take several minutes to complete.
7. When the update is complete, the product will automatically reboot.
8. Go to the **Information** level of the product main menu and confirm the software update.



- When updating software using **Fixture To Fixture**, make sure no other DMX signals or Ethernet signals are connected to the products.
- Turning off the power, removing the DMX cable, or not setting the fixture to the correct protocol during the update can cause partial or total software failure in the targeted fixture. The user will need an Upload 03 device to fix the software failure issues. Please contact Chauvet customer service for this device.

Signal Connections

The STRIKE Array 1 can receive a DMX, Art-Net™, or sACN signal. The product has 2 Seetronic Etherkon through ports and 5-pin DMX in and out ports. If using other compatible products with this product, it is possible to control each individually with a single controller.

Control Personalities

The STRIKE Array 1 uses a 5-pin DMX data connection, Art-Net™, or sACN for its 13 control personalities, ranging from **1 Ch** to **8P–46Ch**.

- Refer to the [Operation](#) chapter to learn how to configure the STRIKE Array 1 to work in these personalities.
- The [DMX Channel Assignments and Values](#) section provides detailed information regarding the control personalities.



For more information about DMX standards or the DMX cables needed to link this product to a DMX controller, download the DMX Primer from the Chauvet website: www.chauvetprofessional.com.

DMX Linking

It is possible to link the STRIKE Array 1 to a DMX controller using a 5-pin DMX connection. For more information about DMX, read the DMX primer at:

https://www.chauvetprofessional.com/wp-content/uploads/2016/06/DMX_Primer.pdf.

Remote Device Management

Remote Device Management, or RDM, is a standard for allowing DMX-enabled devices to communicate bi-directionally along existing DMX cabling. Check the DMX controller's User Manual or with the manufacturer as not all DMX controllers have this capability. The STRIKE Array 1 supports RDM protocol that allows feedback to make changes to menu map options.

Art-Net™ Connection

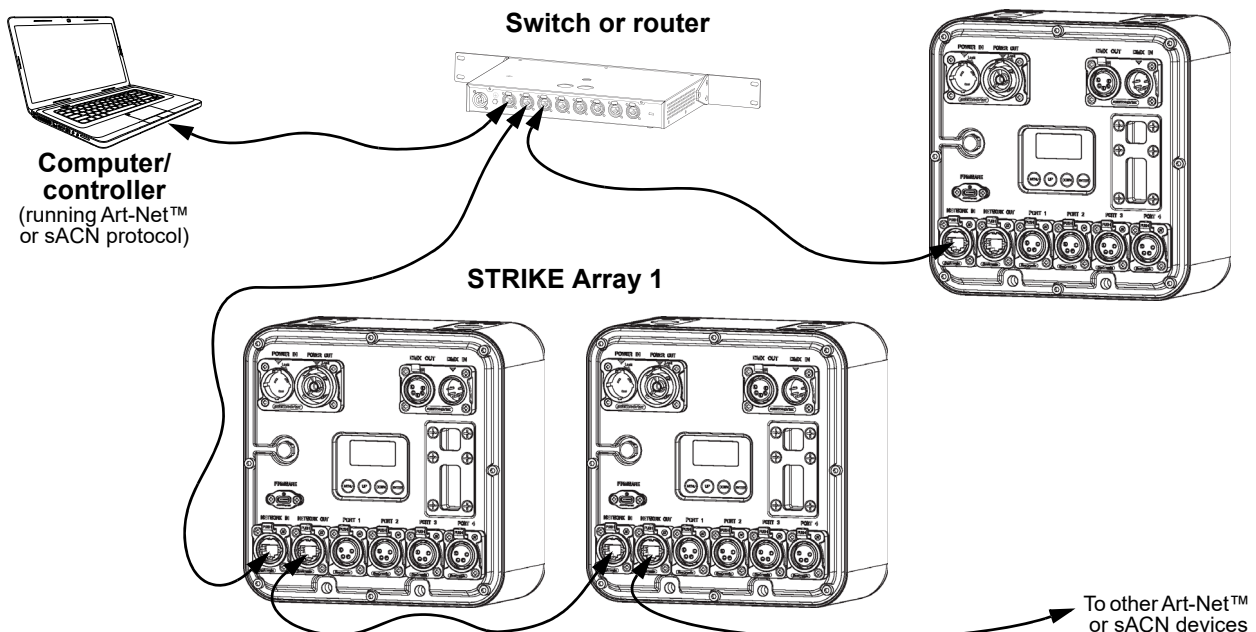
Art-Net™ is an Ethernet protocol that uses TCP/IP which transfers a large amount of DMX512 data using an ethernet connection over a large network. An Art-Net™ protocol document is available from www.chauvetprofessional.com.

Art-Net™ designed by and copyright Artistic Licence Holdings Ltd.

sACN Connection

Also known as ANSI E.1.31, streaming ACN is an Ethernet protocol that uses the layering and formatting of Architecture for Control Networks to transport DMX512 data over IP or any other ACN compatible network.

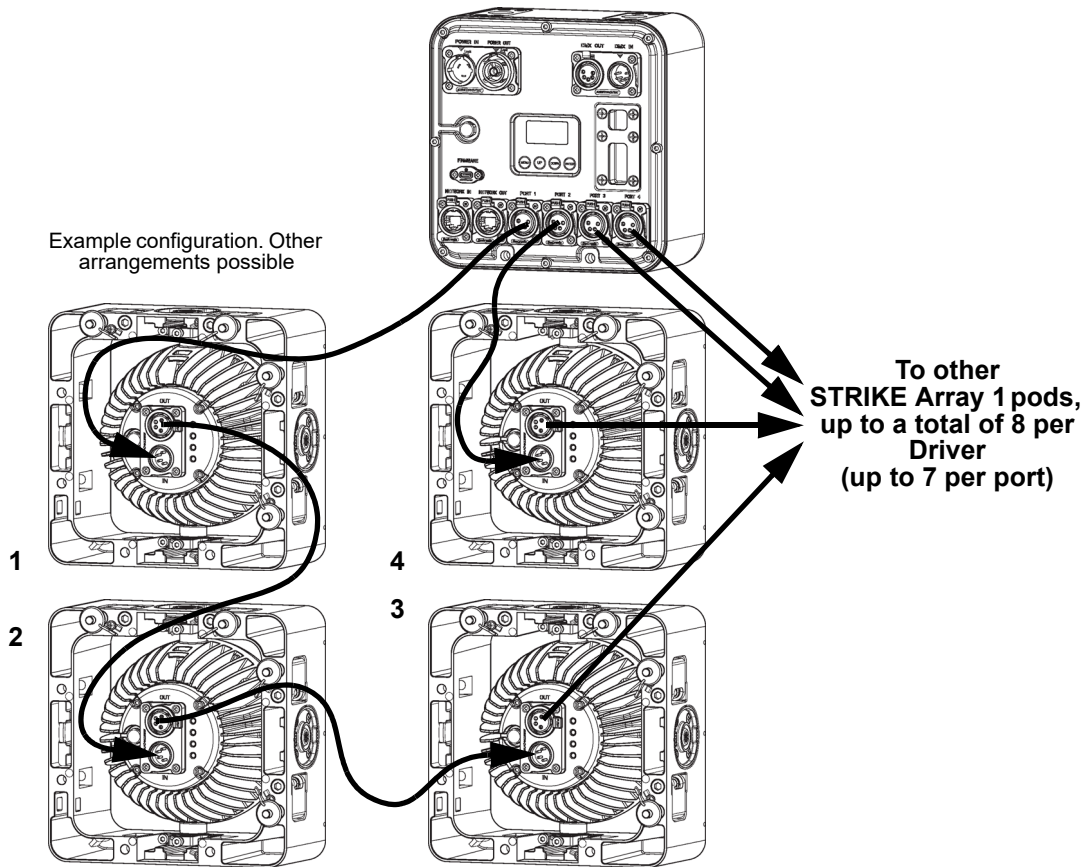
Ethernet Connection Diagram



Setup

Pod and Driver Linking

Each STRIKE Array 1 Driver has 4 linking out ports which can each support up to 7 STRIKE Array 1 pods, up to a total of 8 STRIKE Array 1 pods per Driver in any configuration between the linking out ports.



Pod Addressing

STRIKE Array 1 pods come without an assigned address. It is necessary to address new pods before use. A prompt to address the connected pods will appear when the STRIKE Array 1 Driver is powered on.

- Select **Yes** to address or re-address all connected pods.
- Select **No** or wait for the prompt to disappear to keep the current addressing.



Alternative ways to re-address the pods are:

- **Go to the Address PODs main level and select Yes (see [Re-Address Pods](#)).**
- **Set the DMX Control channel from 096 ⇔ 103 (this function will repeat if the channel value remains in this range).**

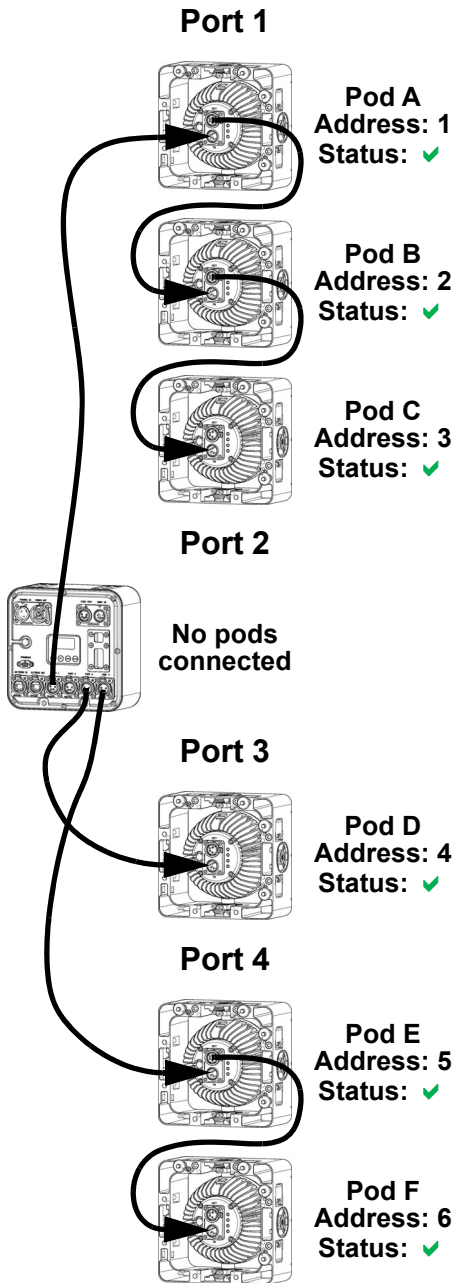
Upon addressing or re-addressing, the address of each connected pod will be in order of port first and link order second.

- The Driver will address all pods connected to port 1 before any pods connected to port 2. The Driver will address all pods connected to port 2 before any pods connected to port 3. The Driver will address all pods connected to port 3 before any pods connected to port 4.
- The pod connected first to a given port will have the lowest available address for that port. The next pod connected to that port will have the next address, and so on.
- If a port has no connected pods, addressing will skip that port. Addressing will begin with the first pod connected to the first port with connected pods.

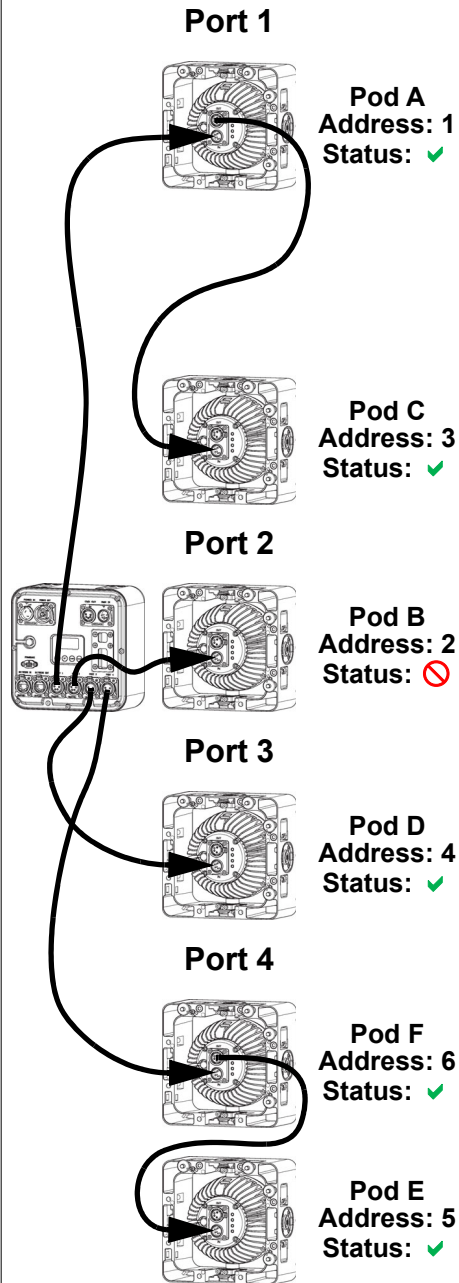
When disconnecting and reconnecting pods without performing a re-address, the pods will retain their assigned addresses.

- Re-arranging the pods connected to the same port will not change the addresses. They will respond in the same order as they did before the re-arranging as if there was no change.
- Connecting an addressed pod to a different port will disable it. A re-address will be necessary to restore function.

**Addressing Diagram
Upon Addressing**



Re-Arranged without Re-Addressing



Changes:

Remove one pod from chain. Addresses do not change. Pods function as before.

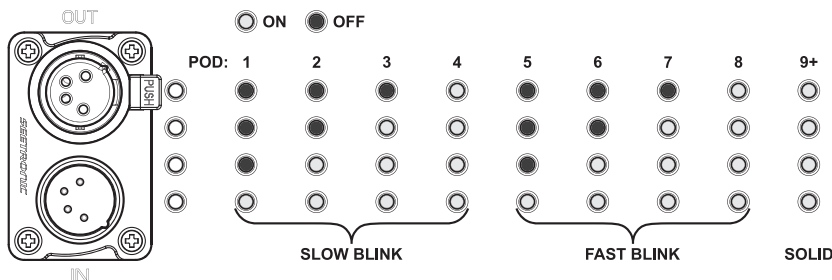
Move one pod to another port. Address does not change. Pod not functional. Re-address required. (Re-address affects all connected pods.)

No change. Address does not change. Pod functions as before.

Change connected pod order for one port. Addresses do not change. Pods function as before.

Pod LED Indicators

The LED indicators on each STRIKE Array 1 pod display the assigned address of the pod.



If all indicators on a pod are on and not blinking, that pod exceeds the capacity of the connected driver and will not function

Setup

Mounting

Before mounting the product, read and follow the safety recommendations indicated in the [Safety Notes](#).

Orientation

Always mount this product in a safe position, making sure there is adequate room for ventilation, configuration, and maintenance.

Rigging

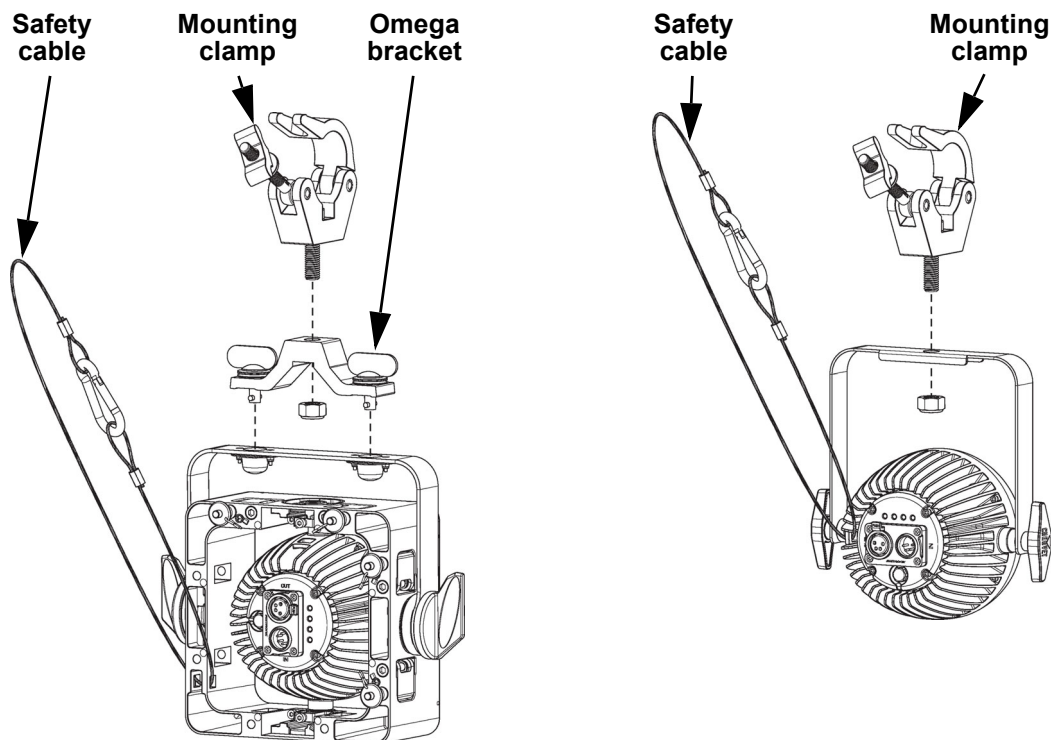
Chauvet recommends using the following general guidelines when mounting this product.

- Before deciding on a location for the product, make sure there is easy access to the product for maintenance and programming purposes.
- Make sure that the structure and attachment points can support the weight before hanging the product. See the [Technical Specifications](#) for weight information.
- When mounting the product overhead, always use a safety cable. Mount the product securely to a rigging point, whether an elevated platform or a truss.
- When rigging the product onto a truss, use a mounting clamp of appropriate weight capacity.

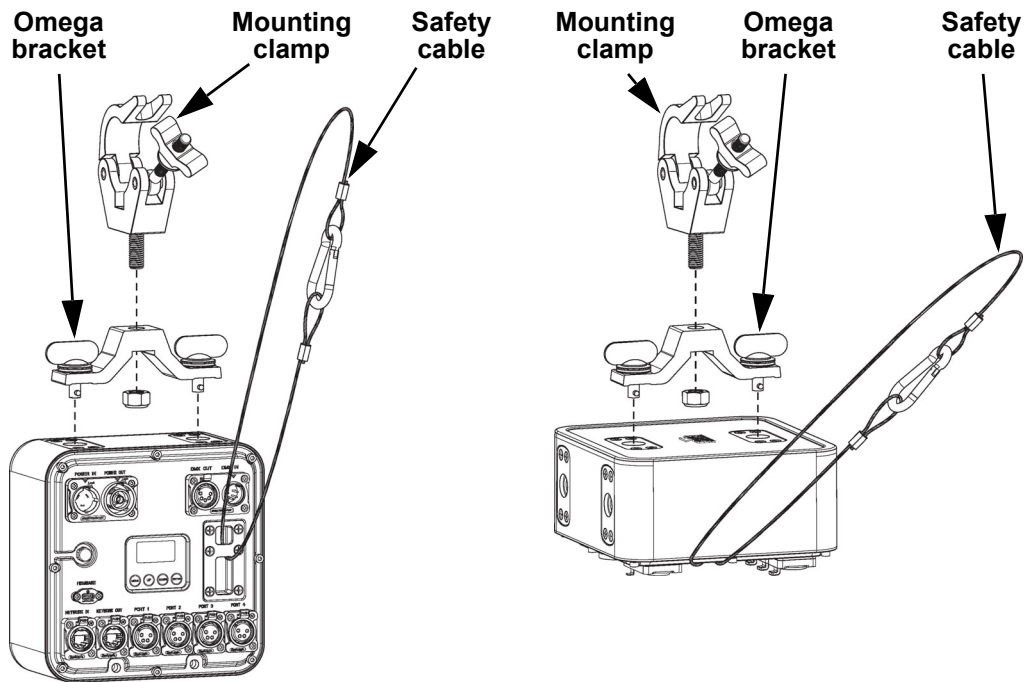
Procedure

The STRIKE Array 1 comes with 5 Omega brackets. The user can directly attach a mounting clamp to these Omega brackets. Make sure the clamp is capable of supporting the weight of this product. For the Chauvet Professional line of mounting clamps, go to <http://www.trusst.com/products>.

Mounting Diagram



Driver Mounting Diagram

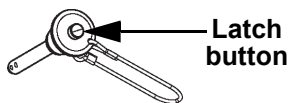


Multi-Product Mounting

The STRIKE Array 1 has an interlocking system to connect multiple STRIKE Array 1, STRIKE Array 2C, or STRIKE Array 4C products together, vertically or horizontally.

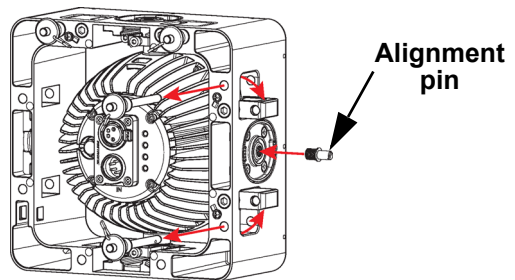
Multi-Product Mounting Diagram

Press and hold the latch button to remove or insert the retaining pins



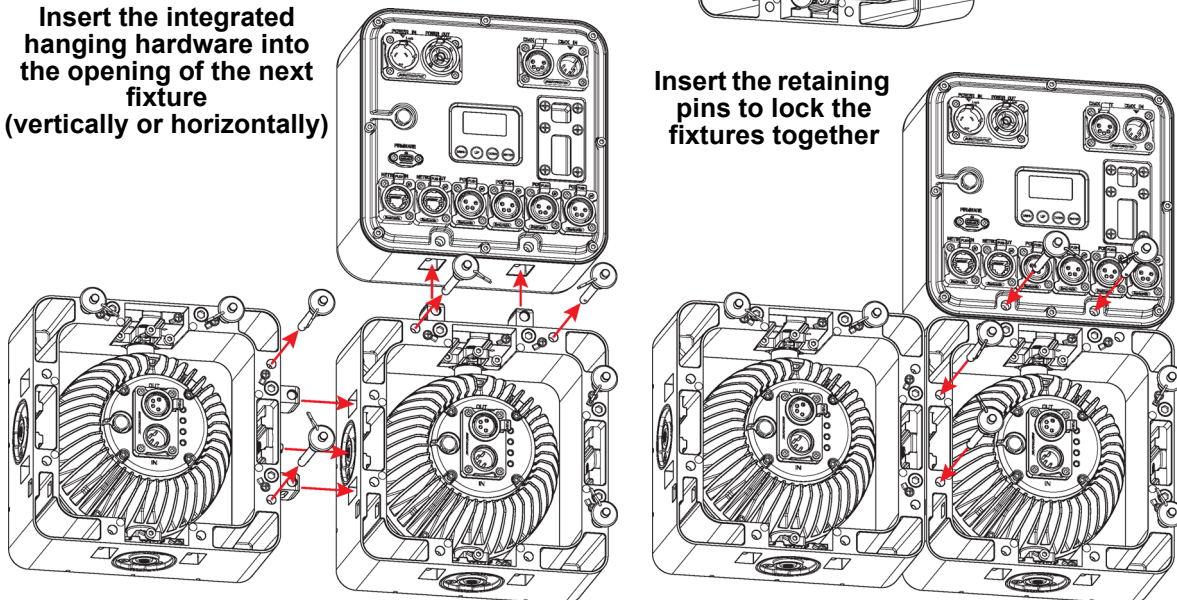
Remove the retaining pins to release the integrated hanging hardware

Install alignment pin with a flathead screwdriver

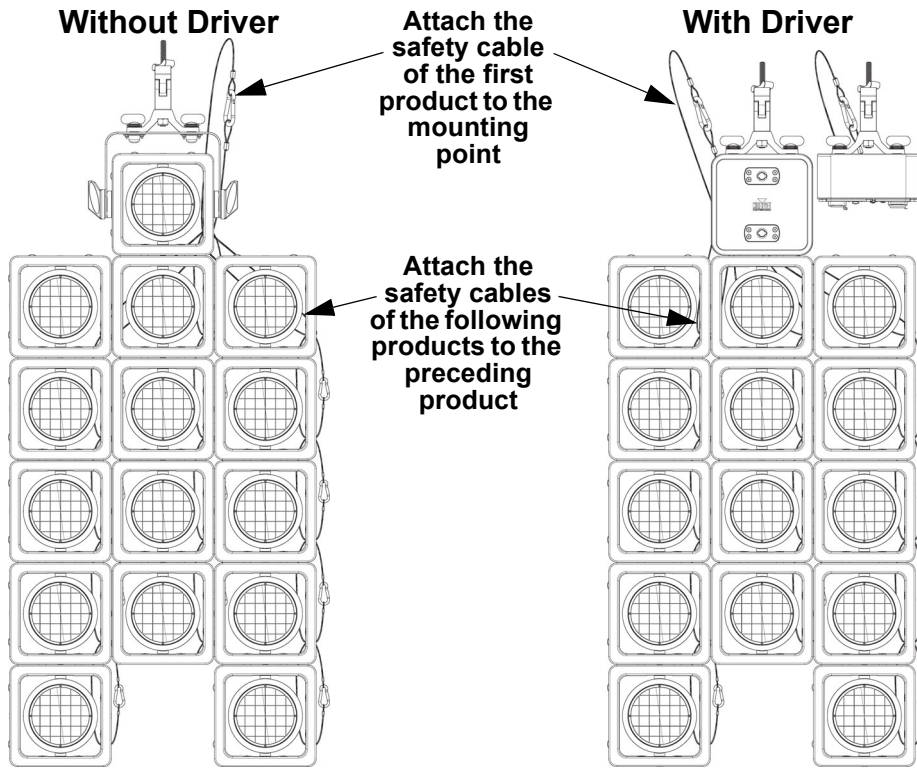


Insert the integrated hanging hardware into the opening of the next fixture (vertically or horizontally)

Insert the retaining pins to lock the fixtures together



Mounting Products Attached in Series



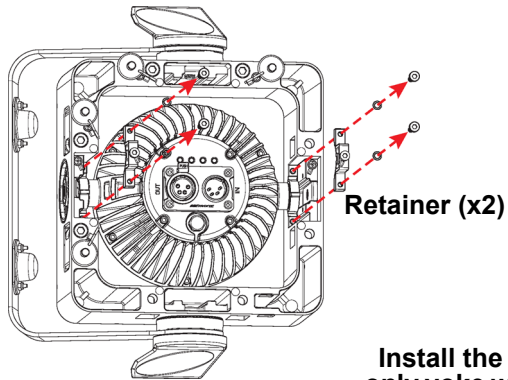
Example configurations. Other arrangements possible

The STRIKE Array 1 maximum vertical hanging load capacity is 80kg. Please refer to the chart below for the weights of individual STRIKE Array fixtures. The weights of cables and other equipment connected to or mounted on the fixtures must be accounted for when calculating the vertical hanging load.

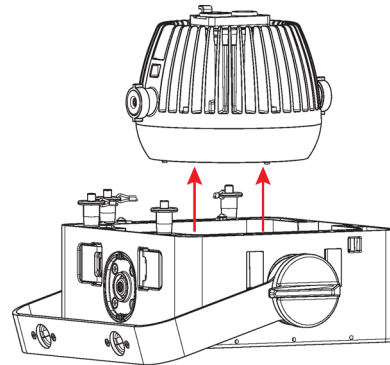
Fixture	Hanging Weight (each)
STRIKE Array 1	3.0 kg
STRIKE Array 1 Driver	2.9 kg
STRIKE Array 2	8.0 kg
STRIKE Array 4	13.0 kg
STRIKE Array 2C	9.4 kg
STRIKE Array 4C	15.4 kg
STRIKE Array Ultra	15.0 kg
STRIKE Bolt 1C	8.7kg

Switching from Frame to Head-Only Yoke

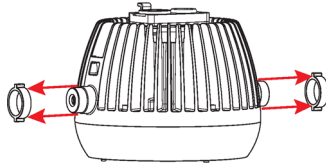
Remove 4 screws with a 3 mm hex wrench and remove the 2 retainers



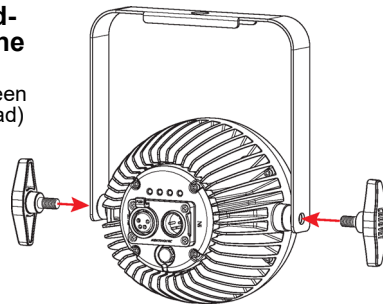
Remove the head from the frame



Remove the friction plates



Install the head-only yoke with the yoke knobs
(Place washers between the yoke and the head)



4. Operation

Control Panel Description

Button	Function
<MENU>	Exits from the current menu or function
<ENTER>	Enables the currently displayed menu or sets the currently selected value into the function
<UP>	Navigates upwards through the menu list or increases the numeric value when in a function
<DOWN>	Navigates downwards through the menu list or decreases the numeric value when in a function

Programming

Refer to the Menu Map to understand the menu options. The menu map shows the main level and a variable number of programming levels for each option.

- To go to the desired main level, press <MENU> repeatedly until the option shows on the display. Press <ENTER> to select. This will enter the first programming level for that option.
- To select an option or value within the current programming level, press <UP> or <DOWN> until the option shows on the display. Press <ENTER> to select. In this case, if there is another programming level, that first option or the selected value will show on the display.
- Press <MENU> repeatedly to exit to the previous main level.

Passcode

After being prompted to enter the passcode, press <UP>, <DOWN>, <UP>, <DOWN>, <ENTER>.

Menu Map

Refer to the STRIKE Array 1 product page on www.chauvetprofessional.com for the latest software and menu map.

Main Menu	Programming Levels		Description
Protocol	DMX512		Sets the control protocol
	Artnet		
	sACN		
DMX Address	Address	<001–512*>	Selects DMX address (*Highest channel restricted to personality chosen)
DMX Channel	1 Ch		1-channel: dimmer
	2 Ch		2-channel: dimmer, control
	5 Ch		5-channel: dimmer, strobe, automatic programs and speed, control
	4P–4Ch		4-channel: 4-pod white
	4P–5Ch		5-channel: 4-pod white, control
	4P–14Ch		14-channel: dimmer, 4-pod white, amber, and strobe, control
	4P–23Ch		23-channel: 16-bit dimmer, 4-pod 16-bit white, 16-bit amber, and strobe, control
	4P–26Ch		26-channel: 16-bit dimmer, master strobe, automatic programs and speed, 4-pod 16-bit white, 16-bit amber, and strobe, control
	8P–8Ch		8-channel: 8-pod white
	8P–9Ch		9-channel: 8-pod white, control
	8P–26Ch		26-channel: dimmer, 8-pod white, amber, and strobe, control
	8P–43Ch		43-channel: 16-bit dimmer, 8-pod 16-bit white, 16-bit amber, and strobe, control
8P–46Ch		46-channel: 16-bit dimmer, master strobe, automatic programs and speed, 8-pod 16-bit white, 16-bit amber, and strobe, control	

Main Menu	Programming Levels		Description
Static	Dimmer	<000–255>	Standalone dimmer control
	Strobe		Standalone strobe control
Auto Show	Auto 1–6	<001–100>	Selects automatic programs and auto program speed
Red Shift	On		Enables or disables red shift
	Off		
Master/Slave	Master		Standalone mode
	Slave		Slave mode
Dimmer Curve	S-Curve		Sets the dimmer curve
	Linear		
	Square		
	Inverse Square		
Dimmer Mode	Off		Instantaneous dimmer
	Dimmer 1–3		Dimmer mode, fast (1) to slow (3)
LED Frequency	600Hz		Sets the Pulse Width Modulation frequency
	1200Hz		
	2000Hz		
	4000Hz		
	6000Hz		
	25KHz		
Display Invert	No		Does not invert the display
	Yes		Inverts the display
Back Light	10S		Turns off display backlight after 10 seconds of inactivity
	30S		Turns off display backlight after 30 seconds
	2Min		Turns off display backlight after 2 minutes of
	Always On		Display backlight always on
Key Lock	On		Locks display (password: <UP>, <DOWN>, <UP>, <DOWN>, <ENTER>)
	Off		
Ethernet Setting	IP Mode	Manual	Manually set IP address
		DHCP	Network sets IP address
		Static	Product sets IP address
	Universe	000–255 (Art-net™)	Sets the Art-Net™ or sACN universe
		001–256 (sACN)	
	Start Channel	001–512	Sets the starting channel
	IP Address	____.____.____.____	Sets each IP address digit from 000–255
Ethernet To DMX	<No >		Enables/disables Ethernet to DMX
	<Yes>		
Information	Fixture Hours	<_ _ _ _ _H>	Shows total hours the product has been powered on
	LED Hours	<_ _ _ _ _H>	Shows total hours the LEDs have been powered on
	Disp Ver	<V1.0.4>	Shows current display firmware version
	Drv Ver	<V1.XX>	Shows current driver firmware version
	LED Type	< WW >	Shows LED color
	UID	21A40 _ _ _ _ _	Shows product UID

Main Menu	Programming Levels		Description
Temperature	DISP :	__ °C >	Shows driver temperature in °C
	Head 1–8:	__ °C >	Shows pod temperatures in °C
Upgrade Firmware	Only This Fixture	_____.CHL	Selects an update file for this product, or shows “No such file!”
		...	
	Multiple Fixture	_____.CHL	Selects an update file for this and connected STRIKE Array 1 products, or shows “No such file!”
		...	
Other Fixture Type	_____.CHL	Selects an update file for other connected products, or shows “No such file!”	
	...		
Fixture To Fixture	make sure no other signal, Network or DMX controller is being sent! and press enter key to start update		Downloads update file from another STRIKE Array 1 Driver via DMX.
POD Order	POD 1–8		Designates connected pods by port order
	POD 8–1		Reverses connected pod order
Address PODs	No		Does not re-address connected pods
	Yes		Re-addresses connected pods
Factory Reset	No		Resets the product to factory default settings
	Yes		

Control Configuration

Use control configurations to operate the product with a DMX, Art-Net™, or sACN controller.

Control Mode

The STRIKE Array 1 works with DMX, Art-Net™, and sACN control signals. To select the protocol:

1. Go to the **Protocol** main level.
2. Select the desired protocol, from **DMX512**, **ArtNet**, or **sACN**.



See the [Ethernet Settings](#) section for further setup of ethernet protocols (Art-Net™ or sACN).

Control Personalities

To set the control personality:

1. Go to the **DMX Channel** main level.
2. Select the personality, from **1 Ch**, **2 Ch**, **5 Ch**, **4P-4Ch**, **4P-5Ch**, **4P-14Ch**, **4P-23Ch**, **4P-26Ch**, **8P-8Ch**, **8P-9Ch**, **8P-26Ch**, **8P-43Ch**, or **8P-46Ch**.



- See the [Starting Address](#) section for the highest selectable starting address for each personality.
- Make sure that the starting addresses on the various products do not overlap.

Starting Address

Each product will respond to a unique starting address from the controller. All products with the same starting address will respond in unison. To set the starting address in DMX mode:

1. Go to the **DMX Address** main level.
2. Select the starting address (**001-512**).

Personality	Highest Address	Products per Universe
1 Ch	512	512
2 Ch	511	256
5 Ch	508	102
4P-4Ch	509	128
4P-5Ch	508	102
4P-14Ch	499	36
4P-23Ch	490	22
4P-26Ch	487	19
8P-8Ch	505	64
8P-9Ch	504	56
8P-26Ch	487	19
8P-43Ch	470	11
8P-46Ch	467	11

Operation

Ethernet Settings

The Ethernet Settings control the universe, start address (Art-Net™ or sACN), IP address, and ethernet conversion functions of the product.

IP Mode

It is possible to set the IP address of the STRIKE Array 1 manually, by the network, or to a preset static address specific to each product. To set the IP mode, follow the instructions below:

1. Go to the **Ethernet Setting** main level.
2. Select the **IP Mode** option.
3. Select the desired IP mode, from **Manual** (set the IP address with the control panel), **DHCP** (the network sets the IP address), or **Static** (a preset address specific to each product).

Universe

To assign an Art-Net™ or sACN universe to the STRIKE Array 1:

1. Go to the **Ethernet Setting** main level.
2. Select the **Universe** option.
3. Set the universe, from **000–255** (for Art-Net™) or from **001–256** (for sACN).

Start Channel

Each product will respond to a unique starting address from the controller. All products with the same starting address will respond in unison. To set the starting address in Art-Net™ or sACN mode:

1. Go to the **Ethernet Setting** main level.
2. Select the **Start Channel** option.
3. Select the starting address (**001–512**)



- See the [Starting Address](#) section for the highest selectable starting address for each personality.
- Make sure that the starting addresses on the various products do not overlap due to the new personality setting.

IP Address

To set the IP address:

1. Go to the **Ethernet Setting** main level.
2. Select the **IP Address** option.
3. Set the first value of the IP address from **000–255**.
4. Press **<ENTER>** to cycle through the 4 values of the IP address.
5. Set the other 3 values from **000–255**.
6. Press **<MENU>** to exit when the IP address is set as desired.

Ethernet to DMX

When Ethernet to DMX is active, the selected universe of the Art-Net™ or sACN signal will be converted to DMX and output through the 5-pin DMX out port.

1. Go to the **Ethernet Setting** main level.
2. Select the **Ethernet To DMX** option.
3. Select from **No** (do not convert) or **Yes** (convert).

DMX Channel Assignments and Values

Control Chart

Value	Percent/Setting	Value	Percent/Setting
000 ⇔ 007	No function	072 ⇔ 079	Dimmer mode 1 (fast)
008 ⇔ 015	Reset dimmer*	080 ⇔ 087	Dimmer mode 2
016 ⇔ 023	Red shift on	088 ⇔ 095	Dimmer mode 3 (slow)
024 ⇔ 031	Red shift off	096 ⇔ 103	Address pods in order of ports (1–8)
032 ⇔ 039	S-curve dimmer	104 ⇔ 111	Address pods in reverse order (8–1)
040 ⇔ 047	Linear dimmer	112 ⇔ 119	Re-address pods*
048 ⇔ 055	Square dimmer	120 ⇔ 243	Reserved for future use
056 ⇔ 063	Inverse square dimmer	244 ⇔ 249	Dimmer mode override (instant engage)
064 ⇔ 071	Dimmer mode off	250 ⇔ 255	No function



*Indicated functions will repeat if the channel value stays within the indicated range.

8 Pod Modes (8P–46Ch / 8P–43Ch / 8P–26Ch / 8P–9Ch / 8P–8Ch)

8	9	26	43	46	Function	Value	Percent/Setting
–	–	1	1	1	Dimmer	000 ⇔ 255	0–100%
–	–	–	2	2	Fine dimmer	000 ⇔ 255	0–100%
–	–	–	–	3	Master strobe	000 ⇔ 010 011 ⇔ 132 133 ⇔ 255	No function Strobe, slow to fast (all pods) Random strobe, slow to fast (random pods)
–	–	–	–	4	Automatic program	000 ⇔ 010 011 ⇔ 040 041 ⇔ 080 081 ⇔ 120 121 ⇔ 160 161 ⇔ 200 201 ⇔ 240 241 ⇔ 255	No function Automatic program 1 Automatic program 2 Automatic program 3 Automatic program 4 Automatic program 5 Automatic program 6 No function
–	–	–	–	5	Program speed	000 ⇔ 255	Slow to fast
1	1	2	3	6	White 1	000 ⇔ 255	0–100%
–	–	–	4	7	Fine white 1	000 ⇔ 255	0–100%
–	–	3	5	8	Amber 1	000 ⇔ 255	0–100%
–	–	–	6	9	Fine amber 1	000 ⇔ 255	0–100%
–	–	4	7	10	Strobe 1	000 ⇔ 255	0–100%
2	2	5	8	11	White 2	000 ⇔ 255	0–100%
–	–	–	9	12	Fine white 2	000 ⇔ 255	0–100%
–	–	6	10	13	Amber 2	000 ⇔ 255	0–100%
–	–	–	11	14	Fine amber 2	000 ⇔ 255	0–100%
–	–	7	12	15	Strobe 2	000 ⇔ 255	0–100%
3	3	8	13	16	White 3	000 ⇔ 255	0–100%
–	–	–	14	17	Fine white 3	000 ⇔ 255	0–100%
–	–	9	15	18	Amber 3	000 ⇔ 255	0–100%
–	–	–	16	19	Fine amber 3	000 ⇔ 255	0–100%
–	–	10	17	20	Strobe 3	000 ⇔ 255	0–100%

Operation

8	9	26	43	46	Function	Value	Percent/Setting
4	4	11	18	21	White 4	000 ⇔ 255	0–100%
–	–	–	19	22	Fine white 4	000 ⇔ 255	0–100%
–	–	12	20	23	Amber 4	000 ⇔ 255	0–100%
–	–	–	21	24	Fine amber 4	000 ⇔ 255	0–100%
–	–	13	22	25	Strobe 4	000 ⇔ 255	0–100%
5	5	14	23	26	White 5	000 ⇔ 255	0–100%
–	–	–	24	27	Fine white 5	000 ⇔ 255	0–100%
–	–	15	25	28	Amber 5	000 ⇔ 255	0–100%
–	–	–	26	29	Fine amber 5	000 ⇔ 255	0–100%
–	–	16	27	30	Strobe 5	000 ⇔ 255	0–100%
6	6	17	28	31	White 6	000 ⇔ 255	0–100%
–	–	–	29	32	Fine white 6	000 ⇔ 255	0–100%
–	–	18	30	33	Amber 6	000 ⇔ 255	0–100%
–	–	–	31	34	Fine amber 6	000 ⇔ 255	0–100%
–	–	19	32	35	Strobe 6	000 ⇔ 255	0–100%
7	7	20	33	36	White 7	000 ⇔ 255	0–100%
–	–	–	34	37	Fine white 7	000 ⇔ 255	0–100%
–	–	21	35	38	Amber 7	000 ⇔ 255	0–100%
–	–	–	36	39	Fine amber 7	000 ⇔ 255	0–100%
–	–	22	37	40	Strobe 7	000 ⇔ 255	0–100%
8	8	23	38	41	White 8	000 ⇔ 255	0–100%
–	–	–	39	42	Fine white 8	000 ⇔ 255	0–100%
–	–	24	40	43	Amber 8	000 ⇔ 255	0–100%
–	–	–	41	44	Fine amber 8	000 ⇔ 255	0–100%
–	–	25	42	45	Strobe 8	000 ⇔ 255	0–100%
–	9	26	43	46	Control	000 ⇔ 255	See the Control Chart

4 Pod Modes (4P–26Ch / 4P–23Ch / 4P–14Ch / 4P–5Ch / 4P–4Ch)

4	5	14	23	26	Function	Value	Percent/Setting
–	–	1	1	1	Dimmer	000 ⇔ 255	0–100%
–	–	–	2	2	Fine dimmer	000 ⇔ 255	0–100%
–	–	–	–	3	Master strobe	000 ⇔ 010	No function
–	–	–	–	011 ⇔ 132		Strobe, slow to fast (all pods)	
–	–	–	–	133 ⇔ 255		Random strobe, slow to fast (random pods)	
–	–	–	–	4	Automatic program	000 ⇔ 010	No function
–	–	–	–	011 ⇔ 040		Automatic program 1	
–	–	–	–	041 ⇔ 080		Automatic program 2	
–	–	–	–	081 ⇔ 120		Automatic program 3	
–	–	–	–	121 ⇔ 160		Automatic program 4	
–	–	–	–	161 ⇔ 200		Automatic program 5	
–	–	–	–	201 ⇔ 240		Automatic program 6	
–	–	–	–	241 ⇔ 255	No function		
–	–	–	–	5	Program speed	000 ⇔ 255	Slow to fast
1	1	2	3	6	White 1	000 ⇔ 255	0–100%
–	–	–	4	7	Fine white 1	000 ⇔ 255	0–100%
–	–	3	5	8	Amber 1	000 ⇔ 255	0–100%

4	5	14	23	26	Function	Value	Percent/Setting
-	-	-	6	9	Fine amber 1	000 ⇔ 255	0–100%
-	-	4	7	10	Strobe 1	000 ⇔ 255	0–100%
2	2	5	8	11	White 2	000 ⇔ 255	0–100%
-	-	-	9	12	Fine white 2	000 ⇔ 255	0–100%
-	-	6	10	13	Amber 2	000 ⇔ 255	0–100%
-	-	-	11	14	Fine amber 2	000 ⇔ 255	0–100%
-	-	7	12	15	Strobe 2	000 ⇔ 255	0–100%
3	3	8	13	16	White 3	000 ⇔ 255	0–100%
-	-	-	14	17	Fine white 3	000 ⇔ 255	0–100%
-	-	9	15	18	Amber 3	000 ⇔ 255	0–100%
-	-	-	16	19	Fine amber 3	000 ⇔ 255	0–100%
-	-	10	17	20	Strobe 3	000 ⇔ 255	0–100%
4	4	11	18	21	White 4	000 ⇔ 255	0–100%
-	-	-	19	22	Fine white 4	000 ⇔ 255	0–100%
-	-	12	20	23	Amber 4	000 ⇔ 255	0–100%
-	-	-	21	24	Fine amber 4	000 ⇔ 255	0–100%
-	-	13	22	25	Strobe 4	000 ⇔ 255	0–100%
-	5	14	23	26	Control	000 ⇔ 255	See the Control Chart

5 Ch / 2 Ch / 1 Ch

1	2	5	Function	Value	Percent/Setting
1	1	1	Dimmer	000 ⇔ 255	0–100%
-	-	2	Master strobe	000 ⇔ 010 011 ⇔ 132 133 ⇔ 255	No function Strobe, slow to fast Random strobe, slow to fast
-	-	3	Automatic program	000 ⇔ 010 011 ⇔ 040 041 ⇔ 080 081 ⇔ 120 121 ⇔ 160 161 ⇔ 200 201 ⇔ 240 241 ⇔ 255	No function Automatic program 1 Automatic program 2 Automatic program 3 Automatic program 4 Automatic program 5 Automatic program 6 No function
-	-	4	Program speed	000 ⇔ 255	Slow to fast
-	2	5	Control	000 ⇔ 255	See the Control Chart

Operation

Standalone Configuration

Static Mode

To run the STRIKE Array 1 in static mode:

1. Go to the **Static** main level.
2. Select from **Dimmer** or **Strobe**.
3. Set the selected value (**000–255**).

Auto Show

To select an automatic program:

1. Go to the **Auto Show** main level.
2. Select the desired auto program (**Auto 1–6**).
3. Set the **Speed** value (**1–100**).

Settings Configuration

Red Shift

With red shift enabled, the color temperature will warm as the dimmer decreases in imitation of a lamp. To enable or disable the red shift function:

1. Go to the **Red Shift** main level.
2. Select from **On** or **Off**.

Master/Slave

To set the STRIKE Array 1 product to master or slave mode:

1. Go to the **Master/Slave** main level.
2. Select from **Master** (sends control signal) or **Slave** (receives control signal).



- **Configure all the slave products before connecting the master to the daisy chain.**
- **Never connect a DMX controller to a DMX string configured for Master/Slave operation because the controller may interfere with the signals from the master.**
- **Do not connect more than 31 slaves to the master.**

Dimmer Curve

To set the dimmer curve:

1. Go to the **Red Shift** main level.
2. Select from **S-Curve**, **Linear**, **Square**, or **Inverse Square**.

Dimmer Speed Mode

To set the dimmer speed:

1. Go to the **Dimmer Mode** main level.
2. Select the dimmer speed mode from **Off** (instant), **Dimmer 1** (fastest), **Dimmer 2**, or **Dimmer 3** (slowest).

Pulse Width Modulation

To set the frequency of the pulse width modulation:

1. Go to the **LED Frequency** main level.
2. Select the PWM frequency, from **600Hz**, **1200Hz**, **2000Hz**, **4000Hz**, **6000Hz**, or **25KHz**.

Display Invert

To invert the display:

1. Go to the **Display Invert** main level.
2. Select from **No** (does not invert the display) or **Yes** (inverts the display).

Display Backlight

To set how long the display will stay lit without activity:

1. Go to the **Back Light** main level.
2. Select from **10S** (10 seconds), **30S** (30 seconds), **2Min** (2 minutes), or **Always On**.

Key Lock

To lock or unlock the control panel:

1. Go to the **Settings** main level.
2. Select the **Key Lock** option.
3. Select **On** (locks control panel) or **Off** (control panel stays unlocked).



When the key lock is activated, the product will prompt for the passcode in order to access the menu. The passcode is <UP>, <DOWN>, <UP>, <DOWN>, <ENTER>.

Information

To view product information, such as the number of hours the product has been on, the driver firmware, etc., go to the **Information** main level.

Temperature

To view the temperatures of the LEDs, driver boards, or the display board in °C, go to the **Temperature** main level.

Pod Order

To set whether the STRIKE Array 1 Driver addresses the pods in order with the ports or in reverse order:

1. Go to the **POD Order** main level.
2. Select **POD 1–8** (address in order with ports) or **POD 8–1** (address in reverse order).

Re-Address Pods

If at any time the port connections or connection order of the pods changes, it will be necessary to re-address the pods. To re-address the connected pods with the display menu:

1. Go to the **Address PODs** main level.
2. Select **No** (do not re-address) or **Yes** (re-address).



See [Pod Addressing](#) for more information.

Alternative ways to re-address the pods are:

- **Power cycle the Driver and select Yes at the prompt.**
- **Set the DMX Control channel from 096 ⇔ 103 (this function will repeat if the channel value remains in this range).**

Factory Reset

To reset the product to factory default settings:

1. Go to the **Factory Reset** main level.
2. Select **No** (do not reset) or **Yes** (reset).

Operation

Web Server

The STRIKE Array 1 Web Server can be accessed by any computer on the same network as the product. It allows network access to system information, settings such as control protocol and starting address, color output testing, and the ability to change the Web Server password.

1. Connect the product to a Windows computer with a network cable.
2. On the computer, set the IP address of the new network to have the same first 3 digits as the IP address of the product (See [IP Address](#)).
3. Enter the IP address of the product into the URL bar of a web browser on the computer.
4. Enter both the User Name and Password as **admin** to log in.

Home

The Web Server Home page displays the details of all available control personalities and the technical specifications for the STRIKE Array 1.

Settings

The Web Server Settings page provides options for control. From the drop-down menus, the Protocol, Universe, Start Address, IP Address, Ethernet to DMX, Personality, Dimmer Curve, Dimmer Mode, and PWM Frequency can all be edited. Click **Save Settings** to send the new configuration to the product.

Output

On the Web Server Output page, an output test of the product's LEDs can be performed, by either editing the values of each LED manually (by typing the number or moving the fader), or by selecting a sample color. The page will show the current output color on the bottom left.

Security

The Web Server Security page gives the option to change the password to the connected product's web server. Enter the old password (**admin**, by default) and the new password twice, then click **Save Settings** to change the password.

5. Maintenance

Product Maintenance

Dust build-up reduces light output performance and can cause overheating. This can lead to reduction of the light source's life and/or mechanical wear. To maintain optimum performance and minimize wear, clean each lighting product at least twice a month. However, be aware that usage and environmental conditions could be contributing factors to increase the cleaning frequency.

To clean the product, follow the instructions below:

1. Unplug the product from power.
2. Wait until the product is at room temperature.
3. Use a vacuum (or dry compressed air) and a soft brush to remove dust collected on the external surface/vents.
4. Clean all transparent surfaces with a mild soap solution, ammonia-free glass cleaner, or isopropyl alcohol.
5. Apply the solution directly to a soft, lint free cotton cloth or a lens cleaning tissue.
6. Softly drag any dirt or grime to the outside of the transparent surface.
7. Gently polish the transparent surfaces until they are free of haze and lint.



Always dry the transparent surfaces carefully after cleaning them.

Torque Measurements

To maintain the IP rating when reassembling the product, use the given torque measurements for each of the following screws and bolts:

Fixture Parts	Torque Rating (Kgf.cm)	Torque Rating (lbf.in)
Covers, Stands	10	8.6796
Sockets	6	5.20776

Vacuum Test Measurements

Use the IP Tester from Chauvet Professional to ensure the product has been reassembled correctly by following the information below:

Parameters	Values
Method	Positive
Test pressure	25 kPa
Test duration	30 seconds
PASS state leak pressure	<0.5 kPa

6. Technical Specifications

Dimensions and Weight

Parameter	Length	Width	Height	Weight
Pod with yoke	8.19 in (208 mm)	8.62 in (219 mm)	4.57 in (116 mm)	3.2 lb (1.5 kg)
Pod with frame	4.78 in (190 mm)	4.78 in (190 mm)	4.57 in (116 mm)	6.6 lb (3.0 kg)
Pod with frame + yoke	10.87 in (276 mm)	9.06 in (230 mm)	4.57 in (116 mm)	7.6 lb (3.5 kg)
Driver	7.357 in (186.87 mm)	4.00 in (101.6 mm)	7.357 in (186.87 mm)	6.4 lb (2.9 kg)

Note: Dimensions in inches are rounded.

Power

Power Supply Type	Range	Voltage Selection
Switching (internal)	100 to 240 VAC, 50/60 Hz	Auto-ranging

Parameter	100 V, 60 Hz	120 V, 60 Hz	208 V, 60 Hz	230 V, 50 Hz	240 V, 50 Hz
Consumption (4 Pods)	256 W	253 W	248 W	248 W	247 W
Operating Current (4 Pods)	2.57 A	2.13 A	1.21 A	1.09 A	1.04 A
Power linking current (Drivers, 4 Pods)	12 A (4 products)	12 A (5 products)	12 A (6 products)	12 A (11 products)	12 A (11 products)
Consumption (8 Pods)	514 W	509 W	494 W	490 W	489 W
Operating Current (8 Pods)	5.14 A	4.22 A	2.38 A	2.14 A	2.04 A
Power linking current (Drivers, 8 Pods)	12 A (2 products)	12 A (2 products)	12 A (5 products)	12 A (5 products)	12 A (5 products)

Power I/O	U.S./Worldwide	UK/Europe
Power Input Connectors	Seetronic Powerkon IP65	Seetronic Powerkon IP65
Power Output Connector	Seetronic Powerkon IP65	Seetronic Powerkon IP65
Power Cable plug	Edison	Local plug

Light Source (Per Pod)

Type	Color	Quantity	Power	Current	Lifespan
LED	Warm white	48	1.33 W	1.1 A	50,000 hours
LED	Amber	5	1.92 W	0.770 A	

Photometrics (Per Pod)

Color Temp. (Full)	CRI	Beam angle	Field angle	Illuminance @ 5 m
2657 K	83.9	62.8°	104.5°	153 lux

Thermal

Maximum External Temperature	Cooling System
113 °F (45 °C)	Convection

Control

DMX I/O Connector	Art-Net™/sACN I/O Connector	Pod I/O Connector	Channel Range
5-pin XLR	Seetronic Etherkon IP65	4-pin XLR	1, 2, 5, 4P-5CH, 4P-14CH, 4P-23CH, 4P-26CH, 8P-9CH, 8P-26CH, 8P-43, 8P-46CH

Ordering

Product Name	Item Name	Item Code	UPC Number
STRIKE Array 1	STRIKEARRAY1	03052079	781462224271



UL 1573
CSA C22.2 No. 166
E113093



Contact Us

General Information	Technical Support
Chauvet World Headquarters	
Address: 3360 Davie Rd., Suite 509 Davie, FL 33314 Voice: (954) 577-4455 Fax: (954) 929-5560 Toll Free: (800) 762-1084	Voice: (844) 393-7575 Fax: (954) 756-8015 Email: chauvetcs@chauvetlighting.com Website: www.chauvetprofessional.com
Chauvet U.K.	
Address: Pod 1 EVO Park Little Oak Drive, Sherwood Park Nottinghamshire, NG15 0EB UK Voice: +44 (0) 1773 511115 Fax: +44 (0) 1773 511110	Email: UKtech@chauvetlighting.eu Website: www.chauvetprofessional.eu
Chauvet Benelux	
Address: Vaartlaan 9 9800 Deinze Belgium Voice: +32 9 388 93 97	Email: BNLtech@chauvetlighting.eu Website: www.chauvetprofessional.eu
Chauvet France	
Address: 3, Rue Ampère 91380 Chilly-Mazarin France Voice: +33 1 78 85 33 59	Email: FRtech@chauvetlighting.fr Website: www.chauvetprofessional.eu
Chauvet Germany	
Address: Bruno-Bürgel-Str. 11 28759 Bremen Germany Voice: +49 421 62 60 20	Email: DEtech@chauvetlighting.de Website: www.chauvetprofessional.eu
Chauvet Mexico	
Address: Av. de las Partidas 34 - 3B (Entrance by Calle 2) Zona Industrial Lerma Lerma, Edo. de México, CP 52000 Voice: +52 (728) 690-2010	Email: servicio@chauvet.com.mx Website: www.chauvetprofessional.mx

Warranty & Returns

For warranty terms and conditions and return information, please visit our website.

For customers in the United States and Mexico: www.chauvetlighting.com/warranty-registration.

For customers in the United Kingdom, Republic of Ireland, Belgium, the Netherlands, Luxembourg, France, and Germany: www.chauvetlighting.eu/warranty-registration.