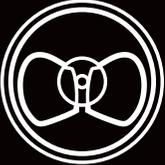


THE SHAPE OF THINGS TO COME

 **CDD**<sup>TM</sup>  
COAXIAL DIFFERENTIAL DISPERSION SERIES



**Unite Your Audience**  
The Martin Audio Experience





## THE SHAPE OF THINGS TO COME

Martin Audio brings engineering innovation to installed sound with the all-new CDD™ Series — combining distinctive curved enclosures with unique Coaxial Differential Dispersion™ technology to deliver class-leading performance, fidelity and coverage consistency to venues that demand the ultimate in cutting-edge technology and style at a commercial price that makes sense.

Whether it's a bar, an AV installation, a church or a prestige nightclub — the CDD Series has it covered. CDD is the one-stop solution with six two-way full range coaxial systems — from the micro CDD5 to the powerful CDD15 — which when complemented by high-performance SX Series subwoofers able cover practically all install applications. Weather Resistant and Marine grade variants to CDD extends those applications even further.

The CDD Series has the audience covered too. Coaxial Differential Dispersion technology delivers more consistent audience coverage than systems with fixed dispersion  $X^\circ \times Y^\circ$  horns — projecting more output to the rear of the audience to distribute sound evenly front-to-back, while having wide horizontal coverage close-up. This increased coverage area can reduce the speaker count in larger installations by up to 25% thereby significantly reducing total installation cost of a project.

Visually-appealing enclosure design is a signature of the CDD Series. The full-range enclosures can be used in either horizontal or vertical orientation, with rotation of the coaxial driver easily accomplished by removing the screw-free, protective grille. The curved shape of each full-range enclosure allows it to be discreetly mounted close to a wall or ceiling.

In summary, architects are happy with the discreet design and often fewer speakers; system integrators are happy as they can provide exemplary coverage for spaces and competitive tenders that increases the number of jobs that can be won; and the quality of coverage and consistency not only delights the client but also their clientele. No wonder, CDD is the shape of things to come.



Top-left – Burger & Lobster Bar and Grill. Right – White Water Rafting Centre.  
Bottom-left – Edenton United Methodist Church. Bottom-centre – Tiger Tiger Nightclub.



Left – Faith Free Will Baptist Church.  
Top – Tiger Niger Nightclub.  
Bottom – Plopsa Land Amusement Park.

## CDD FEATURES

---

- Versatile, passive, two-way systems
- Coaxial 'point source' performance
- Differential Dispersion™ technology for consistent coverage
- Sleek and discreet enclosures
- User-rotatable coaxial drive units
- Vertical and horizontal mounting options
- Screw-free perforated steel grilles
- 8Ω nominal impedance
- Discreet mounting accessories
- Integral inserts for eyebolt suspension of CDD10, CDD12 and CDD15

## APPLICATIONS

---

- Live music clubs
- Music bars
- Nightclubs
- Bars and restaurants
- Museums and AV spaces
- Convention centres
- Hotels
- Retail outlets
- Leisure centres
- Houses of Worship



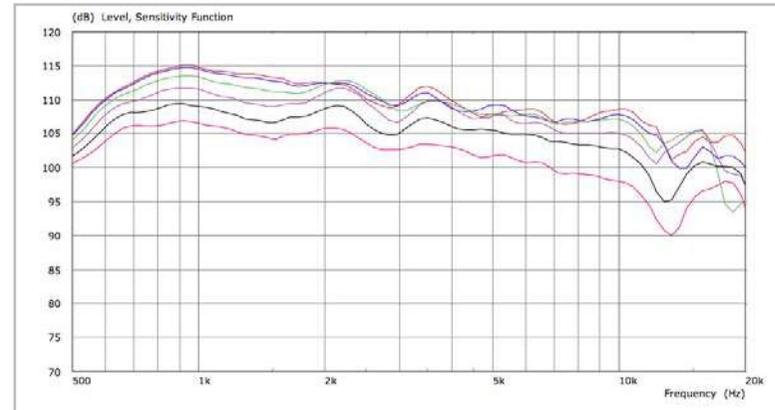
All models available in Black or White as standard.

## COAXIAL DIFFERENTIAL DISPERSION™: THE BEST OF BOTH WORLDS

CDD combines the 'point-source' benefits of coaxial designs with the consistent coverage of Differential Dispersion technology. All CDD Series full-range models feature Martin Audio's unique, patent-pending Coaxial Differential Dispersion™ technology to deliver perfect sound to every member of the audience.



• CDD12 Driver



- 0/10/20/30/40/50 degree off-axis measurements of CDD15 (wide-axis). Constant beamwidth maintained up to 20kHz.

## THE COAXIAL ADVANTAGE

Non-coaxial systems can suffer from uneven frequency response in the crossover region because the outputs of the LF and HF sections interfere with each other, causing variations off-axis, depending on the listening position. This is especially true close to the loudspeaker.

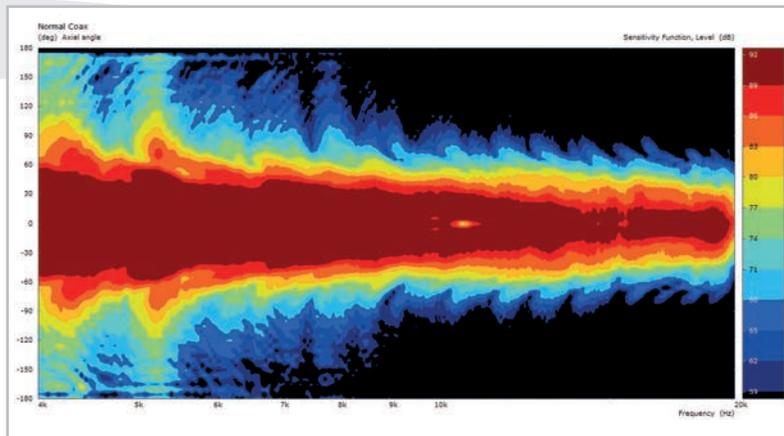
In contrast, coaxial systems can achieve 'point-source' summation of the LF and HF sections at all positions off-axis, even close-up. This is one reason that coaxial devices are often used for nearfield applications such as studio monitoring.

Significantly, until now one disadvantage of conventional coaxial devices has been high frequency beaming, where the high frequency dispersion reduces as the frequency increases. This is primarily because conventional coaxial devices channel high frequencies through a narrow tube in the pole-piece of the magnet system. CDD Series coaxial devices overcome this by incorporating an innovative static waveguide that merges seamlessly with the unique cone shape — maintaining the dispersion pattern out to very high frequencies.

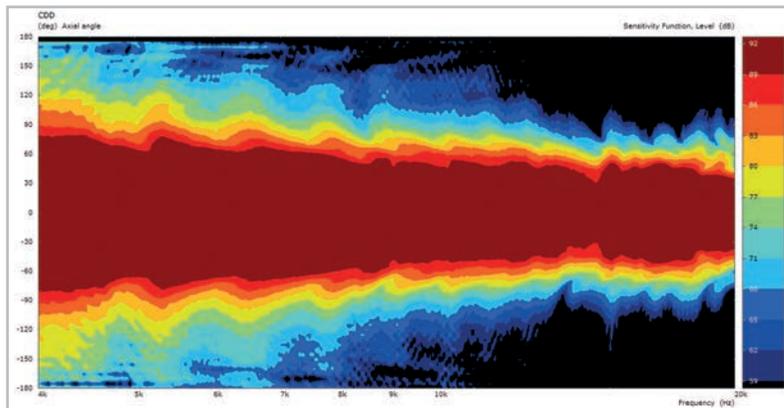
# THE DIFFERENTIAL DISPERSION™ ADVANTAGE

A Differential Dispersion horn has a 3D trapezoid dispersion pattern which covers a room more evenly than a system with a conventional, fixed-dispersion  $X^\circ \times Y^\circ$  type horn.

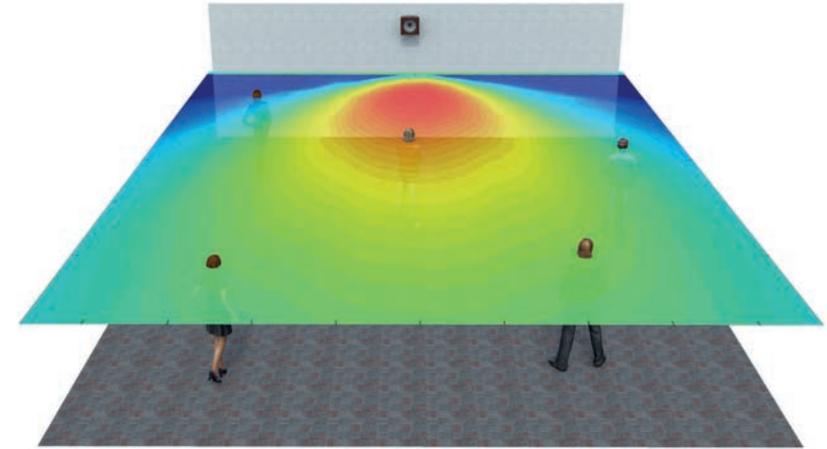
With a conventional  $X^\circ \times Y^\circ$  horn, the speaker is usually placed above head height and aimed towards the centre of the audience. This produces an imperfect coverage pattern which misses out some areas — particularly side areas close to the loudspeaker.



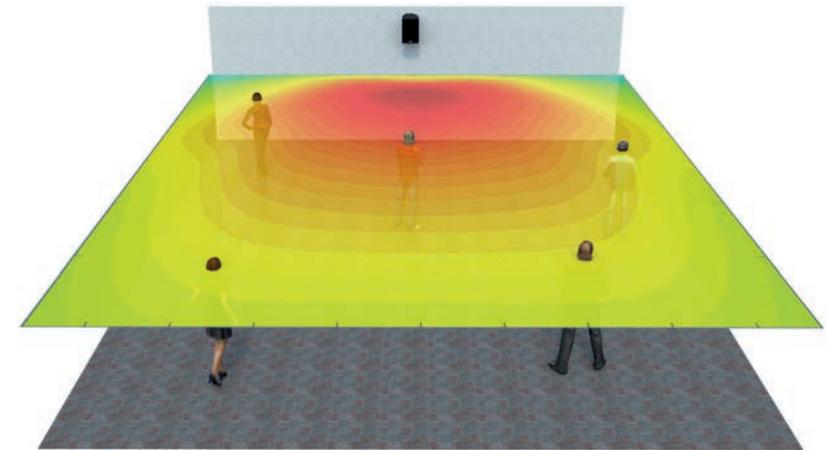
• Conventional coaxial beamwidth



• CDD beamwidth (horizontal)



• Conventional  $X^\circ \times Y^\circ$  coverage



• CDD coverage

In contrast, a CDD Coaxial Differential Dispersion system produces a rectangular coverage pattern to reach all corners of the audience, and wide horizontal coverage is achieved very close to the loudspeaker. Walking the room, the consistency in frequency response and SPL — both close to the loudspeaker and further back — is exceptional. The improved coverage close-up also means that CDD speakers can be spaced further apart in some instances, reducing overall speaker count.

## CDD FULL-RANGE SYSTEMS

CDD full-range enclosures have curved surfaces which enable them to be mounted close to ceilings and walls in both horizontal and vertical orientation. The enclosures are moulded from different materials for optimal performance and price efficiency.

CDD5 is injected moulded ABS, with CDD6 through CDD10 moulded in rigid UPM Formi — a natural fibre composite material which combines stiffness with excellent internal damping properties. CDD12 and CDD15 are now moulded using birch

plywood. All models feature sophisticated internal rib structures to reduce weight and increase rigidity, and for the CDD8 upwards, the speaker baffles are machined from birch ply.

When used with a DX controller or an iKON amplifier, enhanced DSP and FIR-based presets deliver the absolute maximum performance and fidelity, while limiter settings protect the integrity of the system.



### CDD5

The CDD5 is a two-way passive micro speaker designed for discreet positioning in architectural installations — including bars, museums, foyers, concourses, exhibition centres and HoW. It features a unique, patent-pending 5" (125mm) LF/0.7" (19mm) HF Coaxial Differential Dispersion driver in an ABS moulded enclosure and is supplied with a dedicated omni-directional mounting bracket. Its screw-free grille can be easily removed to rotate the coaxial driver for horizontal or vertical use. The CDD5TX-WR option incorporates a 70V/100V line transformer and weatherised protection.



### CDD6

The ultra-compact CDD6 is a two-way passive loudspeaker system designed to fulfil the requirement for full-frequency dynamic performance from a very small enclosure. Featuring a 6.5" (165mm) LF/1" (25mm) HF Coaxial Differential Dispersion driver, its extremely small size and sleek lines make it ideal for visibly-unobtrusive applications. It can also be used as a fill system in conjunction with larger CDD Series models and, with the addition of a SX subwoofer, can reproduce surprisingly high levels of music program. The CDD6TX-WR option incorporates a 70V/100V line transformer and weatherised protection.



### CDD8

The CDD8 is an ultra-compact two-way passive loudspeaker system with an integrated 8" (200mm) LF/1" (25mm) exit HF Coaxial Differential Dispersion driver which can be easily rotated for horizontal or vertical orientation depending on venue design requirements. Its small size gives no indication of its high output capability. As a stand-alone loudspeaker, it has a multitude of applications and can also be incorporated as an infill loudspeaker in distributed systems using larger CDD models, such as the CDD12 and CDD15. The CDD8-WR option offers weatherised protection while CDD8TX and CDD8TX-WR adds a 70V/100V transformer.

## CDD10

The CDD10 is a very compact two-way passive loudspeaker system which utilises a 10" (250mm) LF/1" (25mm) exit HF Coaxial Differential Dispersion driver. It is uniquely placed to meet the foreground requirements of music bars and clubs, as well as the varied architectural applications that require upfront sound levels from a very compact enclosure. Use with a SX118 or SX218 subwoofer will enable the CDD10 to operate as small dancefloor system that is remarkably powerful for its size. Like all CDD full-range systems, its distinctive, curved enclosure is designed for installation very close to walls and ceilings. The CDD10-WR option offers weatherised protection while CDD10TX and CDD10TX-WR adds a 70V/100V transformer.



## CDD12

The CDD12 is a compact, passive two-way system designed for installations that require high output levels. Its high-specification 12" (300mm) LF /1" exit HF Coaxial Differential Dispersion driver delivers perfect sound across the audience over medium-throw distances. The LF driver has a 2.5" (65mm) voice coil and efficient motor with an aluminium demodulating ring to minimise distortion, while the HF driver utilises a 1.75" (44mm) polyimide diaphragm and features a low-compression phaseplug to reduce non-linearity. The CDD12-WR option offers weatherised protection.



## CDD15

Ideal for medium-to-large rooms, the CDD15 is a very high-power, passive two-way system designed for installations that demand the ultimate in sonic performance from a single enclosure. It combines very high output capability with exceptional fidelity and coverage consistency. Its coaxial drive unit comprises a powerful 15" (380mm)/3" (75mm) voice coil LF driver and a 1.4" (35mm) exit HF compression driver with a 3" (75mm) pure titanium diaphragm. The CDD15-WR option offers weatherised protection.



Note: CDD Series full-range systems may be used without a controller. However, the EQ and limiter functions of a Martin Audio DX controller or an iKON amplifier will maximise their capabilities

## RECOMMENDED SUBWOOFERS

The SX range of subwoofers are the perfect complement to the CDD Series for applications that require increased low frequency output. When SX subwoofers are used with CDD full-range systems, crossover and EQ functions can either be performed by the DX0.5 or DX4.0 system controllers.



### SX110

The SX110 is an ultra-compact subwoofer designed for applications that call for increased impact and low frequency performance in a visually unobtrusive enclosure. It's very small size makes it perfectly suited to installed sound applications where space is limited such as under banquette seating. The SX110 features a 10" (250mm)/2" (50mm) voice coil driver and generously sized low frequency port for reduced air noise. The perfect partner for CDD5 or CDD6, it can be used on the ground or flown using integral M8 inserts.

The SX110 enclosure is constructed from plywood and finished in black or white textured paint as standard. An impact-resistant



### SX210

The SX210 is a slimline dual-driver subwoofer designed for situations that call for a visually unobtrusive enclosure and is perfect partner for CDD5, CDD6 or CDD8. It can be used singly, stacked or flown via integral M10 inserts and its ultra-compact size makes it ideal for applications where space is limited. It features dual 10" (250mm)/2" (50mm) voice coil drivers and generously sized low frequency ports for reduced air noise.

The SX210 enclosure is constructed from plywood and finished in black textured paint as standard. An impact-resistant perforated steel grille protects the drivers, and the enclosure has twin ergonomic handles at the rear for easy handling. Rubber feet on the base resist movement and align with recesses in the top surface to assist stacking.



### SX112

The SX112 is an ultra-compact direct radiating sub-bass system designed to extend the bandwidth and increase the headroom of CDD full-range models from the CDD5 to the CDD10. It features a very efficient 12" (300mm) long throw bass driver with a high power 3" (75mm) voice coil and generously sized reflex ports for low noise, high power operation. With a response of 48Hz-150Hz  $\pm$  3dB, the ultra-compact size of the SX112 makes it an ideal partner for CDD Series systems where space is at a premium or where the subwoofers need to be hidden. The enclosure is constructed from plywood and the driver is protected by a rigid perforated steel grille.

## SX212

With twin high-efficiency 12" (300mm)/3" (75mm) voice coil long-throw bass drivers and optimally-sized reflex ports to minimise air noise, the SX212 is the perfect sub-bass where low frequency extension and impact is required from a very compact, unobtrusive, low-profile enclosure. The SX212 is designed to be used with CDD Series full-range systems from the CDD5 to the CDD12 and extends the low frequency operating range of the combined system down to 40Hz. The enclosure is constructed from plywood and is internally-braced to reduce energy transmission to the enclosure panels and baffle. It is finished in textured paint and its perforated steel grille is pre-curved to withstand damage.



## SX118

The SX118 is a compact, high performance subwoofer that extends the low frequency operating range of a combined CDD system to 47Hz and provides exceptional low frequency output for such a compact enclosure.

SX118 features a long-excursion 18" (460mm)/4" (100 mm) voice coil driver with a water-resistant cone and triple roll surround in a compact reflex enclosure.

The design of the 18" driver maximises output while minimising power compression and distortion, and the four reflex ports have a large frontal area to reduce turbulent air noise at very high levels. The enclosure is constructed from multi-laminate birch ply, finished with a durable polyurea coating and equipped with a Zintec grille, twin grab handles, skids, flying inserts for installation. By adding the input board cover accessory, SX118 is fully weather resistant and suitable for permanent outdoor usage.



## SX218

The SX218 achieves the ultimate in subwoofer performance for the most demanding applications – delivering very high output levels and superb transient performance with minimal distortion.

With an operating range of 35Hz-150Hz  $\pm$  3dB, it houses dual 18" long-excursion (460mm)/4" (100mm) voice coil drivers with water-resistant cones and triple roll surrounds. Each driver is rated to handle 1000 watts AES, and has a magnet structure and suspension engineered for maximum linear excursion.

The enclosure is constructed from multi-laminate birch ply and finished with a durable polyurea coating. Eight reflex ports provide a large frontal area to reduce turbulent air noise, and a perforated steel grille protects the drivers from damage.

By adding the input board cover accessory, SX218 is fully weather resistant and suitable for permanent outdoor usage.



## INSTALLATION OPTIMISED

With the CDD Series, innovative technology, class-leading performance and sleek lines are complemented by versatile mounting options, ease of installation and a comprehensive range of practical mounting accessories. The curved shape of the full-range systems has been designed to enable CDD enclosures to be mounted very close to a wall or ceiling in both horizontal and vertical orientations. All brackets are weather resistant as standard.



• CDD5 ceiling bracket



• CDD5 tilt and pan landscape



• CDD6/8 wall bracket



• CDD6/8 ceiling bracket



• CDD yoke assembly

## SPECIAL COLOUR OPTIONS

CDD Series loudspeaker standard colour options are black (RAL9005) and white (RAL9016). Models supplied custom-painted in any RAL colour are by special order. Check availability on SX Series subwoofer partner products.



• CDD12 in RAL6005 moss green

## ACCESSORIES

ITEM NUMBER	DESCRIPTION
WB6/8B	CDD6/CDD8 WALL BRACKET BLACK
WB6/8W	CDD6/CDD8 WALL BRACKET WHITE
WB10/12B	CDD10/CDD12 WALL BRACKET BLACK
WB10/12W	CDD10/CDD12 WALL BRACKET WHITE
CDDCB5B	CDD5 CEILING BRACKET BLACK
CDDCB5W	CDD5 CEILING BRACKET WHITE
CDDCB6/8B	CDD6/CDD8 CEILING BRACKET BLACK
CDDCB6/8W	CDD6/CDD8 CEILING BRACKET WHITE
CDDY10B*	CDD10 YOKE ASSEMBLY BLACK
CDDY10W*	CDD10 YOKE ASSEMBLY WHITE
CDDY12B*	CDD12 YOKE ASSEMBLY BLACK
CDDY12W*	CDD12 YOKE ASSEMBLY WHITE
CDDY15B*	CDD15 YOKE ASSEMBLY BLACK
CDDY15W*	CDD15 YOKE ASSEMBLY WHITE
WB15B	CDD15 WALL BRACKET BLACK
WB15W	CDD15 WALL BRACKET WHITE

\*Note: Yoke brackets are designed for use in landscape orientation only

## EASE DATA

To assist system design and speaker placement within a venue, high-resolution GLL files for CDD Series models are downloadable from the Martin Audio website [www.martin-audio.com](http://www.martin-audio.com)

## CDD-Weatherised

CDD loudspeakers in black or white are also available in weather-resistant form. Like many on the market, CDD-WR loudspeakers are designed for outdoor operation where it will be subject to changing environmental conditions, but sheltered from direct exposure to the elements. A selection of weather resistant SX Series subwoofers are also available, please refer to the Martin Audio website.



a box for all seasons

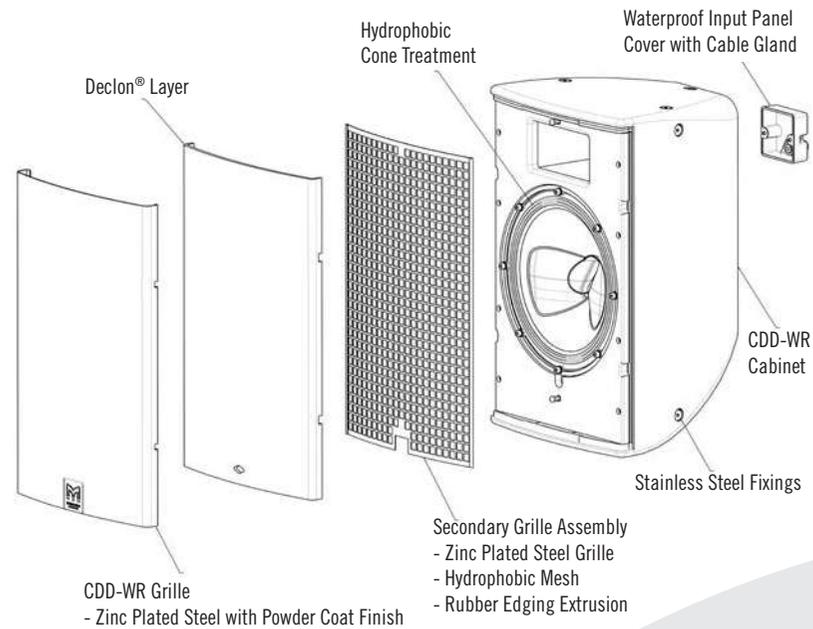
## CDD-Marine Edition

CDD is also available to custom order as a Marine variant, ideally suited to cruise ships and seaside resort applications. It takes the weatherised model and upgrades both the grille and all metal work to stainless steel 316, and for CDD12 and CDD15 marine variants the cabinet is made from UPM formi.



## CDD-WR FEATURES

- Loudspeakers feature water and particle resistant grille (zinc plated mild steel with powder coated finish)
- Operating temperature -20°C to +70°C
- Environmentally tested to meet IP54
- CDD5TX-WR and CDD6TX-WR feature dual cable gland for easy daisy-chaining of cabinets without the need for external breakout boxes
- CDD5TX-WR and CDD6TX-WR also feature 100/70v line transformer
- CDD8-WR thru CDD15-WR feature single cable gland on input cover
- CDD10-WR through CDD15-WR are flyable with fixings made from stainless steel
- Standard CDD mounting brackets are weather resistant.



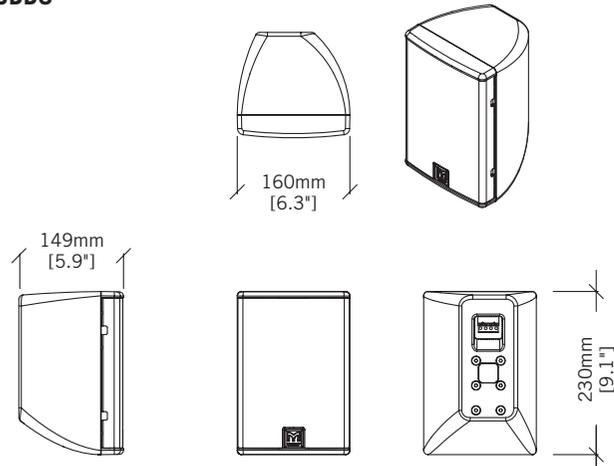
## APPLICATIONS

- Outdoor restaurants, bars and hotel areas
- Nearfield systems in outdoor stadia, transport hubs, concourses and theme parks

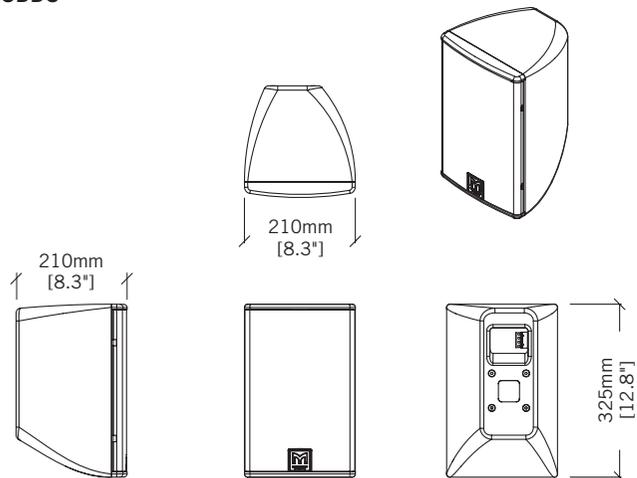


# TECHNICAL SPECIFICATIONS

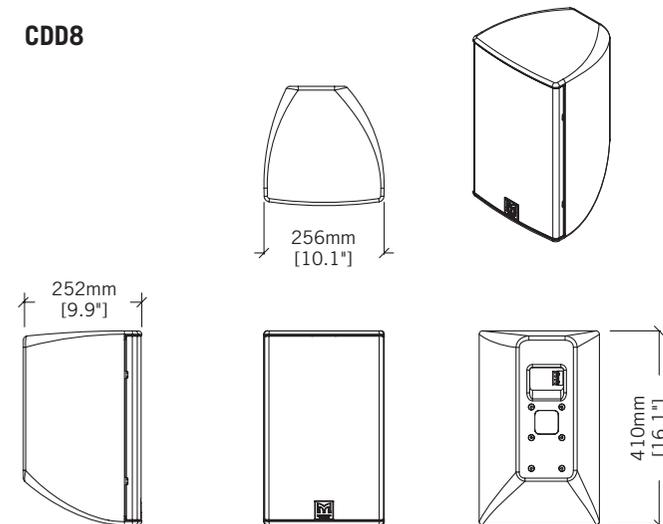
## CDD5



## CDD6



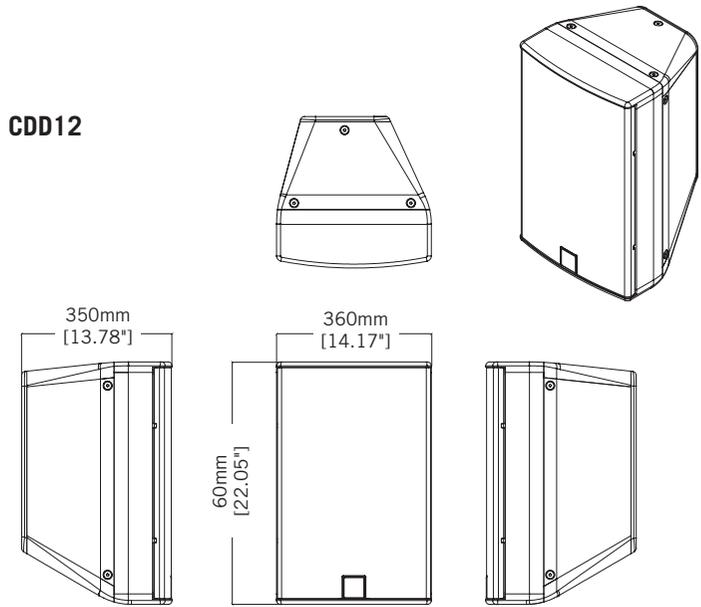
## CDD8



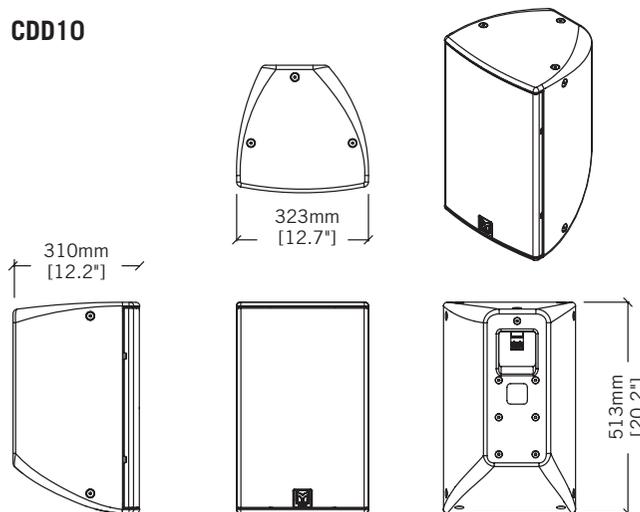
	CDD5	CDD6	CDD8
TYPE	Ultra-compact, Coaxial Differential Dispersion passive two-way system	Ultra-compact, Coaxial Differential Dispersion passive two-way system	Ultra-compact, Coaxial Differential Dispersion passive two-way system
FREQUENCY RESPONSE (5)	100Hz-20kHz ± 3dB, 10dB @ 70Hz	80Hz-20kHz ± 3dB, -10dB @ 70Hz	70Hz-20kHz ± 3dB, -10dB @ 55Hz
DRIVER	LF: 5.25" (130mm)/1.25" (32mm) voice coil, long excursion, ferrite motor system HF: 0.75" (19mm) voice coil, fabric dome with neodymium motor system	LF: 6.5" (165mm)/1.5" (38mm) voice coil, long excursion, ferrite motor system HF: 1" (25mm) voice coil, fabric dome with neodymium motor system	LF: 8" (200mm)/2" (50mm) voice coil, long excursion, shared ferrite motor system with HF HF: 1" (25mm) exit/1.4" (38mm) voice coil, polyimide dome compression driver
RATED POWER (2)	100W AES, 400W peak	150W AES, 600W peak	200W AES, 800W peak
SENSITIVITY (8)	90dB	91dB	94dB
MAXIMUM SPL (9)	110dB continuous, 116dB peak	113dB continuous, 119dB peak	117dB continuous, 123dB peak
NOMINAL IMPEDANCE	8 ohms	8 ohms	8 ohms
DISPERSION (-6dB)	120°-90° horizontal, 80° vertical (user-rotatable)	110°-80° horizontal, 80° vertical (user-rotatable)	110°-80° horizontal, 60° vertical (user-rotatable)
CROSSOVER	2.5kHz passive	2.5kHz passive	2.3kHz passive
ENCLOSURE	3 litre, ABS	9 litre, composite material	14 litre, composite material
FINISH	Black or white	Black or white textured paint	Black or white textured paint
PROTECTIVE GRILLE	Black or white perforated steel with scrim cloth backing	Black or white perforated steel with scrim cloth backing	Black or white perforated steel with scrim cloth backing
CONNECTORS	Low profile 13A push-lock	Low profile 13A push-lock	Low profile 13A push-lock
PIN CONNECTIONS	Left to right: Input+, Input -, Link -, Link +	Left to right: Input+, Input -, Link -, Link +	Left to right: Input+, Input -, Link -, Link +
FITTINGS	6 x M5 inserts for wall/ceiling brackets	4 x M6 inserts for wall/ceiling brackets	6 x M6 inserts for wall/ceiling brackets
DIMENSIONS	(W) 160mm x (H) 230mm x (D) 149mm (W) 6.3ins x (H) 9.1 ins x (D) 5.9 ins	(W) 210mm x (H) 325mm x (D) 210mm (W) 8.3ins x (H) 12.8ins x (D) 8.3ins	(W) 256mm x (H) 410mm x (D) 252mm (W) 10.1ins x (H) 16.1ins x (D) 9.9ins
WEIGHT	3kg (6.6lbs)	5.69kg (12.54lbs)	9.5kg (21lbs)
ACCESSORIES	CDDCB5B ceiling bracket black CDDCB5W ceiling bracket white ASM10001 wall bracket in white, supplied with speaker ASM10002 wall bracket in black, supplied with speaker	CDDWB6/8B wall bracket black CDDWB6/8W wall bracket white CDDCB6/8B ceiling bracket black CDDCB6/8W ceiling bracket white	CDDWB6/8B wall bracket black CDDWB6/8W wall bracket white CDDCB6/8B ceiling bracket black CDDCB6/8W ceiling bracket white

	<b>CDD10</b>	<b>CDD12</b>	<b>CDD15</b>
TYPE	Compact, Coaxial Differential Dispersion passive two-way system	Compact, high-output, Coaxial Differential Dispersion passive two-way system	High-output, Coaxial Differential Dispersion passive two-way system
FREQUENCY RESPONSE (5)	65Hz-20kHz ± 3dB, -10dB @ 55Hz	62Hz-20kHz ± 3dB, -10dB @ 50Hz	55Hz-18kHz ± 3dB, -10dB @ 45Hz
DRIVER	LF: 10" (250mm)/2.5" (63.5mm) voice coil, long excursion, shared ferrite motor system with HF HF: 1" (25mm) exit/1.4" (38mm) voice coil, polyimide dome compression driver	LF: 12" (300mm)/2.5" (63.5mm) voice coil, long excursion, shared ferrite motor system with HF HF: 1" (25mm) exit/1.7" (44mm) voice coil, polyimide dome compression driver	LF: 15" (380mm)/3" (75mm) voice coil, long excursion, shared ferrite motor system with HF HF: 1.4" (36mm) exit/3" (75mm) voice coil, titanium dome compression driver
RATED POWER (2)	250W AES, 1000W peak	300W AES, 1200W peak	400W AES, 1600W peak
SENSITIVITY (8)	96dB	97dB	100dB
MAXIMUM SPL (9)	120dB continuous, 126dB peak	122dB continuous, 128dB peak	126dB continuous, 132dB peak
NOMINAL IMPEDANCE	8 ohms	8 ohms	8 ohms
DISPERSION (-6dB)	110°-75° horizontal, 60° vertical (user-rotatable)	110°-60° horizontal, 60° vertical (user-rotatable)	100°-60° horizontal, 60° vertical (user-rotatable)
CROSSOVER	2kHz passive	1.9kHz passive	1.6kHz passive
ENCLOSURE	28 litre, composite material	38 litre, birch plywood	68 litre, birch plywood
FINISH	Black or white textured paint	Black or white textured paint	Black or white textured paint
PROTECTIVE GRILLE	Black or white perforated steel with scrim cloth backing	Black or white perforated steel with scrim cloth backing	Black or white perforated steel with scrim cloth backing
CONNECTORS	Low profile 20A push-lock	Low profile 20A push-lock	Low profile 20A push-lock
PIN CONNECTIONS	Left to right: Input+, Input -, Link -, Link+	Left to right: Input+, Input -, Link -, Link+	Left to right: Input+, Input -, Link -, Link+
FITTINGS	6 x M8 inserts for wall bracket 10 x M8 fly points	6 x M8 inserts for wall bracket 10 x M8 fly points	10 x M8 fly points
DIMENSIONS	(W) 323mm x (H) 513mm x (D) 310mm (W) 12.7ins x (H) 20.2ins x (D) 12.2ins	(W) 360mm x (H) 560mm x (D) 350mm (W) 14.17ins x (H) 22.05ins x (D) 13.78ins	(W) 432mm x (H) 685mm x (D) 413mm (W) 17.01ins x (H) 26.97ins x (D) 16.26ins
WEIGHT	15.3kg (33.7lbs)	19kg (41.89 lbs)	26kg (57.32lbs)
ACCESSORIES	CDDWB10/12B wall bracket black CDDWB10/12W wall bracket white CDDY10B yoke assembly black CDDY10W yoke assembly white	CDDWB10/12B wall bracket black CDDWB10/12W wall bracket white CDDY12B yoke assembly black CDDY12W yoke assembly white	CDDY15B yoke assembly black CDDY15W yoke assembly white WB15B wall bracket in black WB15W wall bracket in white

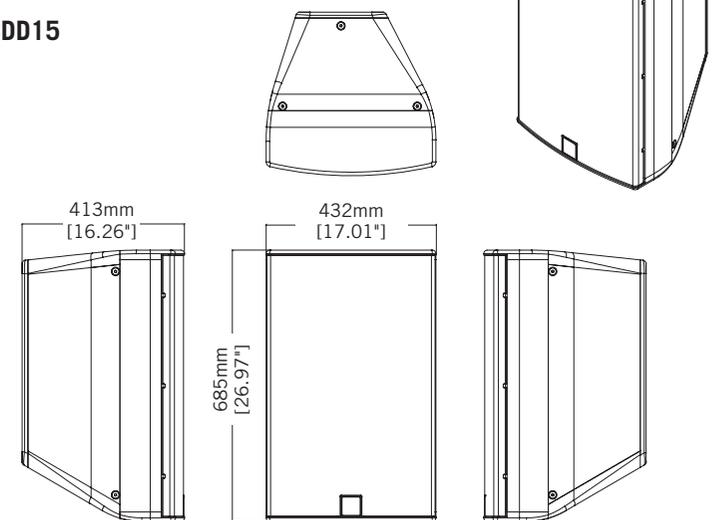
### CDD12



### CDD10



### CDD15

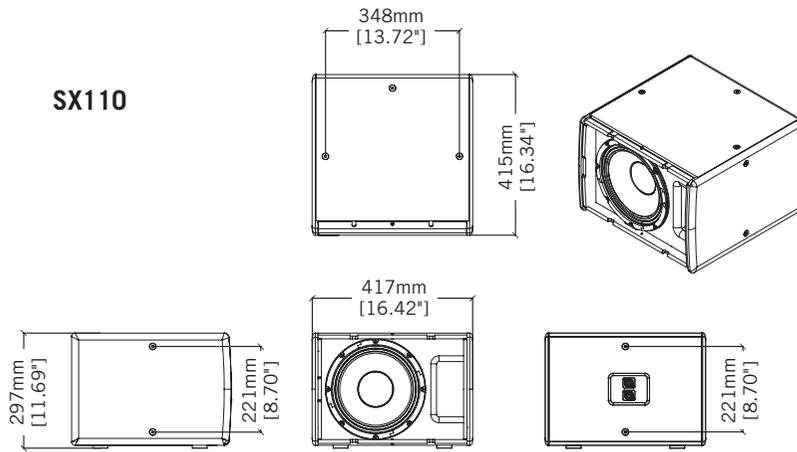


#### Notes

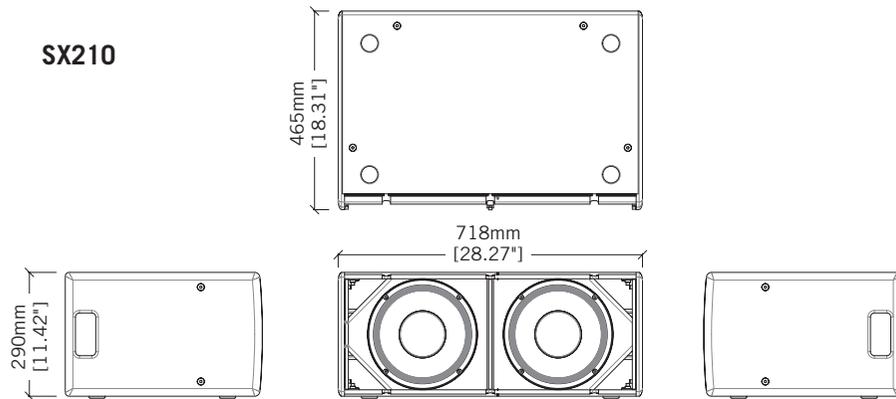
- (1) Measured on-axis in half (2pi) space at 2 metres, then referred to 1 metre.
- (2) AES Standard ANSI S4.26-1984.
- (3) Measured in half (2pi) space at 2 metres with 1 watt input, using band limited pink noise, then referred to 1 metre.
- (4) Measured in half (2pi) space at 2 metres using band limited pink noise, then referred to 1 metre.
- (5) Measured on-axis in open (4pi) space at 2 metres, then referred to 1 metre.
- (6) Measured in open (4pi) space at 2 metres with 1 watt input, using band limited pink noise, then referred to 1 metre.
- (7) Measured in open (4pi) space at 2 metres using band limited pink noise, then referred to 1 metre.
- (8) Measured in open (4pi) space at 2 metres with 2.83V input, using band limited pink noise, then referred to 1 metre.
- (9) Calculated at 1 metre.
- (10) Measured in half (2pi) space at 2 metres with 2.83V input, using band limited pink noise, then referred to 1 metre.

# TECHNICAL SPECIFICATIONS

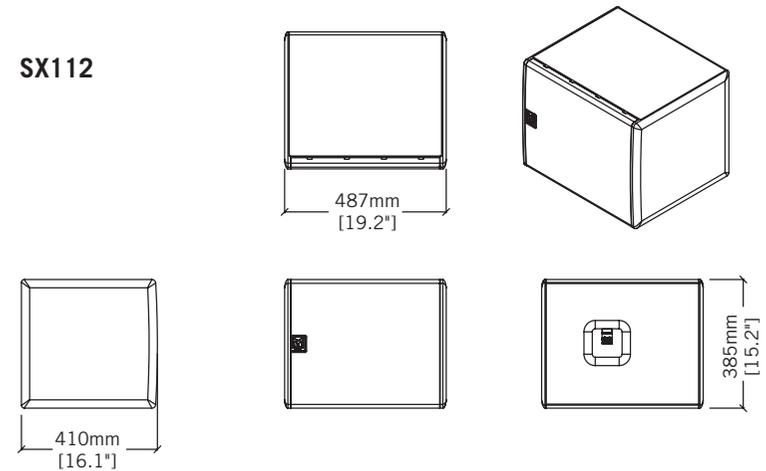
**SX110**



**SX210**

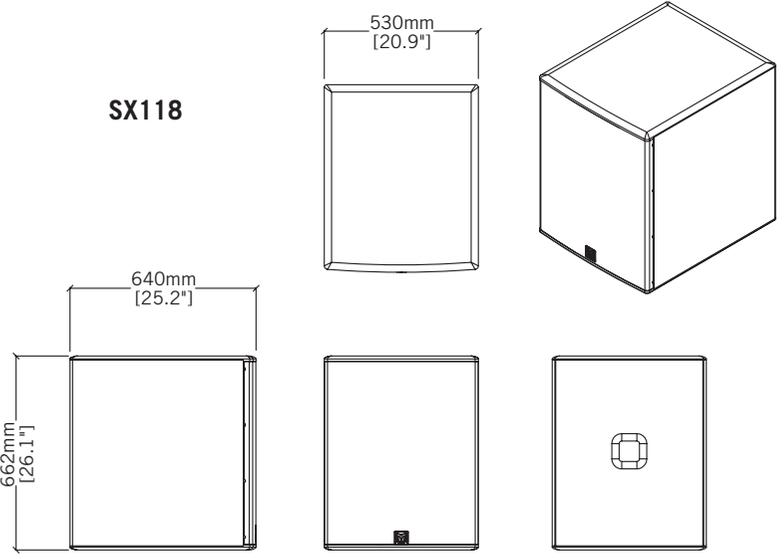


**SX112**



	<b>SX110</b>	<b>SX210</b>	<b>SX112</b>
TYPE	Ultra-compact, direct radiating subwoofer	Slimline, direct radiating subwoofer	Compact, single driver, direct radiating subwoofer
FREQUENCY RESPONSE (1)	50Hz-150Hz ± 3dB, -10dB @ 42Hz	50Hz-150Hz ± 3dB, -10dB @ 42Hz	48Hz-150Hz ± 3dB, -10dB @ 35Hz
DRIVER	1 x 10" (250mm)/2" (50mm) voice coil, long excursion, ferrite magnet	2 x 10" (250mm)/2" (50mm) voice coil, long excursion, ferrite magnet	12" (300mm)/3" (75mm) voice coil, long excursion, ferrite magnet, waterproof cone
RATED POWER (2)	250W AES, 1000W peak	500W AES, 2000W peak	400W AES, 1600W peak
SENSITIVITY (10)	97dB	103dB	100dB
MAXIMUM SPL (9)	121dB continuous, 127dB peak (half space)	127dB continuous, 133dB peak (half space)	126dB continuous, 132dB peak (half space)
NOMINAL IMPEDANCE	8 ohms	4 ohms	8 ohms
DISPERSION (-6dB)	Omnidirectional	Omnidirectional	Omnidirectional
CROSSOVER	80-120Hz active	80-120Hz active	80-120Hz active
ENCLOSURE	Plywood	Birch/poplar ply	52 litres, Plywood
FINISH	Black or white	Black textured paint	Black or white textured paint
PROTECTIVE GRILLE	Perforated steel	Black perforated steel	Black or white perforated steel
CONNECTORS	2 x NL4 type	2 x NL4 type	Low profile 20A push-lock
PIN CONNECTIONS	(INPUT) +1, -1 Link through: +2, -2 (LINK) +1, -1 Link through: +2, -2	(INPUT) 1+/-/1- (LINK) 1+/- to 1+/-	Left to right: Input+, Input -, Link -, Link+
FITTINGS	12 x M8 inserts	16 x M8 inserts. Two bar handles	12 x M10 inserts
DIMENSIONS (INCL FEET)	(W) 417mm x (H) 297mm x (D) 415mm (W) 16.4ins x (H) 11.7ins x (D) 16.3ins	(W) 720mm x (H) 295mm x (D) 465mm (W) 28.3ins x (H) 11.6ins x (D) 18.3ins	(W) 487mm x (H) 385mm x (D) 410mm (W) 19.2ins x (H) 15.2ins x (D) 16.1ins
WEIGHT	12kg (26.5lbs)	20kg (44.1lbs)	21.5kg (47.3lbs)

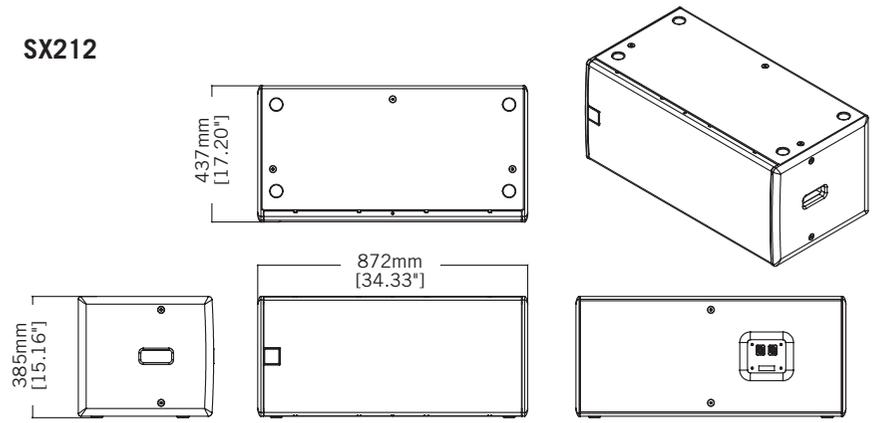
	<b>SX212</b>	<b>SX118</b>	<b>SX218</b>
TYPE	Compact, dual-driver, direct radiating subwoofer	Compact, direct radiating subwoofer	Dual-driver, direct radiating subwoofer
FREQUENCY RESPONSE (1)	48Hz-150Hz ± 3dB, -10dB @ 35Hz	40Hz-150Hz ± 3dB, -10dB @ 35Hz	35Hz-150Hz ± 3dB, -10dB @ 30Hz
DRIVER	2 x 12" (300mm)/3" (75mm) voice coil, long excursion, ferrite magnet, waterproof cone	18" (460mm)/4" (100mm) voice coil, long excursion, ferrite magnet, waterproof cone	2 x 18" (460mm)/4" (100mm) voice coil, long excursion, ferrite magnet, waterproof cone
RATED POWER (2)	800W AES, 3200W peak	1000W AES, 4000W peak	2000W AES, 8000W peak
SENSITIVITY (10)	106dB	102dB	108dB
MAXIMUM SPL (9)	132dB continuous, 138dB peak (half space)	132dB continuous, 138dB peak (half space)	138dB continuous, 144dB peak (half space)
NOMINAL IMPEDANCE	4 ohms	8 ohms	4 ohms
DISPERSION (-6dB)	Omnidirectional	Omnidirectional	Omnidirectional
CROSSOVER	80-120Hz active	80-120Hz active	80-120Hz active
ENCLOSURE	100 litres, Plywood	160 litre, high-density MDF	330 litre high-density MDF
FINISH	Black or white textured paint	Durable polyurea coating	Durable polyurea coating
PROTECTIVE GRILLE	Black or white perforated steel	Black perforated Zintec	Black perforated Zintec
CONNECTORS	Low profile 20A push-lock	Low profile 20A push-lock	Low profile 20A push-lock
PIN CONNECTIONS	Left to right: Input+, Input -, Link -, Link+	Left to right: Input+, Input -, Link -, Link+	Left to right: Input+, Input -, Link -, Link+
FITTINGS	12 x M10 inserts. Two pocket handles	16 x M10 inserts. Two bar handles	24 x M10 inserts. Four bar handles
DIMENSIONS	(W) 872mm x (H) 385mm x (D) 437mm (W) 34.3ins x (H) 15.2ins x (D) 17.2ins	(W) 530mm x (H) 662mm x (D) 640mm (W) 20.9ins x (H) 26.1ins x (D) 25.2ins	(W) 1085mm x (H) 530mm x (D) 780mm* (W) 42.7ins x (H) 20.9ins x (D) 30.7ins* *911mm (35.9ins) with wheels
WEIGHT	39kg (86lbs)	43.5kg(96lbs) w/o castors 47kg(104lbs) with castors	98.5kg (217lbs) w/o castors 102kg (225lbs) with castors
ACCESSORIES		Wheel Kit (Four 100mm (4in) castors), Input Board Cover, Transit Cover	Wheel Kit (Four 100mm (4in) castors), Input Board Cover, Transit Cover



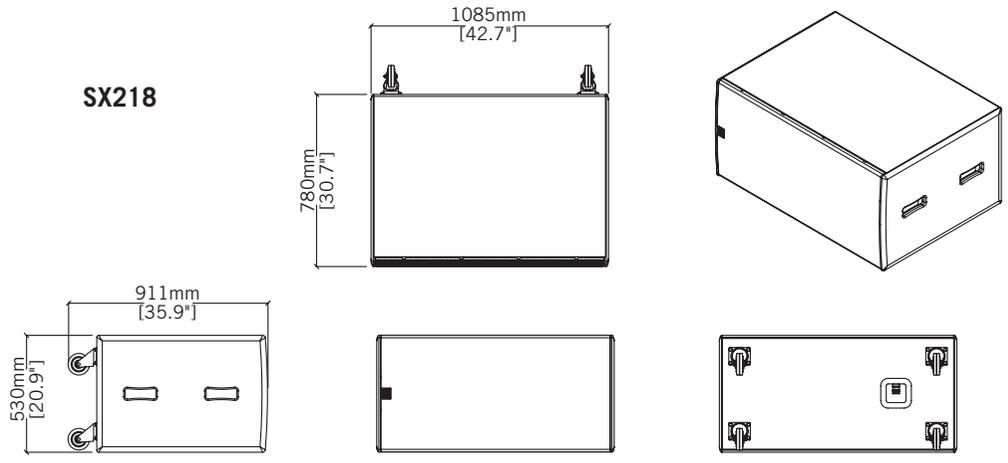
- Notes**
- (1) Measured on-axis in half (2pi) space at 2 metres, then referred to 1 metre.
  - (2) AES Standard ANSI S4.26-1984.
  - (3) Measured in half (2pi) space at 2 metres with 1 watt input, using band limited pink noise, then referred to 1 metre.
  - (4) Measured in half (2pi) space at 2 metres using band limited pink noise, then referred to 1 metre.
  - (5) Measured on-axis in open (4pi) space at 2 metres, then referred to 1 metre.

- (6) Measured in open (4pi) space at 2 metres with 1 watt input, using band limited pink noise, then referred to 1 metre.
- (7) Measured in open (4pi) space at 2 metres using band limited pink noise, then referred to 1 metre.
- (8) Measured in open (4pi) space at 2 metres with 2.83V input, using band limited pink noise, then referred to 1 metre.
- (9) Calculated at 1 metre.
- (10) Measured in half (2pi) space at 2 metres with 2.83V input, using band limited pink noise, then referred to 1 metre.

**SX212**



**SX218**





## THE SHAPE OF THINGS TO COME

### **Martin Audio Limited**

Century Point

Halifax Road

Cressex Business Park

High Wycombe

Buckinghamshire

HP12 3SL

England

### **FOR SALES ENQUIRIES:**

#### **UK**

Telephone: +44 (0)1494 535312

E-mail: [info@martin-audio.com](mailto:info@martin-audio.com)

#### **NORTH AMERICA**

Telephone: 323 381 5310

All information is Copyright © 2025 Martin Audio Ltd.

Martin Audio, the Martin Audio logo and Hybrid are registered trademarks of Martin Audio Ltd. in the United Kingdom, United States and other countries; all other Martin Audio trademarks are the property of Martin Audio Ltd.

[www.martin-audio.com](http://www.martin-audio.com)

**Unite Your Audience**  
The Martin Audio Experience

Version 6.3