



BOSCH

Digital Discussion System

CCS 1000 D

en System manual

Table of contents

1	Safety	5
1.1	FCC Supplier's Declaration of Conformity	5
2	About this manual	7
2.1	Manual purpose	7
2.2	Digital document	7
2.3	Intended audience	7
2.4	Alerts and notice signs	7
2.5	Copyright and disclaimer	7
2.6	Document history	8
3	System overview	9
3.1	CCSD-CU(RD) Control Unit	10
3.2	Control Unit with MP3 recording and DAFS	10
3.3	Discussion Device	11
3.4	Flush discussion device	12
3.5	CCSD-EXU Extension Unit	12
3.6	GUI languages	13
3.7	Security measures	13
4	Planning	14
4.1	Unpacking	14
4.2	Delivered with products	14
4.2.1	CCSD-CU Control Unit or CCSD-CURD Control Unit	14
4.2.2	CCSD-Dx Discussion devices	14
4.2.3	CCSD-Dx2 Discussion devices	14
4.2.4	CCSD-Fx Flush devices	15
4.2.5	CCSD-EXU Extension Unit	15
4.3	Additional components	15
4.4	Making custom extension cables	18
4.5	Setup options and limits	19
4.5.1	Small/medium sized system (max. 80 Discussion Devices)	19
4.5.2	Large system (max. 245 Discussion Devices)	20
4.5.3	Extension cables	22
5	Installation	26
5.1	Control unit and Extension unit	26
5.2	Flush devices	26
6	Connections	29
6.1	Connect system components	29
6.2	Control Unit connections	30
6.3	Discussion Device connections	32
6.4	Flush devices connections	33
6.5	Extension Unit connections	34
7	Configuration	35
7.1	Control Unit	35
7.1.1	Discussion modes	38
7.1.2	Key combinations	39
7.2	Discussion Device	39
7.2.1	Configure Discussion Device	40
7.2.2	Initialize Discussion Device	41
7.2.3	Erase address	41

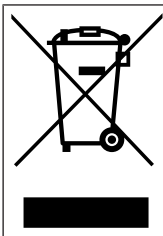
7.3	Flush devices	41
7.3.1	Initialize flush device	41
7.3.2	De-initialize flush device	42
7.4	Extension Unit	42
7.5	Web browser interface	43
7.5.1	First use configuration	43
7.5.2	Login	45
7.5.3	Manage discussion	49
7.5.4	Prepare discussion	50
7.5.5	Manage recorder	50
7.5.6	System settings	52
7.5.7	Power	58
7.5.8	Logging	58
7.5.9	System info	58
7.5.10	Logout	58
7.6	RESTful Application Program Interface (API)	59
8	Operation	60
8.1	Recording and playing back discussion	60
8.2	Using the microphone button	62
8.3	Using the priority button	63
8.4	Adjusting headphones volume	63
9	Troubleshooting	64
9.1	Troubleshooting table	64
10	Maintenance	68
10.1	Cleaning	68
10.2	Inspect components	68
10.3	Storage	68
11	Technical data	69
11.1	Control Unit	69
11.2	Discussion Device	70
11.3	Flush devices	71
11.4	Extension Unit	73
12	Customer service and training	74

1

Safety

Prior to installing or operating products, always read the Important Safety Instructions which are available as a separate multilingual document: Important Safety Instructions (Safety_ML). These instructions are supplied together with all equipment that can be connected to the mains supply.

Old electrical and electronic equipment



This product and/or battery must be disposed of separately from household waste. Dispose such equipment according to local laws and regulations, to allow their reuse and/or recycling. This will help in conserving resources, and in protecting human health and the environment.

Use latest software

Before operating the device for the first time, make sure that you install the latest applicable release of your software version. For consistent functionality, compatibility, performance, and security, regularly update the software throughout the operational life of the device. Follow the instructions in the product documentation regarding software updates.

The following links provide more information:

- Latest software is available at: <https://software-download.keenfinity-group.com/>
- Security advisories, that is a list of identified vulnerabilities and proposed solutions: <https://www.keenfinity-group.com/xc/en/support/product-security/security-advisories.html>

Electro Voice Dynacord B.V. assumes no liability whatsoever for any damage caused by operating its products with outdated software components.

1.1

FCC Supplier's Declaration of Conformity

The following statement is valid for:

- CCSD-CU
- CCSD-CURD

applies to U.S.A. and Canadian models only



Business Equipment

For commercial or professional use

This equipment has been tested and found to comply with the limits for a Class A digital device, pursuant to Part 15 of the FCC and Canadian ICES-003 requirements. These limits are designed to provide reasonable protection against harmful interference when the equipment is operated in a commercial environment. This equipment generates, uses, and can radiate radio frequency energy and, if not installed and used in accordance with the instruction manual, may cause harmful interference to radio communications. Operation of this equipment in residential area is likely to cause harmful interference in which case the user will be required to correct the interference at their own expense. Intentional or unintentional changes or modifications not expressly approved by the party responsible for compliance shall not be made. Any such changes or modifications may void the user's authority to operate the equipment.

The following statement is valid for:

- CCSD-DS
- CCSD-DL
- CCSD-DS2
- CCSD-DL2
- CCSD-EXU
- CCSD-FDS
- CCSD-FDL
- CCSD-FCMS
- CCSD-FCML

Changes or modifications not expressly approved by the party responsible for compliance could void the user's authority to operate the equipment.

Note: This equipment has been tested and found to comply with the limits for a Class B digital device, pursuant to Part 15 of the FCC Rules. These limits are designed to provide reasonable protection against harmful interference in a residential installation. This equipment generates, uses, and can radiate radio frequency energy and, if not installed and used in accordance with the instructions, may cause harmful interference to radio communications. However, there is no guarantee that interference will not occur in a particular installation. If this equipment does cause harmful interference to radio or television reception, which can be determined by turning the equipment off and on, the user is encouraged to try to correct the interference by one or more of the following measures:

- Reorient or relocate the receiving antenna.
- Increase the separation between the equipment and receiver.
- Connect the equipment into an outlet on a circuit different from that to which the receiver is connected.
- Consult the dealer or an experienced radio/TV technician for help.

2 About this manual

- Please read this manual carefully before installing and operating any of the products of the CCS 1000 D Digital Discussion System.
- Retain all documentation supplied with the products for future reference.

2.1 Manual purpose

This manual provides information required for installing, configuring, operating and maintaining the products of the CCS 1000 D Digital Discussion System. For documentation updates, refer to the product related information at: <https://www.keenfinity-group.com/>.

2.2 Digital document

This manual is available as a digital document in the Adobe Portable Document Format (PDF). Refer to the product related information on: <https://www.keenfinity-group.com/>.

2.3 Intended audience

This manual is intended for installers, technicians and users of a CCS 1000 D Digital Discussion System.

2.4 Alerts and notice signs

Three types of signs can be used in this manual. The type is closely related to the effect that not following the recommendation can cause. These signs are ordered from least severe effect to most severe effect:



Notice!

Contains additional information. Usually, not observing a Notice sign does not result in damage to the equipment or personal injuries.



Caution!

The equipment or the property can be damaged, or persons can be lightly injured if Caution sign is not observed.



Warning!

The equipment or the property can be seriously damaged, or persons can be severely injured if a Warning sign is not observed.

2.5 Copyright and disclaimer

All rights reserved. No part of this document may be reproduced or transmitted in any form by any means, electronic, mechanical, photocopying, recording, or otherwise, without the prior written permission of the publisher. For information on getting permission for reprints and excerpts, contact Bosch Security Systems B.V..

The content and illustrations are subject to change without prior notice.

2.6 Document history

Release date	Documentation version	Reason
2014-09	V1.0	1 st edition.
2014-10	V1.1	Cover photo and sections: 2.6, 3, 4, 4.3, 4.5, 6, 6.1, 6.2, 7, 7.1, 7.3, 7.3.1 (incl. illustration), 7.3.3, 7.3.4, 7.3.5 (incl. illustration), 7.3.6, 7.3.8 adapted.
2016-05	V2.0	New sections added: 3.4, 4.2.1, 4.2.2, 4.2.3, 4.5.1, 4.5.2, 4.5.3, 6.4, 7.1.2, 7.2, 7.3.2, 7.3.3, 7.4.1, 7.5, 11.3 Sections updated: 2.6, 3, 6.1, 6.2, 7.4.2, 7.4.4, 7.4.6, 8.1, 9.1
2018-08	V2.1	Section updated: 7.4.6
2020-05	V2.2	Section added: – GUI languages Sections updated: – Login : added information about first time login. – System info : completed with additional available information about OSS license terms. – Troubleshooting table : updated table with information about how to handle a large amount of API calls
2024-09	V3.0	Sections added or updated due to the inclusion of the flush chairperson and discussion devices: – Delivered with products – Extension cables – Installation – Connections – Configuration – Technical data – Safety compliance
2026-03	V4.0	Sections updated: – Safety : inclusion of the CCSD-Dx2 devices – System overview : inclusion of the CCSD-Dx2 devices – Planning : inclusion of the CCSD-Dx2 devices – Connections : inclusion of the CCSD-Dx2 devices – Configuration : inclusion of the CCSD-Dx2 devices; update to the information on the first use configuration of the system web browser interface – Operation : inclusion of the CCSD-Dx2 devices – Technical data : inclusion of the CCSD-Dx2 devices

3 System overview

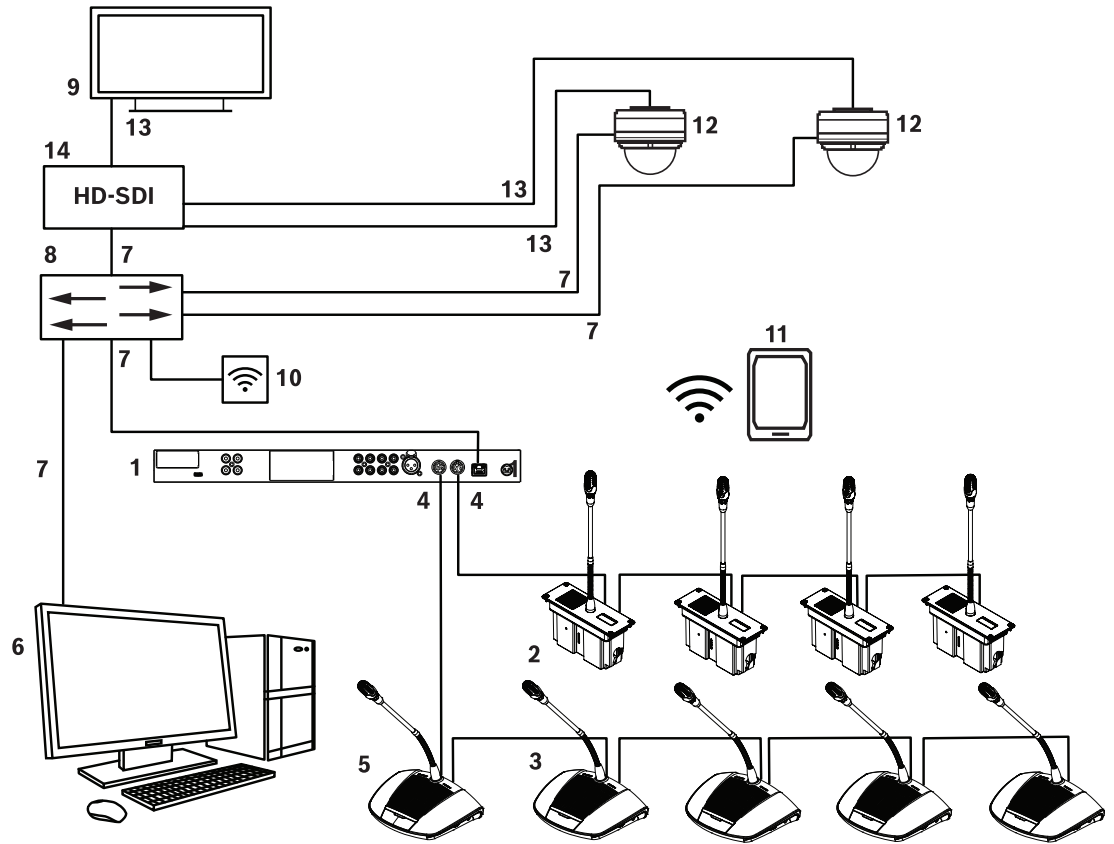


Figure 3.1: Typical system setup

The CCS 1000 D Digital Discussion System is a hot plug-and-play conferencing system that is ideally suited for small to medium-sized meeting areas, such as town halls, local business centers, and courtrooms. The main components of the discussion system are:

1. **Control Unit:** there are two types of control unit: the CCSD-CU and the CCSD-CURD. Their functions and differences are described in *CCSD-CU(RD) Control Unit*, page 10.
2. **Flush participant discussion devices (CCSD-Dx):** of which also exists a chairperson model.
3. **Tabletop participant discussion devices,** which can also be configured as chairperson devices.
4. **Discussion device cable (and extension cables as required):** connects the Discussion Devices, Control Unit(s), and optional Extension Unit(s) in a daisy-chain configuration.
5. **Tabletop chairperson’s device (CCSD-Dx).**
6. **PC/Laptop:** can be used temporary to upgrade the system, or to manage discussions, prepare discussions, and configure the system.
7. **Ethernet cable:** the Ethernet port is used to connect the laptop or PC, IP camera’s, and other equipment solely used to operate the CCS 1000 D Digital Discussion System.
8. **Ethernet switch:** routes the system data via Ethernet.
9. **Display:** can be used to show the speaking participant.
10. **Wireless access point/router:** used in combination with a wireless tablet device.
11. **Tablet device:** can be used to manage discussions, prepare discussions, and configure the system.
12. **Camera:** captures the image of a speaking participant.
13. **Coax cable:** transports the video signal between the camera and the HD-SDI.

14. **HD-SDI:** used to connect to the display and to the Ethernet network switch TV-One CORIOmatrix mini and the Kramer MV-6 are supported.

Refer to

- CCSD-CU(RD) Control Unit, page 10

3.1

CCSD-CU(RD) Control Unit

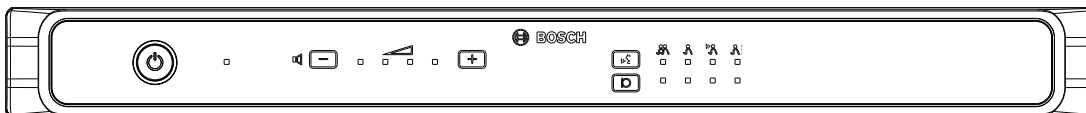


Figure 3.2: CCSD-CU

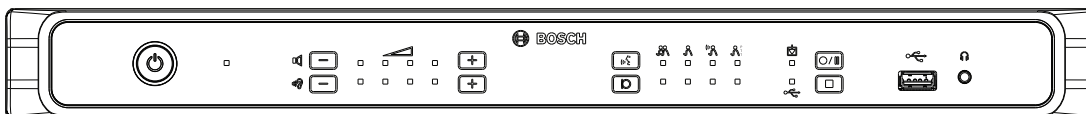


Figure 3.3: CCSD-CURD

The Control Unit is the central component of the CCS 1000 D Digital Discussion System. Its main purpose is to:

- provide an interface for connecting Discussion Devices and peripheral equipment.
- supply DC power to Discussion Devices.
- monitor and control the CCS 1000 D Digital Discussion System.

Touch-buttons and LED indicators on the front panel are used for configuring and operating.

The Control Unit has a built-in web browser interface, which can be accessed with a tablet, laptop, or PC. The web browser interface can be used to view and manage basic and advanced system configuration, such as microphone management and digital recording options. Configuration changes made at the Control Unit are automatically updated in the web browser interface and vice-versa.

3.2

Control Unit with MP3 recording and DAFS

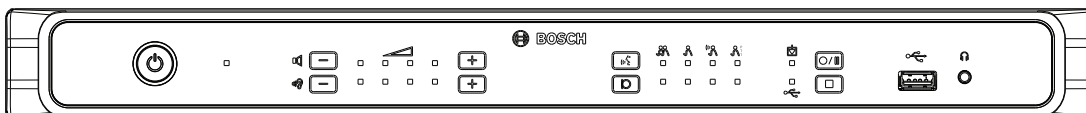


Figure 3.4: CCSD-CURD

The CCSD-CURD has the following additional features:

- Built-in MP3 recorder with internal memory and USB recording.
- Built-in Digital Acoustic Feedback Suppression (DAFS).
- Built-in loudspeaker and headphone socket with volume control for listening to the 'floor language' or recordings.
- Additional RCA outputs for individual microphone recording, e.g. for recording individual speakers in a courtroom.

3.3 Discussion Device

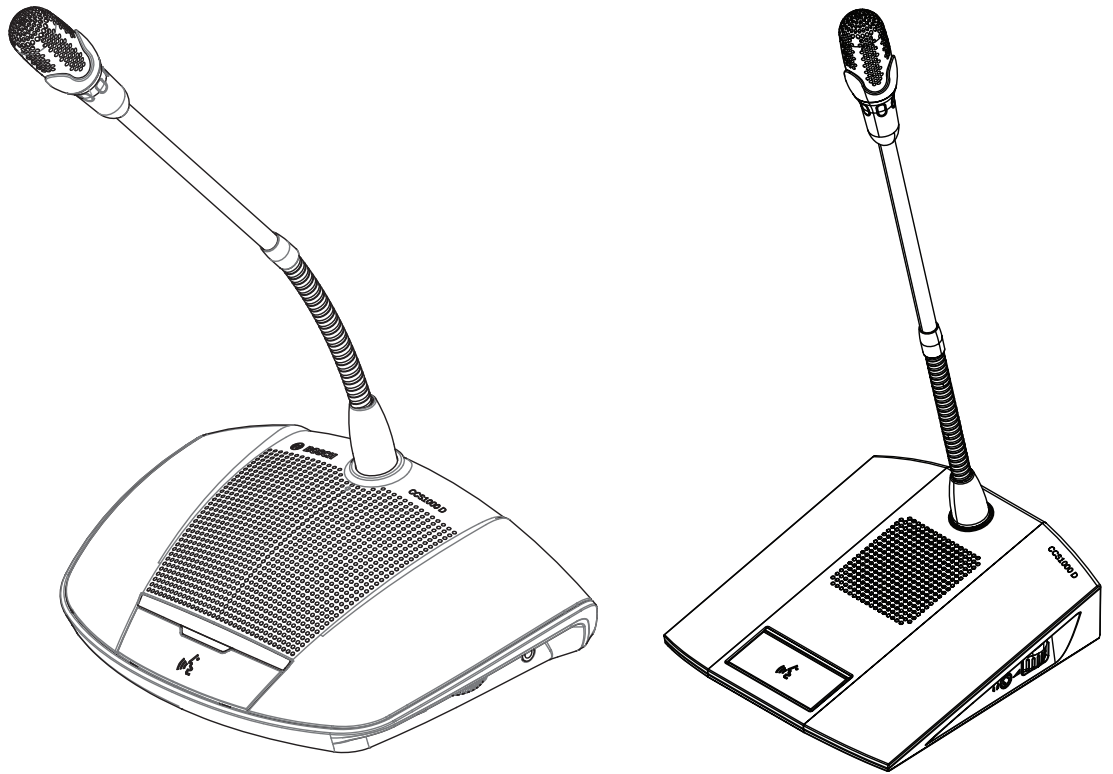


Figure 3.5: CCSD-Dx and CCSD-Dx2

The device allows a participant to take part in a discussion by speaking into the microphone and listening to proceedings through the built-in loudspeaker or (optional) headphones. It has the following main features:

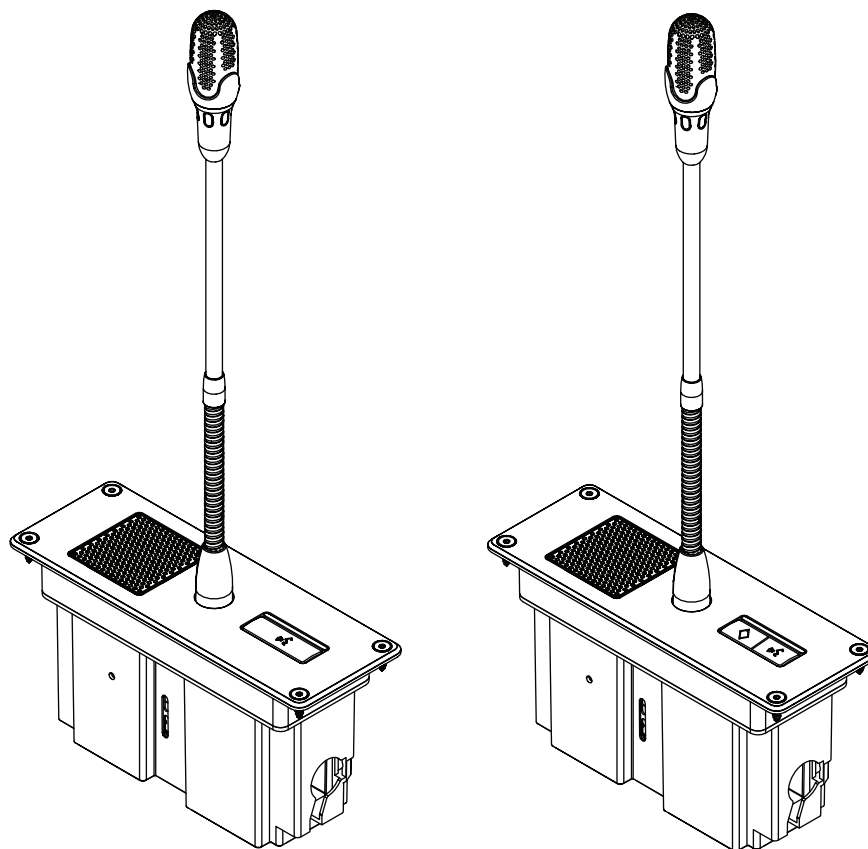
- Microphone button for activating and deactivating the microphone.
- LED indicator above the microphone button and a light-ring indicator in head of the microphone.
- Rotary thumbwheel on the side of the device for adjusting the volume of the headphones.

A device can be configured as either a 'participant device' or a 'chairperson device', which enables a user to function as the chairperson at a meeting. See *Configure Discussion Device*, page 40.

Refer to

- *Configure Discussion Device*, page 40

3.4 Flush discussion device



The flush devices allow a participant to take part in a discussion by speaking into the microphone and listening to the proceedings through the built-in loudspeaker.

It has the following main features:

- Choice of short or long fixed microphone with flexible stem.
- Microphone button to activate and deactivate the microphone.
- LED indicator above the microphone button and a light-ring indicator in the head of the microphone.

The flush chairperson discussion devices have an additional priority button next to the microphone button for the request-to-speak indication.

3.5 CCSD-EXU Extension Unit

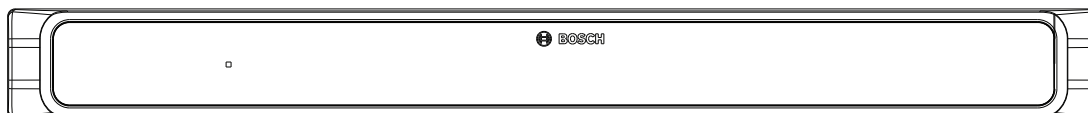


Figure 3.6: CCSD-EXU

The Extension Unit is used in combination with a Control Unit (CCSD-CU or CCSD-CURD) to supply additional power to the CCS 1000 D Digital Discussion System.

One or more Extension Units can be used to expand the CCS 1000 D Digital Discussion System up to 245 Discussion Devices. A single Extension Unit can provide power for up to 85 additional Discussion Devices (CCSD-DS or CCSD-DL).

The Extension Unit is switched on and off automatically with the Control Unit.

3.6 GUI languages

The CCS 1000D Digital Discussion System has the following GUI languages:

	ar	cs	de	en	el	es	fi	fr	hu	id	it	ja	ko	nl	pl	pt	pt-BR	ru	th	tr	vi	zh-CN	zh-TW
Web browser	•	•	•	•	•	•	•	•	•	•	•	•	•	•	•	•	•	•	•	•	•	•	•

3.7 Security measures

The owner and/or installer must take care of the security measures to prevent the improper use of the CCS 1000 D system through the Internet and the local networks.

Consider the following items to increase security:

- Change the password of the admin user.
- Prevent the unauthorized physical access to the Ethernet connection of the control unit.
- Prevent the unauthorized network access to the control unit.
This can be done by, but not limited to, placing the control unit in a separate VLAN and/or using a firewall.
- Install the latest control unit software.

4 Planning

Before using the CCS 1000 D Digital Discussion System, read this section to make sure you have all components for connecting and operating the system. This section also includes important information on the number of Discussion Devices that can be connected to the system. See *Setup options and limits*, page 19.

4.1 Unpacking

This equipment should be unpacked and handled with care. If an item appears to be damaged, notify the shipper immediately. If any items are missing, notify your Bosch representative.

The original packaging is the safest container in which to transport products and can be used to return products for service if necessary.

4.2 Delivered with products

Make sure the following items are delivered with your products:

4.2.1 CCSD-CU Control Unit or CCSD-CURD Control Unit

Quantity	Component
1	CCSD-CU or CCSD-CURD
1	Mains power cord
1	24 VDC power supply
1	Micro USB cable
2	Sets of chairperson's buttons for a Discussion Device
1	Exchange tool for buttons
1	Set of feet for table top use
1	Set of 19" 1U mounting brackets
1	Safety instructions
1	Installation note
1	DVD with operation manual and supporting tools

4.2.2 CCSD-Dx Discussion devices

Quantity	Component
1	CCSD-DS or CCSD-DL
1	Quick installation guide

4.2.3 CCSD-Dx2 Discussion devices

Quantity	Component
1	CCSD-DS2 or CCSD-DL2

4.2.4 CCSD-Fx Flush devices

Quantity	Component
1	CCSD-FCML or CCSD-FCMS, or CCSD-FDL or CCSD-FDS
1	Cutout template
5	Countersunk head wood screws, 3.5 x 12.7 mm (#6-1/2-inch), Torx 10 Steel Zinc Nickel plated, black
1	Quick installation guide

4.2.5 CCSD-EXU Extension Unit

Quantity	Component
1	CCSD-EXU
1	Mains power cord
1	24 VDC power supply
1	Set of feet for tabletop use
1	Set of 19" 1U mounting brackets
1	Safety instructions
1	Quick installation guide

4.3 Additional components

The following additional components can be used with the CCS 1000 D Digital Discussion System, as required:



LBB 4116 Series Extension Cables – These standard length extension cables can be connected to components in the daisy-chain. If you want to add one or more extension cables to the system cabling, make sure you follow the guidelines in *Setup options and limits*, page 19.

Type number	Cable length
LBB 4116/02	2 m (6.6 ft)
LBB 4116/05	5 m (16.0 ft)
LBB 4116/10	10 m (33.0 ft)
LBB 4116/15	15 m (49.2 ft)
LBB 4116/20	20 m (66.0 ft)
LBB 4116/25	25 m (82.0 ft)



LBB 4116/00 Installation Cable 100 m – This roll of cable and LBB 4119 connectors can be used to make custom length extension cables. See *Making custom extension cables*, page 18.



LBB 4119 Connectors (25 pairs) – Pairs of connectors for terminating extension cables made from the LBB 4116/00 roll of cable.



DCN-DISCLM Cable Clamps (25 pcs) – This cable clamp can be used to secure the connector of a Discussion Device to the next Discussion Device in the daisy chain.



LBB 4117/00 Cable Locking Clamps (25 pcs) – This cable locking clamp can be used to lock the connectors of extension cables. One cabling locking clamp is required for each male/female connector.

USB memory stick (CCSD-CURD only) – A correctly formatted USB memory stick is required if you want to record discussions directly to an external device. Refer to the following information:

- Preferred type: Sandisk.
- Maximum size: 128 GB.
- Formatting: The USB memory stick must be formatted to the FAT32 file system. If required, the USB memory stick can be formatted using:
 - the recommend formatting tool on the DVD supplied with the Control Unit. This tool can also be downloaded from the relevant product page on: www.boschsecurity.com
 - the Windows default formatting tool. This tool can only format USB memory sticks up to 32 GB to the FAT32 file system.
- Partition: Device with single FAT32 partition.
- Partitioning scheme: Must be MBR (GPT is not supported).

Note: The partitioning scheme can also be changed with the formatting tool.

USB cable with micro USB connector - A USB cable with a micro USB connector is required if you want to transfer the internal memory (recordings) to a PC.

RJ45 Ethernet cable - An RJ45 Ethernet cable is required if you want to connect a laptop or PC to the control unit for running the web browser interface and connecting system cameras.

RCA cables - RCA cables are required if you want to connect optional audio equipment to the Control Unit, such as a sound reinforcement system.

XLR cable - An XLR cable is required if you want to connect an external microphone to the Control Unit.

Wireless Access Point (WAP) - A commercially available wireless access point or router is required if you want to connect equipment with a WiFi connection to the system.

4.4 Making custom extension cables

Custom extension cables can be made from the LBB 4116/00 DCN-NG installation cable 100 m and LBB 4119/00 DCN-NG connectors (25 pairs). Refer to the following figures and table:

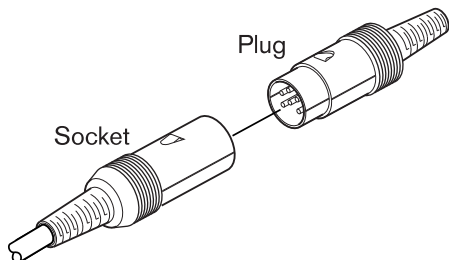


Figure 4.1: Extension cable plug and socket

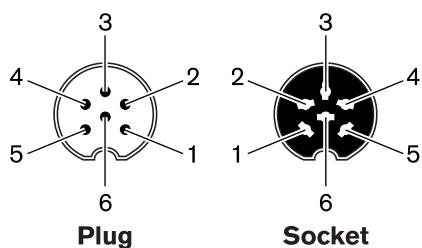


Figure 4.2: Plug and socket pin numbers

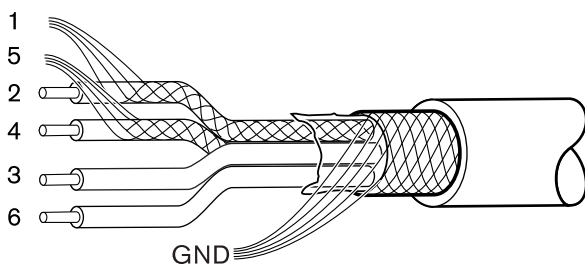


Figure 4.3: Extension cable connections

Pin	Signal	Color
1	Downlink GND	---
2	Downlink data	Green
3	+24 V(DC)	Brown
4	Uplink data	White
5	Uplink GND	---
6	+24 V(DC)	Blue

Table 4.1: Extension cable connections

4.5 Setup options and limits

This section describes the setup options and limits for the CCS 1000 D Digital Discussion System. The following example system setups are described:

- A small/medium sized system that has a Control Unit, and a maximum of 80 Discussion Devices. See *Small/medium sized system (max. 80 Discussion Devices)*, page 19.
- A large system that has a Control Unit, one or more Extension Units, and a maximum of 245 Discussion Devices. See *Large system (max. 245 Discussion Devices)*, page 20.
- A system that has extension cables longer than 20 m (66.0 ft) connected to a trunk or tap-off. See *Extension cables*, page 22.

Note: Due to power loss, extension cables longer than 20 m (66.0 ft) have a direct effect on the number of Discussion Devices that can be connected to a trunk/tap-off.

4.5.1 Small/medium sized system (max. 80 Discussion Devices)

A small/medium sized system has one Control Unit and a maximum of 80 Discussion Devices. The following limits are applicable in this situation:

- **Limit 1:** A maximum of 40 Discussion Devices can be daisy-chained to each trunk of the Control Unit.
- **Limit 2:** If an extension cable longer than 20 m (66.0 ft) is added to a trunk, the number of Discussion Devices that can be added to that trunk is reduced. Refer to the table in *Extension cables*, page 22.
- **Limit 3:** The maximum cable length for a trunk is 100 m (328.0 ft). This includes all extension cables (including the first 20 m (66.0 ft) of extension cable) + the Discussion Device cables of 2 m (6.6 ft) per device.

The following figure shows the maximum of 40 Discussion Devices connected to each trunk of the Control Unit: $40 + 40 = 80$ Discussion Devices.

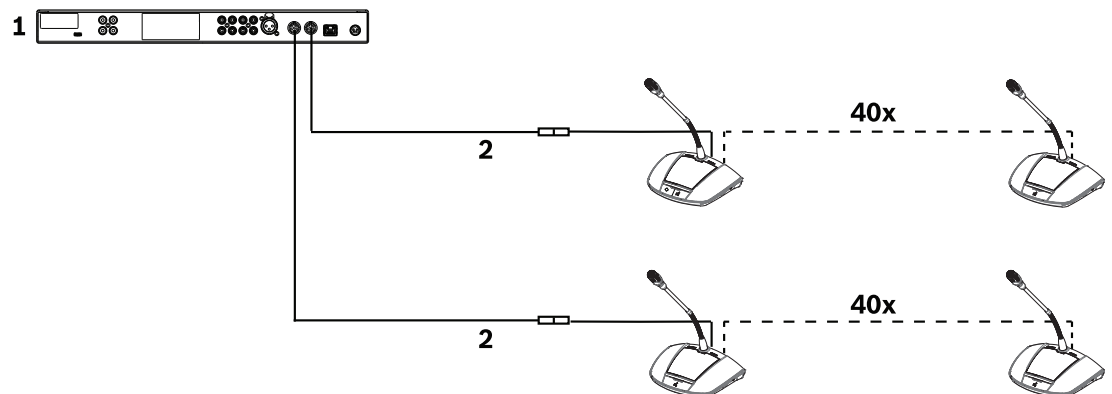


Figure 4.4: Example setup for a small/medium sized system (max. 80 discussion devices)

1. Control Unit
2. Extension cable 20 m (66.0 ft) long connected to each trunk of the Control Unit

4.5.2

Large system (max. 245 Discussion Devices)

A system can be extended (by more than 80 Discussion Devices) by adding one or more Extension Units to a trunk of the Control Unit.

- **Limit 1:** A maximum of 40 components can be daisy-chained to a trunk of the Control Unit.
Note: A component can be a Discussion Device or an Extension Unit.
- **Limit 2:** A maximum of 40 Discussion Devices can be daisy-chained to each tap-off of an Extension Unit.
- **Limit 3:** A maximum of 85 Discussion Devices can be connected to each Extension Unit.
- **Limit 4:** A maximum of 245 Discussion Devices can be connected to the system.
- **Limit 5:** If an extension cable longer than 20 m (66.0 ft) is added to a trunk/tap-off, the number of Discussion Devices that can be added to that trunk/tap-off is reduced. Refer to the table in *Extension cables*, page 22.
- **Limit 6:** The maximum cable length for a trunk/tap-off is 100 m (328.0 ft). This includes all extension cables (including the first 20 m (66.0 ft) of extension cable) + the Discussion Device cables of 2 m (6.6 ft) per device. + the Extension Unit cables.

The following figure shows:

- the maximum of 40 components connected to the trunk: 3 Extension Units + 37 Discussion Devices = 40 components.
- the maximum number of Discussion Devices (245) connected to the system.

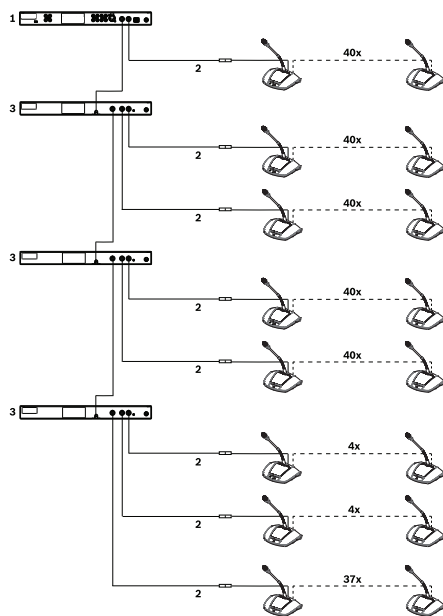


Figure 4.5: Example setup for a large system (max. 245 Discussion Devices)

1. Control Unit
2. Extension cable 20 m (66.0 ft) long
3. Extension Unit

4.5.3

Extension cables

Adding an extension cable longer than 20 m (66.0 ft) to a trunk/tap-off has a direct effect on the available power for the components connected in the daisy chain. A component can be a Discussion device or an Extension unit.

Use the following table to determine the total number of components that can be connected to a trunk/tap-off when one or more extension cables are connected to that trunk/tap-off.

- **Limit 1:** The maximum cable length for a trunk/tap-off is 100 m (328.0 ft). This includes all extension cables (including the first 20 m (66.0 ft) of extension cable) + the Discussion Device cables of 2 m (6.6 ft) per device. + the Extension Unit cables.

Tabletop discussion devices

Total length of extension cables per trunk/tap-off	Maximum number of components per trunk/tap-off
0 m to 20 m	40
20 m to 22 m	39
22 m to 24 m	38
24 m to 26 m	37
26 m to 28 m	36
28 m to 30 m	35
30 m to 32 m	34
32 m to 34 m	33
34 m to 36 m	32
36 m to 38 m	31
38 m to 40 m	30
40 m to 42 m	29
42 m to 44 m	28
44 m to 46 m	27
46 m to 48 m	26
48 m to 50 m	25
50 m to 52 m	24
52 m to 54 m	23
54 m to 56 m	22
56 m to 58 m	21
58 m to 60 m	20
60 m to 62 m	19
62 m to 64 m	18
64 m to 66 m	17
66 m to 68 m	16

Total length of extension cables per trunk/tap-off	Maximum number of components per trunk/tap-off
68 m to 70 m	15
70 m to 72 m	14
72 m to 74 m	13
74 m to 76 m	12
76 m to 78 m	11
78 m to 80 m	10
80 m to 82 m	9
82 m to 84 m	8
84 m to 86 m	7
86 m to 88 m	6
88 m to 90 m	5

Flush discussion devices

Total length of extension cables per trunk/tap-off	Maximum number of components per trunk/tap-off
0 m to 20 m	35
20 m to 22 m	34
22 m to 24 m	33
24 m to 26 m	32
26 m to 28 m	31
28 m to 30 m	30
30 m to 32 m	29
32 m to 34 m	28
34 m to 36 m	27
36 m to 38 m	26
38 m to 40 m	25
40 m to 42 m	24
42 m to 44 m	23
44 m to 46 m	22
46 m to 48 m	21
48 m to 50 m	20
50 m to 52 m	19

Total length of extension cables per trunk/tap-off	Maximum number of components per trunk/tap-off
52 m to 54 m	18
54 m to 56 m	17
56 m to 58 m	16
58 m to 60 m	15
60 m to 62 m	14
62 m to 64 m	13
64 m to 66 m	12
66 m to 68 m	11
68 m to 70 m	10
70 m to 72 m	9
72 m to 74 m	8
74 m to 76 m	7
76 m to 78 m	6
78 m to 80 m	5

The following figure shows:

- the maximum number of Discussion Devices (245) connected to the system.
 - an extension cable of 35 m (115.0 ft) connected to the trunk and each tap-off.
- In this example, the trunk can only have 32 components in total, because of the 35 m (115.0 ft) of extension cable connected to the trunk (refer to the previous table): 3 Extension Units + 29 Discussion Devices = 32 components.

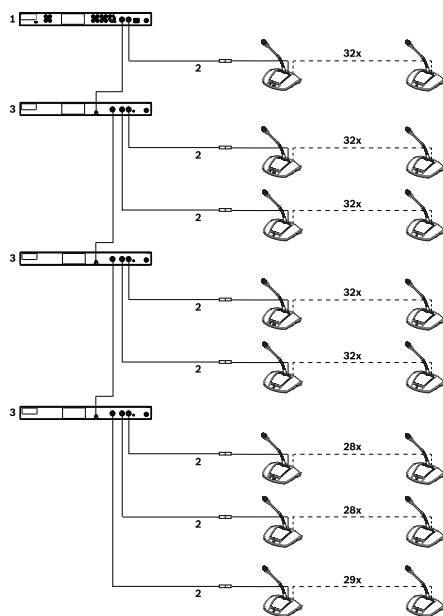


Figure 4.6: Example setup for a large system with 35 m of extension cable connected to the trunk and each tap-off

1. Control Unit
2. Extension cable 35 m (115.0 ft) long
3. Extension Unit

5 Installation

This section describes the installation requirements and options for the Control unit, the Extension unit, and the flush devices. The tabletop discussion devices are easily connected to the system through the plug-and-play method. Therefore, they are not included in this chapter.

5.1 Control unit and Extension unit

The Control Unit and Extension Unit can be placed on a table top or installed in a 19" rack:

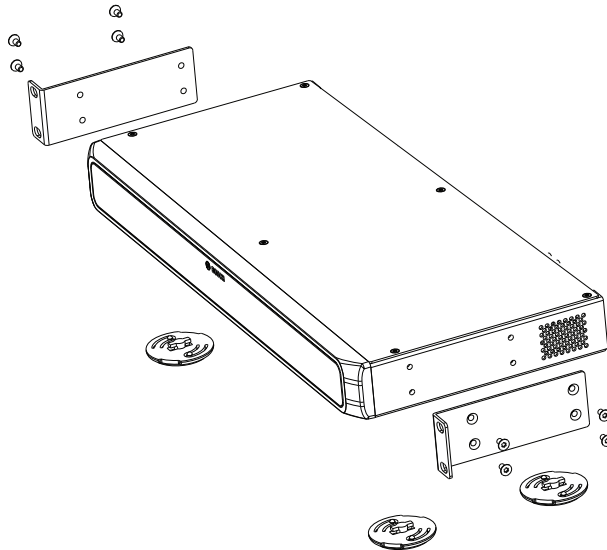


Figure 5.1: 19" rack installation

If you decide to install the unit(s) in a 19" rack:

- do not attach the feet to the bottom of the unit(s).
- make sure the rack is of suitable quality to support the weight of the unit(s).
- use the supplied 19" rack mounting brackets and screws to attach the unit(s) to the rack. Take care when lifting and attaching the unit(s).
- make sure the ventilation holes on the side of the unit(s) are unobstructed.
- make sure the temperature inside the rack cannot exceed +45 °C.

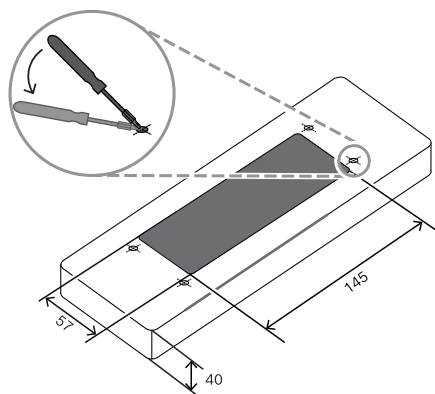
If you want to use the unit(s) on a table top:

- click the four feet into place at the bottom of the unit(s).
- keep the mounting brackets and screws in case you want to install the unit(s) in a rack in the future.

5.2 Flush devices

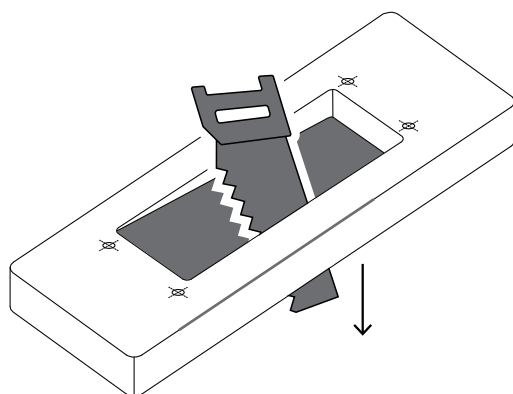
1. With a pen and a ruler, mark in the table where you are going to cut. Refer to the cutout template supplied with the product.
2. Following the template, drill the four pilot holes for the screws with a Torx T10 screwdriver.

Note: The maximum thickness of the table is 40 mm.

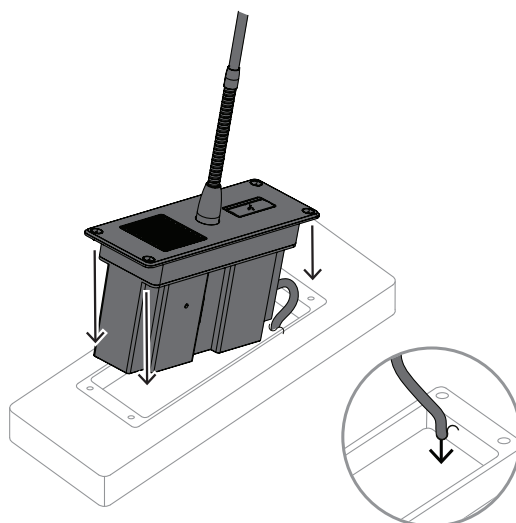


[mm]

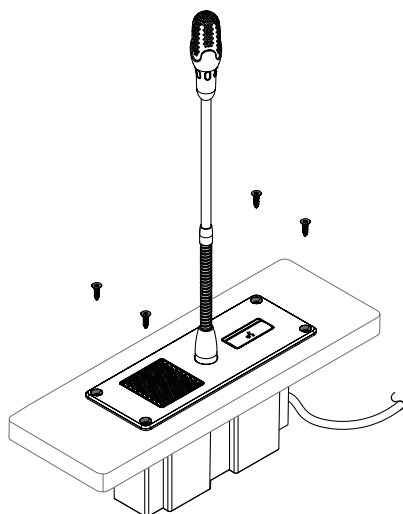
3. Cut the table according to the marks. For better results, use the Bosch jigsaw GST 650 equipped with the blades T 119 BO or T 144 D.



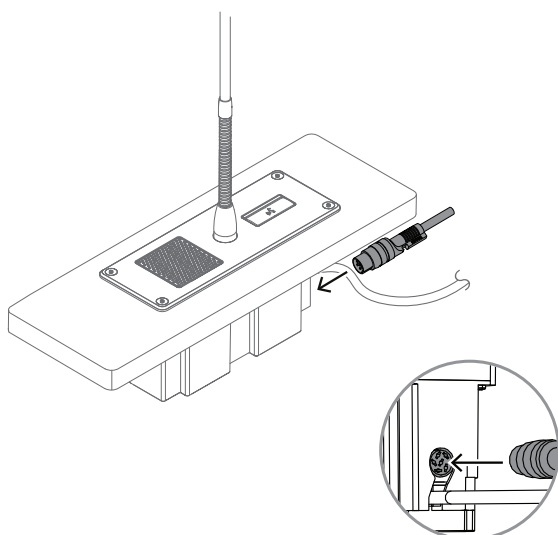
4. Insert the device into the table. Make sure the cable remains within the cut space and below the table.



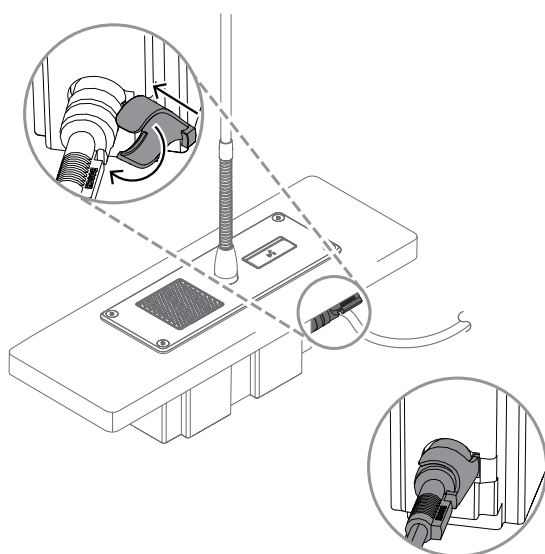
5. Fasten the four T10 screws to the device.



6. Insert the female connector.



7. The use of a cable clamp is optional.
If you chose to install a cable clamp, secure the DCN-DISCLM around the connector.



For details, refer to *Flush devices connections*, page 33.

6 Connections

This section describes the connections of:

- the Control Unit
- the Discussion Device
- the Extension Unit

6.1 Connect system components

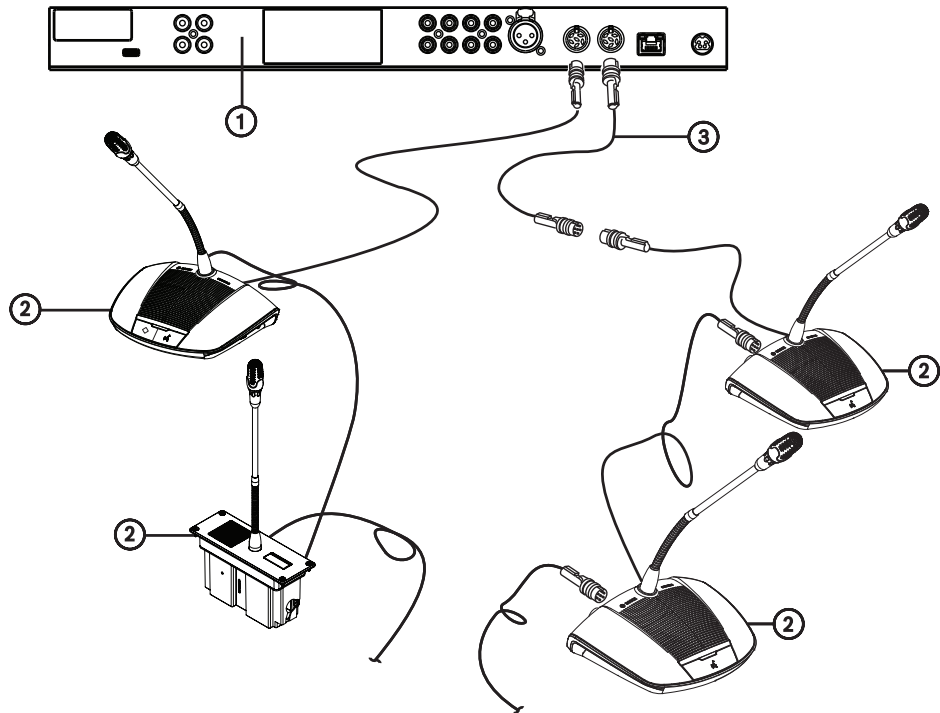


Figure 6.1: Connecting Discussion Devices

For detailed information on the connections of the CCS 1000 D Digital Discussion System, refer to:

- Control Unit connections, page 30
- Extension Unit connections, page 34
- Discussion Device connections, page 32

1. Connect the Discussion Devices (2) in a daisy-chain configuration, using extension cables (3) where required, to the 'Trunk' connectors at the rear of the Control Unit (1) and optional Extension Units.

Note: The above figure only shows a small system with a Control Unit. For the maximum number of Discussion Devices and Extension Units that can be connected to the system, including extension cables, refer to *Setup options and limits*, page 19.

2. Secure the system cables with cable clamps and cable locking clamps, as required.
3. If you want to use the web browser interface or system cameras with the CCS 1000 D Digital Discussion System, connect an RJ45 Ethernet cable to the 'Network' connector at the rear of the Control Unit.
4. Connect the other end of the Ethernet cable to an Ethernet switch, laptop, or PC.
5. Use RCA cables to connect audio equipment to the 'Audio In' and 'Audio Out' connectors at the rear of the Control Unit, as required. Inputs and outputs are not galvanic separated. If galvanic separation is required (e.g. to avoid hum), it must be provided externally.

6. Connect the supplied 24 VDC power supply connector to the 'power' connector at the rear of the Control Unit.
7. Connect the mains plug of the 24 VDC power supply to a mains supply. The system will automatically switch on at the moment the mains supply is connected. This allows the system to recover from a power failure.



Caution!

Non-approved power supplies can damage the equipment. Only use the original Bosch supplied 24 VDC power supply.

6.2 Control Unit connections

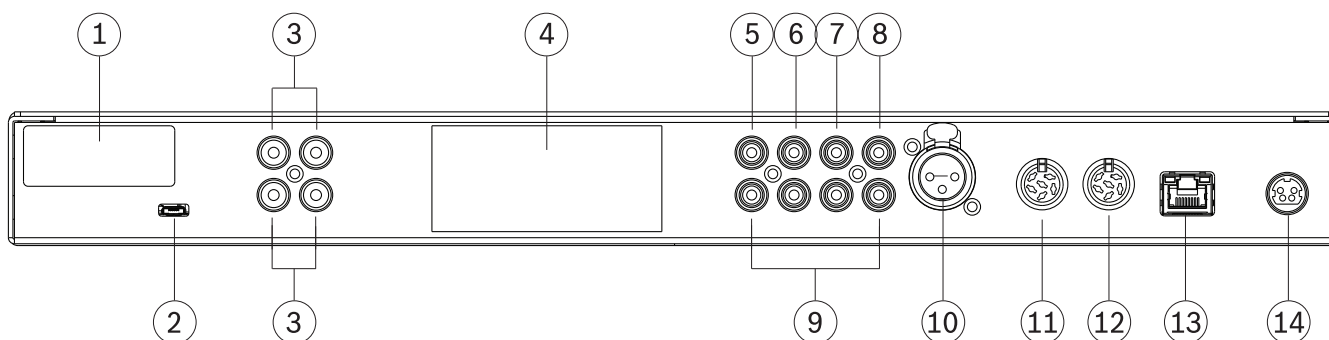


Figure 6.2: CCSD-CURD rear view

The CCSD-CURD has additional connections as indicated in the following table:

Number	Item	Description
1	FCC label	Label showing FCC Declaration of Conformity.
2	USB (CCSD-CURD only)	Micro USB connector for transferring the internal memory (recordings) to a PC. The micro USB connector cannot be used to directly record discussions to a USB device. The larger USB connector on the front panel of the unit should be used for that purpose. Note: Recordings cannot be saved to the internal memory or a USB memory stick when the micro USB connector is in use. Do not record discussions during the transfer of files!
3	RCA 'Audio Out' (CCSD-CURD only)	4 x audio output connectors for individual microphone recording, e.g. for recording individual speakers in a courtroom.
4	Product label	Label showing information on the product, such as: product type, serial number, technical data, and CE mark.
5	RCA 'Audio Out (1)'	Audio output connector for connecting a PA or sound reinforcement system to the discussion system. Enables proceedings to be transmitted to an audience in the same room or an adjacent room.
6	RCA 'Audio Out (2)'	Used with RCA 'Audio In (2)'. Audio output connector for either: <ul style="list-style-type: none"> - 'Recorder' for connecting an external recorder. - 'Insertion' for connecting an external audio processor. - 'Telephone/mix minus' for allowing a remote participant to join a discussion via a telephone/video connection.

Number	Item	Description
		<ul style="list-style-type: none"> – ‘Participant loudspeaker’ for distributing the participant loudspeaker signal to a sound reinforcement system. <p>Note: Only one piece of audio equipment can be connected to ‘Audio Out (2)’ at a time. The output can be configured by selecting the required option in the web browser interface. See <i>Audio</i> under the heading <i>System settings</i>, page 52.</p>
7	RCA ‘Audio In (1)’	Audio input connector for ‘Floor’, i.e. for connecting an external audio source, such as a CD or DVD player.
8	RCA ‘Audio In (2)’	<p>Used with RCA ‘Audio Out (2)’.</p> <p>Audio input connector for either:</p> <ul style="list-style-type: none"> – ‘Insertion’ for connecting an external audio processor. – ‘Telephone/mix minus’ for allowing a remote participant to join a discussion via a telephone/video connection. <p>This audio input routes an external audio signal into the system that is routed to the Discussion Devices loudspeakers. In the web browser interface, the mode setting of I/O 2 depends on whether this input is configured as insertion or mixed minus.</p> <ul style="list-style-type: none"> – Note: Only one piece of audio equipment can be connected to ‘Audio Out (2)’ at a time. The output can be configured by selecting the required option in the web browser interface. See <i>Audio</i> under the heading <i>System settings</i>, page 52.
9	RCA Audio	Additional audio input/output connectors that have the same function as items 5 through 8. These additional audio connectors can be used with their corresponding audio connector to increase the strength of the audio signal.
10	Microphone	3-pole XLR female (ambient) microphone connector with phantom (P24) supply for connecting an external microphone. This input is shared with Audio In (1) and has to be enabled in the web browser interface. Once enabled Audio In (1) cannot be used.
11	Trunk (1)	6-pole circular female connector for connecting Discussion Devices.
12	Trunk (2)	6-pole circular female connector for connecting Discussion Devices.
13	Network	RJ45 Ethernet socket for connecting a network cable. The Ethernet port is intended to connect a laptop or PC, IP camera’s and other equipment which is solely used to operate the CCS 1000 D system.
14	Power 24V 6A	4-pole circular female connector for connecting the 24 VDC power supply.



Caution!

Non-approved power supplies can damage the equipment. Only use the original Bosch supplied 24 VDC power supply.



Notice!

The audio inputs/outputs are mono but the audio connectors allow for the connection of stereo RCA cables.

Refer to

- System settings, page 52

6.3 Discussion Device connections



Figure 6.3: Rear and side view

Number	Item	Description
1	Headphone	3.5 mm (0.14 in) stereo headphone socket (on side of unit).
2	Trunk connection	2 m (78.7 in) cable with 6-pole circular male connector and cable lock for connecting to the previous component in the daisy-chain. This can be: <ul style="list-style-type: none"> - the Control Unit, - another Discussion Device, - an Extension Unit, or - an extension cable.
3	Trunk connection	6-pole circular female connector for connecting the next component in the daisy-chain. This can be: <ul style="list-style-type: none"> - another Discussion Device, - an Extension Unit, or - an extension cable.

6.4 Flush devices connections

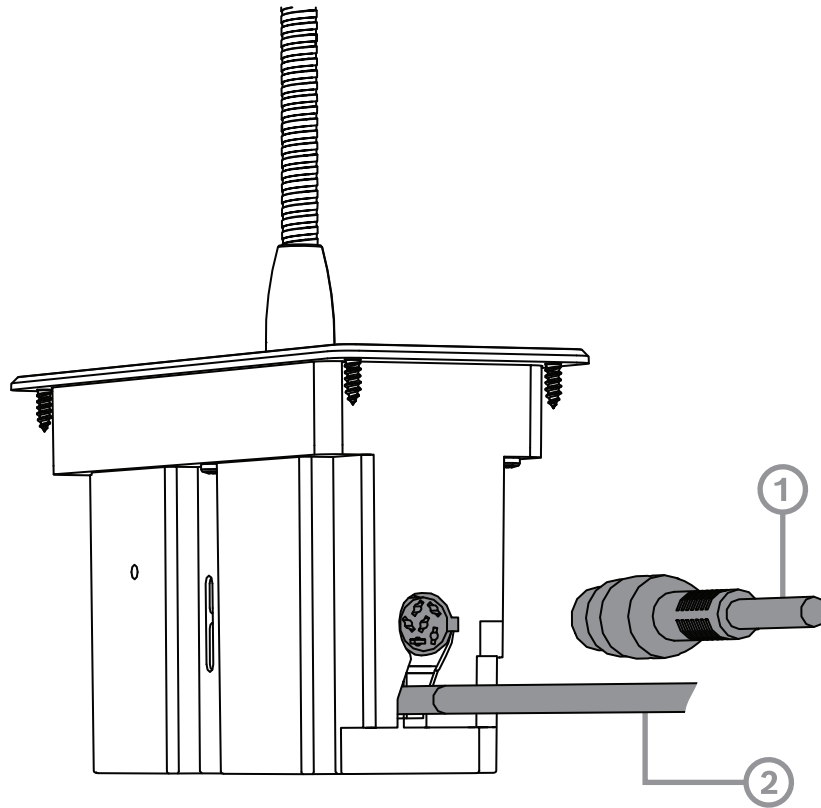


Figure 6.4: Side view

Number	Item	Description
1	Trunk connection	2 m (78.7 in) cable with 6-pole circular male connector and cable lock to connect to the previous component in the daisy-chain. This can be: <ul style="list-style-type: none"> - The Control unit, - Another Flush device, - An Extension unit, or - An extension cable.
2	Trunk connection	6-pole circular female connector to connect the next component in the daisy-chain. This can be: <ul style="list-style-type: none"> - Another Flush device, - An Extension unit, or - An extension cable.

6.5 Extension Unit connections

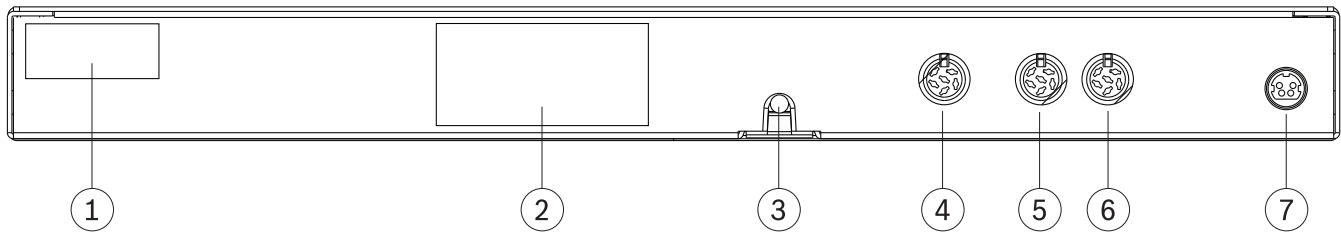


Figure 6.5: CCSD-EXU rear view

Number	Item	Description
1	FCC label	Label showing the FCC Declaration of Conformity.
2	Product label	Label showing information on the product, such as: product type, serial number, technical data, and CE mark.
3	Trunk cable with connector	2 m (78.7 in) cable with 6-pole circular male connector and cable lock for connecting the Extension Unit to the previous component in the daisy-chain. This can be: <ul style="list-style-type: none"> – the Control Unit, – another Extension Unit, – an extension cable, or – a Discussion Device.
4	Trunk connection	6-pole circular female connector for connecting the next component in the daisy-chain. This can be: <ul style="list-style-type: none"> – another Extension Unit, – an extension cable, or – a Discussion Device.
5	Tap-off connection	6-pole circular female connector for connecting Discussion Devices.
6	Tap-off connection	6-pole circular female connector for connecting Discussion Devices .
7	Power 24V 6A	4-pole circular female connector for connecting the 24 VDC power supply.



Caution!

Non-approved power supplies can damage the equipment. Only use the original Bosch supplied 24 VDC power supply.

7 Configuration

To configure the CCS 1000 D Digital Discussion System you can use:

- the touch buttons on the front of the control unit, or
- the web browser interface. For more information, see *Web browser interface*, page 43.

The control unit can be used to quickly view and change basic settings. The advantages of using the web browser interface to configure the system are:

- additional options and settings are available.
- settings can be easily managed remotely.



Notice!

Changes made on the control unit are automatically updated in the web browser interface and vice-versa.

7.1 Control Unit

1. After connecting power, the Control Unit automatically powers up. The power on/off LED turns green, and the other LEDs on the front panel are alternatively lit to indicate that the system is initializing. The system is ready for use when the LEDs are constantly lit.
2. Press the touch buttons on the front panel to set basic system settings. The LED indicators will change to indicate the setting. Refer to the following figure and table for more information on the settings:

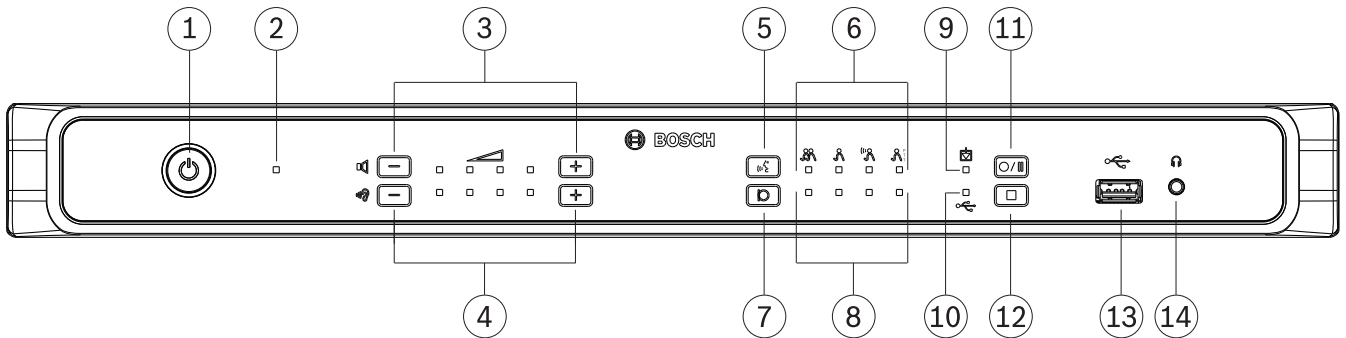


Figure 7.1: CCS-D-CURD front view

The CCS-D-CURD has additional features as indicated in the following table:

Number	Item	Description
1	Power on/off button	On/off push button for 24 VDC: Power on: Short press. Power off: Long press. Note: When the system is powered off, the 'waiting list' and 'speakers list' are automatically saved and will be available again when the system is powered on.
2	Power on/off LED	LED indicator for showing the on/off status. - Red: Power off. - Green: Power on or standby. Note: When the Control Unit is in standby, the Discussion Devices volume control LED (3) flashes slowly.

Number	Item	Description
3	Buttons and LED indicators for volume control of Discussion Devices	Plus/minus buttons for setting the volume of all Discussion Devices and Audio Out (1). The LED indicators show the selected volume in four steps of brightness per LED from left to right. Note: Audio Out (2) is not influenced by any setting.
4	Buttons and LED indicators for volume control of loudspeaker or headphones connected to the CCSD-CURD.	Plus/minus buttons for setting the volume of: – the built-in loudspeaker, or – headphones, if connected. The LED indicators show the selected volume in four steps of brightness per LED from left to right.
5	Discussion-mode button	Button for selecting one of the four discussion modes. Used in combination with the discussion-mode LED indicators (6).
6	Discussion mode LED indicators	LED indicators for showing the selected discussion mode. The following modes are indicated from left to right: – Open mode – Override mode – Voice activation mode – Push to talk (PTT) mode Note: If all LED indicators are off, 'open mode' is selected and 'auto shift' in the Prepare discussion page of the web browser interface is set to off. For detailed information on the discussion modes, see <i>Discussion modes</i> , page 38.
7	Speakers list size	Button for selecting the number of microphones that can be activated at the same time. Used in combination with the speakers list size LED indicators (8). A maximum of four microphones can be selected from the Control Unit. If the web browser interface is used, a maximum of ten microphones can be selected.
8	Speakers list size LED indicators	LED indicators for showing the number of activated (open) microphones. 1 to 4 open microphones: the LEDs are individually lit to show the number of open microphones. 5 to 10 open microphones: a combination of LEDs are lit to show the number of open microphones; for example, if there are six open microphones, LED numbers 2 and 4 are lit.
9	Internal recording LED indicator (CCSD-CURD only)	LED indicator for showing the status of internal recordings: – Green continuous: Internal memory selected; ready for recording. – Red continuous: Recording is taking place. – Red flashing once a second: Recording paused. – Red flashing twice a second: 5 minutes of recording left. Three short beeps, from the monitor loudspeaker, will also be sounded to alert the user. – Red/green flashing: Discussions cannot be recorded to the internal memory (i.e. internal memory is full). A single long beep will also be sounded to alert the user.
10	USB recording LED indicator (CCSD-CURD only)	LED indicator for showing the status of USB memory stick recordings: – Green continuous: USB memory stick selected: Ready for recording.

Number	Item	Description
		<ul style="list-style-type: none"> – Red continuous: Recording is taking place. – Red flashing once a second: Recording paused. – Red flashing twice a second: 5 minutes of recording left. Three short beeps will also be sounded to alert the user. – Red/green flashing: Discussions cannot be saved to the USB stick (i.e. USB memory stick is full, incorrectly formatted, or damaged). A single long beep will also be sounded to alert the user. <p>Note: The USB recording LED will be automatically selected and deselected when the USB memory stick is inserted and removed from the USB connector at the front of the Control Unit.</p>
11	Start/pause recording button (CCSD-CURD only)	Button for starting and pausing a recording session. See <i>Recording and playing back discussion</i> , page 60.
12	Stop recording button (CCSD-CURD only)	Button for stopping a recording session.
13	USB connector (CCSD-CURD only)	USB connector for connecting a USB memory stick.. For information on the USB memory stick requirements, see <i>Additional components</i> , page 15.
14	Headphone socket (CCSD-CURD only)	3.5 mm (0.14 inch) stereo headphone socket for connecting headphones (for listening to recorded discussions). When headphones are connected, the built-in loudspeaker is muted.

7.1.1

Discussion modes

The discussion modes: **Open**, **Override**, **Voice**, and **Push To Talk (PTT)** can be selected by using:

- The discussion mode button on the front panel of the Control Unit, or
- The web browser interface. In the prepare discussion page, click a discussion mode at the top of the page to select it. The button will be highlighted grey, and the options for that discussion mode will be activated.



Open

Participants can issue a request to speak by pressing their microphone button. The request could be granted immediately, placed in a waiting list or ignored. The request to speak of one participant will not remove another participant from the speakers list; the participant must wait their turn. The chairperson's microphone and interruption microphone are not included in the number of speakers/open microphones, so that participants using these microphones do not have to wait to speak. The speakers list and waiting list can be viewed and managed in the web browser interface.



Override

Participants can issue a request to speak by pressing their microphone button. The request could be granted immediately or ignored. The request to speak of one participant could remove another participant from the speakers list; the longest open microphone will be closed if needed to comply with the configured maximum number of open microphones. The chairperson's microphone and interruption microphone are not included in the number of speakers/open microphones, so that they cannot be 'overridden' by a participant. The speakers list can be viewed and managed in the web browser interface. The waiting list is not used in this mode.



Voice

Participants can issue a request to speak by speaking into their microphone. The request will be granted if the participant speaks loud enough, otherwise the request is ignored. There are no speakers or waiting lists in the web browser interface.

Note: A microphone can be temporarily muted by pressing and holding down the microphone button.




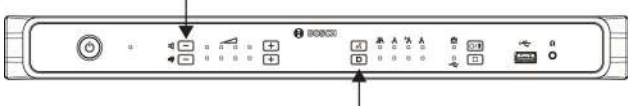

Push To Talk (PTT)

Participants can issue a request to speak by pressing their microphone button. The request could be granted immediately or ignored. If the request is granted, the participant has to keep the button pressed in to speak; the microphone is deactivated when the microphone button is released. The request to speak of one participant will not remove another participant from the speakers list; the participant must wait their turn. The chairperson's microphone and interruption microphone are not included in the number of speakers/open microphones, so that participants using these microphones do not have to wait to speak. The speakers list can be (viewed and) managed in the web browser interface. The waiting list is not used in this mode.

7.1.2 Key combinations

Key combinations can be selected on the front panel of the Control Unit to reset or initialize system settings (refer to the following table).

Push and hold in the key combinations for a few seconds until the LEDs on the front panel change status.

Option	Key combinations on Control Unit
<p>De-initialize Discussion Devices</p> <p>Erases the addresses of all Discussion Devices. All LEDs on a Discussion Device go on when the address is erased. Initialize each of the Discussion Devices, as described in <i>Initialize Discussion Device, page 41</i>.</p>	
<p>Reset login details</p> <p>Resets the following for the web browser interface:</p> <ul style="list-style-type: none"> - the admin account password. - the network settings. <p>Use this option if you have forgotten the hostname or password.</p>	
<p>Set factory defaults</p> <p>Resets all system settings and values to the factory defaults.</p>	



Notice!

When the system is reset to the factory defaults, the latest version of the software that the system was upgraded to will be maintained.

7.2 Discussion Device

This section describes how to configure the device.

7.2.1 Configure Discussion Device

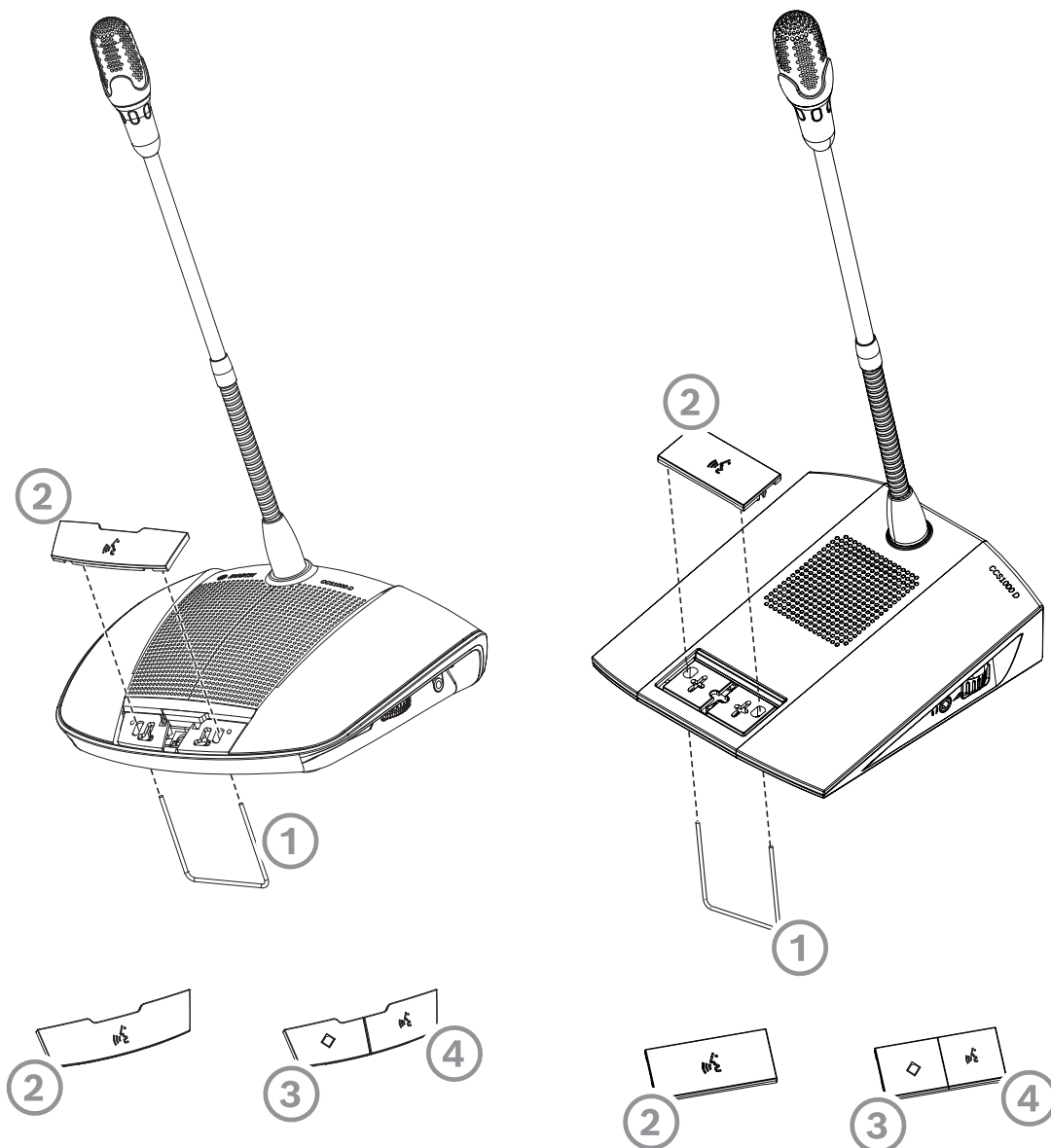


Figure 7.2: Exchanging the buttons

The Discussion Device is delivered as a participant's device. To configure the device as a chairperson's device:

1. Unplug the device from the system cabling.
2. Use the exchange tool (1) to push the single microphone button (2) from the device as shown (store the single button in a safe place).
3. Preposition and then gently press the chairperson's priority button (3) and microphone button (4) into place. Do not use excessive force!
4. Set the slide-switch (2) at the base of the device from the participant's setting (0)' to the chairperson's setting (1)'. See figure in *Erase address*, page 41.
5. Reconnect the device to the system cabling. A restart of the system is not necessary.

A total of 25 Discussion Devices can be configured as chairperson's devices/interruption microphones. For example: 22 chairperson's devices + 3 interruption microphones = 25 devices in total.



Notice!

For the CCSD-Dx2 devices, you must order the set of chairperson buttons separately (DCNM-DCBCM) in order to replace the default microphone button.

Refer to

- Erase address, page 41

7.2.2

Initialize Discussion Device

When you power-up a device for the first time, it does not have an address. To indicate this:

- The microphone LED indicator is red.
- The button LED indicator is multicolor (mix of red, green and white).

To initialize the device

1. Push the microphone button once.
When all the LEDs turn off, the device is ready.
If the device does not work, refer to Device de-initialization.
2. Push the microphone button again.

7.2.3

Erase address

1. Push and release the concealed initialization button (1) at the base of the discussion device:
 - The microphone LED indicator is red.
 - The button LED indicator is multicolor (mix of red, green and white).
2. Initialize the device as described in *Initialize Discussion Device*, page 41.

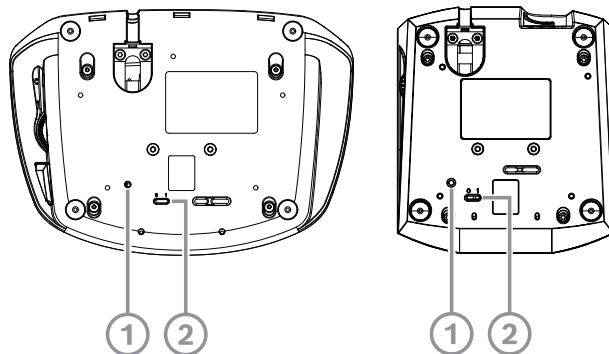


Figure 7.3: Base view

1	Concealed initialization button	2	Slide-switch for configuring
---	---------------------------------	---	------------------------------

You can also erase the address in the web browser interface by clicking the de-init button on the **Seat settings** page. For more information, refer to *System settings*, page 52 > Seats.

Refer to

- *Initialize Discussion Device*, page 41

7.3

Flush devices

7.3.1

Initialize flush device

When you power-up a device for the first time, it does not have an address. To indicate this:

- The microphone LED indicator is red.
- The button LED indicator is multicolor (mix of red, green and white).

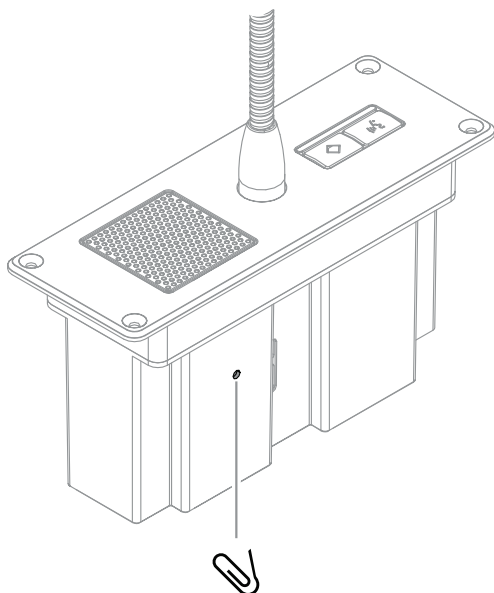
To initialize the device

1. Push the microphone button once.
When all the LEDs turn off, the device is ready.
If the device does not work, refer to Device de-initialization.
2. Push the microphone button again.

7.3.2

De-initialize flush device

1. Make sure the units that need to be de-initialized are powered through the controller.
2. Gently push and release the button on the side of the device with a paper clip.
The LED of the microphone is red. The button LED is multicolor.



3. Refer to Device initialization.

Note: You can also remove the address in the web-browser interface of the controller. To do so, click the **De-init** button in the **Seat settings** page.

7.4 Extension Unit

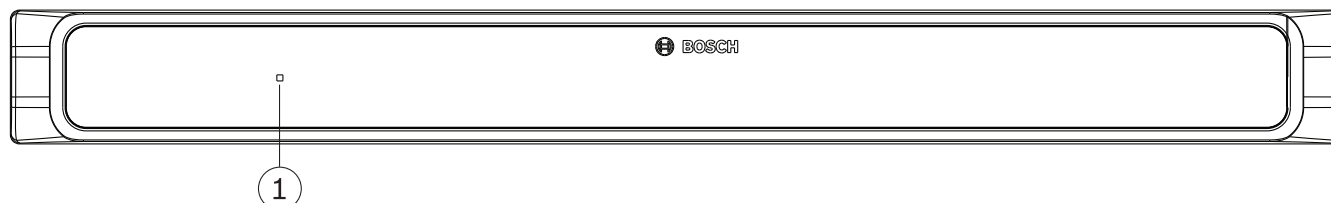


Figure 7.4: CCSD-EXU front view

The Extension Unit is switched on and off automatically with the Control Unit.

Number	Item	Description
1	Power on/off LED	LED indicator for showing the on/off status <ul style="list-style-type: none"> – Red: Power off or standby. – Green: Power on.

7.5 Web browser interface

This section describes how to configure the web browser interface.

7.5.1 First use configuration

The web browser interface of the CCS 1000 D Digital Discussion System is used to:

- upgrade the system software.
- configure the CCS 1000 D Digital Discussion System.
- prepare and manage discussions.

Web browser

The CCS 1000 D Digital Discussion System is compatible with and optimized for the latest version of these web browsers:

- Internet Explorer
- Safari
- Firefox
- Opera
- Chrome

Preconditions

- All used system components are connected, as described in *Connect system components*, page 29.
 - The Control Unit is connected via the Ethernet network port to your (wireless) network.
 - The Control Unit is switched on.
- All Discussion Devices are correctly configured, as described in *Configure Discussion Device*, page 40.
- A configuration tablet device and/or PC/laptop, including a compatible web browser is switched on.
- Make sure that mDNS is available on your device that is used to connect to the CCSD-CU(RD) webpage.
 - Windows from version 10 (version has native support of mDNS. In case mDNS is not available, Bosch DNS-SD can be used and can be downloaded here: <https://softwaredownload.keenfinity-group.com/conference>).
 - Apple device natively supports mDNS.
 - Android devices natively support mDNS starting from version 10.

Create a connection to the web browser interface

1. Open your web browser.
2. Enter the (link-local) default web address of the Control Unit: `http://CCS1000D.local`
 - The default hostname is: `CCS1000D.local`
 - Remove the `.local` for domain servers.
3. A login page is displayed.

Log in and update the system software

1. Log in to the web browser interface. Refer to *Login*, page 45.
2. Update the system software. Refer to *Upgrade in System settings*, page 52.

Refer to

- Connect system components, page 29
- Configure Discussion Device, page 40
- Login, page 45
- System settings, page 52

7.5.2

Login

Multiple users can log in to the CCS 1000 D system at the same time, providing they log in on separate web browsers or separate devices (tablet, laptop or PC).

First time login

Since version 1.7, when logging in for the first time, the user must follow a wizard to configure the system.

1. Select the desired language and click **Setup device** to start the configuration.
2. Press the button sequence on the device indicated on the screen. Click the **Next** button once you complete the sequence correctly to advance to the next screen.
3. Click the **Change password** button if you wish to change the user password.



Notice!

When upgrading from version 1.6 or lower to version 1.7 or higher, the wizard is displayed if no password is set.

Normal login

1. Enter the username and password.
 - The default username for the latest software version is 'admin'.
 - the password does not have to be filled in.

Note: if you are upgrading the software from a previous version of which the default username is 'Technician', after the upgrade the username will be set to 'admin'.
2. Select the required language from the dropdown list, and then click login.
 - The default language is the language of the operating system running the browser.
 - if the default language is not available, English is automatically selected.
3. If the login is successful, the homepage is displayed:












Figure 7.5: Homepage (CCSD-CURD)








Notice!

Some web browser interface options may not be available for the CCSD-CU, because this version of the Control Unit does not have DAFS and recording functionality.

Homepage buttons:

Button	Description	Access right
 Manage discussion	To manage a discussion. See <i>Manage discussion</i> , page 49.	Manage meeting
 Prepare discussion	To prepare a discussion. See <i>Prepare discussion</i> , page 50.	Prepare meeting
 Manage recorder (CCSD-CURD only)	To manage the recorder. See <i>Manage recorder</i> , page 50.	Manage meeting
 System settings	To configure the system. See <i>System settings</i> , page 52.	Configure or Modify users
 Power	<p>On Activates the Control Unit. After a few seconds, the system is ready for use.</p> <p>Standby: Sets the Control Unit to 'standby' and switches off the devices:</p> <ul style="list-style-type: none"> - All LEDs on the Discussion Devices go out. - To indicate that the Control Unit is in 'standby', the green power on LED on the front panel is lit, and the Discussion Devices volume control LED flashes slowly. All other LEDs are off. - The 'waiting list' and 'speakers list' are cleared. - Recording is stopped, if active. <p>Cancel: Closes the 'power' pop-up window.</p>	Prepare system
 Logging	Overview and saving of system events. See <i>Logging</i> , page 58.	Configure
 System info	Overview of MAC and IP addresses and software versions of the Control Unit and web browser interface application. See <i>System info</i> , page 58.	Configure
 Logout	Exits the discussion application and returns you to the login page. See <i>Logout</i> , page 58.	None
 Home	Returns you to the web browser interface homepage.	None

Button	Description	Access right
 Back	Returns you to the previous page.	None
 Start recording (CCSD-CURD only)	<p>Click the 'start recording' button to start recording. When recording is started, the 'pause' button and 'stop recording' button are displayed.</p> <p>Note: The 'start recording' button is hidden when the recording memory is full.</p> <p>Note: When an audio file is being played from the Manage recorder page of the web browser interface, a recording can only be started from the front panel of the Control Unit. The 'start recording' button is disabled.</p>	Manage meeting
 Pause recording (CCSD-CURD only)	Click the 'pause' button to pause recording.	Manage meeting
 Stop recording (CCSD-CURD only)	Click the 'stop recording' button to stop recording.	Manage meeting
 Master volume	Opens the master volume control slider. Controls the discussion devices loudspeaker and Control Unit audio output level.	Configure or Manage meeting

7.5.3



Manage discussion

Preconditions:

- The logged on user must have the access right: **Manage meeting**.

Manage discussion means:

- View and control the waiting list and speakers list
- Control recording (CCSD-CURD only)
- Control master volume

Click the **Manage discussion** button on the homepage to open the manage discussion page.

This page shows the discussion list, which has separate lists for waiting participants (left side of page), and speakers (right side of page).

Note: The waiting participants list is only available in the 'Open' discussion mode. In the 'Voice' activation mode, both the speakers list and the waiting participants list are not available.

- Click the + button to select and add participants to the waiting list or speakers list.
- Click the recycle bin to remove a seat from the waiting list or speakers list.
- Use the shift button, to shift participants from the waiting list or speakers list. If the speakers list is full, the longest speaking participant is removed from the list.
- Click the **Stop and remove all** button to remove all waiting speakers and speakers from the lists.

The maximum number of seats that can be added to the speakers list can either be set:

- on the **Prepare discussion** page. See *Prepare discussion*, page 50, or
- on the Control Unit. See *Control Unit*, page 35.

Note: The maximum number of seats does not include the chairperson's seat or the Discussion Device configured as an interruption microphone, because the chairperson's microphone and the interruption microphone can always be activated.



Recording (CCSD-CURD only)

This section describes the recorder buttons on the menu bar that is displayed at the bottom of every page. Recordings are saved to the internal memory or a connected USB memory stick. For more information on manage recorder options, see *Manage recorder*, page 50.

Click the 'start recording' button to start recording. When recording is started, the 'pause' button and 'stop recording' button are displayed:

- Click the 'pause' button to pause recording.
- Click the 'stop recording' button to stop recording.

Note: The 'start recording' button is hidden when the recording memory is full.

Note: When an audio file is being played from the manage recorder page of the web browser interface, a recording can only be started from the front panel of the Control Unit. The 'start recording' button is disabled.

Recording can also be managed by using the buttons on the front panel of the CCSD-CURD. For detailed information, see:

- the table in *Control Unit*, page 35.
- *Recording and playing back discussion*, page 60.



Master volume control

Click the master volume control button to adjust the audio output level of the Discussion Devices and Control Unit.

7.5.4



Prepare discussion

Preconditions:

- The logged on user must have the access right: **Prepare meeting**.

Prepare discussion means:

- Define the discussion settings.

Click the **Prepare discussion** button on the homepage to open the prepare discussion page.

- **Discussion mode:**
 - Select the required **Discussion mode (Open, Override, Voice or Push To Talk**. For a detailed description of the discussion modes, refer to *Discussion modes*, page 38.
 - **Auto shift** (Open mode only): When selected, queues in the waiting list are automatically shifted to the speakers list, if it is not full.
- **Speakers options:**
 - **Maximum number of speakers:** Selects the maximum number of speakers allowed in the speakers list.
Note: The maximum number of speakers does not include the chairperson's microphone or the interruption microphone.
 - **Switch microphone off when not used for 30 seconds:** This feature can be used when participants forget to switch off their microphones. It does not work when: "Voice" or "PTT" modes are selected; the Discussion Device is configured as a chairperson's device; the microphone was already switched on before this feature was enabled (these Discussion Devices are excluded until they are switched off and back on again); there are less than three Discussion Devices with an inactive microphone; "Auto shift" and "Allow speakers to switch off their microphone" are disabled in "Open mode".
 - **Allow participants to switch off their microphone:** When selected, participants are allowed to switch off their microphone.
 - **Show Possible To Speak:** When selected, enables the possible-to-speak feature: A white indicator above the microphone button in the Discussion Device is lit when the microphone can be immediately activated.
- **Waiting options:**
 - **Maximum number of waiting:** Selects the maximum number of requests allowed in the waiting list.
 - **Allow participants to remove themselves from the waiting list:** When selected, participants can remove themselves from the waiting list.
 - **Show the first in the waiting list on the seat:** When selected, the LED indicator above the microphone button and in the head of the microphone of the Discussion Device that is first in the waiting list will blink green instead of being steady green.
- **Priority options:**
 - **Priority chime audible:** When selected, a priority chime is audible when the Discussion Device priority button is used.
 - **Mute all speakers:** When selected, all speakers are temporarily muted when the Discussion Device priority button is used.
 - **Stop all speakers and remove all waiting participants:** When selected all speakers and requests are cancelled when the Discussion Device priority button is used.

7.5.5



Manage recorder

Preconditions:

- The logged on user must have the access right: **Manage meeting**.

Click the **Manage recorder** button (CCSD-CURD only) to open the manage recorder page.

The recorder is used to manage recordings and playback (discussion) recordings. External audio files/recordings can also be uploaded and played. Recordings can be saved to a connected USB memory stick or the internal memory. See also *Recording and playing back discussion*, page 60.

The following functions are available:

- **Playback:**
 - **Pre-listen on Control Unit:** When selected, the selected audio file can only be listened to on the CCSD-CURD.
 - **Playback to floor:** When selected, the selected audio file can be listened to on the system audio floor channel.
- **Recordings** overview list including time length of each file:
 - If a USB stick is connected, only the USB memory (recording) files are listed.
 - If no USB stick is connected, only recorded files of the internal memory are listed.
- **Recording time left:** Shows the remaining internal memory or USB memory stick recording time.
- **Progress indicator bar:** Shows the time length of the recording.
- **Fast backward and fast forward buttons** (while playing the audio file): Shifts the playback backwards or forwards by 10 seconds.
- **Stop button:** Stops playback or recording.
- **Record/pause button:** Starts/pauses recording.
- **Playback/pause button:** Plays/pauses the audio file.
- **Recycle bin button** (Only visible when a file is selected): Deletes the selected file from the used memory and overview.

Note: For more information on recording and playing back audio files, refer to *Recording and playing back discussion*, page 60.

7.5.6



System settings

Preconditions:

- To access **System settings** and change parameters, the logged on user must have the access right: **Configure** and/or **Modify users**.

Click the **System settings** button on the homepage to open the system settings page.



Figure 7.6: CCSD-CURD system settings



Users

Click the **Users** button on the system settings page to open the user settings page:

This page is used to enter and modify user information and rights.

- To add a user, click the + button to open the **Add new user** screen.
- To change a user's name, select the user (the dark grey color means selected), and then use the panel on the opposite side of the page to make changes.
- To change a user's password, select the user, and then click the **Change password** button.
- To change a user's rights, select the user, and then click the required **User rights** button.
- To remove a user, select the user, and then click the recycle bin.

For each (new) user, the following can be entered or selected:

- General: Enter **First name**, **Last name**, **Username**, **Password** (may be empty).
- **User rights**: select the required user right (grey means selected):
 - **Manage meeting**: This right gives access to the manage discussion and manage recorder pages, and volume control. Refer to *Manage discussion*, page 49 or *Manage recorder*, page 50.
 - **Prepare meeting**: This right gives access to the prepare discussion pages. Refer to *Prepare discussion*, page 50.
 - **Modify users**: This right gives access to the users page.
 - **Configure**: This right gives access to the system settings page (excluding the users page, unless the user has the right 'modify users'), the system info and logging pages, and volume control.
 - **Prepare system**: This right gives access to the power page.



Audio

Click the **Audio** button to open the audio settings page:

- **System:**
 - **Master:** Master volume to control the loudspeakers of the discussion devices and the PA (audio output 1).
 - **LSP:** Individual volume control for the loudspeakers of the discussion devices.
 - **PA:** Individual volume control for the PA (audio output 1).
- **Line input/output:** Sets the sensitivity of the analogue audio input and audio output levels 1 and 2 of the Control Unit.
- **XLR Microphone:** Defines the mode of audio input 1 of the Control Unit:
 - When selected, it enables input 1 (XLR) for microphone signal level.
 - When not selected, it enables input 1 (RCA socket) for audio line input level.
- **Routing options I/O 2:** Defines the audio routing mode of input 2 and output 2 of the Control Unit:
 - **Recorder:** Use the recorder mode to connect an external recorder via audio input 2 and output 2.
 - **Floor:** In floor mode, audio input 2 and output 2 are used, and the level is controlled independently.
 - **Mix-minus:** Use the Mix-minus mode to connect two systems via audio input 2 and audio output 2.
 - **Insertion:** In the Insertion mode, audio output 2 and audio input 2 are both used to add signals from external audio devices. For example, connection of an external audio mixer between audio output 2 and audio input 2.
- **Line output:** Sets the sensitivity of the analogue audio input and audio output levels 3, 4, 5, or 6 of the Control Unit.
- **Individual microphone output (CCSD-CURD only):** Select the routing of the analogue audio outputs 3, 4, 5 or 6 of the Control Unit:
 - Select 3, 4, 5 or 6 to enable selectable microphones for individual recording.
- **Digital Acoustic Feedback Suppression (DAFS):** Settings for the DAFS function:
 - **Off:** Sets the DAFS function to off.
 - **Natural:** Sets the DAFS function to on.
 - **Maximum:** Sets the system volume to a maximum with minimal risk of acoustic feedback (howling) occurring.
 - Note:** Audio artifacts might occur at higher volume levels.
- **Feedback prevention:**
 - **Loudspeaker active when microphone is on:** The participant's loudspeaker is active when their microphone is on.
 - **Attenuate headphone when speaking:** Attenuates the headphone volume of the Discussion Devices with 18 dB when selected and the microphone is on.



Cameras

A total of 6 cameras can be connected to the CCS 1000 D Digital Discussion System.

Click the **Cameras** button to open the camera settings page.

- **Overview camera:** Sets the camera used as the overview camera.
- **SDI Switcher:** Enter the IP address of the HD-SDI video switcher. Do not use leading zeros. If leading zeros are entered, the CCS 1000 D Digital Discussion System will not be able to control the switcher.

Example:

- Correct IP address: 192.168.10.111
- Incorrect IP address: 192.168.010.111

- Recycle bin: Click the recycle bin icon to remove the selected camera. Note: Only a disconnected camera can be removed.
- **Camera settings** overview: Here an overview of all connected cameras is listed. The overview list shows: the **Camera name**, **URL**, **Serial number**, **Username**, **Password**, **Protocol**, and to which video switcher **Input** the camera is connected to.
 - The camera **Serial number** is used as a link to the camera configuration web pages.

Note: Only possible if your PC/laptop or tablet device is connected via the wired Ethernet connection of the system.

**Notice!**

Ensure that the Bosch ONVIF Camera has firmware 5.80 or higher.

ONVIF cameras

ONVIF cameras are automatically detected, but you still need to:

1. Enter a username and password if the camera has a username and password configured.
2. Select the switcher input the camera is connected to.

Panasonic and Sony cameras

The system supports Sony IP cameras via CGI commands for 300/360 series, and Panasonic IP cameras via CGI protocol (HD Integrated Camera Interface Specifications 1.06).

Panasonic and Sony cameras are not automatically detected. You need to:

1. Manually add the camera using the + button.
2. Enter the camera URL (as http:// for a non-secure connection or https:// for a secure connection).
3. Enter the username and password for the camera.
4. In the **Protocol** field, select Sony for Sony cameras, and Panasonic for Panasonic cameras.
5. Select the switcher input the camera is connected to.

Until the camera is properly connected, a trash can is displayed next to the **Camera name** allowing you to delete the camera.

Once the camera is connected (the **URL**, **Username**, **Password** and **Protocol** fields are all correct) you can browse to a specific camera using the link in the **Serial number**.

Note: Only a disconnected camera can be removed.

**Notice!**

You can use the **Camera name** to assign a logical name to the camera, e.g. right rear camera.

**Network and general settings**

Click the **Network and general settings** button to open the network and general settings page. Here the network and general settings are displayed and can be set:

Click the **Change network settings** button to enter/change the network settings:

- **Network settings:**
 - **Hostname:** The default hostname is CCS1000D

Note: When changing the hostname or (de)activating the fixed IP address in the web browser interface (see below), the laptop/PC might lose the connection with the Control Unit. If this happens, close and then re-open the web browser interface.
- **Wired:**

- **Fixed IP:** Select this checkbox if you want to use a fixed IP address. The fields below change from grey to white to indicate that they are activated.
- **IP Address:** Enter a valid IP address.
- **Subnet mask:** Enter a valid subnet mask.
- **Default gateway:** Enter a valid default gateway.
- **General settings:**
 - **Automatically shutdown the system when not used** (energy saving mode): When selected, the control unit is automatically shut down when it is not used for two hours. The 'waiting list' and 'speakers list' are automatically saved, and will be available when the system is powered on.
Note: This feature does not apply to the voice activation mode.
 - **Factory default:** Click the factory default button to reset all system settings and values to the factory defaults.



Notice!

When the system is reset to the factory defaults, the latest version of the software that the system was upgraded to will be maintained.



Recorder (CCSD-CURD only)

Click the **Recorder** button to open the recorder settings page.

The following recorder settings are available:

- **Source:** Select which audio source must be recorded:
 - **Floor only:** The audio of the floor discussion language is recorded.
 - **Floor and output 3, 4, 5, 6:** The audio of the floor discussion language and selected audio output signal (3-6) are mixed and recorded.
- **Bit rate:** Select the recording audio quality (from 64 kbps (lowest) up to 256 kbps (highest)).
- **Automatically pause recording when all microphones are switched off:** Recording is paused when no microphone is active.



Seats

Click the **Seats** button to open the seat settings page.

Here the seat settings for the Discussion Devices can be configured:

- **Seats overview:**
 - **(x-y):** **x** = number of Discussion Devices currently connected to the system and initialized. **y** = historical number of Discussion Devices connected to the system. Click one of the square icons on the left of this page to locate a Discussion Device in the meeting room. When a tick is displayed in the checkbox, the light-ring indicator in the corresponding microphone is lit red and the LED indicator above the microphone button flashes.
Note: This is only possible when the **Selection mode** checkbox at the left bottom of the page is selected.
 - **Seat name:** Click in the **Seat name** dialog box and enter/change the seat name as required.
 - **Mode:** The settings in the Mode column can be used to change the function of individual seats/Discussion Devices. A Discussion Device can be configured as an 'interruption microphone' that can always get the floor regardless of the number of open microphones. The 'interruption microphone' has the same rights as the chairperson except for priority. The participant using the 'interruption microphone' is not added to the request list. Typically an

interruption microphone is positioned at a podium for use by guest speakers. A total of 25 Discussion Devices can be configured as a chairperson's device or interruption microphone. For example, 22 chairperson's devices + 3 interruption microphones = 25 devices in total.

Normal: The Discussion Device operates as a participant device.

Button: The Discussion Device operates as an interruption microphone. The speaker has to push and release the button to enable the microphone and push and release the button again to disable the microphone.

PTT (Push-to-talk): The Discussion Device operates as an interruption microphone. The microphone is enabled for as long as the speaker pushes and holds in the microphone request button.

Note: To use the interruption microphone setting, the slide switch at the base of the discussion device must be set to participant. Refer to *Configure Discussion Device*, page 40.

- **Camera:** The camera name connected to the seat.
- **Pre-position:** Camera preposition setting number assigned to the seat.
- **Selection mode** (select on Discussion Devices): When selected, a Discussion Device can be located by selecting the seat in the list or by pushing the Discussion Device microphone request button. The Discussion Device LEDs are illuminated.
 - When the 'selection mode' is active, the Discussion Devices cannot be used for discussion. They can, however, still be selected/located.
- **De-init** button: When clicked, it erases the address/subscription of the selected Discussion Device:
 - The microphone LED indicator is red.
 - The button LED indicator is multicolor (mix of red, green and white).
 - Initialize the Discussion Device as described in *Initialize Discussion Device*, page 41.
- **Remove disconnected seats** button: Removes the subscribed seats from the seats overview.



Date and time (CCSD-CURD only)

Click the **Date and time** button to open the date and time settings page.

Click the **Change date and time settings** button to select:

- **Time:** Select the local time.
- **Date:** Select the current date.



Upgrade



Notice!

Upgrade is not available on tablets.

- **Select:** Used to select and deselect products (rows) on the **Upgrade** page.
- **Device name:** The name of the product being upgraded.
- **Type:** Type of product being upgraded.
- **Version:** Software version that the product will be upgraded to.
- **State:** State of the software upgrade (**Idle**, **Programming**, **Rebooting**, **Done**, or **Failed** after reboot). If the upgraded file is corrupt or not recognized, an error message is displayed.
- **Progress:** Progress bars for indicating the status of the software upgrade.
- **Start** button: Starts the software upgrade.

Click the **Upgrade** button to open the software upgrade page.

The **Upgrade** page is used to upgrade/maintain the software of the control unit:

1. Download the upgrade software file from the product related page at: <https://software-download.keenfinity-group.com/>.
2. From the upgrade page, click in the file box to select your saved software file.
3. If you selected a correct firmware file, the control unit is selected automatically.
4. Click the start button to start the upload process:
 - Progress bars are displayed.
 - The upload status is shown in the 'state' column. If the upgraded file is corrupt or not recognized, an error message is displayed.
 - Software versions (numbers) are shown in the 'version' column. The uploaded software version number is only shown when the upgrade is successfully completed.
5. Exit the upgrade page after completion of the upload process ('done'state).
6. Clear the browser cache (history), so that the new functionality is displayed in the web browser.

Refer to

- *Configure Discussion Device*, page 40
- *Manage discussion*, page 49
- *Manage recorder*, page 50
- *Initialize Discussion Device*, page 41
- *Prepare discussion*, page 50

7.5.7



Power

Preconditions:

- The logged on user must have the access right: **Prepare system**.

Click the **Power** button on the homepage to display the 'power' pop-up window.

- **On:** Activates the Control Unit: After a few seconds, the system is ready for use.
- **Standby:** Sets the Control Unit to 'standby' and switches off the Discussion Devices:
 - All LEDs on the Discussion Devices go out.
 - To indicate that the Control Unit is in 'standby', the green power on LED on the front panel is lit, and the Discussion Devices volume control LED flashes slowly. All other LEDs are off.
 - The 'waiting list' and 'speakers list' are cleared.
 - Recording is stopped, if active.
- **Cancel:** Closes the power pop-up window.

7.5.8



Logging

Preconditions:

- The logged on user must have the access right: **Configure**.

Click the **Logging** button on the homepage to open the logging page.

Logging is used for automatically saving system events, such as date, time and (error) type of the event:

- Use the 'clear view' button to clear the logging view. The logged events will not be deleted and will be displayed when the logging page is reopened. When the logging view is cleared, the logged events can still be exported.
- Use the 'export' button to export and save the current event logging overview file (***.txt format**) on the hard-drive of your tablet / PC.

7.5.9



System info

Preconditions:

- The logged on user must have the access right: **Configure**.

Click the **System info** button on the homepage to open the system info page. The following information is displayed:

- Device type
- Host name
- Ethernet MAC address
- Ethernet IP address
- Ethernet Subnet mask
- Ethernet Default gateway
- Version
- API
- Link to download the Open Source Software license terms

System info is used by a technician.

7.5.10



Logout

Click the **Logout** button on the homepage to log out from the discussion application.

The login page is displayed.

7.6 RESTful Application Program Interface (API)

The CCS 1000 D Digital Discussion System has a RESTful API that has the following functions:

Note: A RESTful API is an Application Program Interface that uses HTTP requests to GET, PUT, POST and DELETE data.

Speakers

This function gives control of the speaker's microphones. A list of all active speakers can be retrieved. Speakers can be added to and removed from the speakers list. Possible applications that could use this function are:

- third party Pan Tilt Zoom (PTZ) camera systems.
- web-casting and recorder solutions requiring microphone information.
- synoptic layouts for microphone management.

Waiting-list

This function gives control of the waiting list. A list of all waiting speakers can be retrieved. Speakers can be added to and removed from the waiting list.

Possible applications that could use this function are:

- third party Pan Tilt Zoom (PTZ) camera systems.
- web-casting and recorder solutions requiring microphone information.
- synoptic layouts to enable and disable microphones.

System

This function gives the possibility to:

- set the system to standby.
- recover the system from standby.

Seats

This function gives the possibility to retrieve and set microphone sensitivity of an individual device. The sensitivity range is from -6dB to +9dB.

For more information on the Application Program Interface, refer to the API manual, which can be downloaded at: <https://software-download.keenfinity-group.com/>.

8 Operation

This section describes how to operate the CCS 1000 D Digital Discussion System.

8.1 Recording and playing back discussion

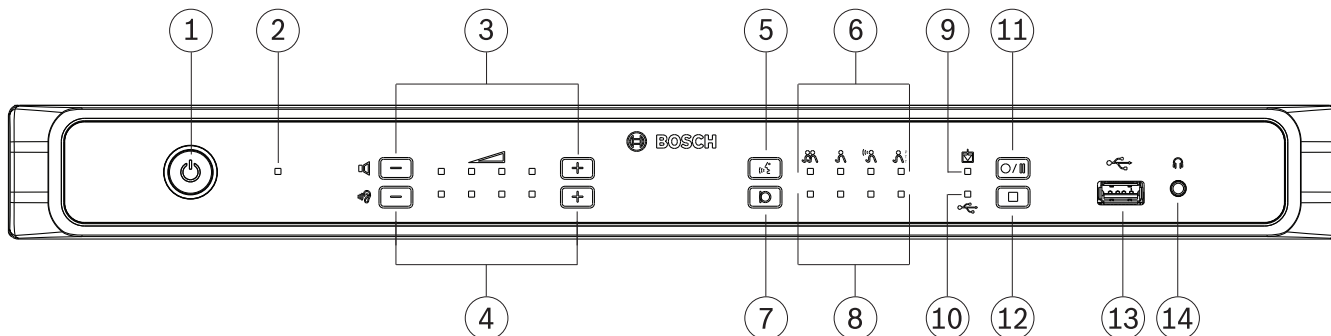


Figure 8.1: CCSD-CURD

The built-in recorder is used to record discussions in the MP3 format. Recordings are saved to the internal memory or an appropriate USB memory stick, when connected. Refer to the information on *USB memory stick* in *Additional components*, page 15.

During recording, the full capacity of the USB memory stick may not be used because:

- Multi-device USB memory sticks are supported, but only one internal memory device on the USB memory stick is used.
- USB devices with multiple partitions are supported, but only the first partition is used.

The memory size of the USB stick and recording settings determine the total recording time. The internal memory can save up to 8 hours of discussion at the lowest bit rate. For an overview of the possible recording times compared to the bit rate, see *Technical data*, page 69.

The appropriate memory (internal/USB) and LED indicator are automatically selected and deselected when the USB memory stick is inserted and removed from the USB connector at the front of the Control Unit.

Recording options

When recording is started, the MP3 recorder automatically creates an MP3 file, using the current date and time as the file name.

Recordings saved on the USB memory stick have the filename: 'USB:yyyymmdd-hhmmss-Floor.mp3'.

- If the recording setting source is set to Floor and output x (x = 3, 4, 5 or 6), a second recording file is stored with the same date-time stamp: 'USB:yyyymmdd-hhmmss-Outputx.mp3'.
- If the recording is made on the internal memory, the file name starts with 'IM' instead of 'USB'.

By default, recorded files have a maximum duration of 60 minutes. After 60 minutes, the file is automatically closed, and a new file is created. This process is repeated as long as recording is active or until the internal memory or USB stick is full.

If you want discussion to be recorded to one continuous file, a 'no-file-split', should be created in the internal flash of the Control Unit. To do this:

1. Connect a laptop or PC to the Control Unit, by using the micro USB connector at the rear of the Control Unit.
2. Under the detected drive for the Control Unit, create a txt file called 'no-file-split'.
3. Remove the file extension ".txt."

To reset recorded files to a maximum duration of 60 minutes, delete the 'no-file-split' file.

Making a recording

**Notice!**

It is recommended to use a USB memory stick for external recording. If required, an external recorder can be connected to RCA 'Audio Out (2)' of the Control Unit.

**Notice!**

Make a back-up of the files on your USB memory stick before inserting it into the control unit.

1. Connect a USB memory stick to the USB connector **(13)** at the front of the Control Unit. The USB recording LED indicator **(10)** will light up green to indicate that the stick has been detected and recording can begin.
2. Press the 'start/pause' recording button **(11)** to start a recording session. The LED indicator will turn red to indicate that recording is active.
 - To pause recording, press the 'start/pause' recording button again. The LED indicator will flash red to indicate that recording is temporarily stopped.
 - To resume recording, press the 'start/pause' recording button again. The LED indicator will turn red to indicate that recording is active.
 - To stop recording press the 'stop recording' button **(12)**. The LED indicator will turn green to indicate that the recording session is complete.

Recording will automatically stop when:

- Internal recording is taking place and a USB memory stick is inserted into the USB connector **(13)** at the front of the Control Unit.
- External recording is taking place and the USB memory stick is removed from the Control Unit. Only remove the USB memory stick when the green recording LED is on.
- The internal memory is full when recording internally.
- The USB memory stick is full when recording on USB memory stick.

Playing back a recording

To playback a recording either:

- Connect a tablet, laptop, or PC to the Control Unit, via the Ethernet connection, and use the web browser interface to select which recording has to be played back. See *Web browser interface*, page 43.
 - Remove the USB memory stick, and transfer the MP3 file(s) to a PC.
 - Download the MP3 file(s) from the internal memory of the Control Unit to a PC, by using the micro USB connector at the rear of the Control Unit.
-

**Notice!**

Recordings cannot take place when the Control Unit is connected to a PC with the micro USB connector.

8.2 Using the microphone button

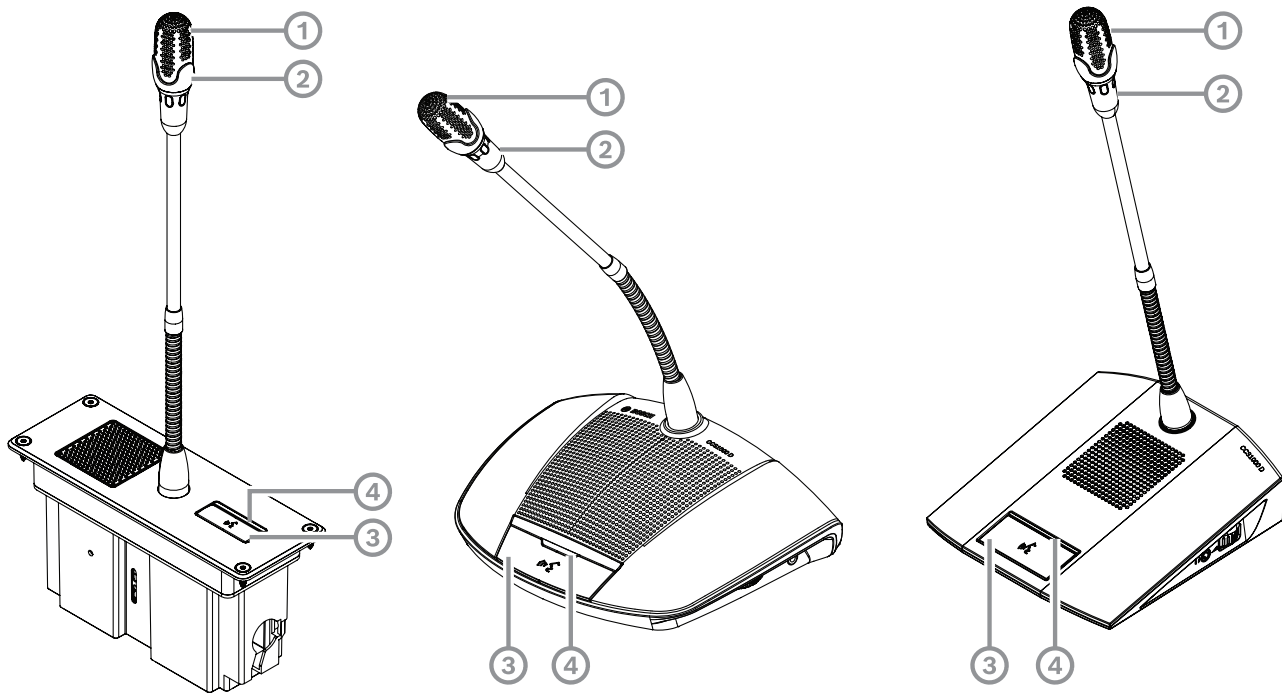


Figure 8.2: Device with participant's button fitted

Use the microphone button (3) on your device to activate and deactivate your microphone (1) as required. The LED indicator (4) above the microphone button and light-ring (2) in the head of the microphone will indicate the status of your device. The following color codes are used:

White (possible-to-speak indication)

This indicator is only above the microphone button and not in the light-ring.

- You can activate your microphone immediately by pressing the microphone button.
- Your request to speak will not be added to the waiting list.

Green

- Your request to speak has been added to the waiting list.
- The waiting list can be viewed and managed in the web browser interface.

Green flashing

- Your request to speak is first in the waiting list.
- As soon as the active speaker disables their microphone button you will be allowed to speak.

Red

- Your microphone is active; you are allowed to speak.

All LEDs off

- The device is off.

8.3 Using the priority button

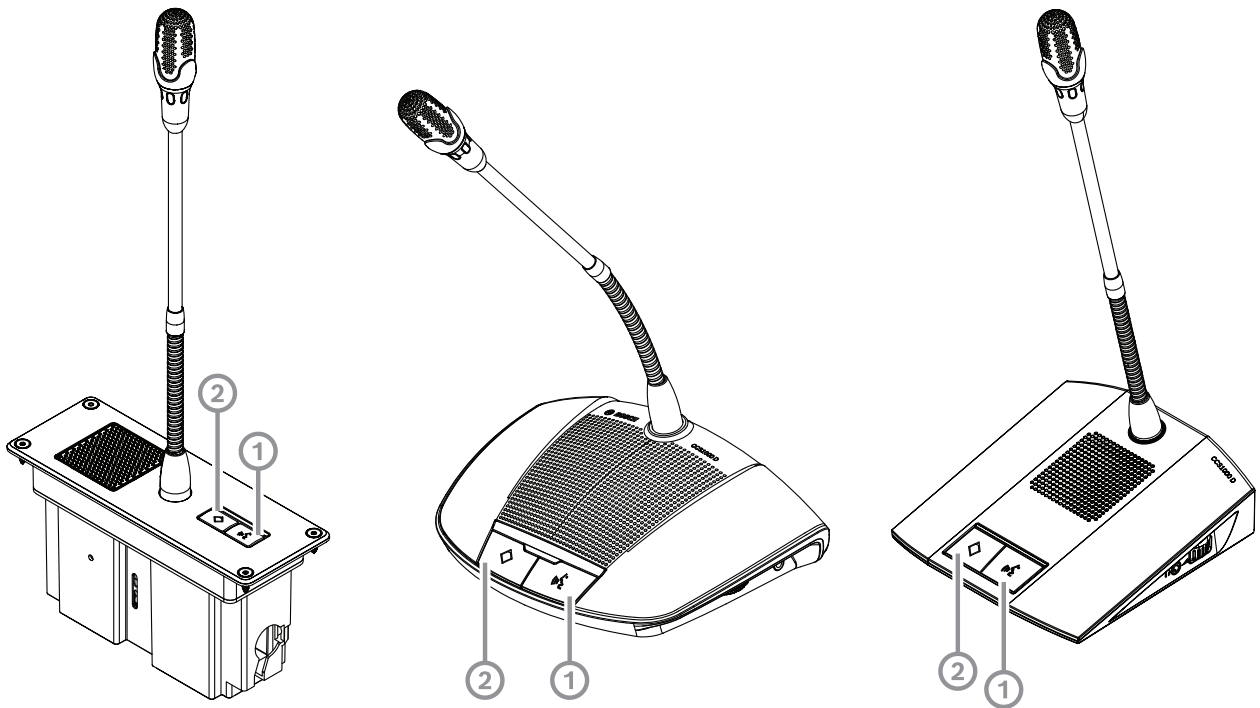


Figure 8.3: Device with chairperson's button

When the device is configured as a chairperson's device, the priority button (1) can be pressed and held in to override all participant microphones. A chime (when selected in the web browser interface, see *Web browser interface*, page 43) is sounded at the same time. The chairperson's microphone button (2) is used to activate and deactivate the microphone as required.

Refer to

- *Web browser interface*, page 43

8.4 Adjusting headphones volume

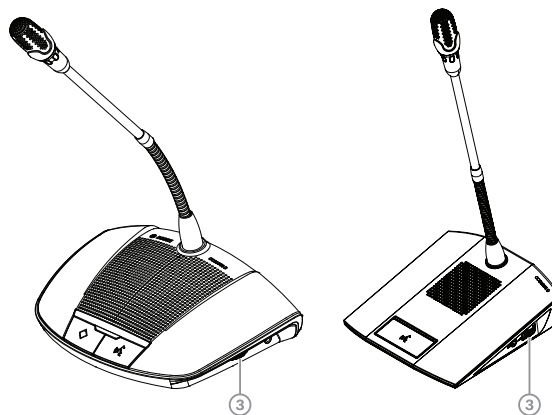


Figure 8.4: Device with chairperson's button fitted

Use the rotary thumbwheel (3) on the side of the device to adjust the volume of the headphones, when connected.

9 Troubleshooting

Use the following Troubleshooting table to troubleshoot the CCS 1000 D Digital Discussion System.

9.1 Troubleshooting table

Problem	Possible cause	Possible solution
No sound from loudspeakers of all Discussion Devices.	Loudspeaker volume too low.	Use the volume control button on the Control Unit or web browser interface to centrally increase the volume of all Discussion Devices.
No sound from loudspeaker of a Discussion Device.	Headphones are connected to the Discussion Device.	Remove the headphones.
Faint or distorted sound from Discussion Device.	One or more trunk lines are overloaded.	Reduce the load on the trunk-lines: <ul style="list-style-type: none"> – Reduce the number of Discussion Device, or – Reduce the length of the extension cable(s).
Brief interruption in the audio during a meeting/discussion.	<ul style="list-style-type: none"> – Recorder settings changed during a meeting/discussion. – Individual microphone outputs changed during a meeting/discussion. 	Do not change settings during a meeting/discussion.
Microphone does not respond.	One or more trunk lines are overloaded.	Reduce the load on the trunk-lines: <ul style="list-style-type: none"> – Reduce the number of Discussion Devices, or – Reduce the length of the extension cable(s).
Acoustic feedback from Discussion Devices.	An acoustical path is created between a loudspeaker and a microphone.	<ul style="list-style-type: none"> – Use the volume control on the Control Unit to centrally decrease the volume of all Discussion Devices. – Decrease the volume of the Control Unit loudspeaker. – Increase the distance between the Discussion Devices and/or the Control Unit. – Increase the distance between the headphone and the microphone of a

Problem	Possible cause	Possible solution
		<p>Discussion Device.</p> <p>Disconnect the headphone when not used.</p> <ul style="list-style-type: none"> - At the audio settings page, make sure: “Digital Acoustic Feedback Suppression” (Natural or Maximum) and “Attenuate headphone when speaking” are selected. “Loudspeaker active when microphone is on” should be deselected. - Do not get too close to the microphone capsule when speaking. - Avoid holding and covering the microphone capsule with your hand.
<p>Incorrect response from LED indicator above microphone button.</p>	<p>Incorrect microphone mode selected.</p>	<p>Check microphone mode and change mode if required.</p>
	<p>Configuration switch at base of Discussion Device incorrectly set.</p>	<p>Set the configuration switch to either participant’s device or chairperson’s device. See <i>Discussion Device</i>, page 39. The configuration mode can be set in the Seats page of the web browser interface.</p>
<p>No sound from loudspeaker of CCSD-CURD.</p>	<p>Loudspeaker volume too low.</p>	<p>Use the volume control button on the Control Unit or web browser interface to increase the volume of the loudspeaker.</p>
	<p>Headphones are connected to the control unit.</p>	<p>Remove the headphones.</p>
<p>Recording to the internal memory not possible.</p>	<p>Internal memory full or USB connected.</p>	<ul style="list-style-type: none"> - Check internal recording LED indicator: Red/green flashing indicates that the internal memory is full. - Connect a USB cable to the micro USB connector at the rear of the Control Unit and transfer files to a PC if necessary. - Remove recordings.

Problem	Possible cause	Possible solution
The display and control of recordings becomes slow.	When there are a lot of recordings stored loading, the Manage recorder page loads slower since information about all these recordings needs to be loaded.	Delete redundant recordings to decrease the loading time of the Manage recorder page.
Recording to USB memory stick not possible.	USB memory stick not fully inserted in Control Unit.	<ul style="list-style-type: none"> – Make sure the USB memory stick is fully inserted. – Check that the USB recording LED indicator is green: Indicates that the USB memory stick is selected and the Control Unit is ready for recording.
	USB memory stick incorrect type or incorrectly formatted.	Make sure the USB memory stick: is of the correct type and is correctly formatted. Refer to USB memory stick in <i>Additional components</i> , page 15.
	USB memory stick too large.	Do not use a USB memory stick larger than 128 GB.
	USB memory stick full.	<ul style="list-style-type: none"> – Check internal recording LED indicator: Red/green flashing indicates that the internal memory is full. – Connect the USB memory stick to a PC, and transfer the files to a hard disk if necessary.
	USB memory stick damaged.	<ul style="list-style-type: none"> – Check the read/write possibilities of the USB stick. – Note: If the Control Unit does not detect the USB memory stick, it will automatically record files to the internal memory instead. – Replace the (faulty) USB memory stick.

Problem	Possible cause	Possible solution
Poor web browser performance.	Multiple users are logged into the same web browser.	Make sure only one user is logged into a web browser. If multiple users need to log in at the same time: <ul style="list-style-type: none"> – use a different browser type for each user, or – log in using a separate device (tablet, laptop or PC).
The tablet, laptop or PC loses the connection with the control unit.	<ul style="list-style-type: none"> – Activating or deactivating the fixed IP address in the web browser interface. – Changing the hostname. 	Close and then reopen the web browser interface.
Part of system not working correctly.	Interrupted system cabling.	<ul style="list-style-type: none"> – Check all trunk connections between the Discussion Devices and the Control Unit. – Check the connections of the auxiliary equipment.
The external SDI video switcher does not switch between inputs.	Switcher has incorrect settings.	Reset the switcher to factory defaults. Then set the TCP connection port number. <ul style="list-style-type: none"> – For the Kramer MV-6 switcher, set the TCP connection port number to 5000. – For the tvOne CORIOmatrix switcher, set the TCP connection port number to 10001.

10 Maintenance

The CCS 1000 D Digital Discussion System requires minimum maintenance. To ensure for trouble-free operation, clean and inspect the system components on a regular basis:

10.1 Cleaning

**Caution!**

Do not use alcohol, ammonia, petroleum solvents or abrasive cleaners to clean the system components.

-
1. Disconnect the Discussion Devices from the system cabling.
 2. Clean the Discussion Devices with a soft cloth slightly moistened with a weak soap and water solution.
 3. Wait until the Discussion Devices are fully dry before reconnecting them to the system cabling.
 4. Clean the Control Unit and optional Extension Unit with a soft cloth, as required.

10.2 Inspect components

1. Check all CCS 1000 D Digital Discussion System components for signs of wear and tear. Replacement Discussion Devices can be ordered from your Bosch representative, if required.
2. Check all connectors and system cabling for damage.
3. Check the Discussion Device microphone buttons for correct operation. The buttons should not be loose or remain pressed in when operated.

10.3 Storage

If you do not intend to use the CCS 1000 D Digital Discussion System for a while:

1. Disconnect the 24 VDC power supply from the mains and from the rear of the Control Unit.
2. Disconnect the Discussion Devices from the system cabling.
3. Store the system components and system cabling in a clean, dry area with sufficient ventilation. For the maximum and minimum storage temperatures, refer to *Technical data*, page 69.

11 Technical data

This section contains the technical specifications of the CCS 1000 D Digital Discussion System.

11.1 Control Unit

Electrical

Supply voltage Adaptor	100 to 240 VAC, 50/60 Hz
Current Consumption voltage Adaptor	1.9 A (100 VAC) to 1 A 240 (VAC)
DC voltage Control Unit	24 V, 6.0 A
Maximum number of Discussion Devices for Control Unit (without Extension Unit)	40 Discussion Devices per trunk 80 Discussion Device in total 24 V, Max 5.2 A (short-circuited protected)
Discussion Device loudspeakers volume control	15 steps of 1.5 dB (starting from -10.5 dB)
Limit threshold level to unit	12 dB above nominal level
Gain reduction due to number of open microphones (NOM)	1/SQRT (NOM)
Sample rate	44.1 kHz
Frequency response	30 Hz to 20 kHz
Ethernet speed	1 Gb/s

Total Harmonic Distortions (THD)

Nominal input (85 dB SPL)	< 0.5%
Max. input (110 dB SPL)	< 0.5%

Audio inputs

XLR nominal microphone input	-56 dBV
XLR maximum microphone input	-26 dBV
RCA nominal input	-24 dBV (+/- 6 dB)
RCA maximum input	+6 dBV
S/N	> 93 dBA
Frequency response	30 Hz to 20 kHz
THD	<0.1%

Audio outputs

RCA nominal output	-24 dBV (+6/- 24 dB)
RCA maximum output	+6 dBV
S/N	> 93 dBA
Frequency response	30 Hz to 20 kHz
THD	<0.1%

Environmental

Operating temperature	5 °C to +45 °C (+41 °F to +113 °F)
Storage and transport temperature	-40 °C to +70 °C (-40 °F to +158 °F)
Relative humidity	5% to 98% non-condensing

11.2**Discussion Device****Electrical**

Power consumption	1.3 W
Frequency response	30 Hz to 20 kHz (System electrical)
THD	<0.5 %
S/N	>93 dBA
Sampling rate	44.1 kHz
Headphones load impedance	> 32 ohms < 1k ohm
Loudspeaker max. peak output power	4 W

Acoustical

Loudspeaker nominal output	72 dB SPL
Participants loudspeaker frequency response	200 Hz to 16 kHz (acoustical)
Microphone polar pattern	Cardioid
Participants microphone frequency response	125 Hz to 15 kHz
Microphone nominal input	85 dB SPL

Mechanical

Dimensions device without microphone (H x W x D)	CCSD-Dx: 64 x 203 x 146 mm (2.5 x 8.0 x 5.7 in) CCSD-Dx2: 50 x150 x 132 mm (2 x 5.9 x 5.2 in)
Height with microphone in horizontal position	CCSD-Dx: 130 mm (5.1 in) CCSD-Dx2: 120 mm (4.7 in)
Length of microphone from mounting surface	CCSD-DS / CCSD-DS2: 310 mm (12.2 in) CCSD-DL: 480 mm (18.9 in) CCSD-DL2: 460 mm (18.1 in)
Weight	Approx. 1 kg (2.2 lb)
Mounting	Tabletop (portable or fixed)
Material (top)	Plastic ABS+PC
Material (base)	Metal ZnAl4
Color (top)	RAL 9017 Traffic black
Color (base)	CCSD-Dx: RAL 9022 Pearl light grey CCSD-Dx2: RAL 9017 Traffic black

Environmental

Operating temperature	0 °C to +35 °C (+32 °F to +95 °F)
Storage and transport temperature	-40 °C to +70 °C (-40 °F to +158 °F)
Relative humidity	5% to 98% non-condensing
Air pressure	600 to 1100 hPa

11.3**Flush devices****Electrical**

Power consumption (W)	1.50 W
Frequency response (Hz)	30 Hz - 20,000 Hz
Total harmonic distortion + noise (%)	< 2%
Minimum signal-to-noise ratio (dBA)	> 75 dBA
Sample rate (kHz)	44.10 kHz
Maximum number of flush discussion devices supported per trunk	35

Acoustic

Nominal acoustic output level (dB SPL) (loudspeaker)	72 dB SPL
--	-----------

Nominal acoustic input level (dB SPL) (microphone)	85 dB SPL
Frequency response (Hz) (participants' loudspeaker)	200 Hz – 16,000 Hz
Frequency response (Hz) (participants' microphone)	125 Hz – 15,000 Hz
Polar pattern (microphone)	Cardioid

Mechanical

Dimensions (H x W x D) (mm) (excluding microphone)	63 mm x 173 mm x 92 mm
Dimensions (H x W x D) (in) (excluding microphone)	2.48 in x 6.81 in x 3.62 in
Thickness (mm)	3 mm
Thickness (in)	0.12 in
Maximum table thickness (mm)	40 mm
Maximum table thickness (in)	1.57 in
Microphone stem length (mm) (long)	480 mm
Microphone stem length (in) (long)	18.90 in
Microphone stem length (mm) (short)	310 mm
Microphone stem length (in) (short)	12.20 in
Mounting type	Flush-mounted
Material	Plastic ABS+PC
Color (RAL)	RAL 9017 Traffic black
Connector type	6-pin Connector male
Cable length (m)	2 m
Cable length (ft)	6.56 ft
Weight (g) (with long microphone)	560 g
Weight (lb) (with long microphone)	1.23 lb
Weight (g) (with short microphone)	540 g
Weight (lb) (with short microphone)	1.19 lb

Environmental

Operating temperature (°C)	0 °C – 35 °C
Operating temperature (°F)	32 °F – 95 °F
Storage temperature (°C)	-40 °C – 70 °C

Storage temperature (°F)	-40 °F – 158 °F
Operating relative humidity, non-condensing (%)	95%
Air pressure (hPa)	600 hPa – 1,100 hPa

11.4

Extension Unit

Electrical

Supply voltage Adaptor	100 to 240 VAC, 50/60 Hz
Current Consumption voltage Adaptor	1.9 A (100 VAC) to 1 A 240 (VAC)
DC voltage Control Unit	24 V, 6.0 A
Maximum number of Discussion Devices per Extension Unit	40 Discussion Devices per trunk/tap-off 85 Discussion Devices in total 24 V, Max 5.2 A (short-circuited protected)

Mechanical

Dimensions including feet (H x W x D)	45 x 440 x 200 mm (1.8 x 17.3 x 7.9 in) 19" wide, 1 RU high
Height of feet	5.5 mm (0.2 in)
Mounting	Tabletop or 19" rack
Weight	Approx. 4.12 kg (9.1 lb)
Material (top and base)	Painted metal
Color (top and base)	Traffic black (RAL 9017) matt-gloss
Rim front panel	Pearl light grey (RAL 9022) matt-gloss

Environmental

Operating temperature	5 °C to +45 °C (+41 °F to +113 °F)
Storage and transport temperature	-40 °C to +70 °C (-40 °F to +158 °F)
Relative humidity	5% to 98% non-condensing

12

Customer service and training

If a fault cannot be resolved, please contact your supplier or system integrator, or go directly to your representative.



Support

Access our **support services** at <https://www.keenfinity-group.com/xc/en/>.

For security advisories, visit our [product security](#) webpage.



Training

For access to **training courses, video tutorials** and **documents**, visit the following website: <https://academy.bosch.keenfinity-group.com/sui/landingPage>.

Electro Voice Dynacord B.V.

Achtseweg Zuid 173

5651 GW Eindhoven

Netherlands

www.keenfinity-group.com

© Electro Voice Dynacord 2026