

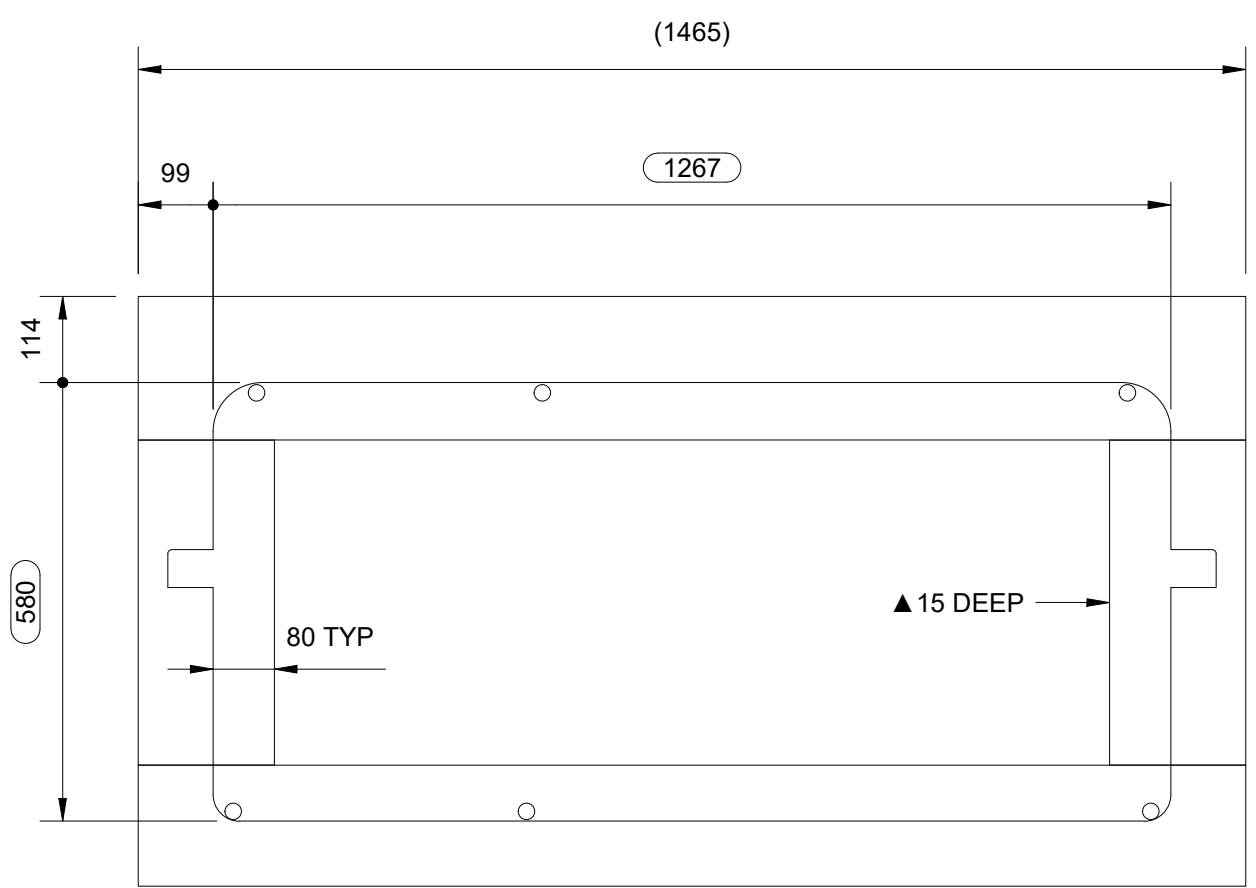
1 2 3 4 5 6

A A

B B

C C

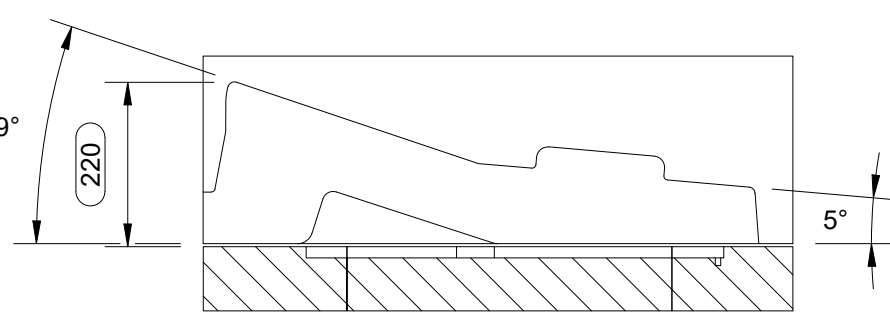
D D



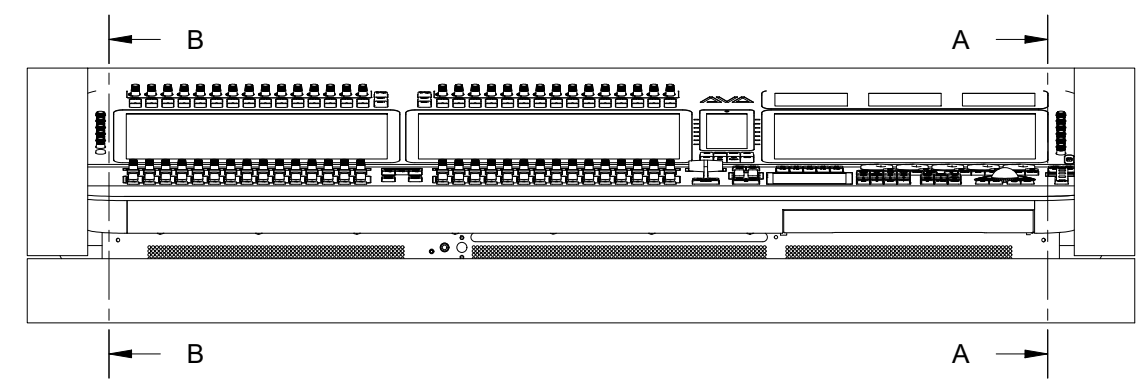
TOP VIEW : D9-330 CONSOLE : BASE FOAM ONLY
(SCALE 1 : 10)



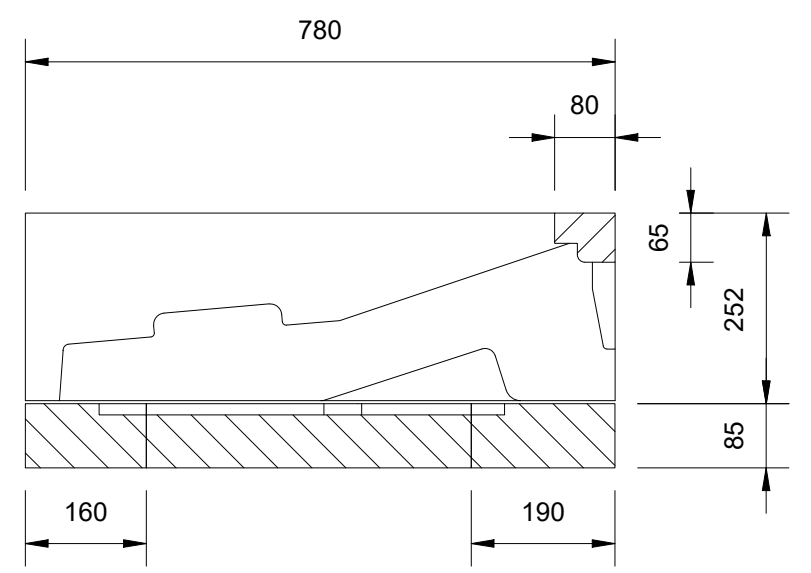
ISO VIEW : D9-330 CONSOLE FOAM
(SCALE 1 : 15)



SECTION A-A : D9-330 CONSOLE FOAM
(SCALE 1 : 10)



FRONT VIEW : D9-330 CONSOLE FOAM
(SCALE 1 : 10)



SECTION B-B : D9-330 CONSOLE FOAM
(SCALE 1 : 10)

External Dimensions (At Largest Points)
For Shipping and Handling

PACKAGING	DIMENSIONS (W x D x H)	WEIGHT
Console only (Screen down)	1380 x 705 x 255mm (54.3" x 27.8" x 10.0")	68 kg (150 lbs)
Console only (Screen up)	1380 x 640 x 455 mm (54.3" x 25.2" x 17.9")	68 kg (150 lbs)
Flight case	1490 x 950 x 380mm (58.7" x 37.4" x 15.0")	118 kg (260.1 lbs)

GENERAL NOTES:

1. THIS DOCUMENT PROVIDES GENERAL INFORMATION ONLY AND MAY BE SUBJECT TO CHANGE AT ANY TIME WITHOUT PRIOR NOTICE.
2. FLIGHT CASES FOR THIS PRODUCT ARE AVAILABLE FROM AVOLITES; PLEASE INQUIRE FOR DETAILS.
3. STEP AND DXF FILES CAN BE PROVIDED ON REQUEST.

AVOLITES	PN 30-01-3065
Product D9-330 CONSOLE	Document Type TRANSPORT GA
Avolites Ltd 184 Park Avenue London NW10 7XL England www.avolites.com Copyright Avolites Ltd.	Dwg 30-01-3065 Date 05/11/2025 Rev A

1 2 3 4 5 6