

Engineered Sound Wireless Systems

Application Note

Setting up the transmitter external and remote mute control functions

1. Introduction

1.1. Purpose of This Document

This document describes the transmitter external and the remote mute control functions of the ES Wireless System.

The external and remote mute functions are only available on devices with firmware versions that are listed below.

ESW-R4180DAN: 001.001.000 or later

ESW-T410X: 001.001.000 or later

ESW-CHGX: 001.001.000 or later

*X: Any version

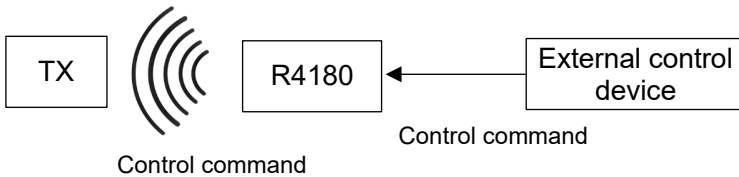
1.2. Definitions of Terms

The definitions of terms are in accordance with the ESW IP Control Specifications.

2. Transmitter External Mute Control Function

2.1. What is the Transmitter External Mute Control Function?

External IP commands can be used to control the mute function of transmitters.



2.2. Control Method

2.2.1. Transmitter External Mute Control

By using the external mute control, an external device can control the transmitter's mute function.

a) Controlling by specifying the connected transmitter

[ESW IP Control Specifications - 4.16.42 TX External Mute Setting]

b) Collectively controlling all connected transmitter

[ESW IP Control Specifications - 4.16.45 TX External Mute Collective Setting]

2.2.2. Transmitter External Mute LED Control

By using the external mute control, an external device can control the transmitter's LED.

a) Controlling by specifying the connected transmitter

[ESW IP Control Specifications - 4.16.50 TX External Mute LED Setting]

b) Collectively controlling all connected transmitter

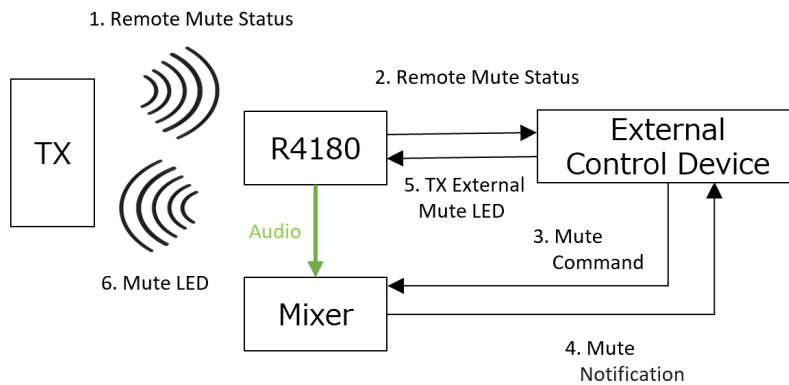
[ESW IP Control Specifications - 4.16.53 TX External Mute LED Collective Setting]

3. Remote Mute Control Function

3.1. What is Remote Mute Control Function?

The remote mute function allows a downstream device to control the transmitter mute and LED indicator. When the switch is activated on the transmitter, a command is sent to a downstream device to mute the channel. The downstream device can return a command to illuminate the LED.

Following is an example application.



3.2. Setup Procedure

Procedure

1. Place the transmitters in the charger.
2. Change to the remote mode using the following command to the CHG.
[ESW IP Control Specifications - 4.16.25 TX Mute Control Mode Setting]
3. Use an external control device to acquire the TX remote mute status or receive notifications from receiver.
[ESW IP Control Specifications - 4.16.28 TX Remote Mute Acquisition / 4.16.29 TX Remote Mute Notification]

株式会社オーディオテクニカ

〒194-8666 東京都町田市西成瀬2-46-1
www.audio-technica.co.jp

Audio-Technica Corporation

2-46-1 Nishi-naruse, Machida, Tokyo 194-8666, Japan
www.audio-technica.com
©2023 Audio-Technica Corporation
Global Support Contact: www.at-globalsupport.com

ver.1 2023.08.01
ver.2 2023.12.01