



FOG FURY JETT PRO



User Manual

©2022 ADJ Products, LLC all rights reserved. Information, specifications, diagrams, images, and instructions herein are subject to change without notice. ADJ Products, LLC logo and identifying product names and numbers herein are trademarks of ADJ Products, LLC. Copyright protection claimed includes all forms and matters of copyrightable materials and information now allowed by statutory or judicial law or hereinafter granted. Product names used in this document may be trademarks or registered trademarks of their respective companies and are hereby acknowledged. All non-ADJ Products, LLC brands and product names are trademarks or registered trademarks of their respective companies.

ADJ Products, LLC and all affiliated companies hereby disclaim any and all liabilities for property, equipment, building, and electrical damages, injuries to any persons, and direct or indirect economic loss associated with the use or reliance of any information contained within this document, and/or as a result of the improper, unsafe, insufficient and negligent assembly, installation, rigging, and operation of this product.

! CAUTION

**HIGH
INTENSITY
ULTRAVIOLET
LIGHT**



AVOID DIRECT EYE & SKIN EXPOSURE.
WEAR PROPER EYE & SKIN PROTECTION.
SEE MANUAL FOR SAFETY INSTRUCTIONS.

RISK GROUP 3 - RISK OF EXPOSURE TO ULTRAVIOLET (UV) RADIATION! FIXTURE EMITS HIGH INTENSITY WAVELENGTH OF ULTRAVIOLET LIGHT WEAR PROPER EYE AND SKIN PROTECTION. AVOID PROLONGED PERIODS OF EXPOSURE. AVOID WEARING WHITE COLOR CLOTHING AND/OR USING (UV) PAINTS ON SKIN. AVOID DIRECT EYE AND/OR SKIN EXPOSURE AT DISTANCES SHORTER THAN 11 feet (3.3m). DO NOT OPERATE FIXTURE WITH DAMAGED/MISSING EXTERNAL COVER PROTECTIVE LENS. DO NOT LOOK DIRECTLY INTO THE (UV) LIGHT AND/OR VIEW (UV) LIGHT DIRECTLY WITH OPTICAL INSTRUMENTS THAT MAY CONCENTRATE THE LIGHT/RADIATION OUTPUT. INDIVIDUALS SUFFERING FROM A RANGE OF EYE CONDITIONS, SUNLIGHT EXPOSURE DISORDERS, OR INDIVIDUALS USING PHOTSENSITIVE MEDICATION, MAY EXPERIENCE DISCOMFORT IF EXPOSED TO THE ULTRAVIOLET (UV) LIGHT EMITTED FROM THIS FIXTURE.

This appliance is not intended for use by persons (including children) with reduced physical, sensory, or mental capabilities, or lack of experience and knowledge, unless they have been given supervision or instruction concerning the use of the appliance by a person responsible for their safety. Children should be supervised to ensure that they do not play with the appliance.

Europe Energy Saving Notice

Energy Saving Matters (EuP 2009/125/EC)

Saving electric energy is a key to help protecting the environment. Please turn off all electrical products when they are not in use. To avoid power consumption in idle mode, disconnect all electrical equipment from power when not in use. Thank you!

INTRODUCTION

Congratulations, you have just purchased one of the most reliable fog machines on the market today! The Fog Fury Jett Pro commercial fog machine has been designed to perform reliably for years when the guidelines in this booklet are followed. Please read and understand the instructions in this manual carefully and thoroughly before attempting to operate this unit. These instructions contain important information regarding safety during use and maintenance.

Customer Support: ADJ Products, LLC provides a customer support line, to provide help and to answer any questions that might arise during set up or initial operation. You may also visit us on the web at www.adj.com with any comments or suggestions. Service Hours and Monday through Friday 8:00am to 4:30pm PST.

Voice:	(800) 322-6337
Fax:	(323) 582-2941
E-mail:	support@adj.com

Parts: To purchase parts online, please visit <http://parts.adj.com>.

Warning! To prevent or reduce the risk of electrical shock or fire, do not expose this unit to rain or moisture.

Caution! There are no user serviceable parts inside this unit. Do not attempt any repairs yourself, as doing so will void your manufacturer's warranty. In the unlikely event that your unit requires service, please contact ADJ Products, LLC.

Do not discard the shipping carton in the trash. Please recycle when ever possible.

SAFETY ISSUES:

NEVER POINT OR AIM A FOG MACHINE TOWARDS PEOPLE OR THEIR CLOTHING. THIS UNIT EMITS HOT VAPOR AND SHOULD BE USED WITH THE SAME CARE THAT WOULD BE OBSERVED WHEN USING AN ELECTRIC KETTLE OR IRON.

Please Note: Specifications and improvements in the design of this unit and this manual are subject to change without any prior written notice.

SAFETY PRECAUTIONS

- Be sure to save the packing carton in the unlikely event that the unit needs to be shipped back for service.
- Do not spill water or other liquids into or on to your device.
- Be sure that all the fog fluid is kept inside the fluid reservoir.
- Be sure that the power outlet matches the required voltage for your device.
- Do not remove the top cover for any reason. There are no user serviceable parts inside.
- Disconnect the unit's main power when left unused for extended periods of time.
- Never connect this unit to a dimmer pack.
- Do not attempt to operate this unit if it has been damaged in any way.
- Never operate this unit with the cover removed.
- To reduce the risk of electrical shock or fire, do not expose this unit to rain or moisture.
- Do not attempt to operate this unit if the power cord is frayed or broken.
- Do not attempt to remove or break off the ground prong from the electrical cord. This prong is used to reduce the risk of electrical shock and fire in the event of an internal short.
- Disconnect from main power before making any type of connection.
- Never block the ventilation holes, and always mount this unit in an area that will allow proper ventilation. Allow about 6" (15cm) between this device and a wall.
- This unit is intended for indoor use only. Use of this product outdoors voids all warranties.
- Always mount this unit in a safe and stable matter.
- Please route your power cord out of the way of foot traffic. Power cords should be routed so that they are not likely to be walked on, or pinched by items placed upon or against them.
- The unit should be serviced, and only by qualified service personnel, in the following instances:
 - A. The power-supply cord or the plug has been damaged.
 - B. Objects have fallen onto, or liquid has been spilled into, the unit.
 - C. The unit has been exposed to rain or water.
 - D. The appliance does not appear to operate normally or exhibits a marked change in performance.

DMX INFORMATION

Power Supply: Before plugging your unit in, check that the voltage of the power outlet matches the required voltage for your device, which is available in a 120-V and 230-V versions. Because line voltage may vary from venue to venue, you should be sure your unit voltage matches the wall outlet voltage before attempting to operate you fixture.

DMX-512: DMX is short for Digital Multiplex. This is a universal protocol that is used as a form of communication between intelligent fixtures and controllers. A DMX controller sends DMX data instructions from the controller to the fixture. DMX data is sent as serial data that travels from fixture to fixture via the DATA “IN” and DATA “OUT” XLR terminals located on all DMX fixtures (most controllers only have a DATA “OUT” terminal).

DMX Linking: DMX is a language allowing all makes and models of different manufacturers to be linked together and operate from a single controller, as long as all fixtures and the controller are DMX compliant. To ensure proper DMX data transmission, try to use the shortest cable path possible when linking several DMX fixtures. The order in which fixtures are connected in a DMX line does not influence the DMX addressing. For example, a fixture assigned a DMX address of 1 may be placed anywhere in a DMX line: at the beginning, at the end, or anywhere in the middle. When a fixture is assigned a DMX address of 1, the DMX controller knows to send DATA assigned to address 1 to that unit, no matter where it is located in the DMX chain.

Data Cable (DMX Cable) Requirements (For DMX Operation): This device can be controlled via DMX-512 protocol. It features 5 selectable DMX channel modes, which are listed in the **DMX Traits** section of this manual. The DMX address is set on the back panel. Your unit and your DMX controller require a standard 3-pin XLR connector for data input and data output (Figure 1). We recommend Accu-Cable DMX cables. If you are making your own cables, be sure to use standard 110-120 Ohm shielded cable (This cable may be purchased at almost all pro lighting stores). Your cables should be made with a male XLR connector on one end and a female XLR connector on the other. Also remember that DMX cable must be daisy chained and cannot be split.



Figure 1

DMX SETUP

Notice: Be sure to follow figures two and three when making your own cables. Do not use the ground lug on the XLR connector. Do not connect the cable's shield conductor to the ground lug or allow the shield conductor to come into contact with the XLR cable's outer casing. Grounding the shield could cause a short circuit and result in erratic behavior.

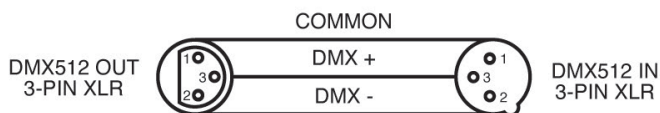


Figure 2



Figure 3

XLR Pin Configuration
Pin 1 = Ground
Pin 2 = Data Compliment (negative)
Pin 3 = Data True (positive)

Special Note: Line Termination. When longer runs of cable are used, you may need to use a terminator on the last unit to avoid erratic behavior. A terminator is a 110-120 ohm 1/4 watt resistor which is connected between pins 2 and 3 of a male XLR connector (DATA + and DATA -). This unit is inserted in the female XLR connector of the last unit in your daisy chain to terminate the line. Using a cable terminator (ADJ part number **Z-DMX/T**) will decrease the chances of erratic behavior.



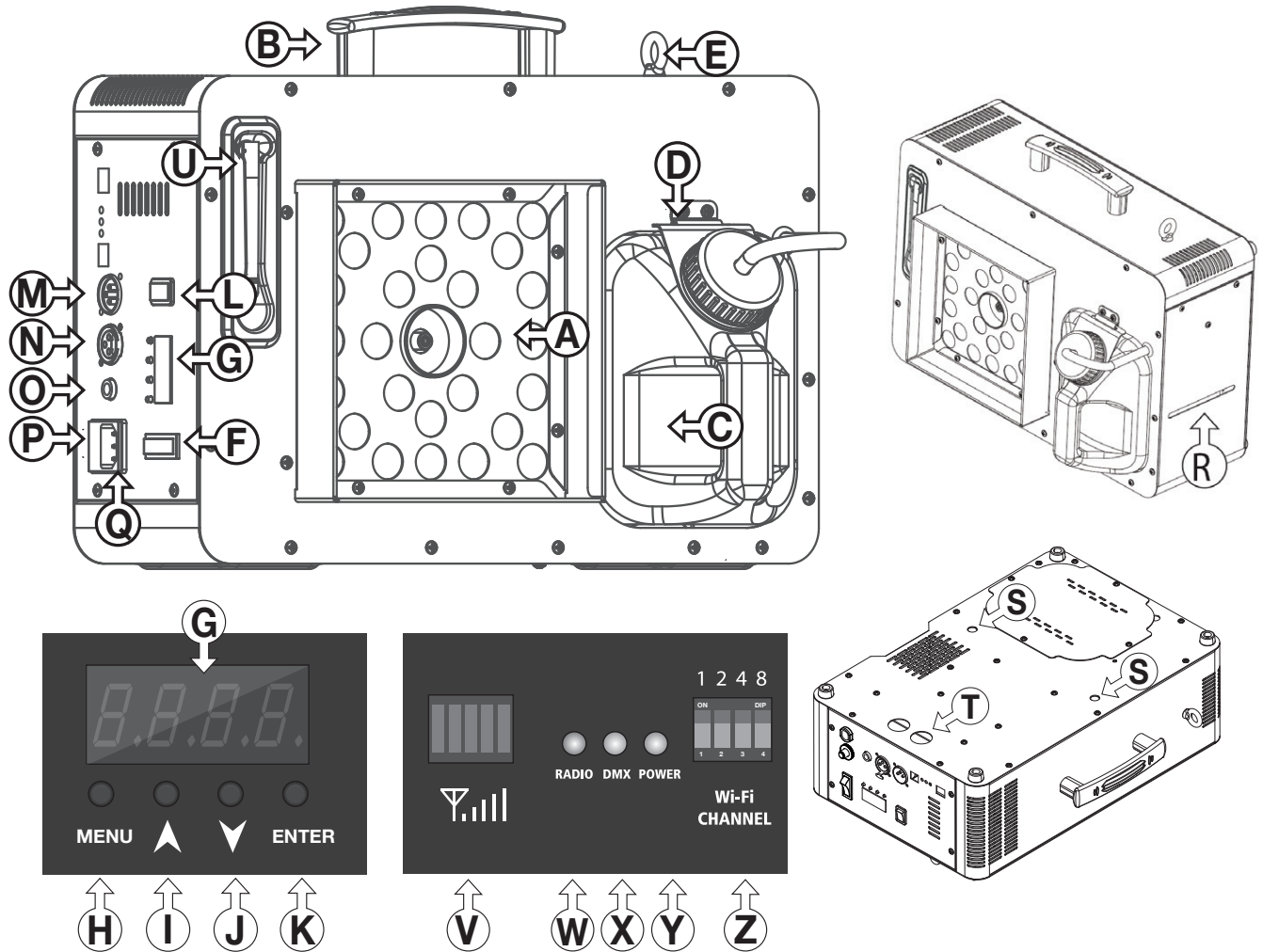
Termination reduces signal errors and avoids signal transmission problems and interference. It is always advisable to connect a DMX terminal, (Resistance 120 Ohm 1/4 W) between PIN 2 (DMX-) and PIN 3 (DMX +) of the last fixture.

Figure 4

5-Pin XLR DMX Connectors. Some manufacturers use 5-pin DMX-512 data cables for DATA transmission in place of 3-pin. 5-pin DMX fixtures may be implemented in a 3-pin DMX line, by using a cable adapter. These adaptors are readily available at most electronics stores. The chart below details a proper cable conversion.

3-Pin XLR to 5-Pin XLR Conversion		
Conductor	3-Pin XLR Female (Out)	5-Pin XLR Male (In)
Ground/Shield	Pin 1	Pin 1
Data Compliment (- signal)	Pin 2	Pin 2
Data True (+ signal)	Pin 3	Pin 3
Not Used		Do Not Use
Not Used		Do Not Use

OVERVIEW



- | | |
|------------------------|--------------------------------------|
| A. 28 LEDs | N. DMX 3 pin XLR Output |
| B. Handle | O. Control Socket Connection |
| C. Fog Fluid Tank | P. Electric Power Cord |
| D. Tank Fixed Ring | Q. Breaker |
| E. Safety Loop | R. Visible Fog Fluid Level Indicator |
| F. Power Switch | S. M10*P1.5 C Clamp Installation |
| G. LED display | T. Safety Loop hole |
| H. Menu | U. Antenna |
| I. Up | V. Signal Strength Meter |
| J. Down | W. Indicator LED –Radio (Green LED) |
| K. Enter | X. Indicator LED – DMX (Yellow LED) |
| L. Manual Fog | Y. Indicator LED – Power (Red LED) |
| M. DMX 3 pin XLR Input | Z. Wifi Channel Dip Switch |

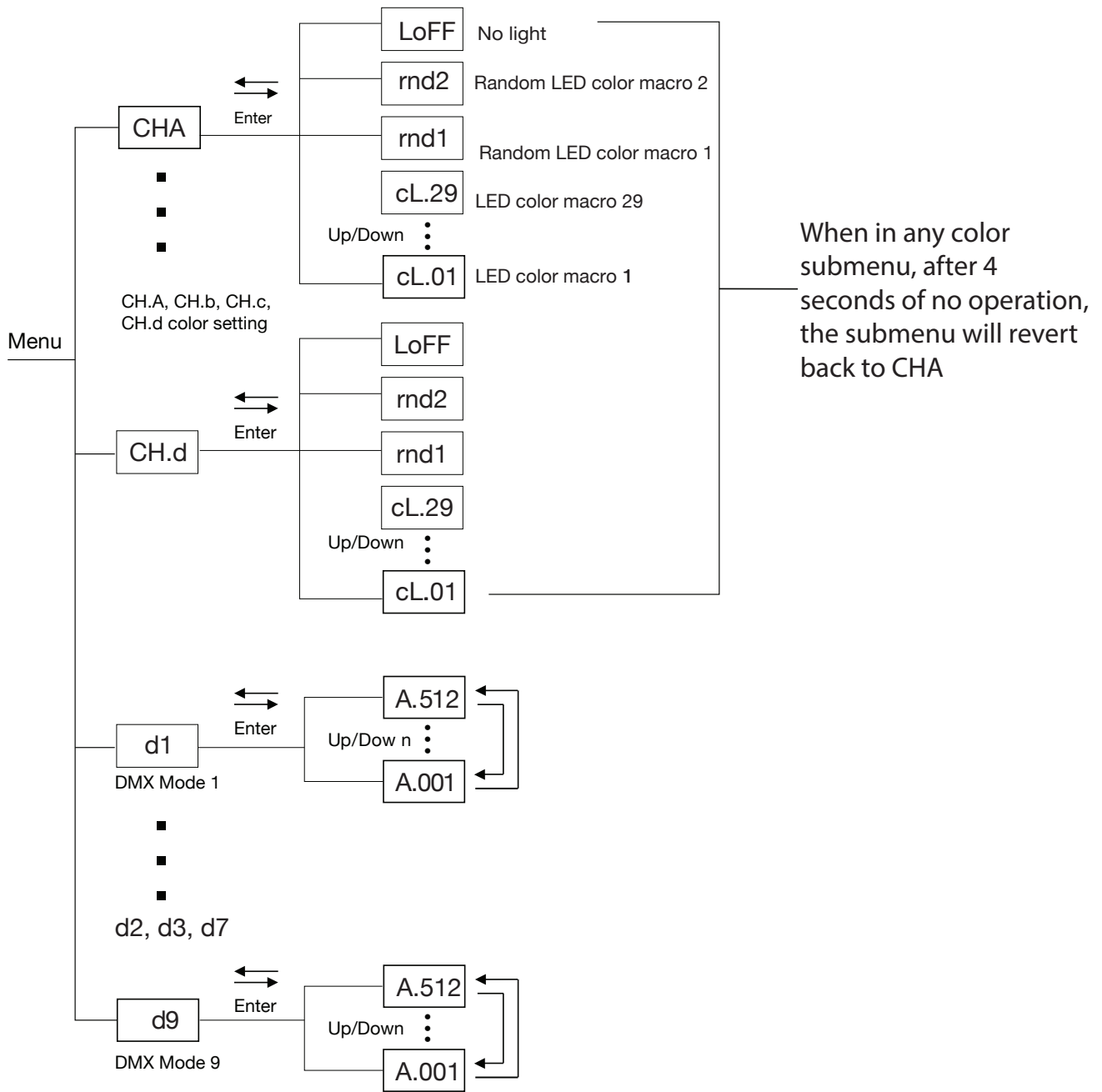
SETUP

1. Open the shipping carton and carefully remove the unit from the shipping carton.
2. Be sure to remove all the packing material, paying special attention to the area around the nozzle.
3. Set the fog machine on a flat dry surface and fill the fog fluid reservoir with ADJ brand fog juice. Place the feeder tube with the filler deep inside the reservoir and tighten the cap.
4. Firmly attach the remote control receiver to the rear remote control socket on the unit.
5. Plug the unit in to a matching power supply. At this time, the red LED located on the remote receiver will glow red, indicating that the unit is heating up. The device requires approximately nine minutes to reach normal operating temperature. When it has reached operating temperature, the green LED on the remote receiver will glow.
6. Emit fog using either the button on the remote, or the manual button on the rear of the unit.
7. Follow the operating instructions on the next few pages for proper operation.

NOTE: If the LED under the reservoir begins to flash, this indicates that fog juice fluid is low.

Always maintain an adequate supply of ADJ Brand Fog Juice in the fluid reservoir. Running the fog machine dry will cause pump failure and/or clogging. This is the largest cause of failure in fog and haze machines. Only ADJ Fog Juice is recommended for use, and not all fog juice is created equal.

SYSTEM MENU



SYSTEM MENU

dX - DMX Address Setting.

1. Press the MENU button until “dX” is displayed. “X” represents the currently selected DMX channel mode. There are 5 selectable DMX channel modes. See the **DMX Traits** section of this manual for detailed information.
2. When you find your desired DMX channel mode, press the ENTER button. “A.XXX” will be displayed, where “XXX” represents the current DMX address. Use the UP or DOWN buttons to adjust the DMX address as desired.

CH.X - Wireless remote channel setting.

1. Press the MENU button until “CH.X” is displayed. “X” represents the currently set remote channel (A-D). “A-D” corresponds to the buttons on the wireless remote. Example: If the fixture is set to “CH.B”, then the corresponding button on the remote will emit fog when the button is pressed.
Note: You can set more than one machine to the same wireless remote setting.
2. Press the ENTER button to access the color macro submenu. Use the UP or DOWN buttons to scroll through and select 1 of 29 color macros or random macros. When you press the corresponding button on the wireless remote to the setting (A-d) you have selected on the unit, the color you have selected will be the color that is displayed along with the fog that is emitted. *Note: When in any color submenu, after 4 seconds of no operation, fixture will revert back to “CH.A”.*

DMX MODE

Operating through a DMX controller gives the user the freedom to create custom programs tailored to their own individual needs. This unit has 5 DMX channel modes: 1, 2, 3, 7, & 9 channel modes. Please refer to the **DMX Traits** section of this manual for detailed information. This function will allow you to control the fixture's individual traits with a standard DMX 512 controller.

1. Press the either the MENU button until "dX" is displayed. "X" represents the currently selected DMX channel mode.
2. When you find your desired DMX channel mode, press the ENTER button. "A.XXX" will be displayed, where "XXX" represents the currently set DMX address. Use the UP or DOWN buttons to find your desired DMX address.
3. After you have set your DMX address, plug in the fixture to any standard DMX controller via the XLR connections.

WIRELESS REMOTE OPERATION

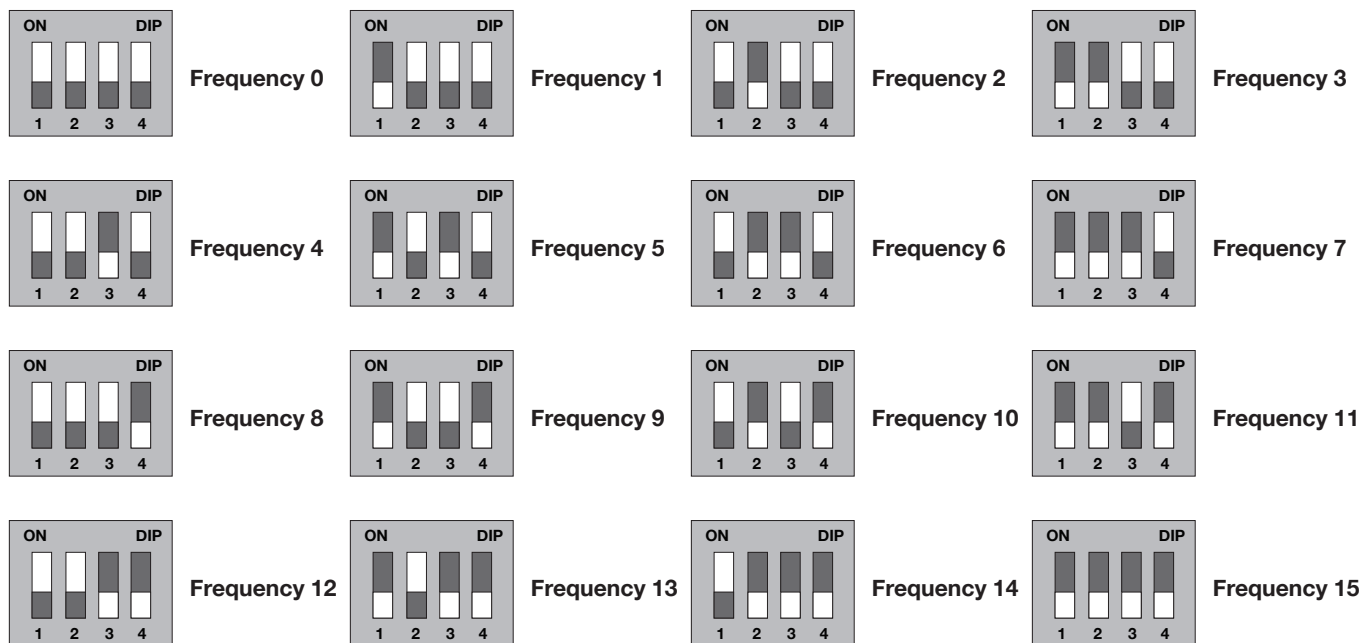
This features allows the user to control the unit with DMX without relying on XLR cables. Your DMX controller must be connected to an ADJ WiFly Transceiver to use this function. Maximum range is up to 400 feet (open line of sight).

1. Set the antenna to either an up position or a down position.
2. Set the Wireless address using the dip switches on the rear of the the unit. The address must match the address set on the WiFly Transceiver.
3. Apply power to the ADJ WiFly Transceiver. *Please note that the fixture must be set up first before power is applied to the WiFly Transceiver.*
4. If everything is set up properly and the fixture is receiving a wireless signal, the wireless status indicator LED will glow green.
5. The Signal strength meter will display how strong of a signal the unit is receiving.

Note: If the sync does not work, switch the power off then on again.

Caution: Before removing or replacing the remote control unit, disconnect the power supply.

WIFLY CHANNEL SETTING DIAGRAM



DMX TRAITS

CHANNEL					DMX VALUES	FUNCTION	
1CH	2CH	3CH	7CH	9CH			
1						<i>Fog and Random Color Change</i>	
					000 - 031	Off	
					032 - 255	Max Fog and Random Color Change	
	1	1	1	1		<i>Fog</i>	
					000 - 031	Off	
					032 - 255	Max Fog	
	2	2			000 - 255	<i>Color Macros</i> , see <i>Color Macros Chart</i> section of this manual	
			2	2	000 - 255	<i>Red</i> , 0% to 100%	
			3	3	000 - 255	<i>Green 1 (Outer LEDs)</i> , 0% to 100%	
			4	4	000 - 255	<i>Blue</i> , 0% to 100%	
			5	5	000 - 255	<i>Amber</i> , 0% to 100%	
			6	6	000 - 255	<i>Green 2 (Inner LEDs)</i> , 0% to 100%	
			7	7	000 - 255	<i>UV</i> , 0% to 100%	
		3		8		<i>Strobing</i>	
						000 - 031	Off
						032 - 095	Strobing, slow to fast
						096 - 159	Pulse Effect
						160 - 255	Random Strobe, slow to fast
				9	000 - 255	<i>Master Dimmer</i> , 0% to 100%	

COLOR MACROS CHART

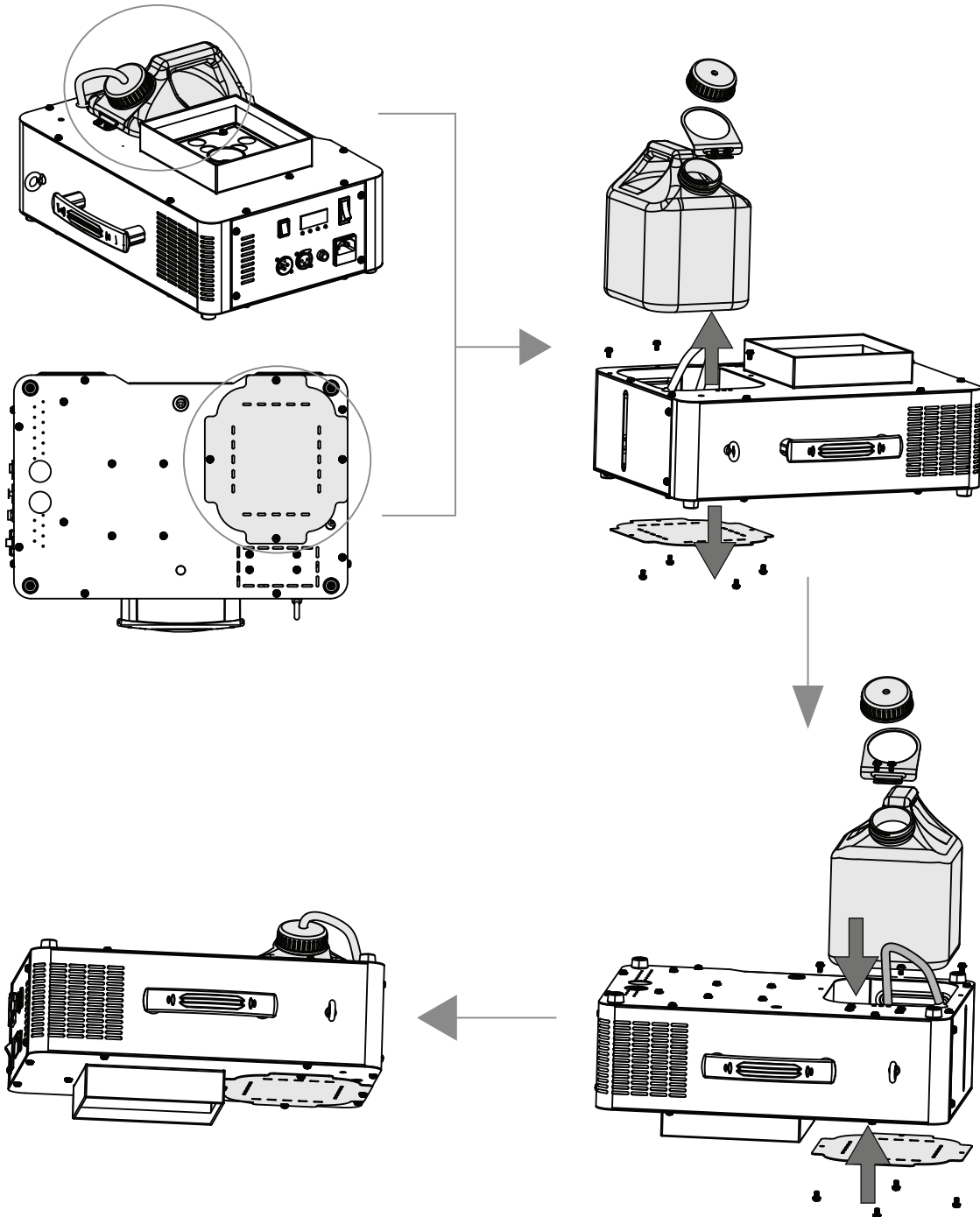
COLOR NO.	DMX VALUES	RGBA COLOR INTENSITY					
		RED	GREEN1	BLUE	AMBER	GREEN2	UV
OFF	000 - 007	0	0	0	0	0	0
CL.01	008 - 015	255	0	0	0	0	0
CL.02	016 - 023	0	255	0	0	255	0
CL.03	024 - 031	0	0	255	0	0	255
CL.04	032 - 039	0	0	0	255	0	0
CL.05	040 - 047	0	0	0	0	0	255
CL.06	048 - 055	255	0	255	0	0	255
CL.07	056 - 063	0	255	0	255	0	0
CL.08	064 - 071	255	0	0	0	0	255
CL.09	072 - 079	0	0	255	255	0	0
CL.10	080 - 087	0	0	255	0	255	0
CL.11	088 - 095	255	0	0	0	255	0
CL.12	096 - 103	255	0	255	0	255	0
CL.13	104 - 111	82	0	120	50	170	0
CL.14	112 - 119	0	180	0	220	65	90
CL.15	120 - 127	63	75	0	44	145	190
CL.16	128 - 135	185	40	233	0	100	70
CL.17	136 - 143	95	60	30	255	25	200
CL.18	144 - 151	0	245	0	60	0	150
CL.19	152 - 159	0	200	200	0	0	200
CL.20	160 - 167	45	0	180	0	125	60
CL.21	168 - 175	200	0	235	0	177	0
CL.22	176 - 183	80	178	44	255	55	55
CL.23	184 - 191	130	222	28	111	50	170
CL.24	192 - 199	0	142	0	200	88	100
CL.25	200 - 207	255	0	0	180	100	0
CL.26	208 - 215	100	0	150	0	80	255
CL.27	216 - 223	0	170	210	255	0	0
CL.28	224 - 231	80	0	80	110	125	222
CL.29	232 - 239	255	255	255	255	255	255
RND1	240 - 247	Random 1					
RND2	248 - 255	Random 2					

TRUSS MOUNTING

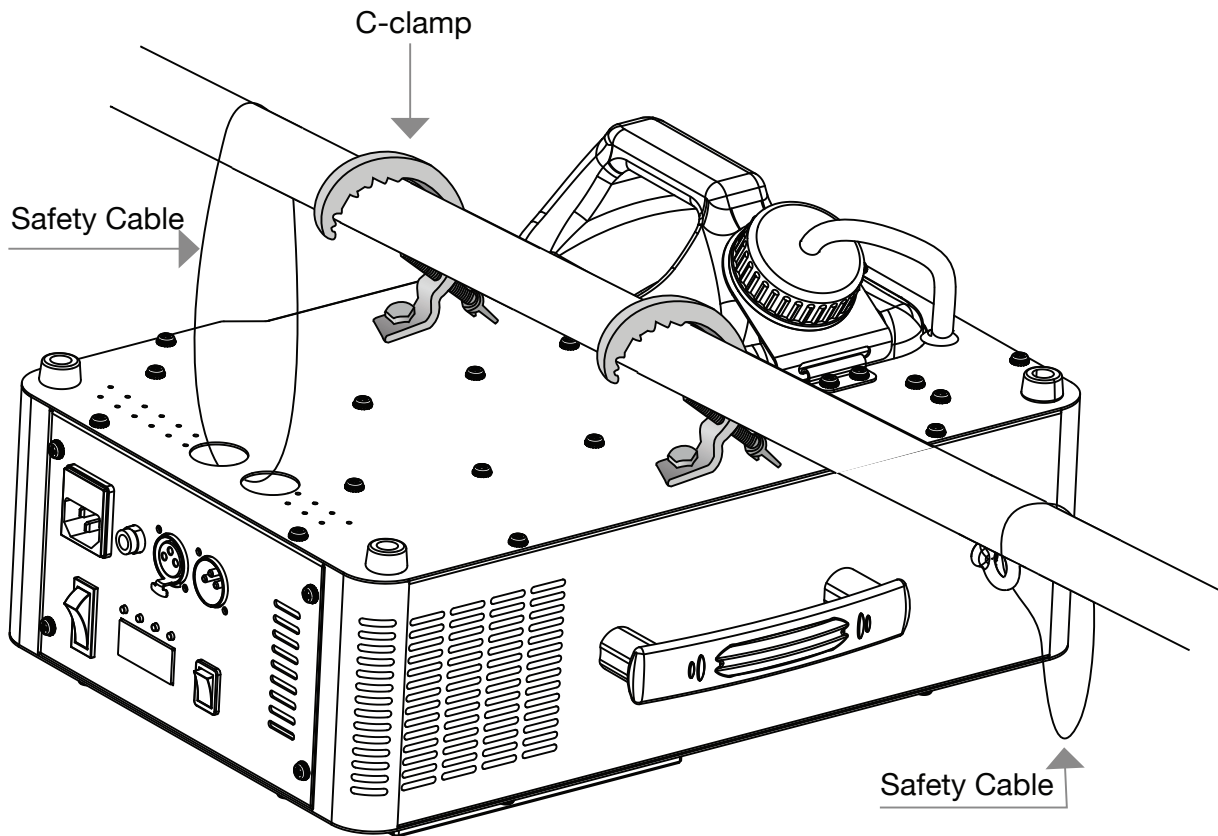
The unit can be mounted in three different orientations: right side up on the floor, sideways with the handle facing up, or suspended upside down from trussing.

When suspending the machine upside down, the tank should be removed and switched to the bottom of the unit so that the tank will remain upright. Follow the steps illustrated below to remove and re-install the tank so that it remains right-side up.

NOTE: Please empty the fog juice from the tank before beginning this procedure.



TRUSS MOUNTING

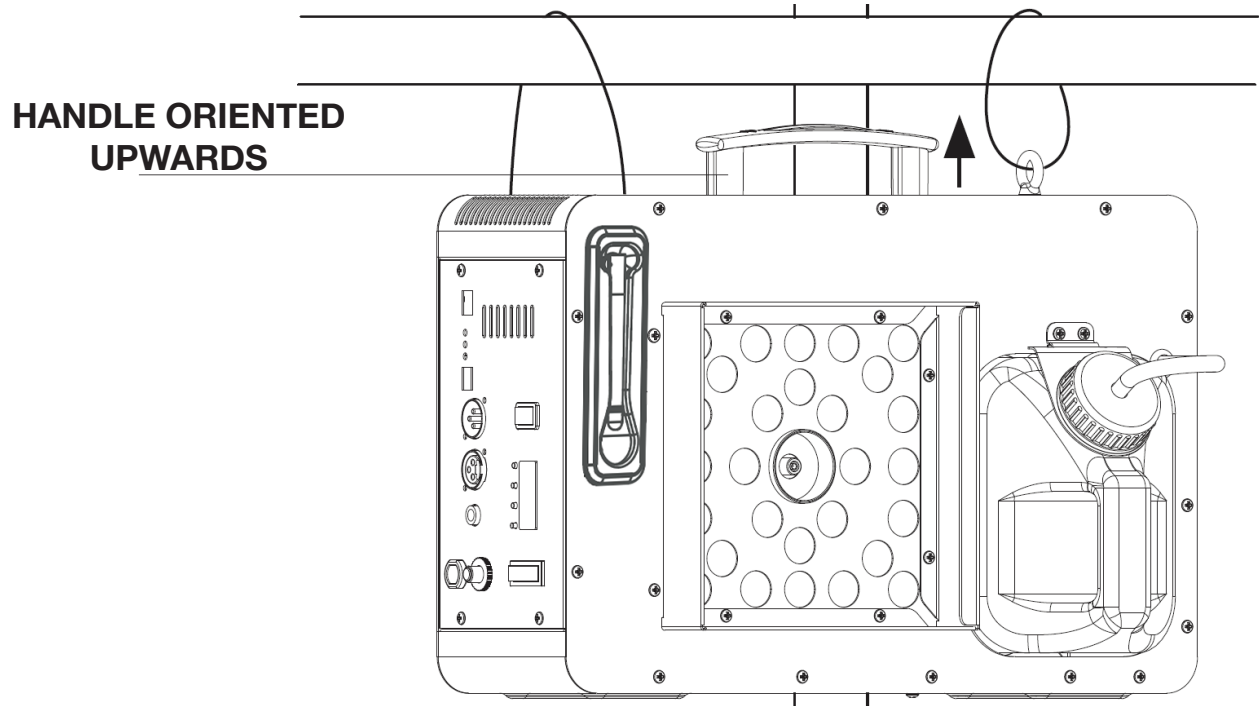


Screw two clamps rated for 15-kg rated or more to the bottom of the unit using an M10 screw. The clamp holes are located on each side of the unit.

Attach the eyehole screw to the side of the base and pull the safety-cable through the eyehole screw and over the trussing system or a safe fixation spot. Insert the end in the carabine and tighten the safety screw.

Use a second safety cable and insert the cable through the safety cable holes located on the bottom of the unit, near the DMX and power ports. Insert the end in the carabine and tighten the safety screw. Refer to the diagram above.

TRUSS MOUNTING



Screw two clamps rated for 15-kg rated or more to the bottom of the unit using an M10 screw. The clamp holes are located on each side of the unit.

Attach the eyehole screw to the side of the base and pull the safety-cable through the eyehole screw and over the trussing system or a safe fixation spot. Insert the end in the carabine and tighten the safety screw.

Use a second safety cable and insert the cable through the safety cable holes located on the bottom panel of the unit, near the DMX and power ports. Insert the end in the carabine and tighten the safety screw. Make sure that the unit is oriented with the carry handle facing upwards, as shown in the diagram above.

WARRANTY REGISTRATION

This fog machine carries a one year (365 days) limited warranty. The LED system carries a two year (730 days) limited warranty. Please fill out the enclosed warranty card to validate your purchase. All returned service items, whether under warranty or not, must be freight pre-paid and accompanied by a return authorization (R.A.) number. The R.A. number must be clearly written on the outside of the return package. A brief description of the problem as well as the R.A. number must also be written down on a piece of paper and included in the shipping container. If the unit is under warranty, you must provide a copy of your proof of purchase invoice. You may obtain an R.A. number by contacting customer support.

TROUBLESHOOTING

If you experience low fog output, pump noise, or no fog output at all, disconnect the device from power and discontinue usage immediately. Do not attempt to continue pushing the remote control's activation button, as this may damage the fog machine. Check the fluid level, the external fuse, and remote connection, and be sure the wall outlet is sending power. If all of these factors do not appear to be the cause of the problem, then the unit will likely require service. Please contact ADJ Products, LLC.

PROPER STORAGE AND MAINTENANCE

Store the device in a cool area, and cover the device so that dust does not build up on the unit. When storing for long periods of time, it is highly advised to run the device at least once every 3-4 months, as long periods of inactivity can severely shorten the life of your machine. Only run water based fog juice through your machine. Never run plain water, vinegar, or any other liquid solution through your machine. Running anything other than water based fog juice will severely damage your device.

WARRANTY

- A. ADJ Products, LLC hereby warrants, to the original purchaser, ADJ Products, LLC products to be free of manufacturing defects in material and workmanship for a prescribed period from the date of purchase (see specific warranty period on reverse). This warranty shall be valid only if the product is purchased within the United States of America, including possessions and territories. It is the owner's responsibility to establish the date and place of purchase by acceptable evidence, at the time service is sought.
- B. For warranty service, you must obtain a Return Authorization number (RA#) before sending the product back—please contact ADJ Products, LLC Service Department at 800-322-6337. Send the product only to the ADJ Products, LLC factory. All shipping charges must be prepaid. If the requested repairs or service (including parts replacement) are within the terms of this warranty, ADJ Products, LLC will pay return shipping charges only to a designated point within the United States. If the entire instrument is sent, it must be shipped in its original package and packaging material. No accessories should be shipped with the product. If any accessories are shipped with the product, ADJ Products, LLC shall incur no liability whatsoever for loss of or damage to any such accessories, nor for the safe return thereof.
- C. This warranty is void if the product serial number and/or labels are altered or removed; if the product is modified in any manner which ADJ Products, LLC concludes, after inspection, affects the reliability of the product; if the product has been repaired or serviced by anyone other than the ADJ Products, LLC factory unless prior written authorization was issued to purchaser by ADJ Products, LLC; if the product is damaged because it was not properly maintained as set forth in the product instructions, guidelines and/or user manual.
- D. This is not a service contract, and this warranty does not include maintenance, cleaning, or periodic checkup. During the period specified above, ADJ Products, LLC will replace defective parts at its expense with new or refurbished parts, and will absorb all expenses for warranty service and repair labor by reason of defects in material or workmanship. The sole responsibility of ADJ Products, LLC under this warranty shall be limited to the repair of the product, or replacement thereof, including parts, at the sole discretion of ADJ Products, LLC. All products covered by this warranty were manufactured after August 15, 2012, and bear identifying marks to that effect.
- E. ADJ Products, LLC reserves the right to make changes in design and/or improvements upon its products without any obligation to include these changes in any products theretofore manufactured.
- F. No warranty, whether expressed or implied, is given or made with respect to any accessory supplied with products described above. Except to the extent prohibited by applicable law, all implied warranties made by ADJ Products, LLC in connection with this product, including warranties of merchantability or fitness, are limited in duration to the warranty period set forth above. And all warranties, whether expressed or implied, including warranties of merchantability or fitness, are limited in duration to the warranty period set forth above. The consumer's and/or dealer's sole remedy shall be such repair or replacement as is expressly provided above; and under no circumstances shall ADJ Product, LLC be liable for any loss and/or damage, direct and/or consequential arising out of the use of, and/or inability to use this product.
- G. This warranty is the only written warranty applicable to ADJ Products, LLC products, and supersedes all prior warranties and written descriptions of warranty terms and conditions heretofore published.

MANUFACTURER'S LIMITED WARRANTY PERIODS:

- Non-LED Lighting Products = 1-Year (365 Days) (Including Special Effect Lighting, Intelligent Lighting, UV lighting, Strobes, Fog Machines, Bubble Machines, Mirror Balls, Par Cans, Trussing, Lighting Stands, Power/Data Distribution, etc. excluding LED and lamps)
- Laser Products = 1-Year (365 Days) (excluding laser diodes which have a 6-Month Limited Warranty)
- LED Products = 2-Year (730 Days) (excluding batteries which have a 180 Day Limited Warranty)
- NOTE: 2-Year (730 Days) Limited Warranty ONLY applies to product purchased within the United States. StarTec Series = 1-Year (365 Days) (excluding batteries which have a 180 Day Limited Warranty)
- ADJ DMX Controllers = 2 Year (730 Days)
- American Audio Products = 1 Year (365 Days)

SPECIFICATIONS

Model:	Fog Fury Jett Pro
Voltage*:	120V or 230V, 50/60Hz
LEDs:	28 x 3-Watt LEDs (6 red, 7 green, 6 blue, 3 amber, 6 UV)
Heater:	1450W
Power Consumption:	1550W
Weight:	21 Lbs / 9.5 Kgs
Dimensions:	16.5" x 12.5" x 8" 419mm x 315mm x 206mm
Breaker:	16A (120V) / 10A (230V)
Warm Up Time:	9 Minutes
Tank Capacity:	2.5 Liters
Fluid Consumption:	150 mL/min
Output:	40,000 cubic feet per minute
Fluid Type:	Water Based ADJ Fog Juice
DMX Channels:	5 DMX Channel Modes - 1, 2, 3, 7, or 9-channels
Duty Cycle:	Not to exceed 6 hours continuously powered on
Warranty:	1 Year (365 days) for fog machine 2 Years (730 days) for LEDs

**Voltage is pre-set at the factory and cannot be changed.*

ADJ Products, LLC
6122 S. Eastern Ave. Los Angeles, CA 90040 USA
Tel: 323-582-2650 / Fax: 323-725-6100
Web: www.adj.com / E-mail: info@adj.com

Follow Us!



[Facebook.com/adjlighting](https://www.facebook.com/adjlighting)
[YouTube.com/adjlighting](https://www.youtube.com/adjlighting)

[Twitter.com/adjlighting](https://twitter.com/adjlighting)
[Instagram: adj_lighting](https://www.instagram.com/adj_lighting)

A.D.J. Supply Europe B.V.
Junostraat 2
6468 EW Kerkrade
The Netherlands
service@adjgroup.eu / www.adj.eu
Tel: +31 45 546 85 00 / Fax: +31 45 546 85 99

